

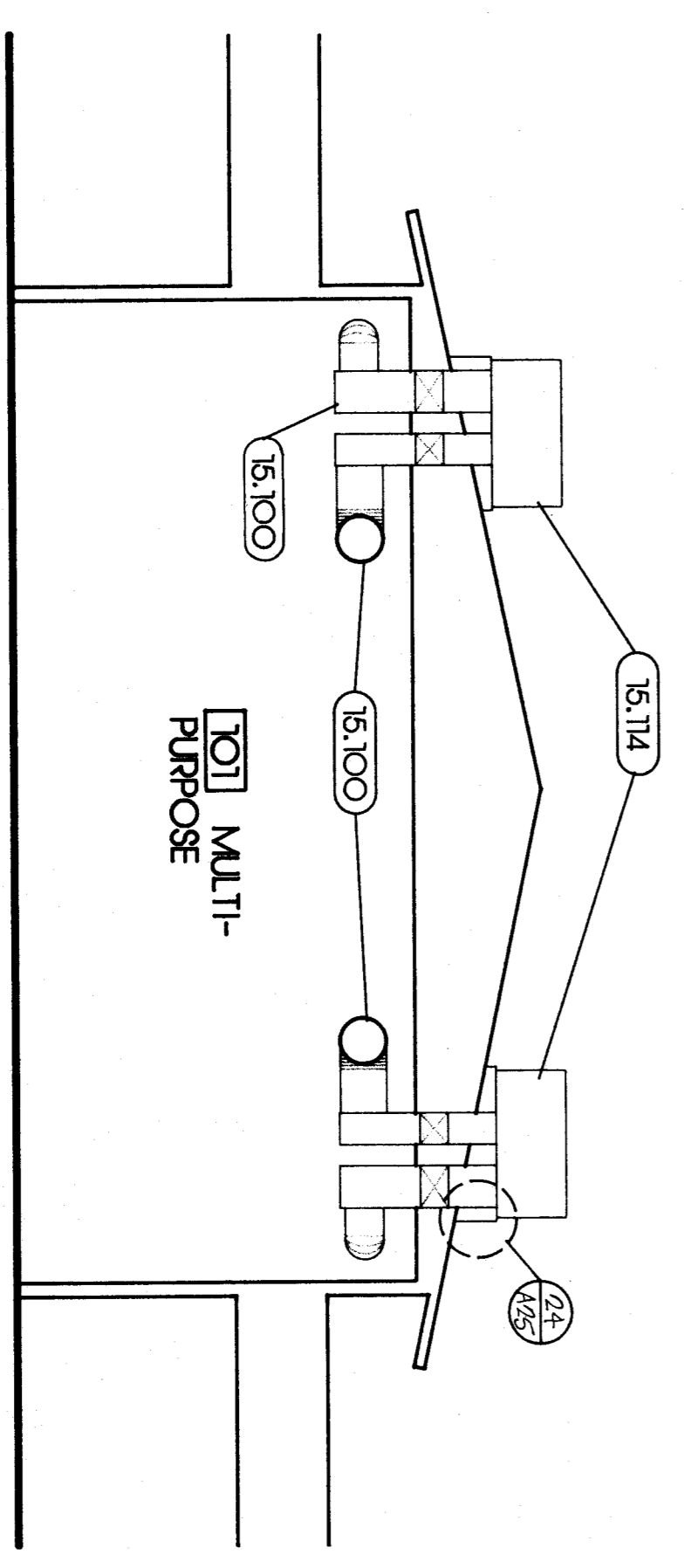
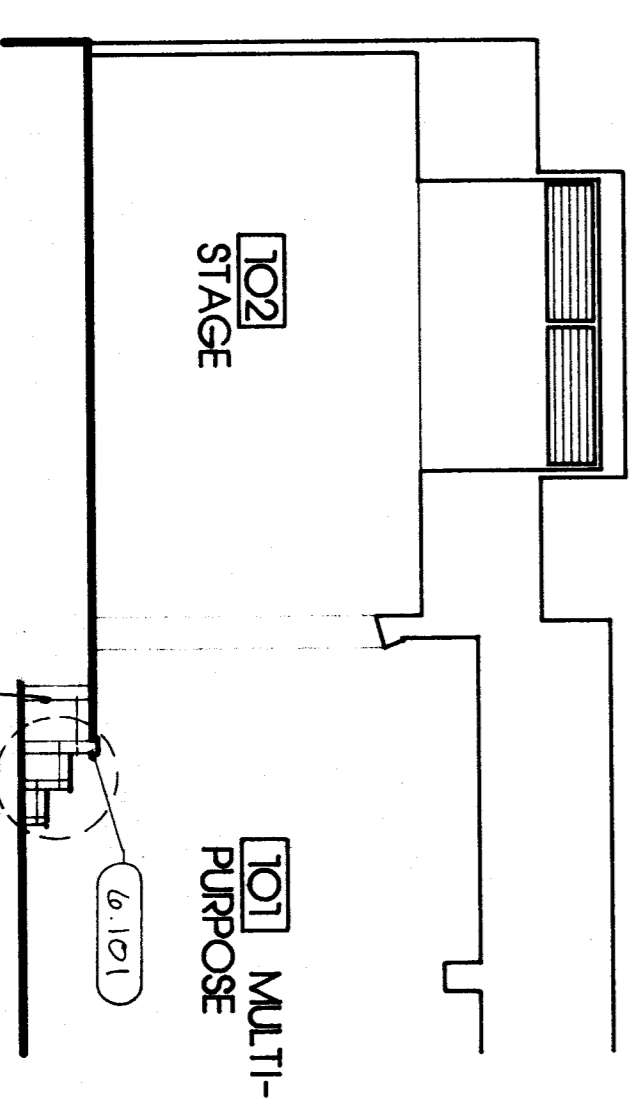
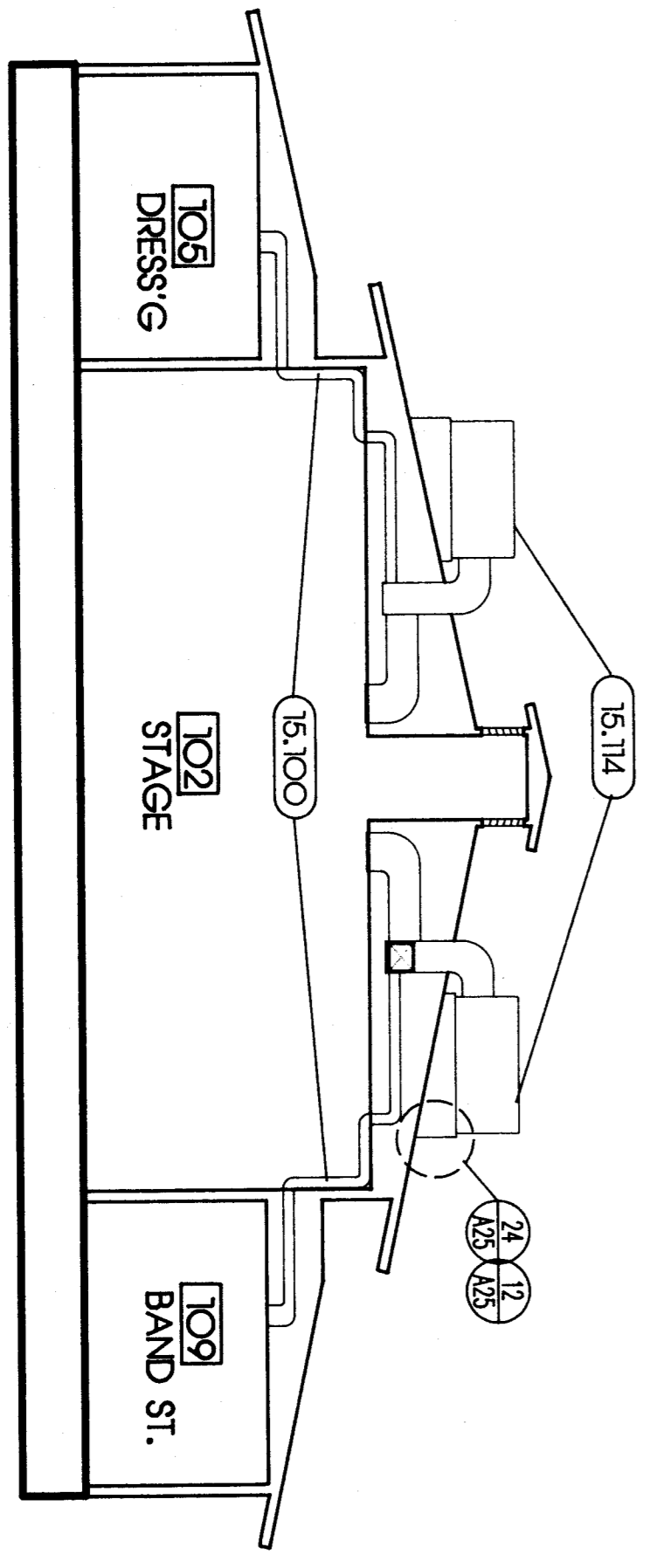
KEYNOTES

- 2.103 REMOVE (E) PLYWOOD 02072
- 2.118 REMOVE (E) DOOR & FRAME 02072
- 2.119 REMOVE (E) VENT REGISTER 02072
- 2.114 REMOVE (E) VENT REGISTER 02072
- 2.174 LINE UP (E) TRAIL/LGT STACKS -
- 6.101 GOOD FRAMED RISERS; MATCH (E) 06001
- 6.102 REPAIR (E) WINDOW & SCREEN TO 06300
- 6.107 ORIGINAL CONDITION AS REQ'D 06001
- 616" O.C. OPEN G W/2x6 STUDS 06001
- 9.100 PORTLAND CEMENT PLASTER TO 09220
- MATCH (E) -
- 15.100 EXPOSED MECH'L DUCTWORK; 15800
- PLANS TRMS; ETC.; SEE MECH'L.
- 15.114 HVAC UNITS; SEE MECHANICAL PLANS

EXTERIOR ELEVATIONS

BUILDING A

SEE SHEET NO. A13 FOR CONT.



1/8" = 1'-0"

SECTION

(A)

(B)

(C)

1/4" = 1'-0"

1/8" = 1'-0"

pechin associates architects aia
 1400 easton drive suite 138 bakersfield, ca 93309 (805) 322-2021
 Project Number: 435-0788
 Revision Date: 02/01/89

BESSIE E OWENS SCHOOL MODERIZATION BAKERSFIELD CITY SCHOOL DISTRICT

DATE	ISSUE FOR
DATE	REVISION

THESE DRAWINGS, RELATED SPECIFICATIONS, IDEAS, DESIGNS, AND ARRANGEMENTS REPRESENTED THEREBY ARE AND SHALL REMAIN THE PROPERTY OF THE ARCHITECT; AND NO PART THEREOF SHALL BE COPIED, DISCLOSED TO OTHERS OR USED IN CONNECTION WITH ANY WORK OR PROJECT, OTHER THAN THE SPECIFIC PROJECT FOR WHICH THEY HAVE BEEN PREPARED AND DEVELOPED WITHOUT THE WRITTEN CONSENT OF THE ARCHITECT. VISUAL CONTACT WITH THESE DRAWINGS OR SPECIFICATIONS SHALL CONSTITUTE CONCLUSIVE EVIDENCE OF ACCEPTANCE OF THESE RESTRICTIONS.

WRITTEN DIMENSIONS ON THESE DRAWINGS SHALL HAVE PRECEDENCE OVER SCALED DIMENSIONS; CONTRACTORS SHALL VERIFY AND BE RESPONSIBLE FOR ALL DIMENSIONS AND CONDITIONS ON THE JOB AND THIS OFFICE MUST BE NOTIFIED OF ANY VARIATIONS FROM THE DIMENSIONS AND CONDITIONS SHOWN BY THOSE DRAWINGS.

DETAILED SHOP DRAWINGS MUST BE SUBMITTED TO THIS OFFICE FOR REVIEW BEFORE PROCEEDING WITH THE FABRICATION OF ANY PRODUCT TO BE INCLUDED IN THIS PROJECT.