



INTELLECTUAL PROPERTY & PROPRIETARY RIGHTS STATEMENT
COPYRIGHT © AMERICAN MODULAR SYSTEMS (AMS) AND OWNS ALL COPYRIGHT AND OTHER INTELLECTUAL PROPERTY AND PROPRIETARY RIGHTS IN THESE DRAWINGS, SPECIFICATIONS, AND MATERIALS. NO PART OF THESE DRAWINGS, SPECIFICATIONS, OR MATERIALS MAY BE REPRODUCED, TRANSMITTED, COPIED, OR OTHERWISE DISCLOSED OR USED IN ANY MANNER WITHOUT THE WRITTEN PERMISSION OF AMS. THESE DRAWINGS, SPECIFICATIONS, AND MATERIALS CONTAINED HEREIN MAY NOT BE REPRODUCED, TRANSMITTED, COPIED, OR OTHERWISE DISCLOSED OR USED IN ANY MANNER WITHOUT THE WRITTEN PERMISSION OF AMS. THE MATERIALS CONTAINED HEREIN MAY NOT BE USED IN CONNECTION WITH THE CONSTRUCTION, DESIGN, OR OTHER WORK OF ANY KIND, INCLUDING BUT NOT LIMITED TO ARCHITECTURAL, ENGINEERING, OR OTHER PROFESSIONAL SERVICES, WITHOUT THE WRITTEN PERMISSION OF AMS. ANY REPRODUCTION OR USE OF THESE DRAWINGS, SPECIFICATIONS, OR MATERIALS WITHOUT THE WRITTEN PERMISSION OF AMS SHALL BE CONSIDERED AS VIOLATION OF AMS' COPYRIGHT OR OTHER INTELLECTUAL PROPERTY OR PROPRIETARY RIGHTS.

PRE-CHECKED SET NAME

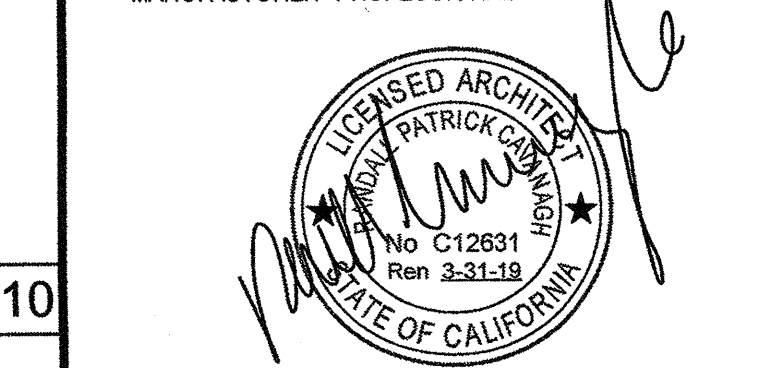
**24'x40' THRU 120'x40'
HIGH PITCH MODULAR
BUILDINGS**

SITE SPECIFIC PROJECT NAME

SHEET TITLE

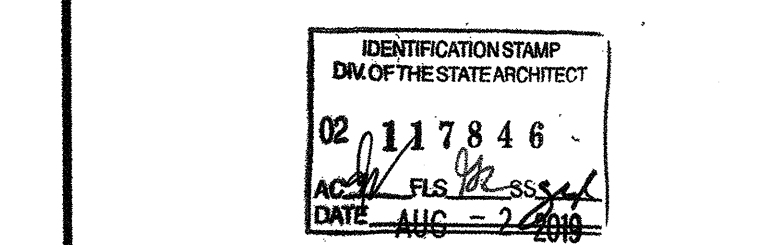
**PLUMBING DETAILS
&
ACCESSIBLE DETAILS**

MANUFACTURER PROFESSIONAL OF RECORD ON PC

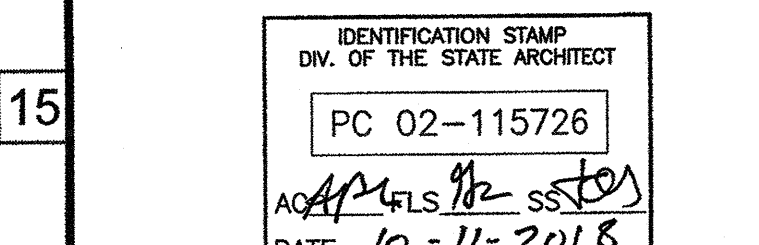


THESE DRAWINGS ARE PRELIMINARY AND NOT FOR CONSTRUCTION UNLESS STAMPED & SIGNED BY THE ENGINEER OF RECORD.

PROJECT SPECIFIC STATE AGENCY APPROVAL



ORIGINAL PC STATE AGENCY APPROVAL



PRE-CHECK (PC) DOCUMENT
CODE 2016 CBC
A SEPARATE PROJECT APPLICATION FOR CONSTRUCTION IS REQUIRED

REVISIONS

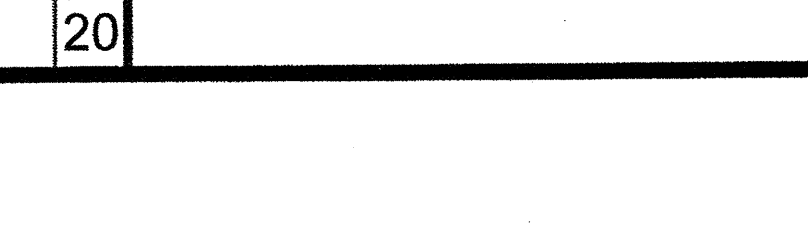
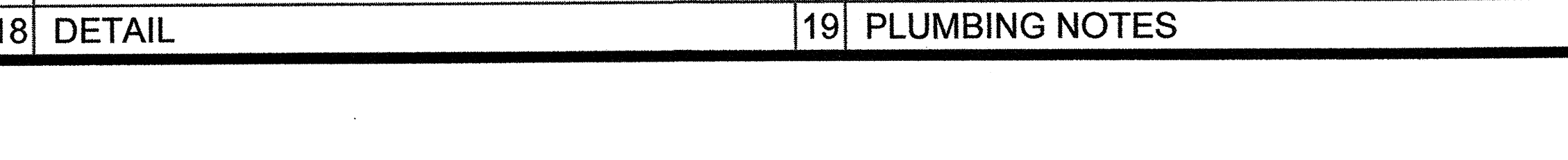
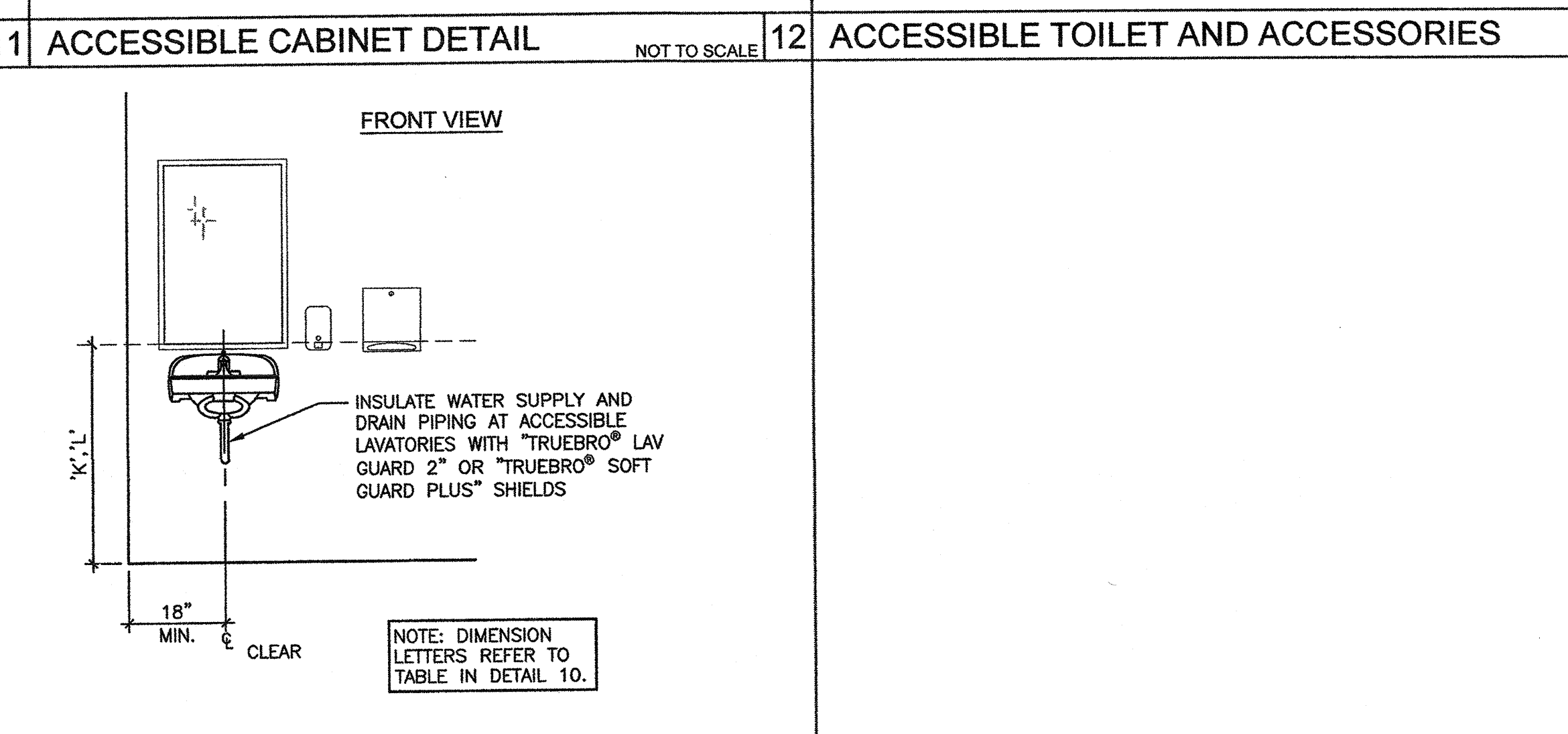
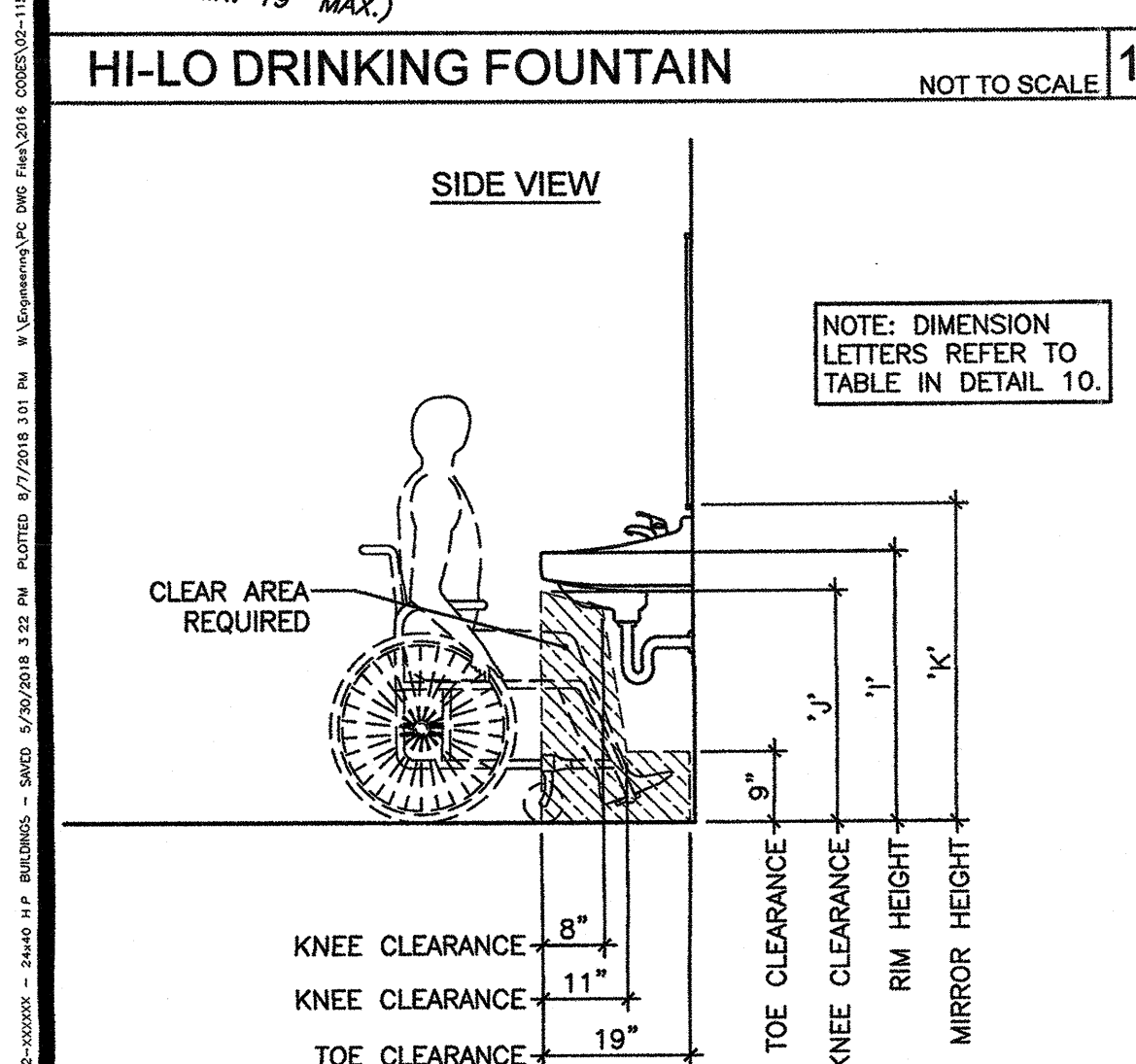
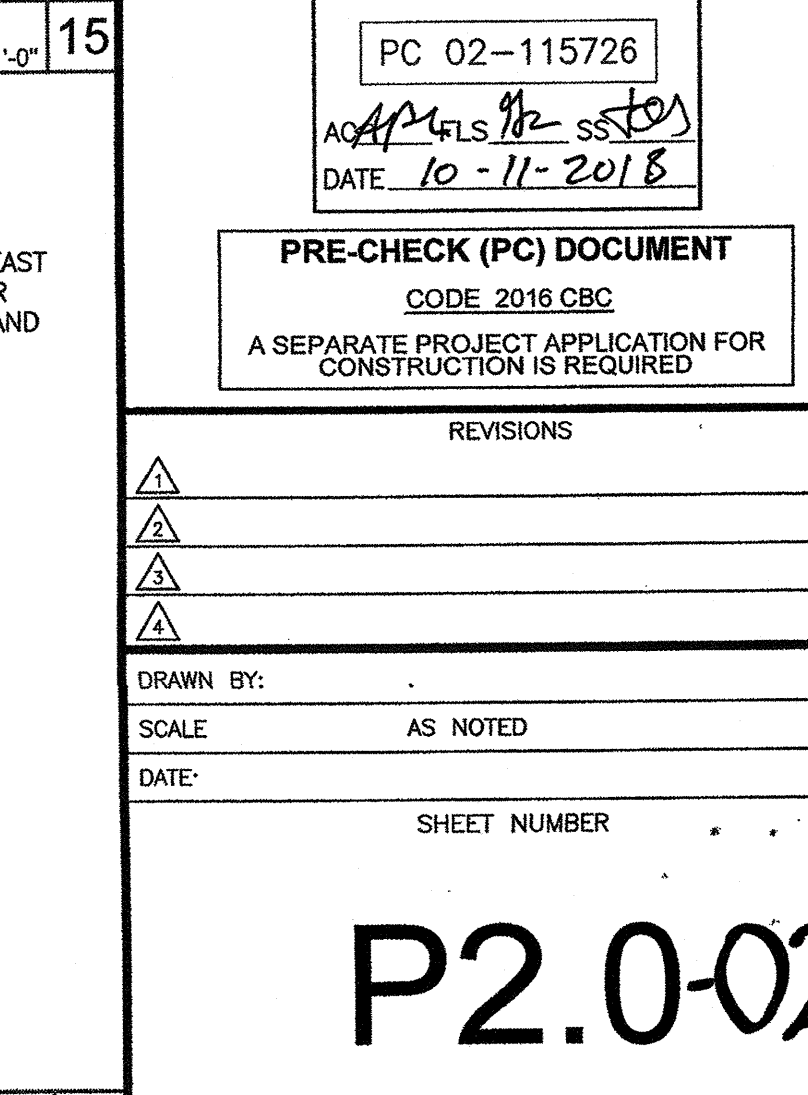
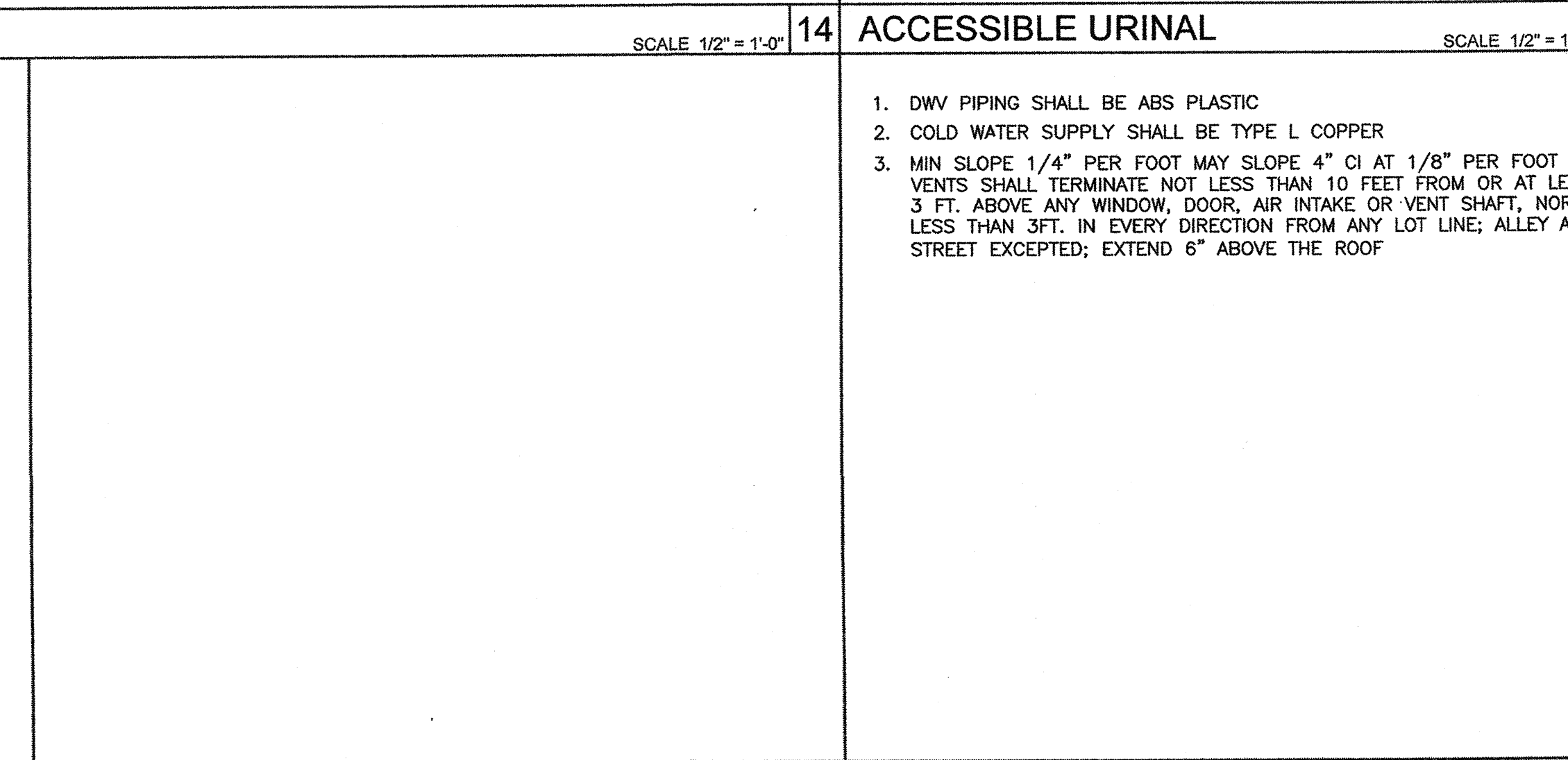
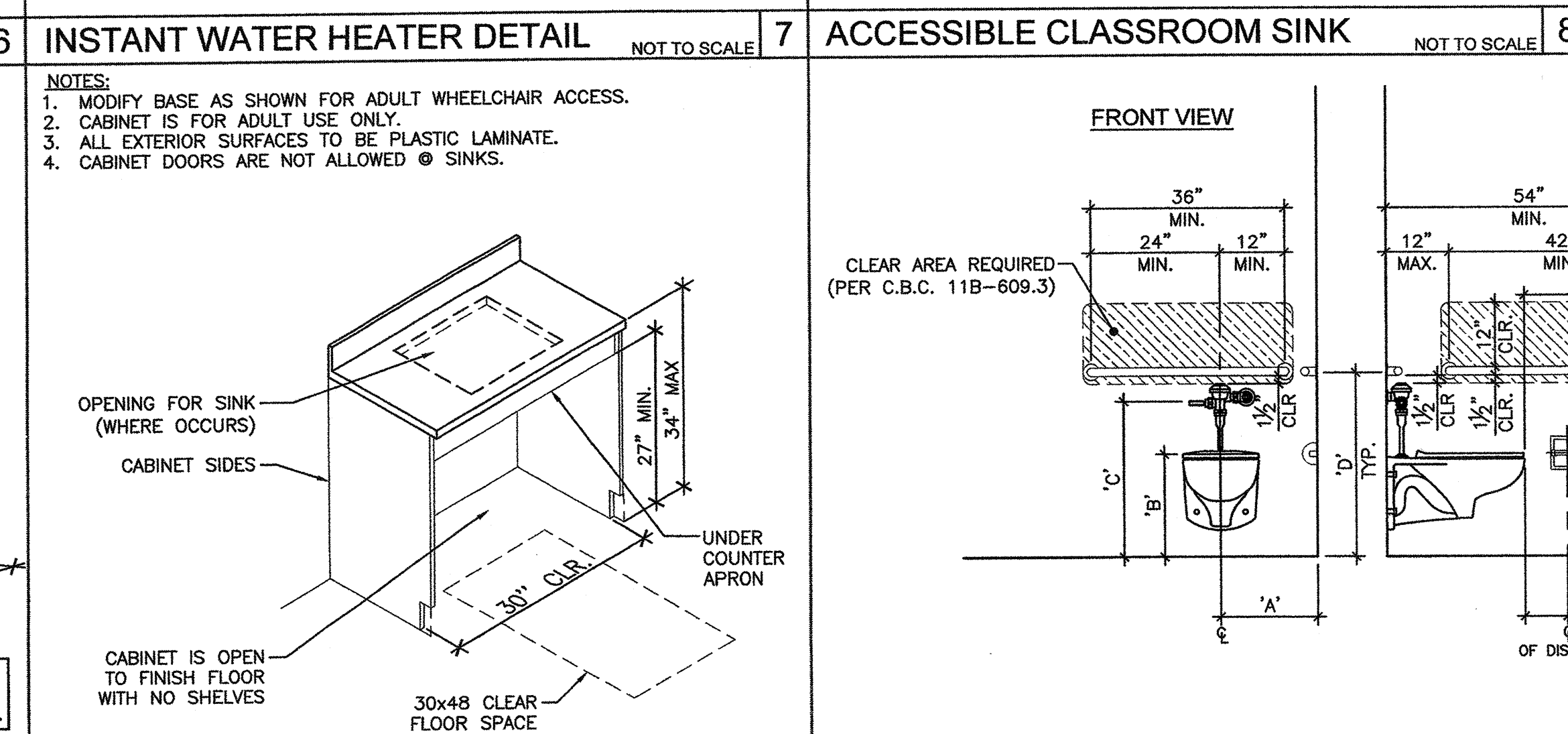
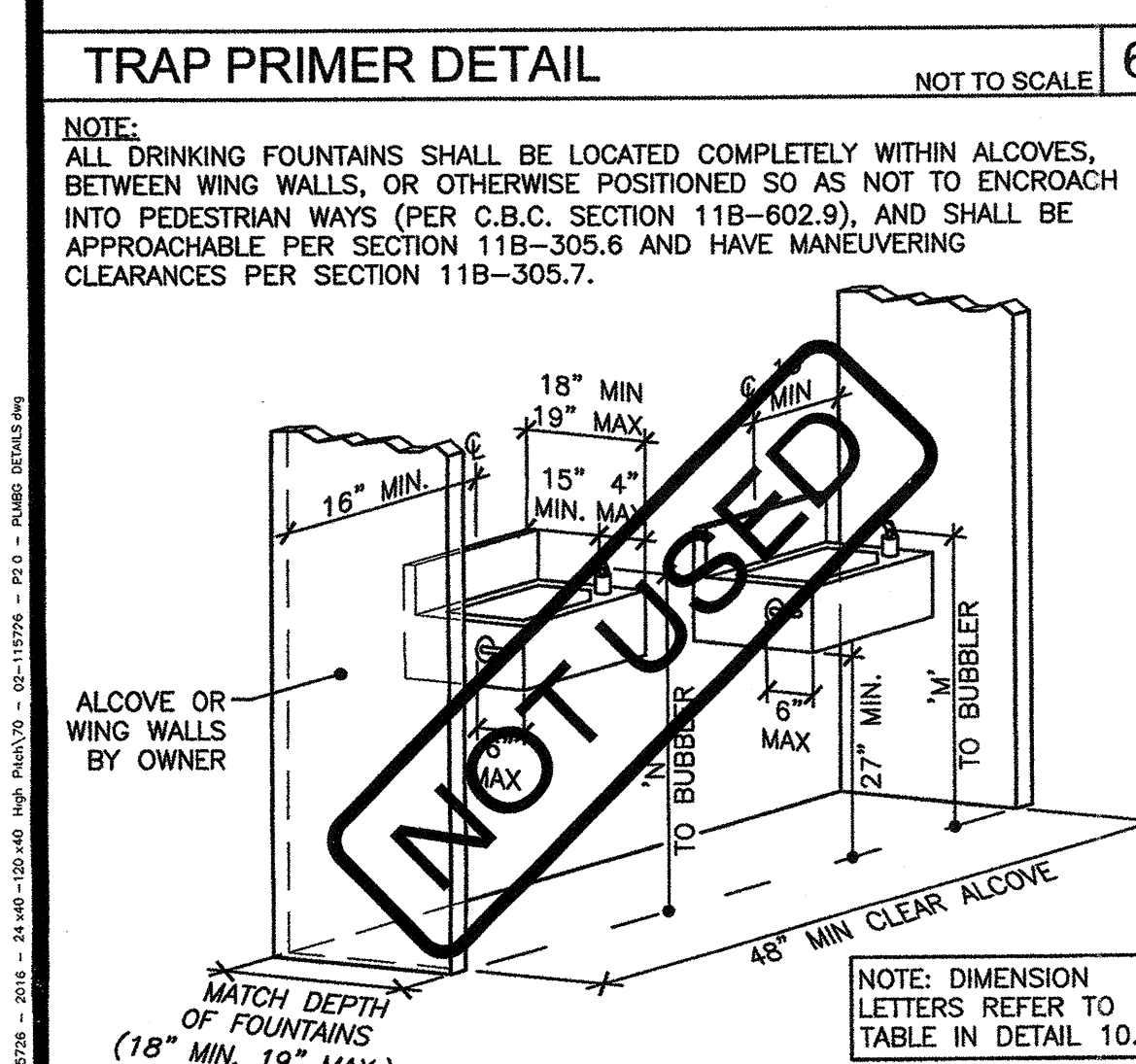
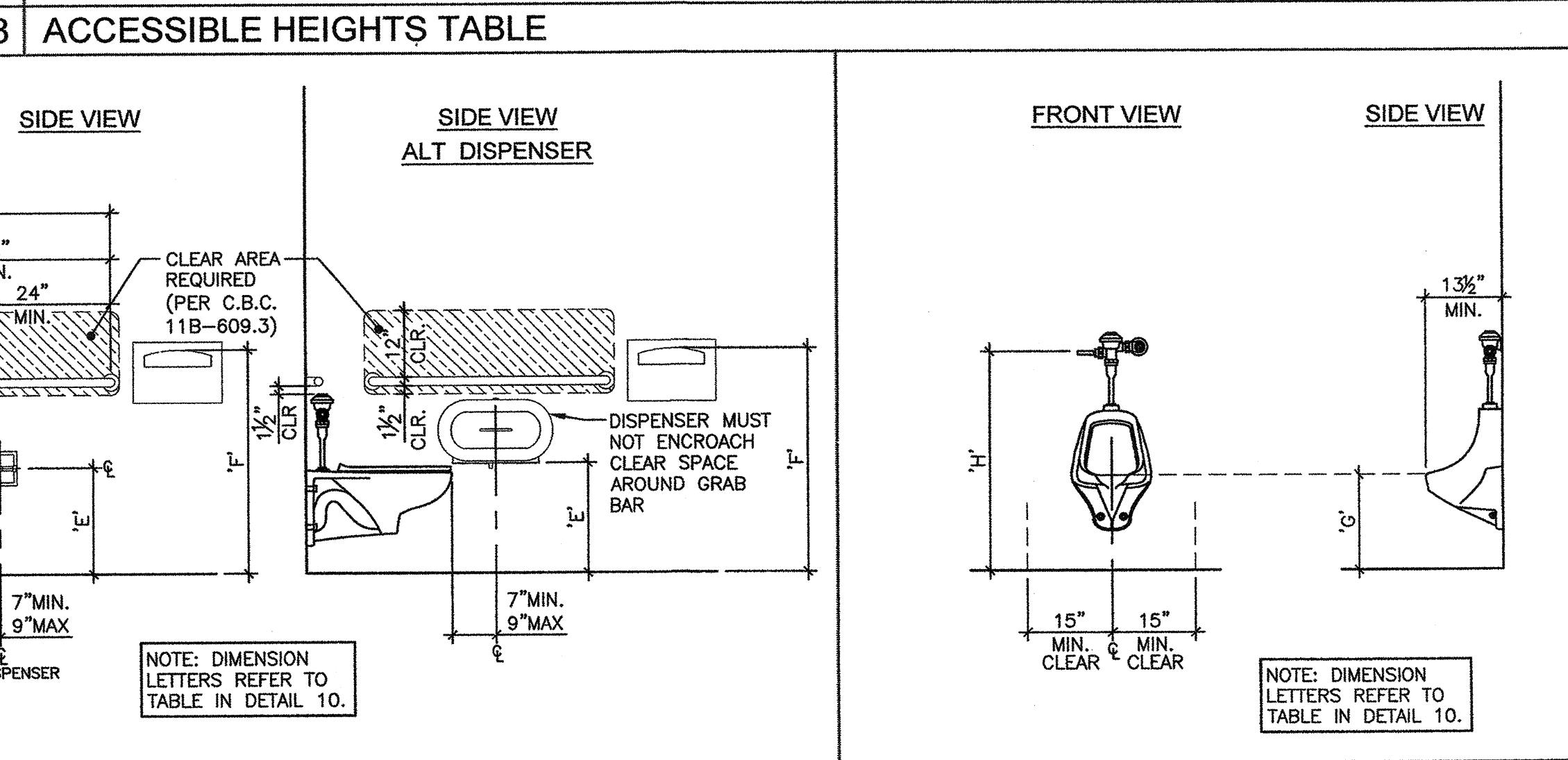
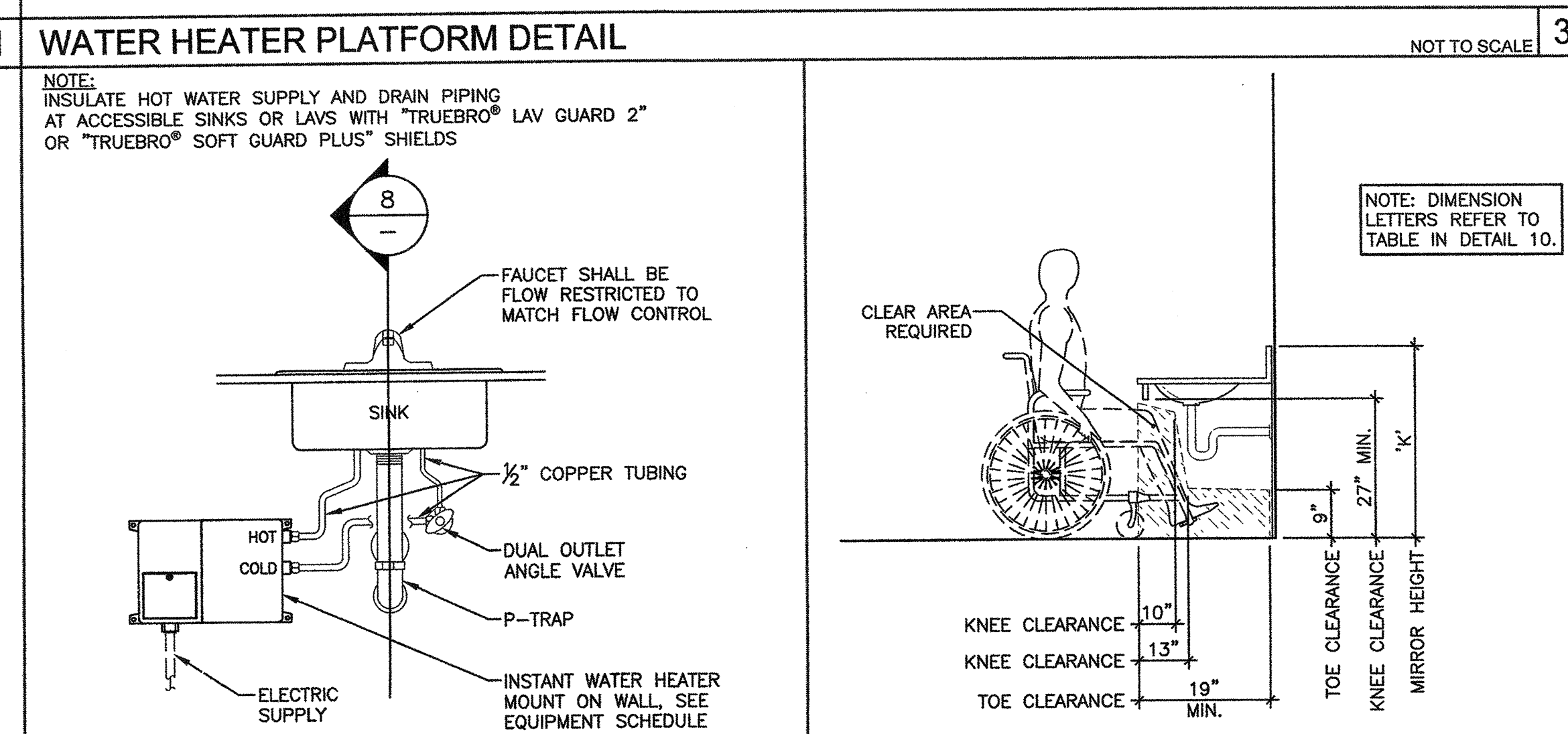
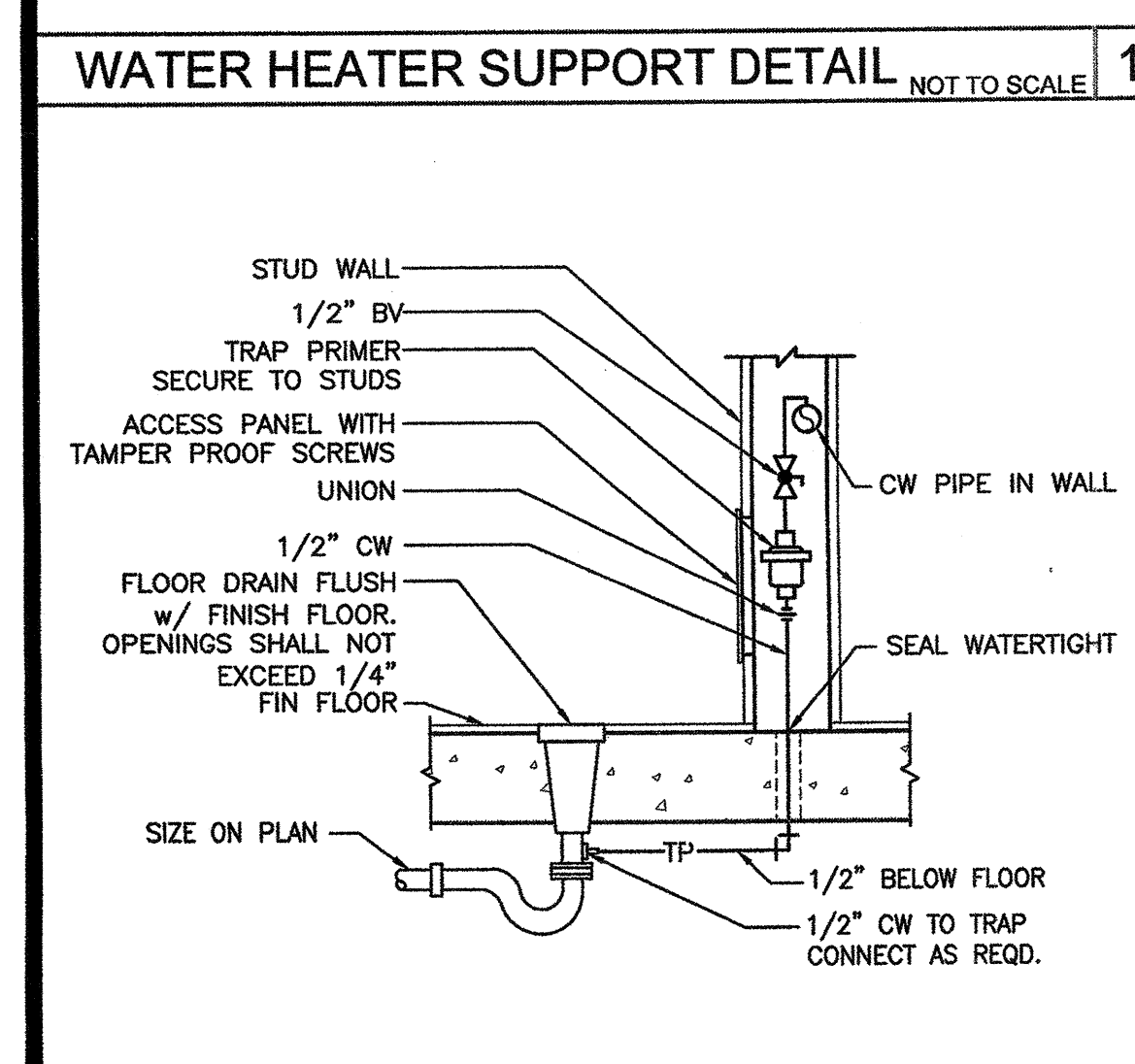
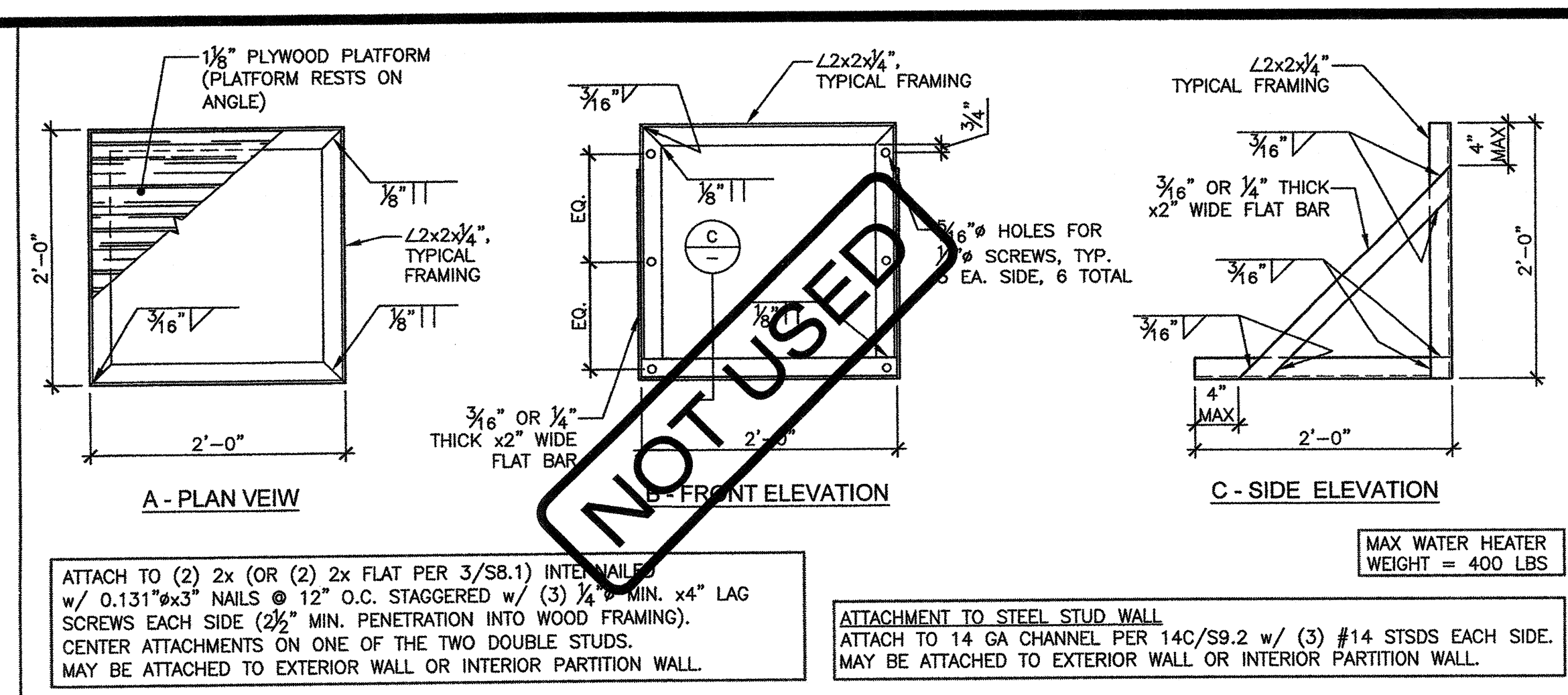
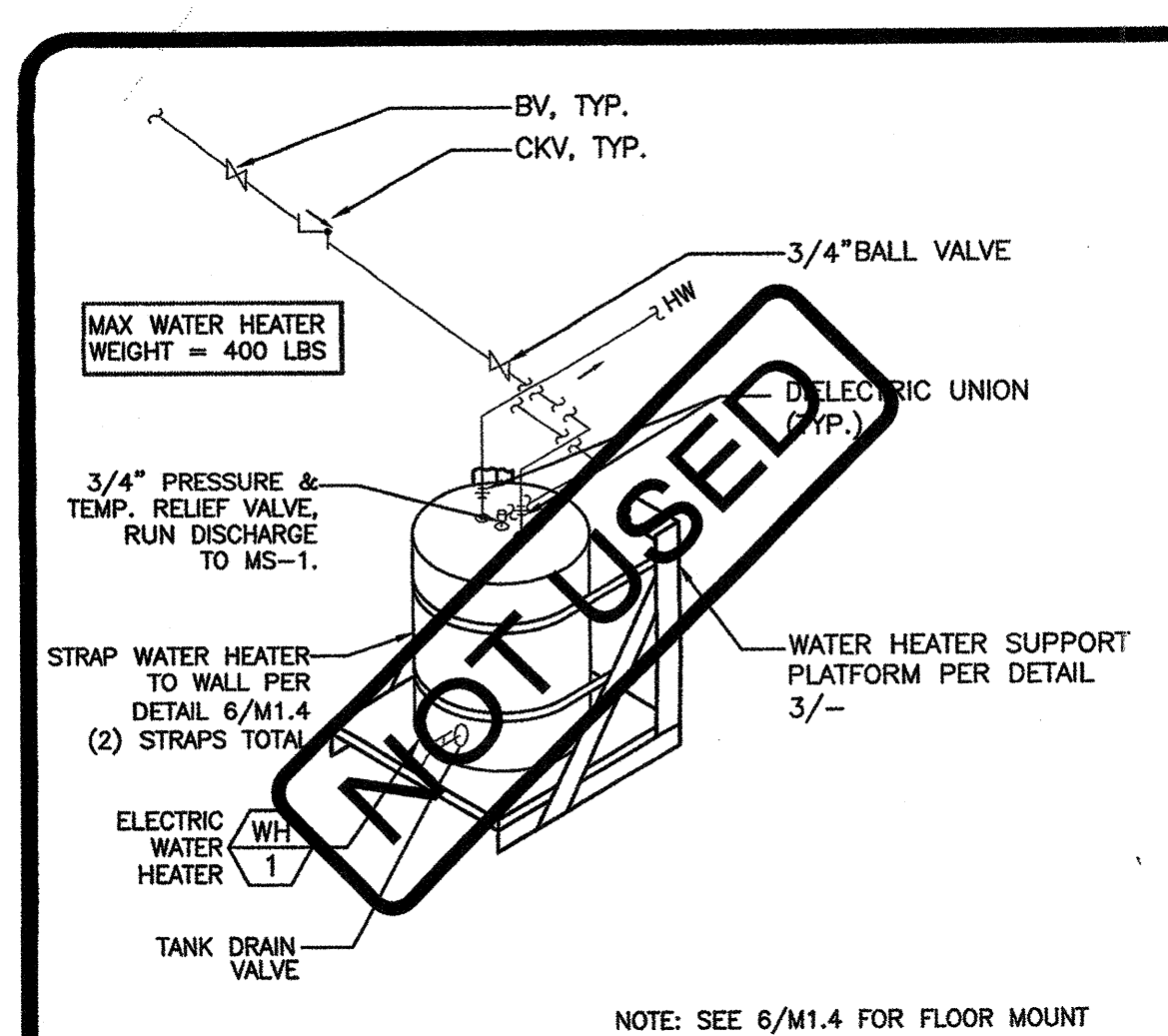
DRAWN BY:
SCALE: AS NOTED
DATE:

SHEET NUMBER

HEIGHTS FOR ACCESSIBLE FEATURES IN TOILET FACILITIES

FIXTURE & MEASUREMENT POINT	PRIMARY USERS				NOTES
	AGES 3-4	AGES 5-8	AGES 9-12	AGES 13-ADULT	
A TOILET, CENTERLINE FROM FACE OF WALL	12" SUGGESTED	12" TO 15" SUGGESTED	15" TO 18" SUGGESTED	17" MIN TO 18" MAX	
B TOILET, TOP OF SEAT HEIGHT	11" TO 12" SUGGESTED	12" TO 15" SUGGESTED	14" TO 17" SUGGESTED	17" MIN TO 19" MAX	
C TOILET, TOP OF FLUSH CONTROLS	36" MAX	36" MAX	36" MAX	44" MAX	FLUSH CONTROLS SHALL BE LOCATED ON OPEN SIDE OF TOILET
D GRAB BAR, TOP OF BAR	18" TO 20" SUGGESTED	20" TO 28" SUGGESTED	25" TO 27" SUGGESTED	33" MIN TO 36" MAX	
E TOILET PAPER DISPENSER, HEIGHT TO OUTLET	14" SUGGESTED	14" TO 17" SUGGESTED	17" TO 19" SUGGESTED	19" MIN	CENTERLINE OF DISPENSER OUTLET SHALL BE BETWEEN 7" TO 9" IN FRONT OF THE TOILET OUTLET OF DISPENSER MUST BE BELOW GRAB BAR DISPENSER (INCLUDING FULL TOILET PAPER ROLL) MUST NOT ENCRoACH INTO RECD GRAB BAR CLEARANCE
F TOILET SEAT COVER, HEIGHT TO TOP OF OUTLET	24" TO 32" SUGGESTED	30" TO 32" SUGGESTED	32" TO 36" SUGGESTED	40" MAX	
G URINAL, LIP HEIGHT	12" TO 13" SUGGESTED	13" TO 15" SUGGESTED	15" TO 17" SUGGESTED	17" MAX	
H URINAL, HEIGHT OF FLUSH HANDLE	36" MAX	36" MAX	36" MAX	44" MAX	
I LAVATORY, HEIGHT TO HIGHEST POINT AT FRONT OF LAV OR COUNTER	24" TO 28" SUGGESTED	31" MAX	31" MAX	34" MAX	
J LAVATORY, VERTICAL KNEE CLEARANCE	24" MIN	24" MIN	24" MIN	29" 27" OVER THE 8" DEPTH SHOWN	
K MIRROR (ABOVE LAVATORY OR COUNTERTOP), LOWEST POINT OF REFLECTIVE SURFACE	24" TO 32" SUGGESTED	30" TO 32" SUGGESTED	32" TO 36" SUGGESTED	40" MAX	MIRROR NOT LOCATED ABOVE LAVATORY OR COUNTERTOP SHALL BE MOUNTED SO THAT LOWEST EDGE OF REFLECTIVE SURFACE IS 36" MAX ABOVE FINISH FLOOR
L DISPENSERS, DRYERS, HEIGHT TO TOP OF OUTLET, HANDLE OR OPERATING MECHANISM (WHICHEVER IS HIGHEST)	24" TO 32" SUGGESTED	30" TO 32" SUGGESTED	32" TO 36" SUGGESTED	40" MAX	
M HI DRINKING FOUNTAIN, HEIGHT TO BUBBLER	24" TO 30" SUGGESTED	27" TO 32" SUGGESTED	27" TO 36" SUGGESTED	36" MAX	
N HI DRINKING FOUNTAIN, HEIGHT TO BUBBLER	same as ADULT	same as ADULT	same as ADULT	36" MIN TO 43" MAX	

NOTES:
1 THIS TABLE AND RELATED DIAGRAMS ILLUSTRATE THE SPECIFIC REQUIREMENTS OF CALIF TITLE 24 (2013 C B C SECTION 11B-601) AND IS SHOWN HERE ONLY AS AN AID FOR CONSTRUCTION AND INSTALLATION
2 ACCESSORIES ARE NOT IN MANUFACTURERS SCOPE OF WORK
3 DIMENSIONS GIVEN ARE FROM FACE OF FINISH, UNLESS OTHERWISE NOTED
4 NOT ALL ITEMS LISTED MAY OCCUR IN THE PROJECT
5 HEIGHTS CHOSEN FOR CHILDREN'S WATER CLOSETS & ACCESSORIES SHALL BE CONSISTENTLY APPLIED FOR THE AGE GROUP



P2.0-02