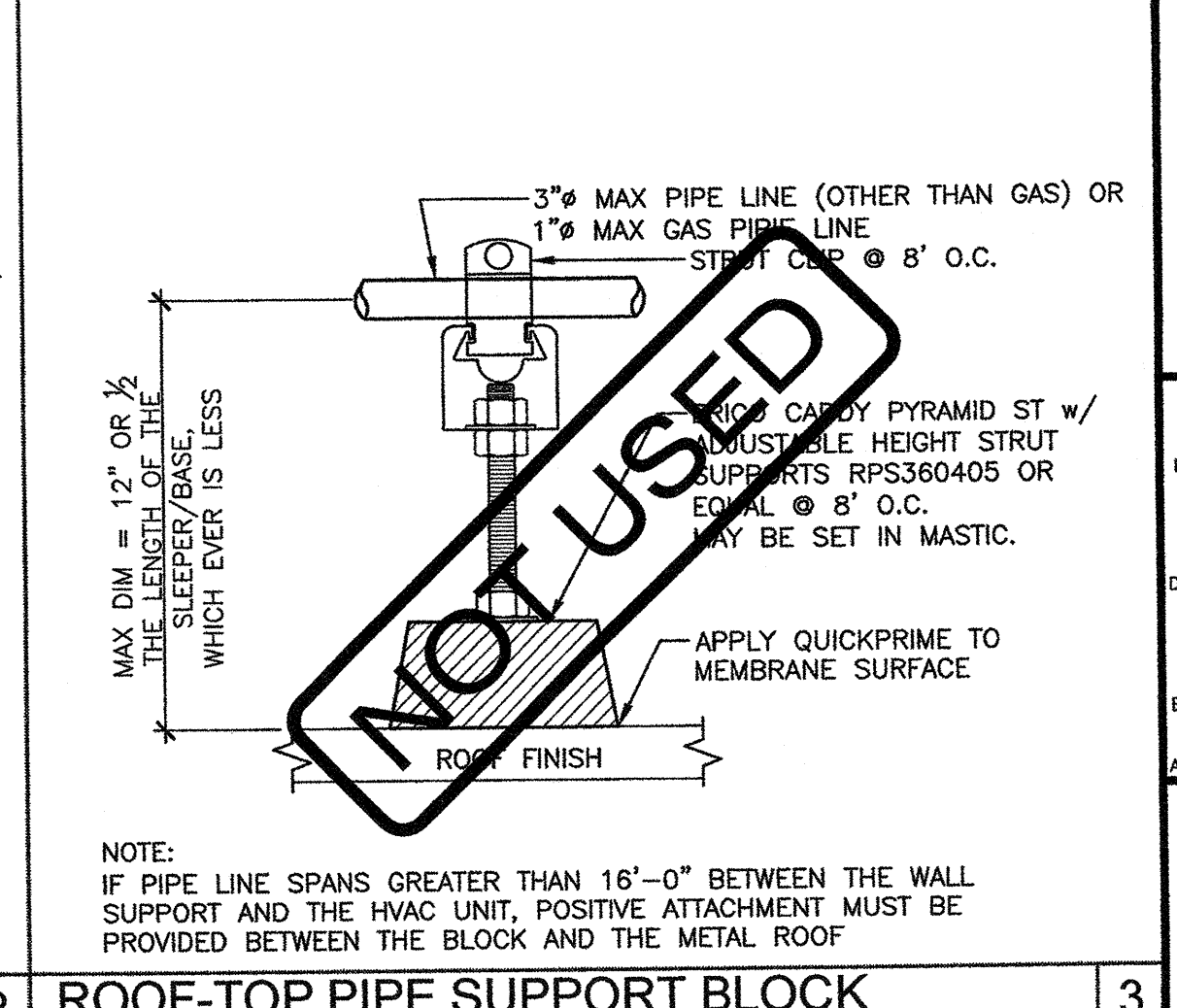
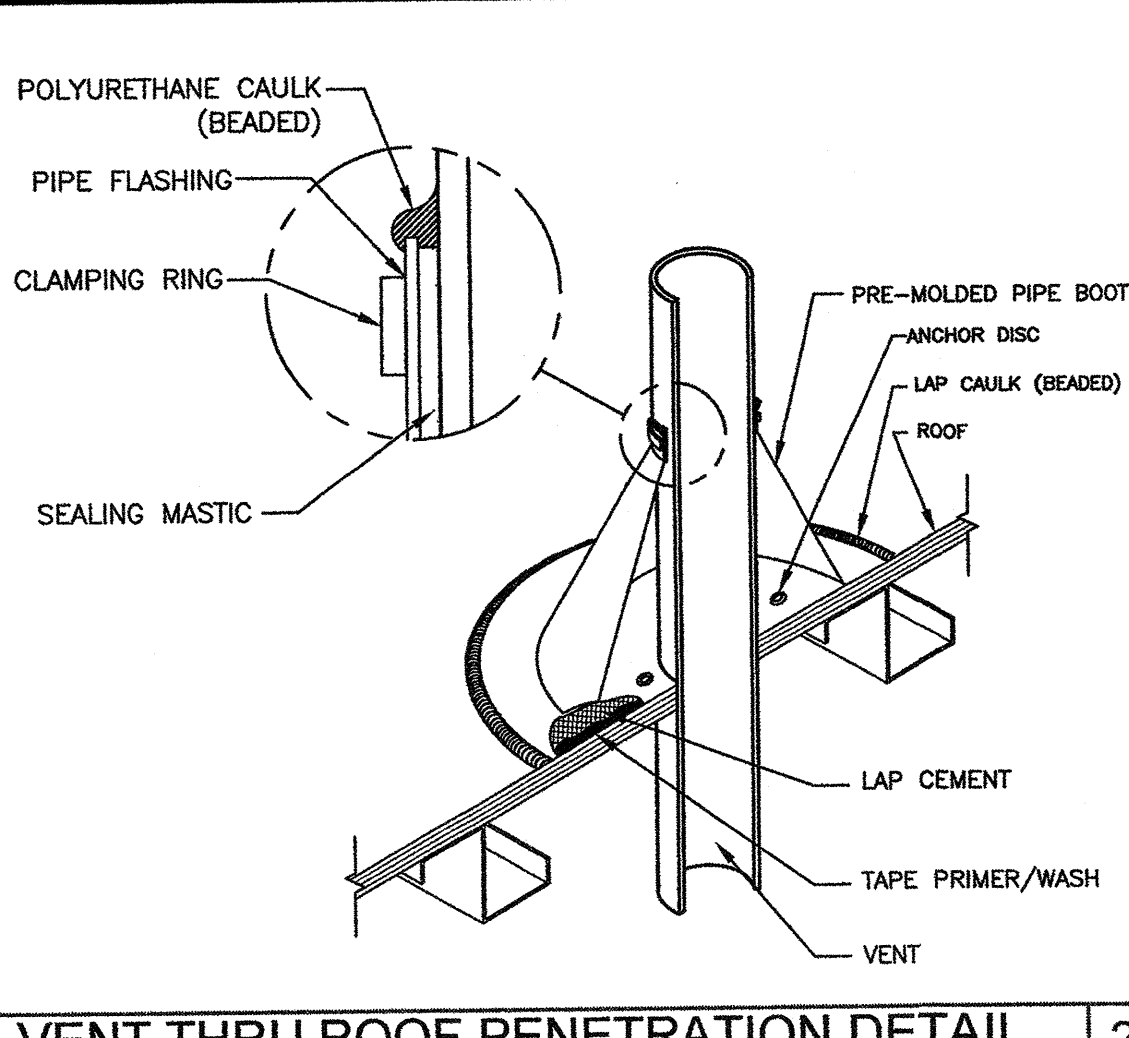
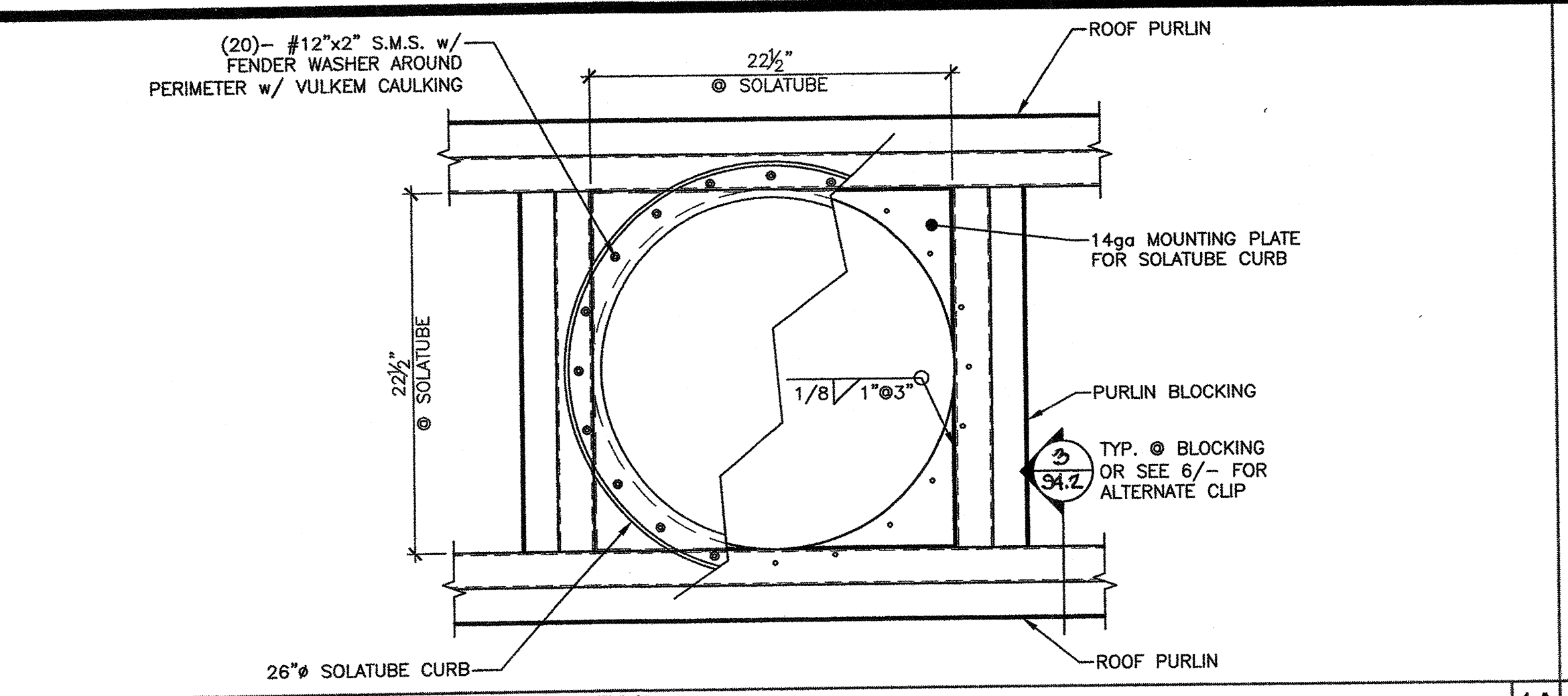
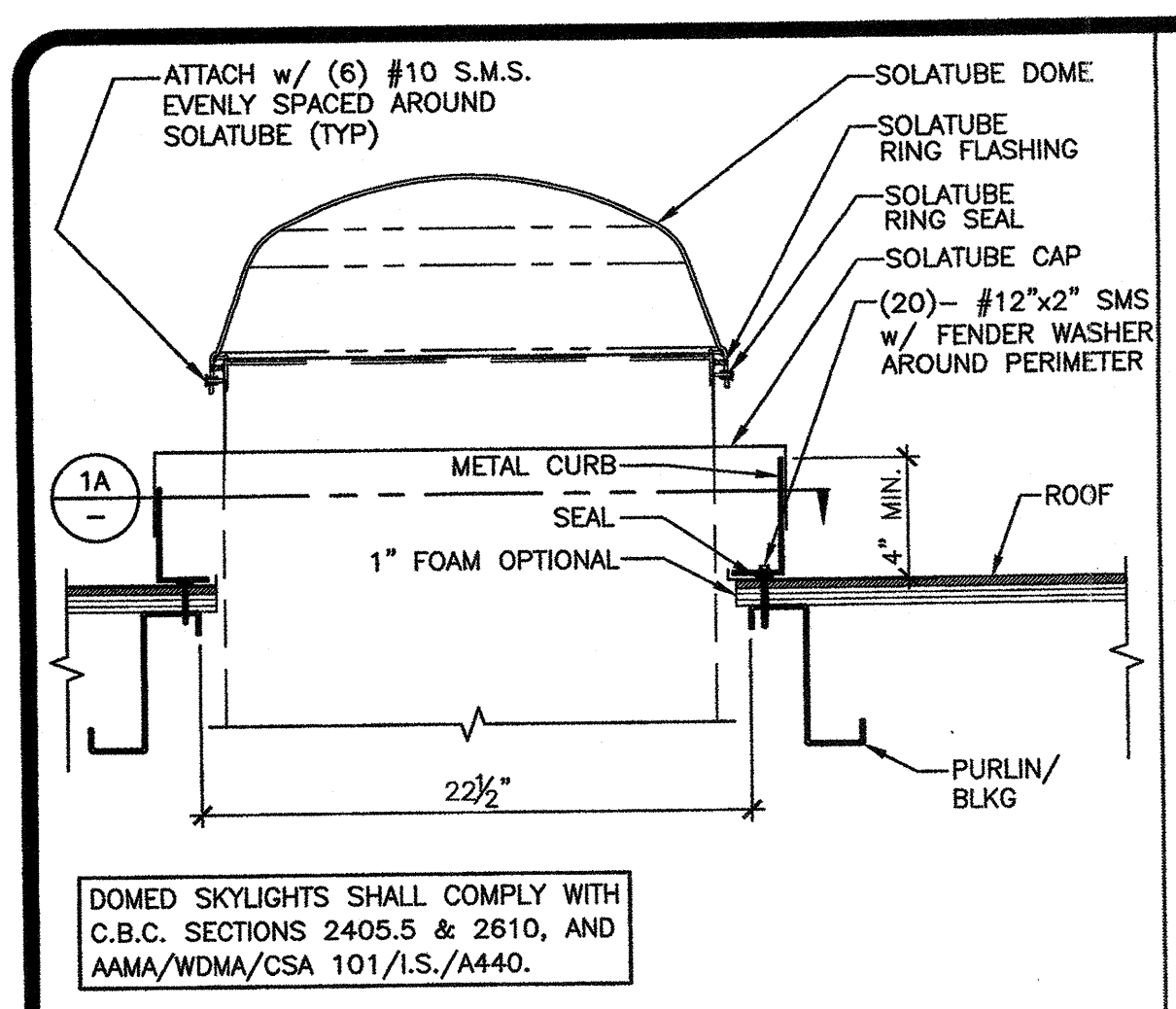




INTELLECTUAL PROPERTY & PROPRIETARY RIGHTS STATEMENT
COPYRIGHT © AMERICAN MODULAR SYSTEMS (AMS)
AMS OWNS ALL COPYRIGHT AND OTHER INTELLECTUAL PROPERTY AND PROPRIETARY RIGHTS IN THESE DRAWINGS, SPECIFICATIONS, AND THE MATERIAL CONTAINED HEREIN. CERTAIN ELEMENTS SHOWN IN THESE DOCUMENTS ARE REGISTERED TRADEMARKS OF AMS. ALL PORTABLE MATERIALS CONTAINED IN THESE DOCUMENTS AND ORIGINATING WITH AMS WILL REMAIN THE SOLE PROPERTY OF AMS. THESE DRAWINGS, SPECIFICATIONS, AND THE MATERIAL CONTAINED HEREIN MAY NOT BE REPRODUCED, TRANSMITTED, COPIED, DISTRIBUTED, MODIFIED, OR OTHERWISE DISPOSED OF (DIRECTLY OR INDIRECTLY) AND MAY NOT BE USED IN WHOLE OR IN PART TO ASSIST IN THE CONSTRUCTION, DESIGN, OR OTHER IMPROVEMENTS OF ANY BUILDING OR OTHER STRUCTURE, OR FOR THE PURPOSE OF REPRODUCING ANY INFORMATION FOR THE CONSTRUCTION DESIGN, OR OTHER IMPROVEMENTS OF ANY BUILDING OR OTHER STRUCTURE, WITHOUT THE EXPRESS WRITTEN PERMISSION OF AMS. ANY REPRODUCTION OR DISTRIBUTION TO ANY OTHER PARTY WITHOUT THE EXPRESS WRITTEN PERMISSION OF AMS IS PROHIBITED. ANY REPRODUCTION OR DISTRIBUTION TO ANY OTHER PARTY WITHOUT THE EXPRESS WRITTEN PERMISSION OF AMS IS PROHIBITED. ANY REPRODUCTION OR DISTRIBUTION TO ANY OTHER PARTY WITHOUT THE EXPRESS WRITTEN PERMISSION OF AMS IS PROHIBITED.

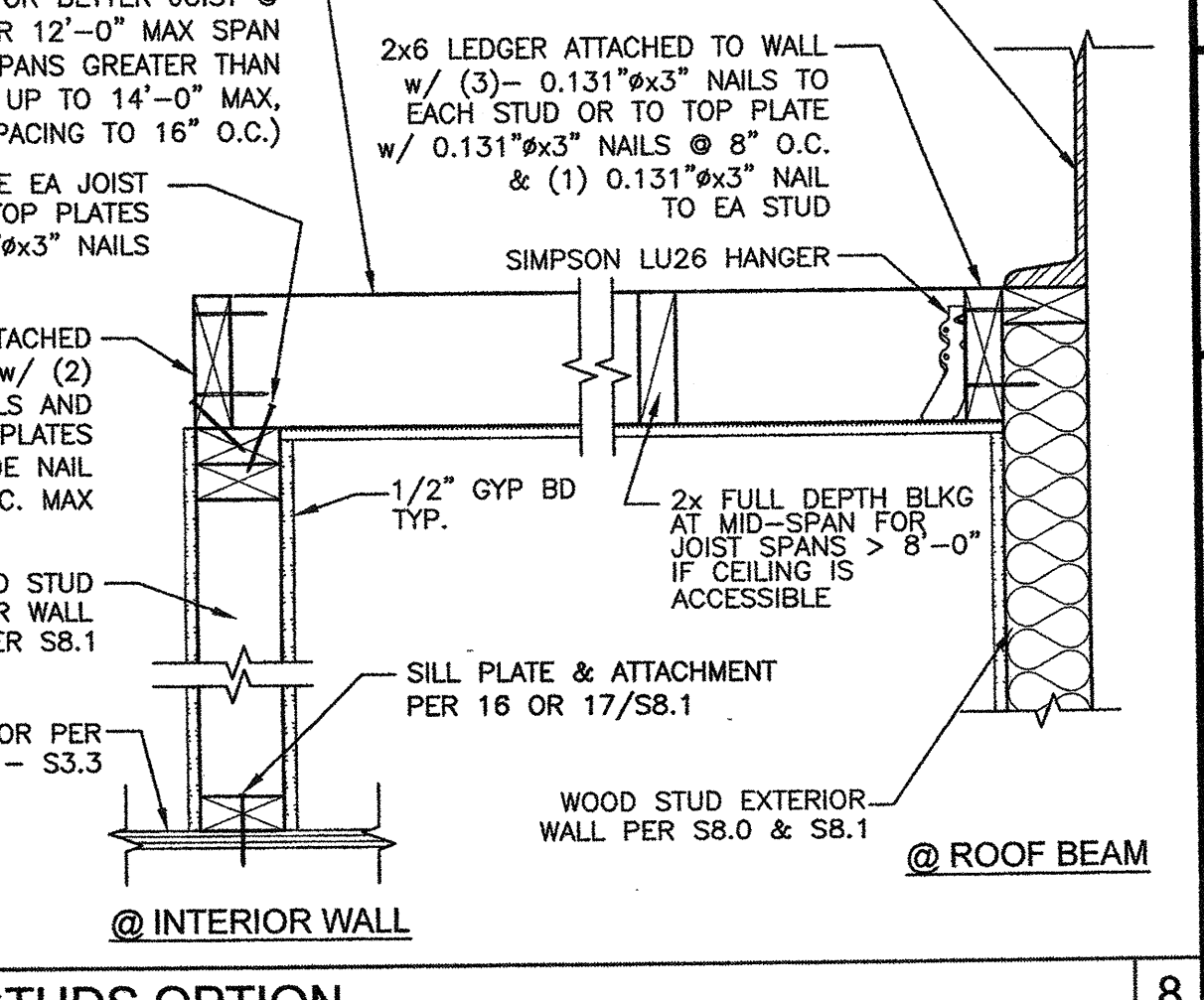
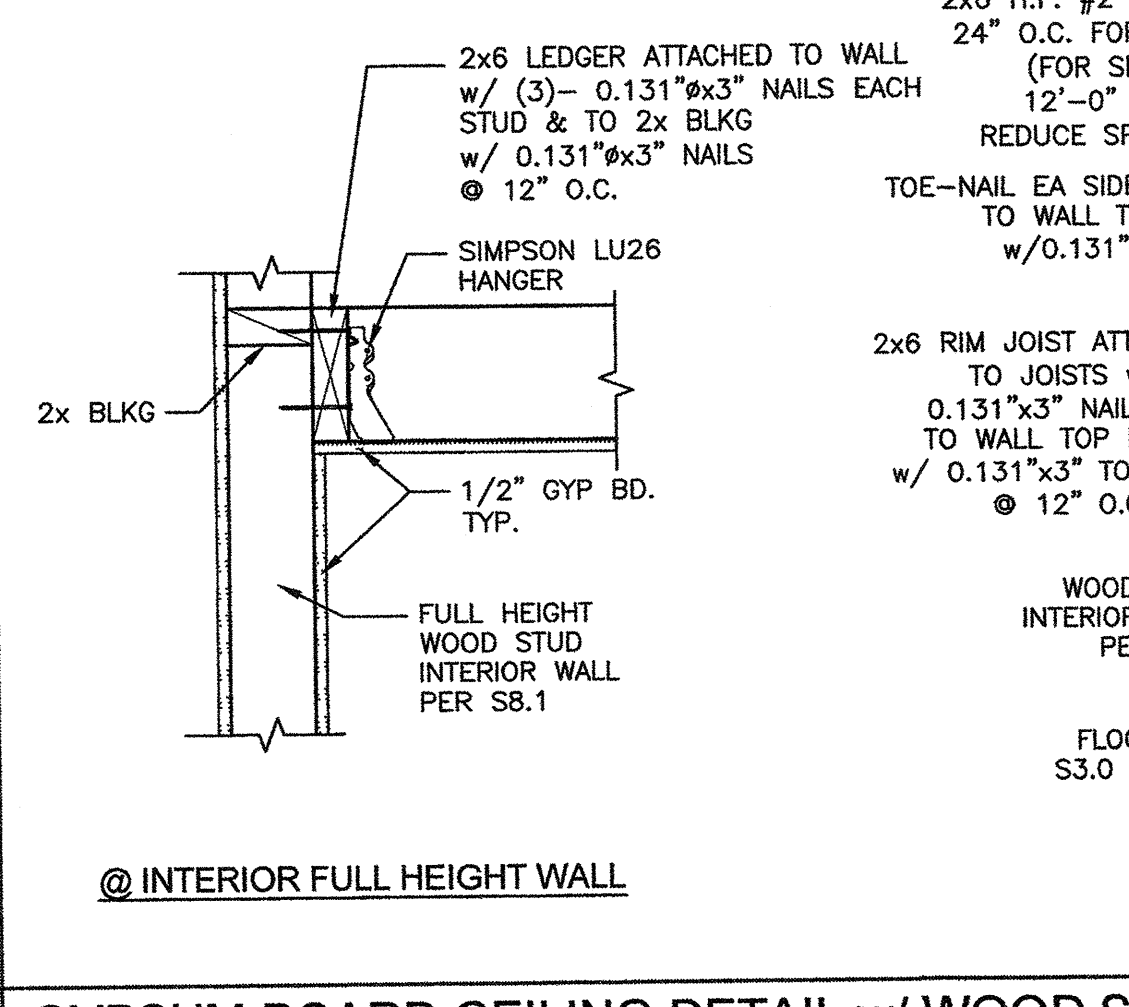
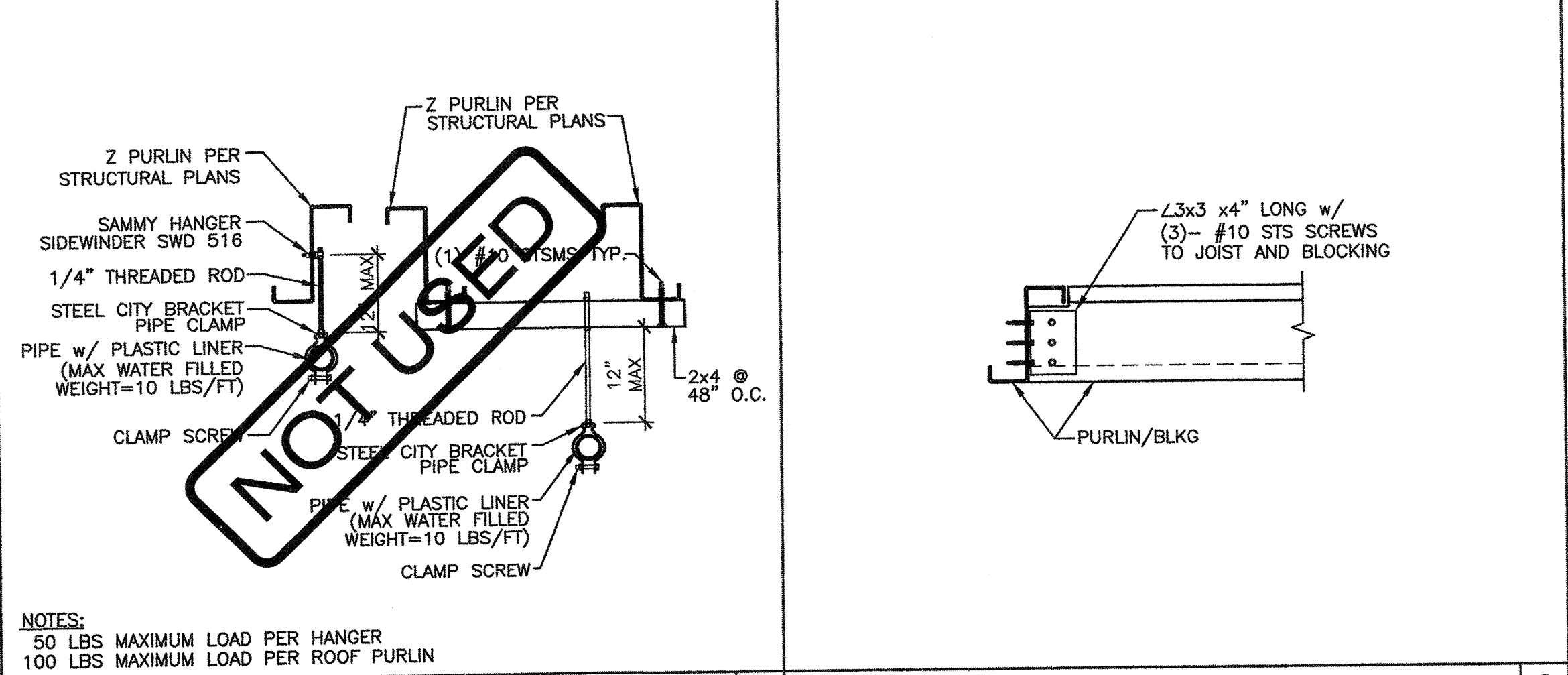
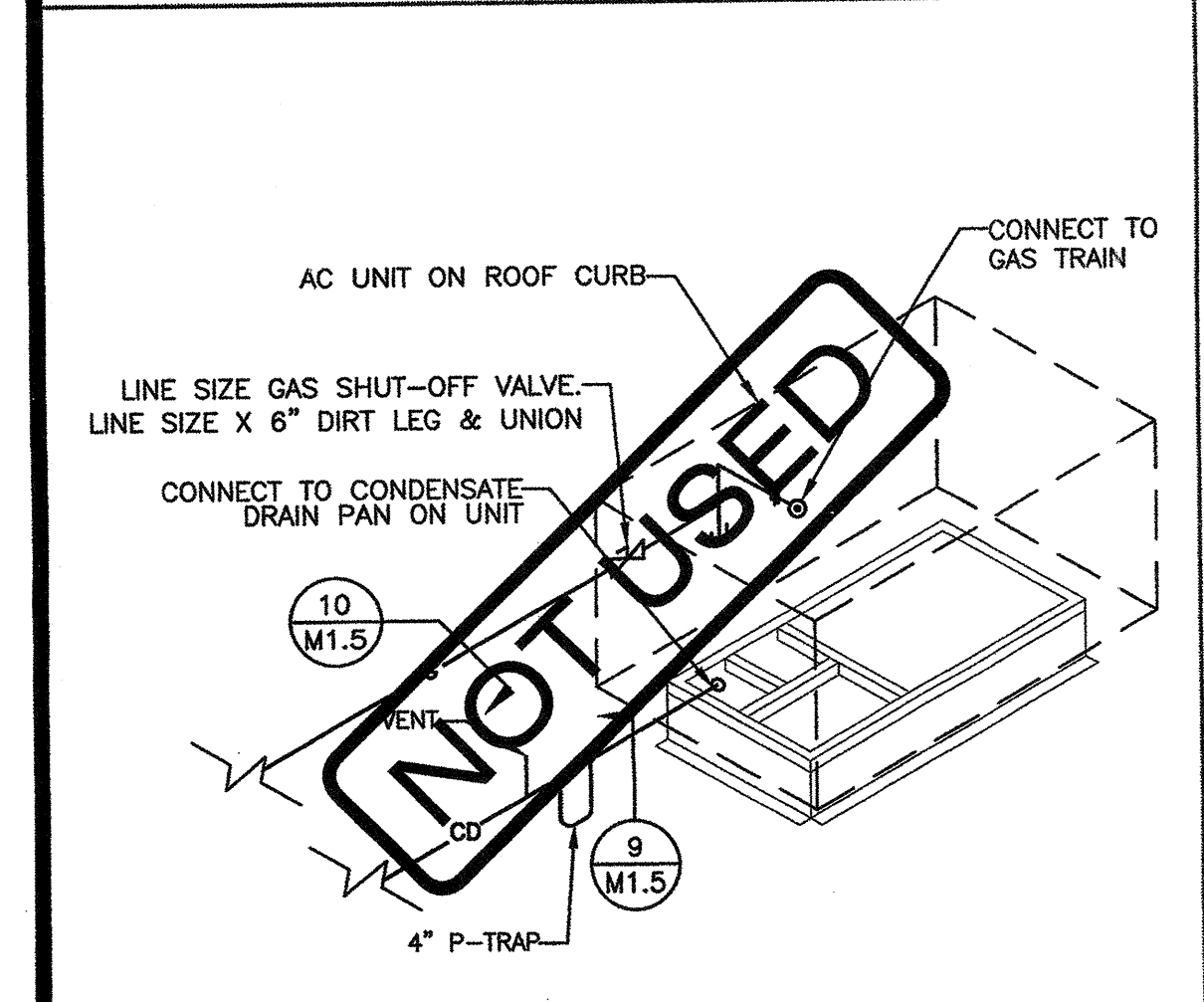


SOLATUBE ATTACHMENT DETAIL SCALE 1-1/2" = 1'-0"

SOLATUBE CURB ATTACHMENT DETAIL SCALE 1-1/2" = 1'-0"

VENT THRU ROOF PENETRATION DETAIL SCALE 1-1/2" = 1'-0"

ROOF-TOP PIPE SUPPORT BLOCK SCALE 1-1/2" = 1'-0"

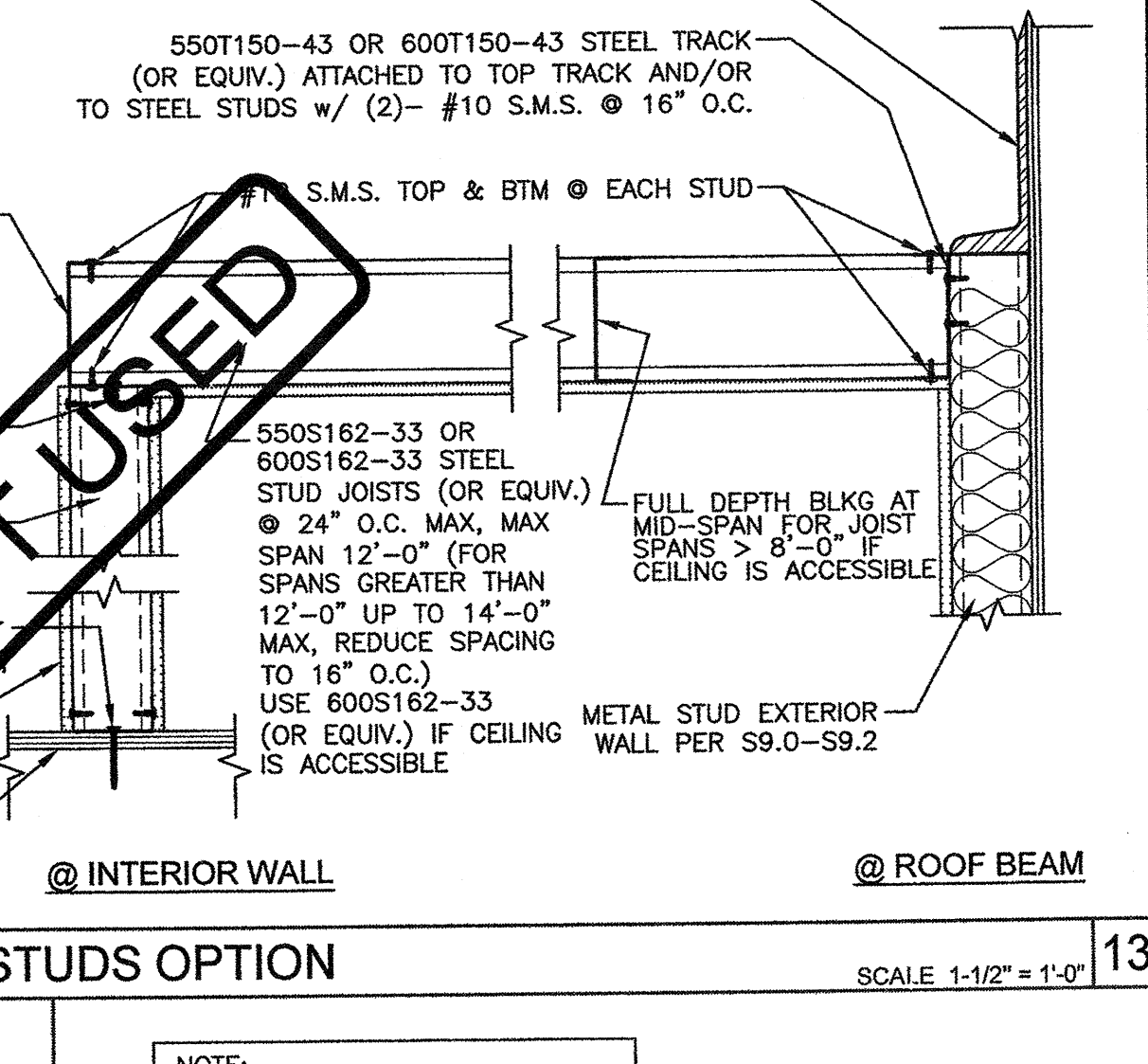
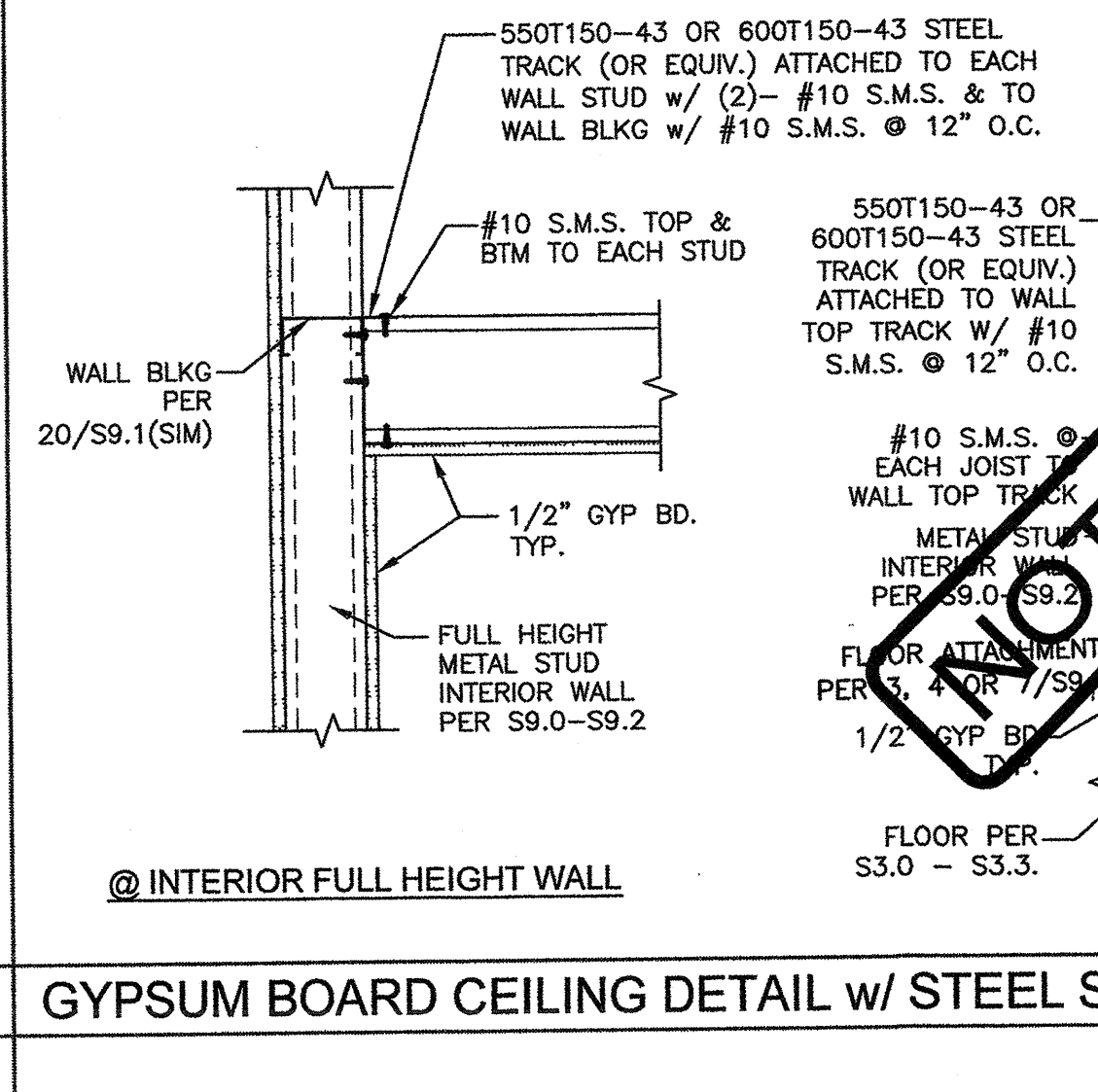
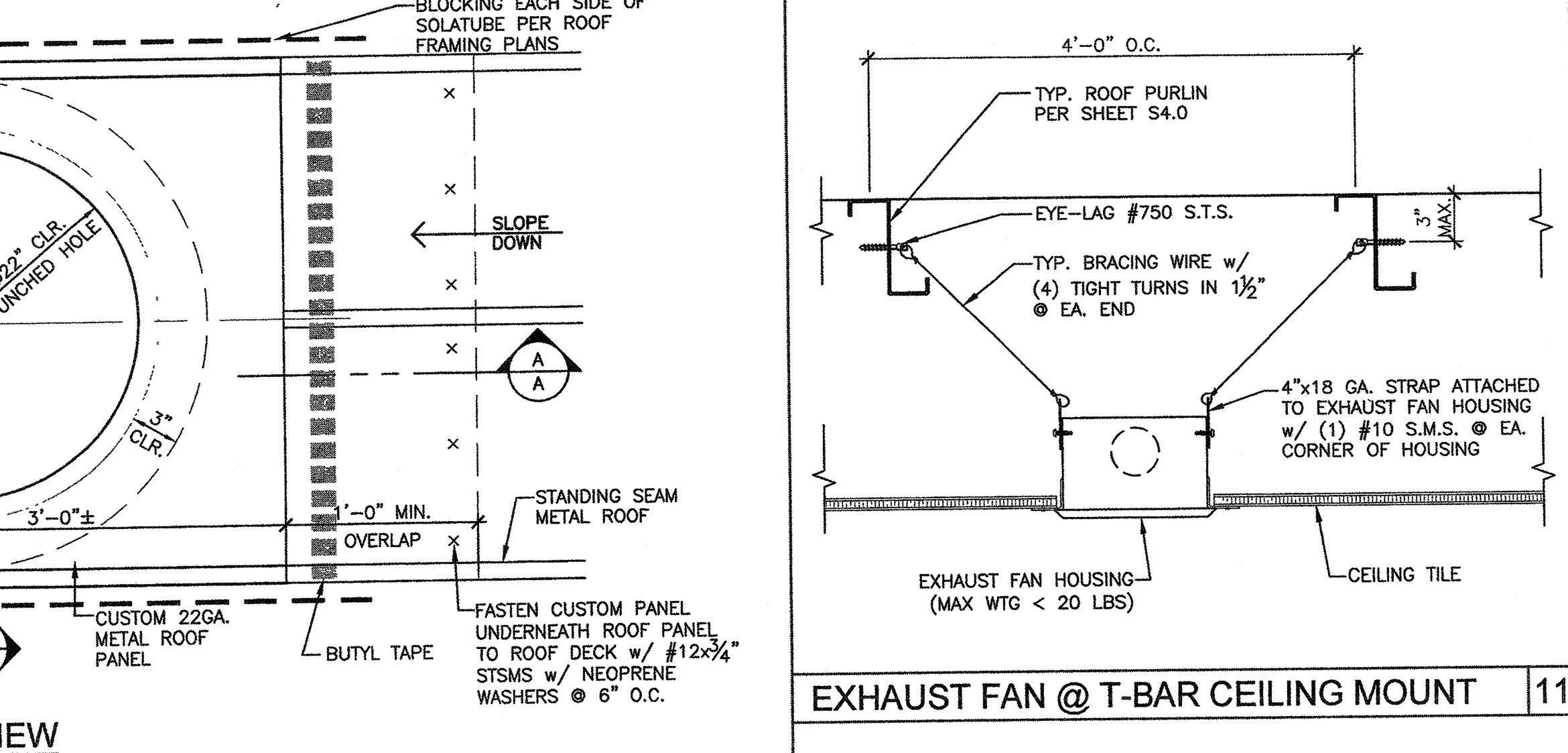
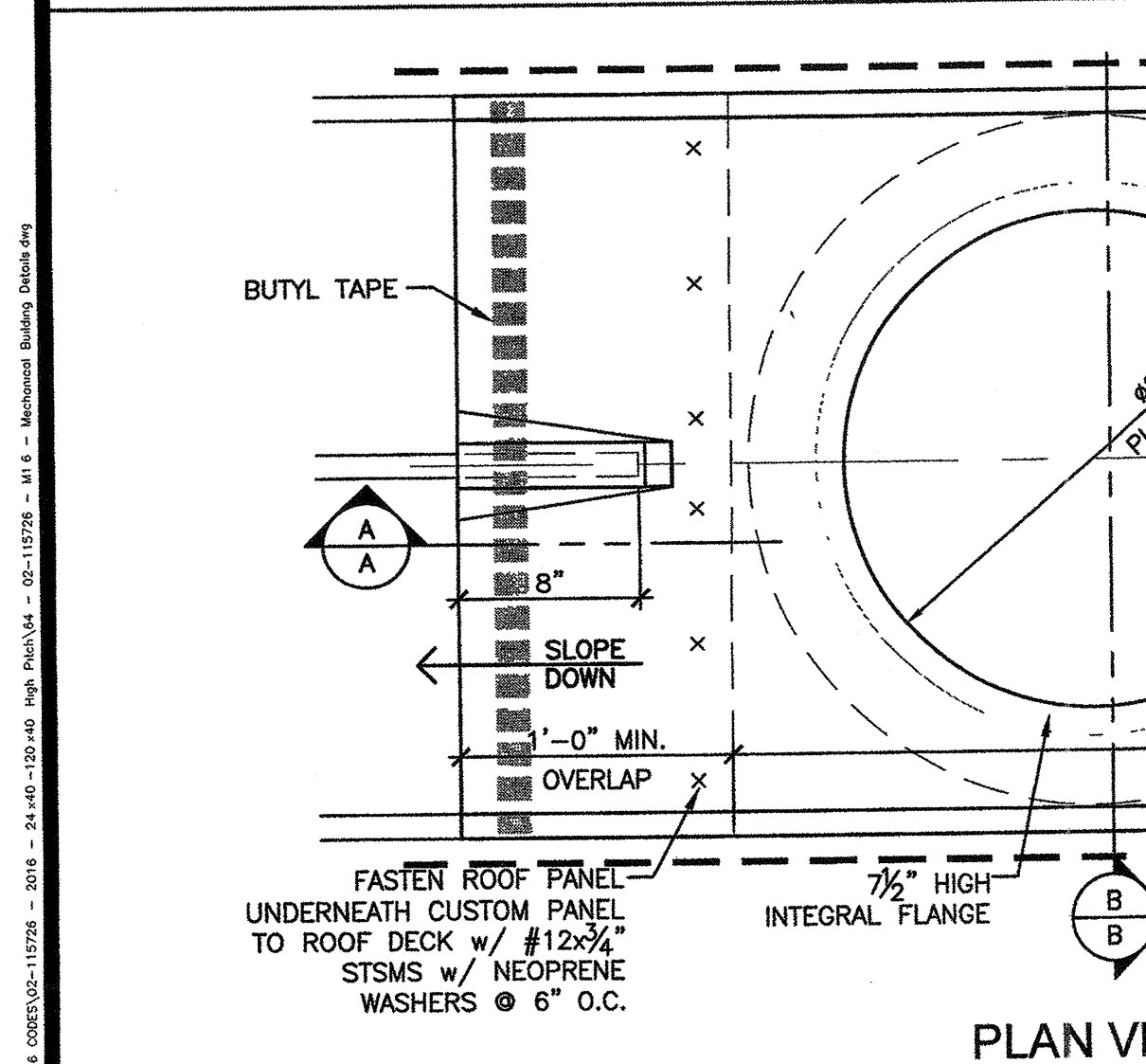


HVAC UNIT PIPING NOT TO SCALE

PIPE HANGER DETAIL SCALE 1-1/2" = 1'-0"

GYPSUM BOARD CEILING DETAIL w/ WOOD STUDS OPTION SCALE 1-1/2" = 1'-0"

GYPSUM BOARD CEILING DETAIL w/ WOOD STUDS OPTION SCALE 1-1/2" = 1'-0"

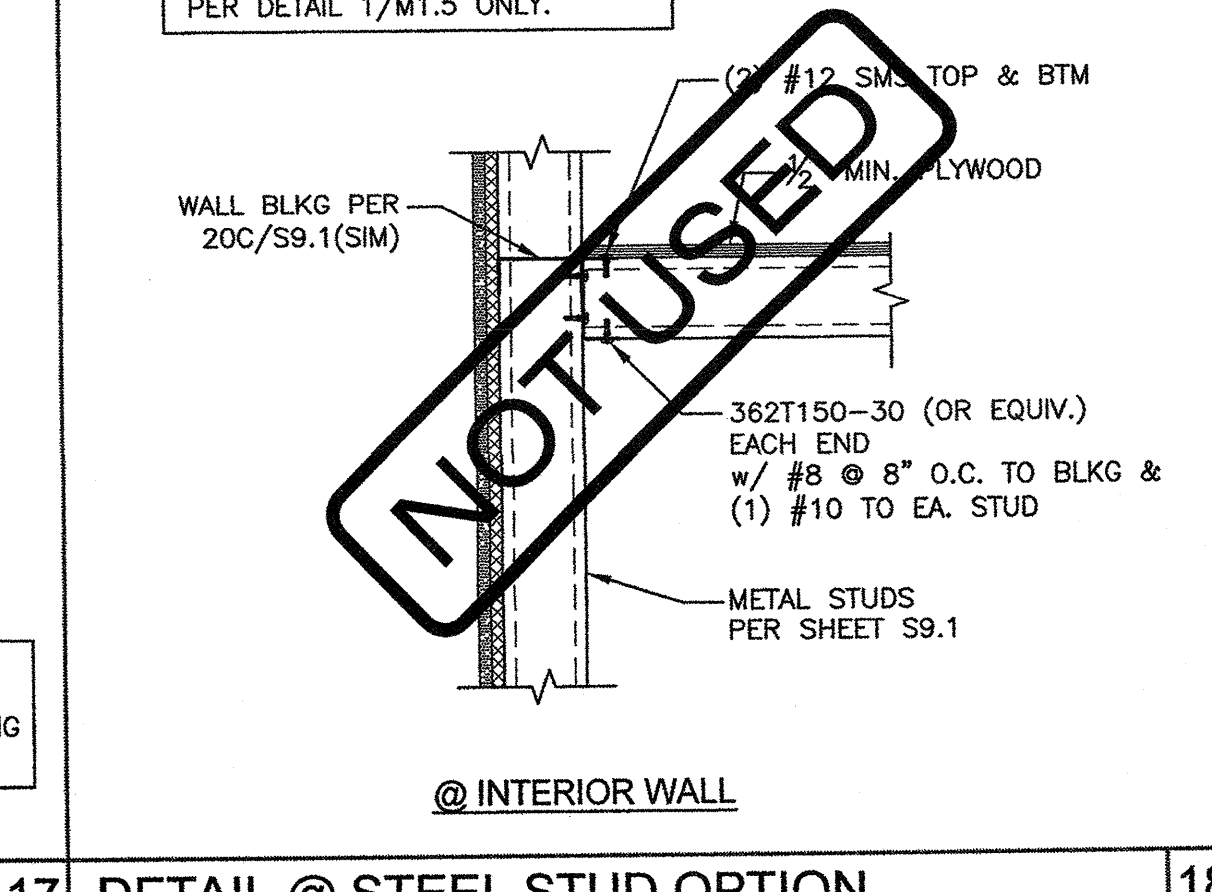
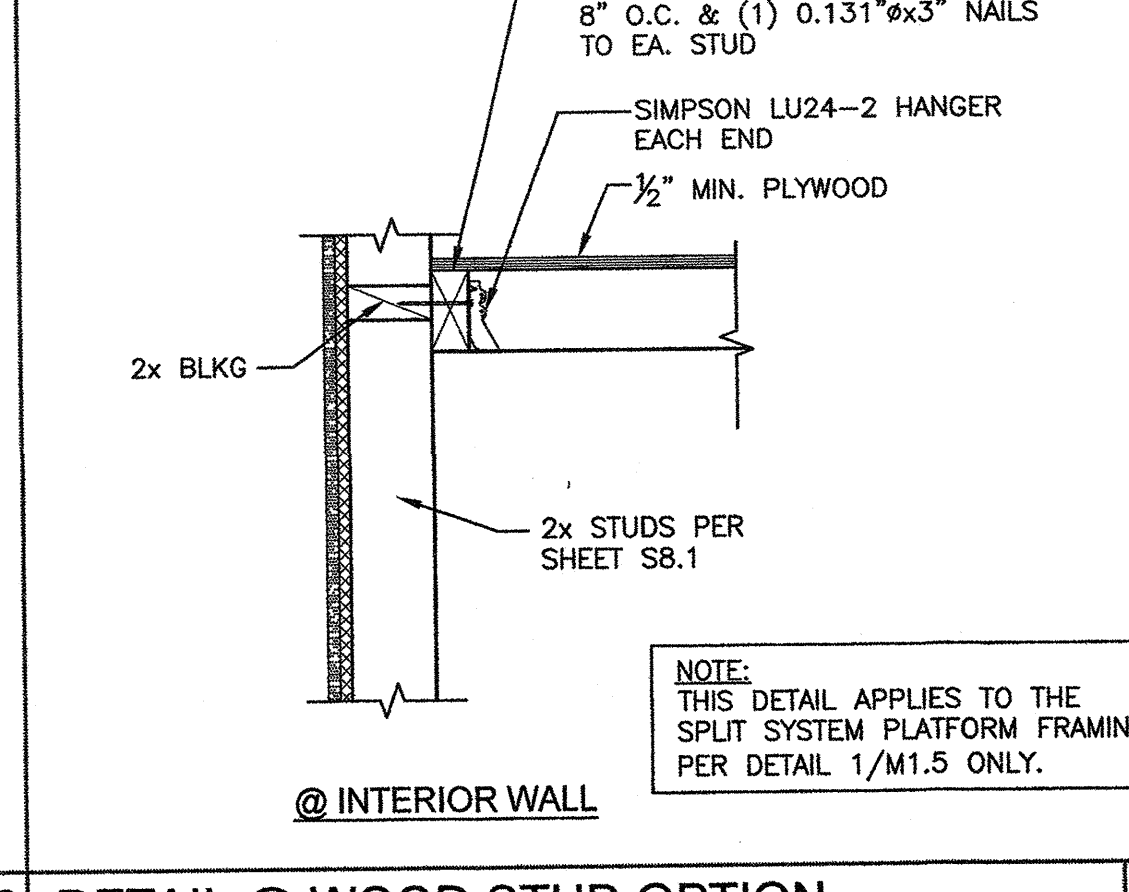
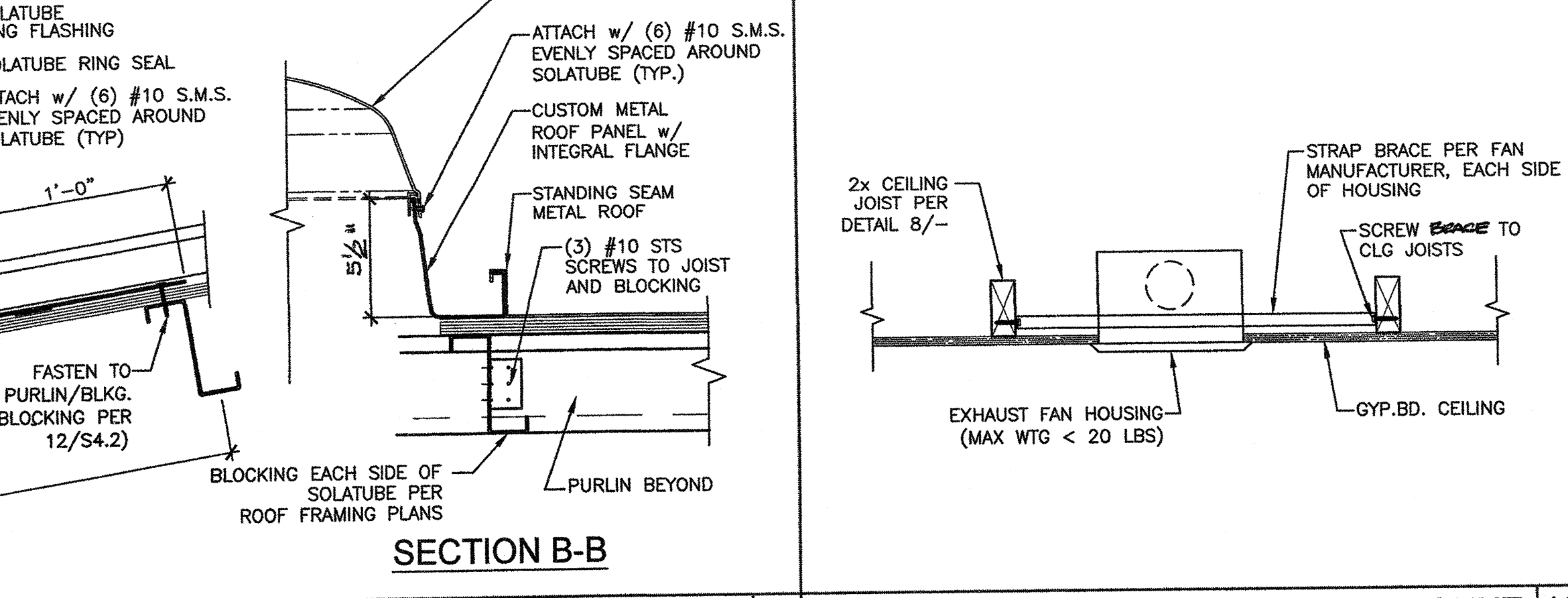
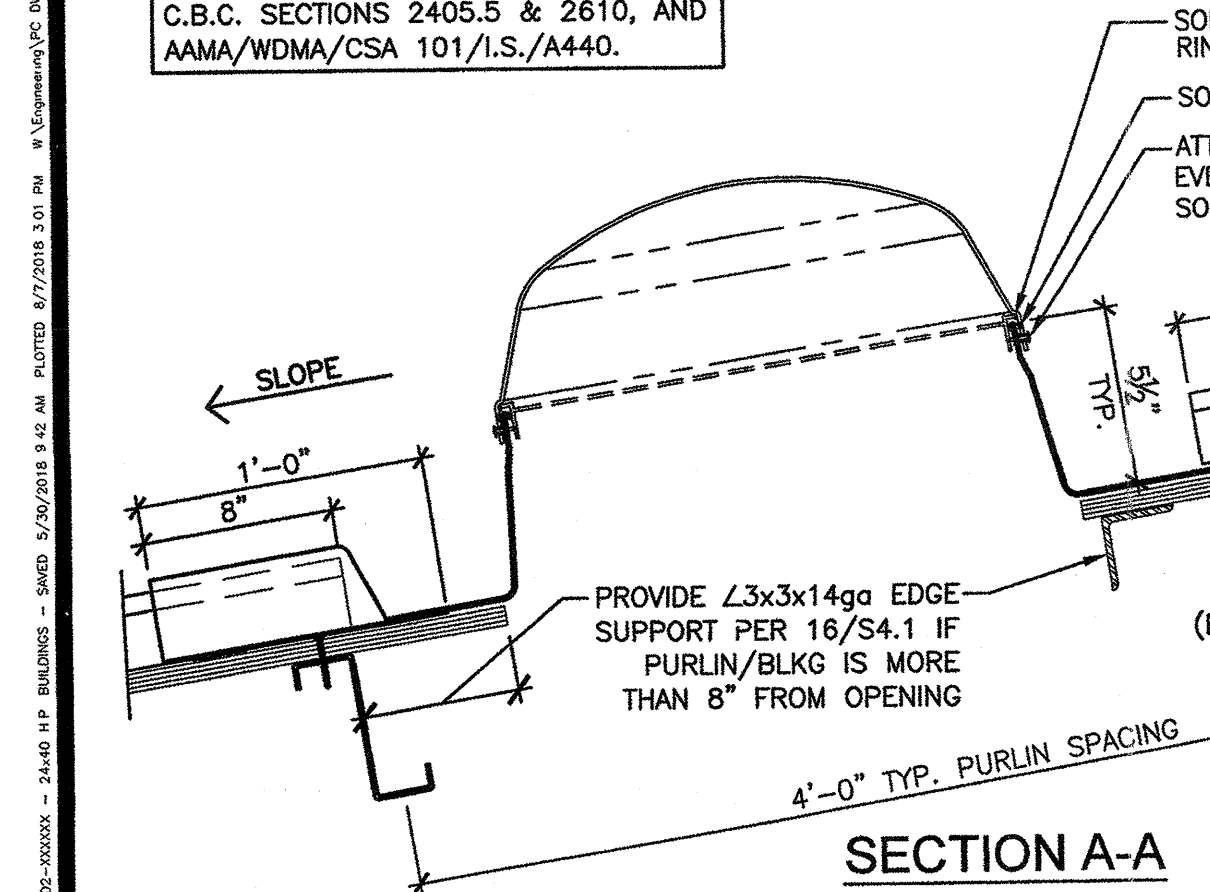


SOLATUBE SECTION (ALT. CLIP) SCALE 1-1/2" = 1'-0"

EXHAUST FAN @ T-BAR CEILING MOUNT SCALE 1-1/2" = 1'-0"

GYPSUM BOARD CEILING DETAIL w/ STEEL STUDS OPTION SCALE 1-1/2" = 1'-0"

GYPSUM BOARD CEILING DETAIL w/ STEEL STUDS OPTION SCALE 1-1/2" = 1'-0"



OPTIONAL SOLATUBE DETAILS SCALE 1-1/2" = 1'-0"

EXHAUST FAN @ GYP.BD. CEILING MOUNT SCALE 1-1/2" = 1'-0"

DETAIL @ WOOD STUD OPTION SCALE 1-1/2" = 1'-0"

DETAIL @ STEEL STUD OPTION SCALE 1-1/2" = 1'-0"

24'x40' THRU 120'x40' HIGH PITCH MODULAR BUILDINGS

SITE SPECIFIC PROJECT NAME

SHEET TITLE
MECHANICAL ROOF DETAILS

MANUFACTURER PROFESSIONAL OF RECORD ON PC

THESE DRAWINGS ARE PRELIMINARY AND NOT FOR CONSTRUCTION UNLESS STAMPED & SIGNED BY THE ENGINEER OF RECORD
PROJECT SPECIFIC STATE AGENCY APPROVAL

IDENTIFICATION STAMP
DIV. OF THE STATE ARCHITECT
02-117846
AC: FLS / SS / SS
DATE: 10-11-2018

ORIGINAL PC STATE AGENCY APPROVAL
IDENTIFICATION STAMP
DIV. OF THE STATE ARCHITECT
PC 02-115726
AC: FLS / SS / SS
DATE: 10-11-2018

PRE-CHECK (PC) DOCUMENT
CODE 2016 CBC
A SEPARATE PROJECT APPLICATION FOR CONSTRUCTION IS REQUIRED

REVISIONS
DRAWN BY
SCALE AS NOTED
DATE
SHEET NUMBER

M1.6-02