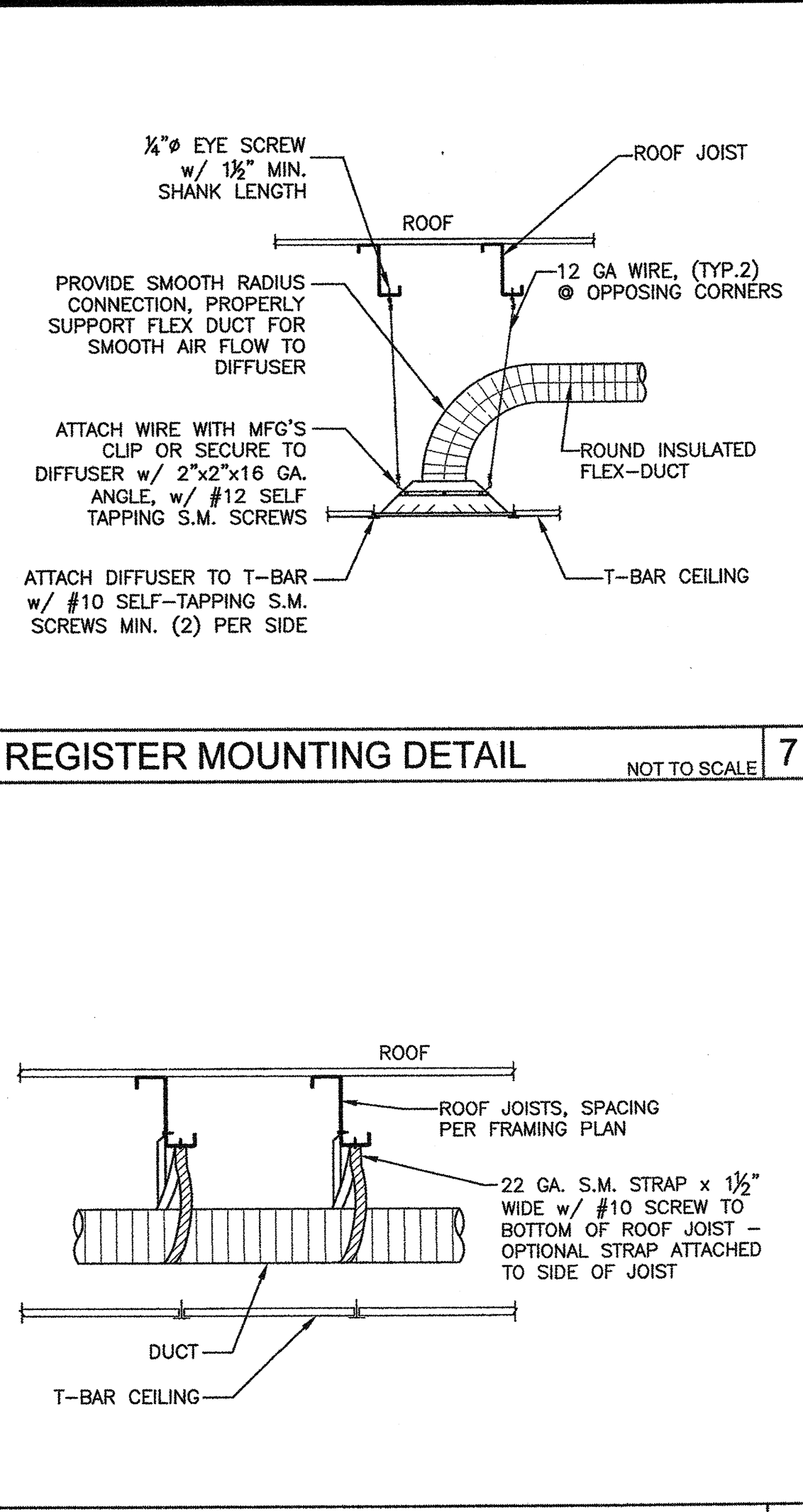
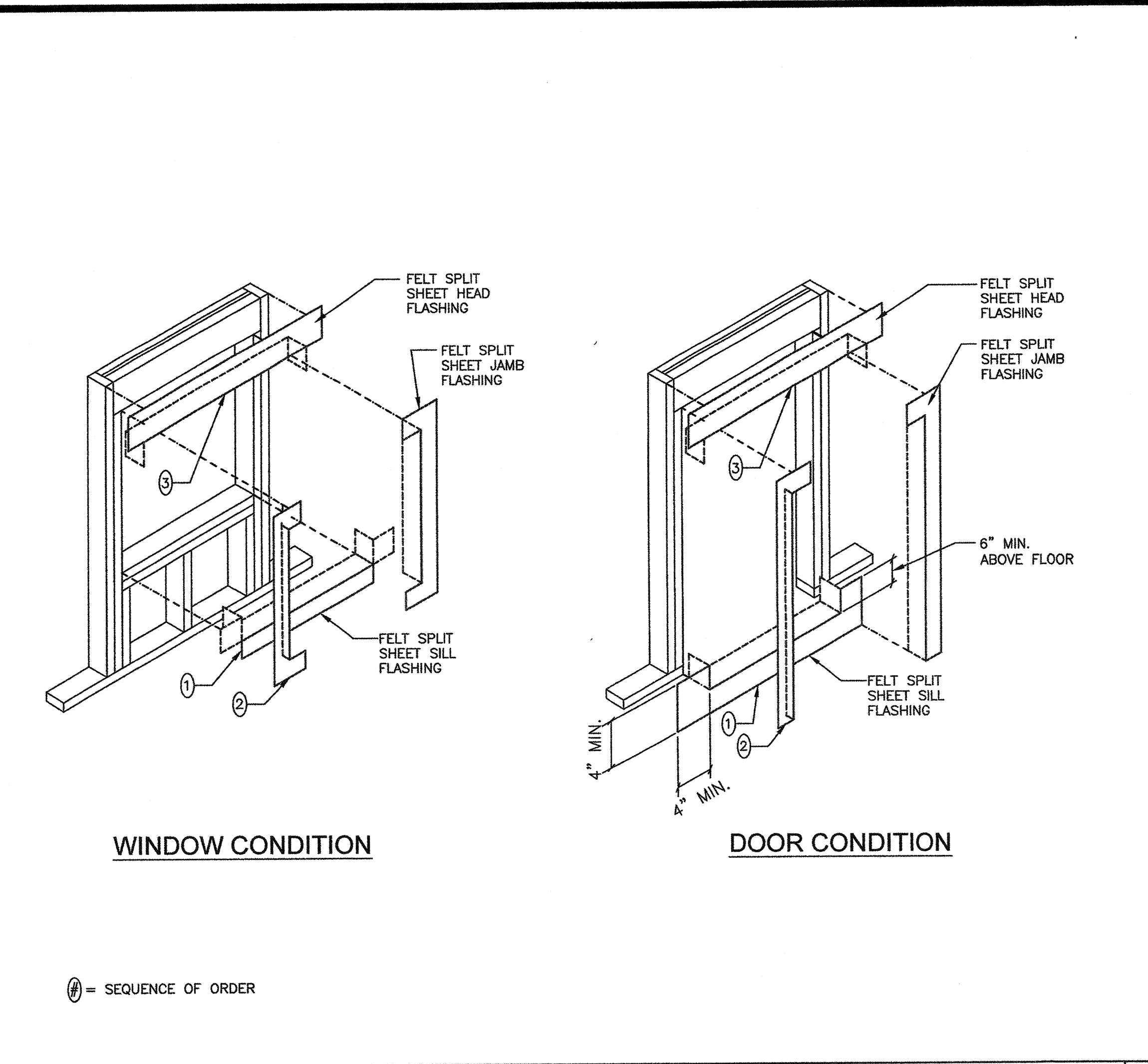
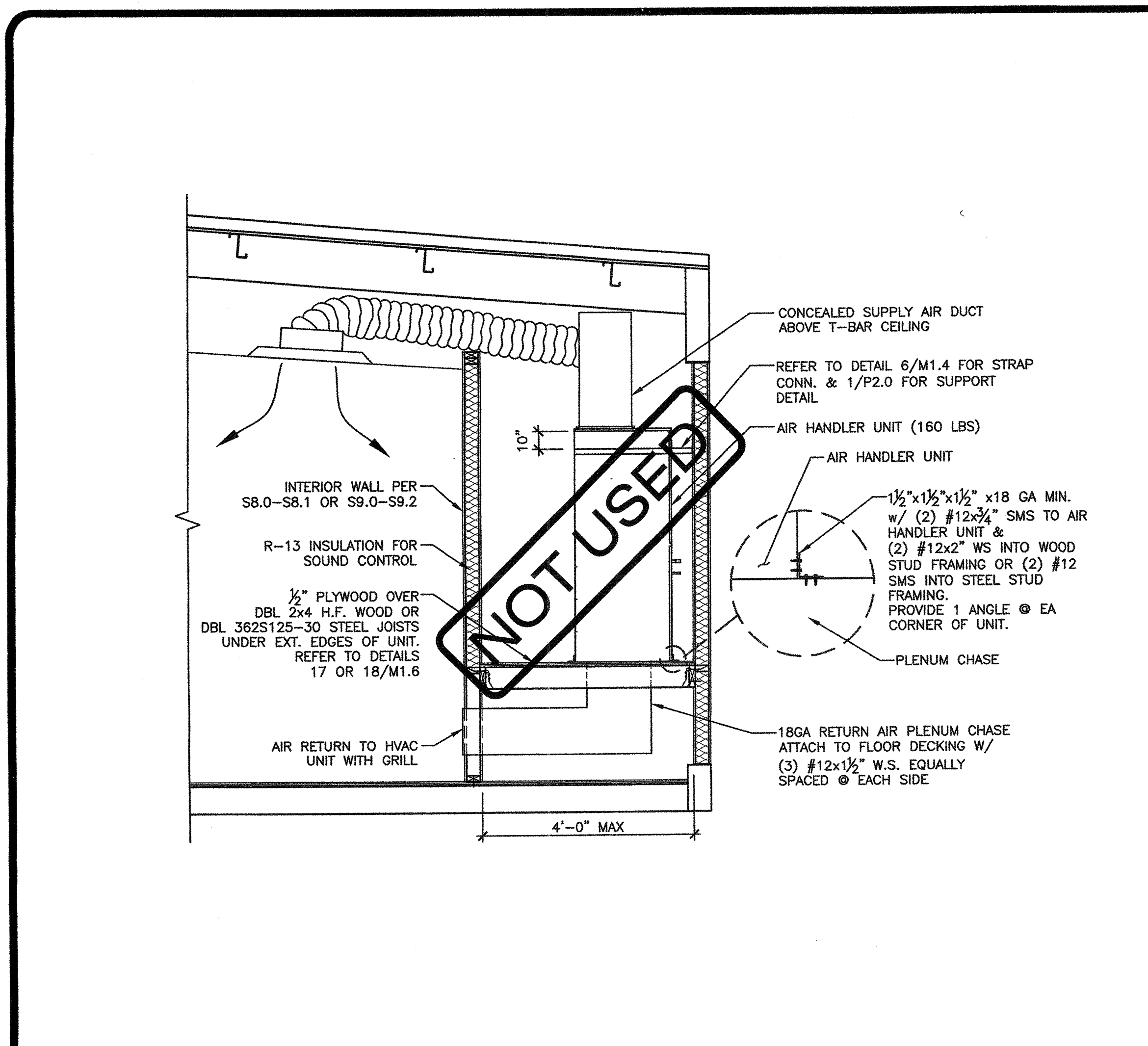




**INTELLECTUAL PROPERTY & PROPRIETARY RIGHTS STATEMENT**  
COPYRIGHT © AMERICAN MODULAR SYSTEMS (AMS)  
AMS OWNS ALL COPYRIGHT AND OTHER INTELLECTUAL PROPERTY AND PROPRIETARY RIGHTS IN THESE DRAWINGS, SPECIFICATIONS, AND THE MATERIAL CONTAINED HEREIN AND ORIGINATING WITH AMS WILL REMAIN THE SOLE PROPERTY OF AMS. THESE DRAWINGS, SPECIFICATIONS, AND THE MATERIAL CONTAINED HEREIN MAY NOT BE REPRODUCED, TRANSMITTED, COPIED, DISTRIBUTED, MISUSED, OR OTHERWISE DISPOSED OF (DIRECTLY OR INDIRECTLY) AND MAY NOT BE USED IN WHOLE OR IN PART TO ASSIST IN THE CONSTRUCTION, DESIGN, OR OTHER WORKING OF ANY PROJECT, EXCEPT AS SPECIFICALLY PERMITTED BY WRITTEN CONSENT OF AMS. IN A WRITTEN AGREEMENT WILL AND HEREBY IS GRANTED TO THE USER OF THESE DRAWINGS, SPECIFICATIONS, AND THE MATERIAL CONTAINED HEREIN IN DEVIATION OF AMS'S COPYRIGHT OR OTHER INTELLECTUAL PROPERTY OR PROPRIETARY RIGHTS.

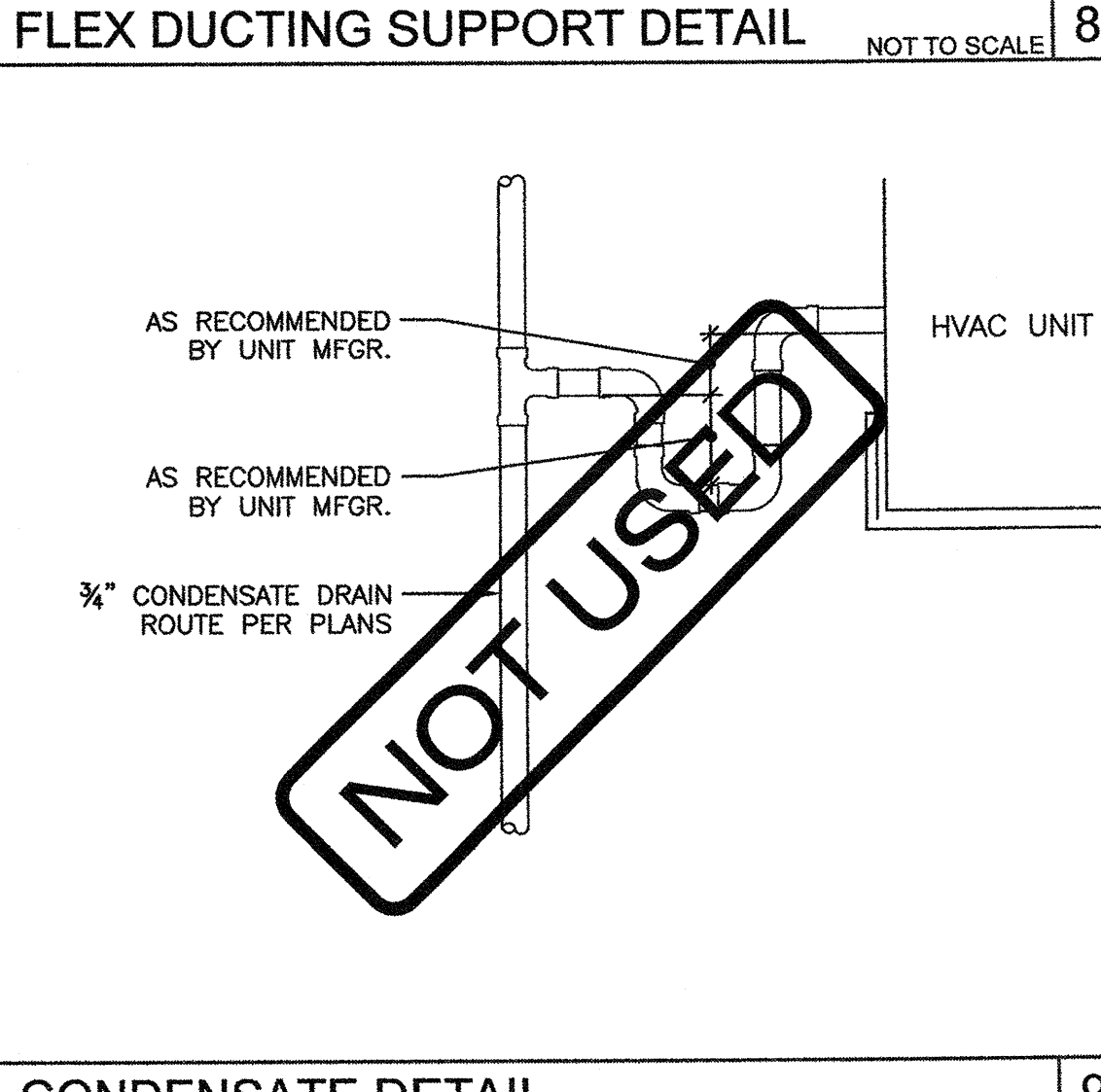
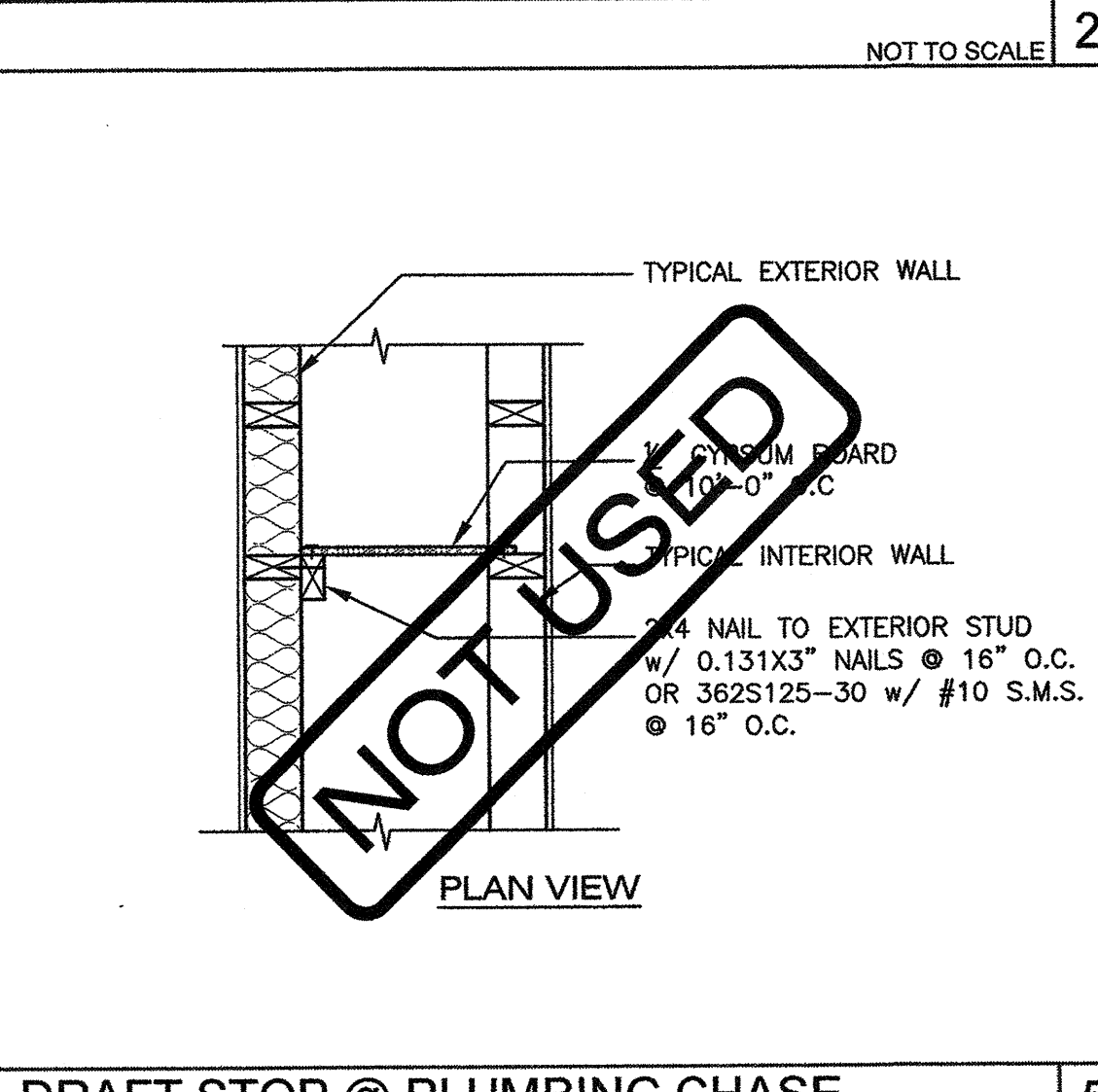
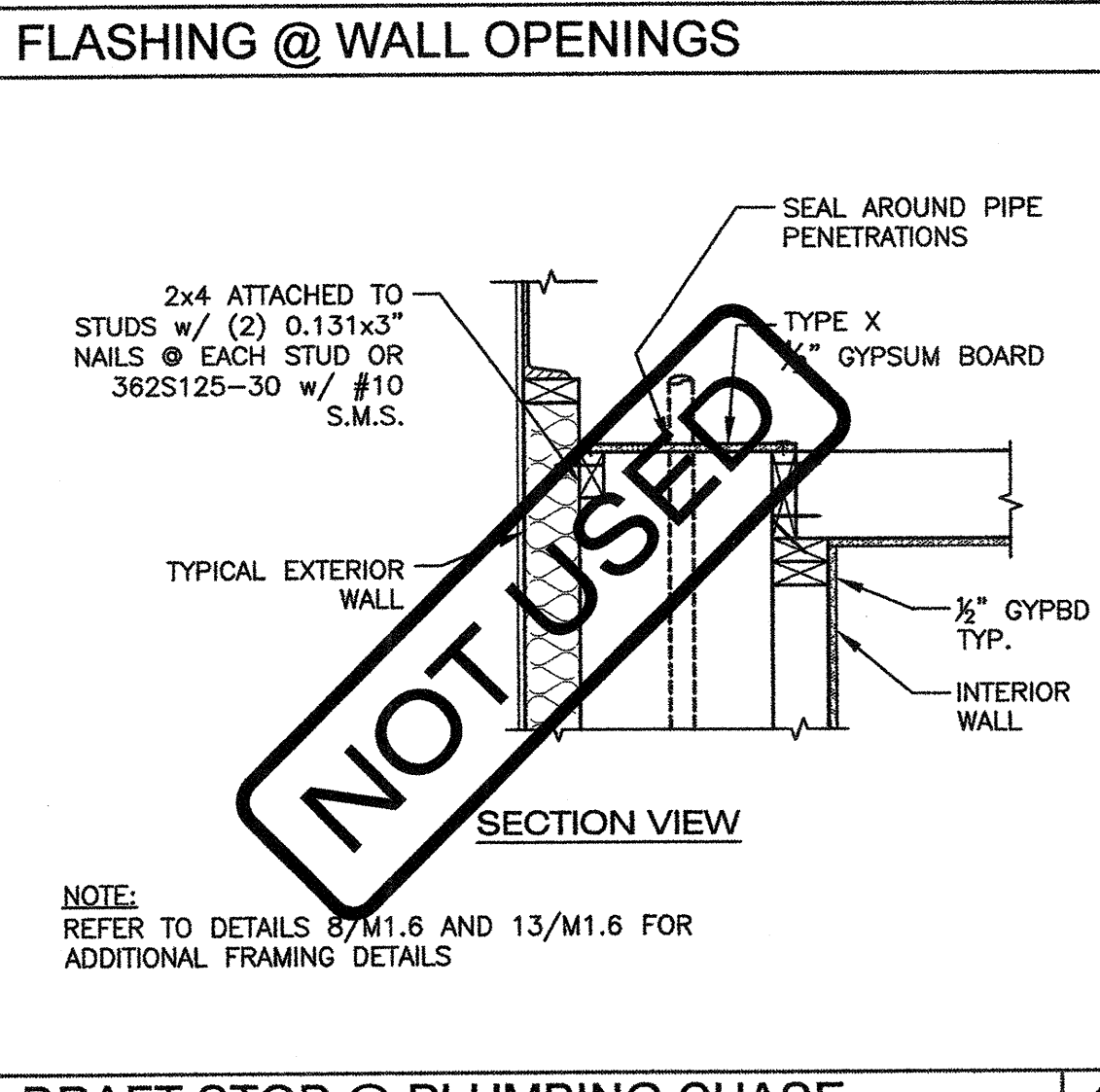
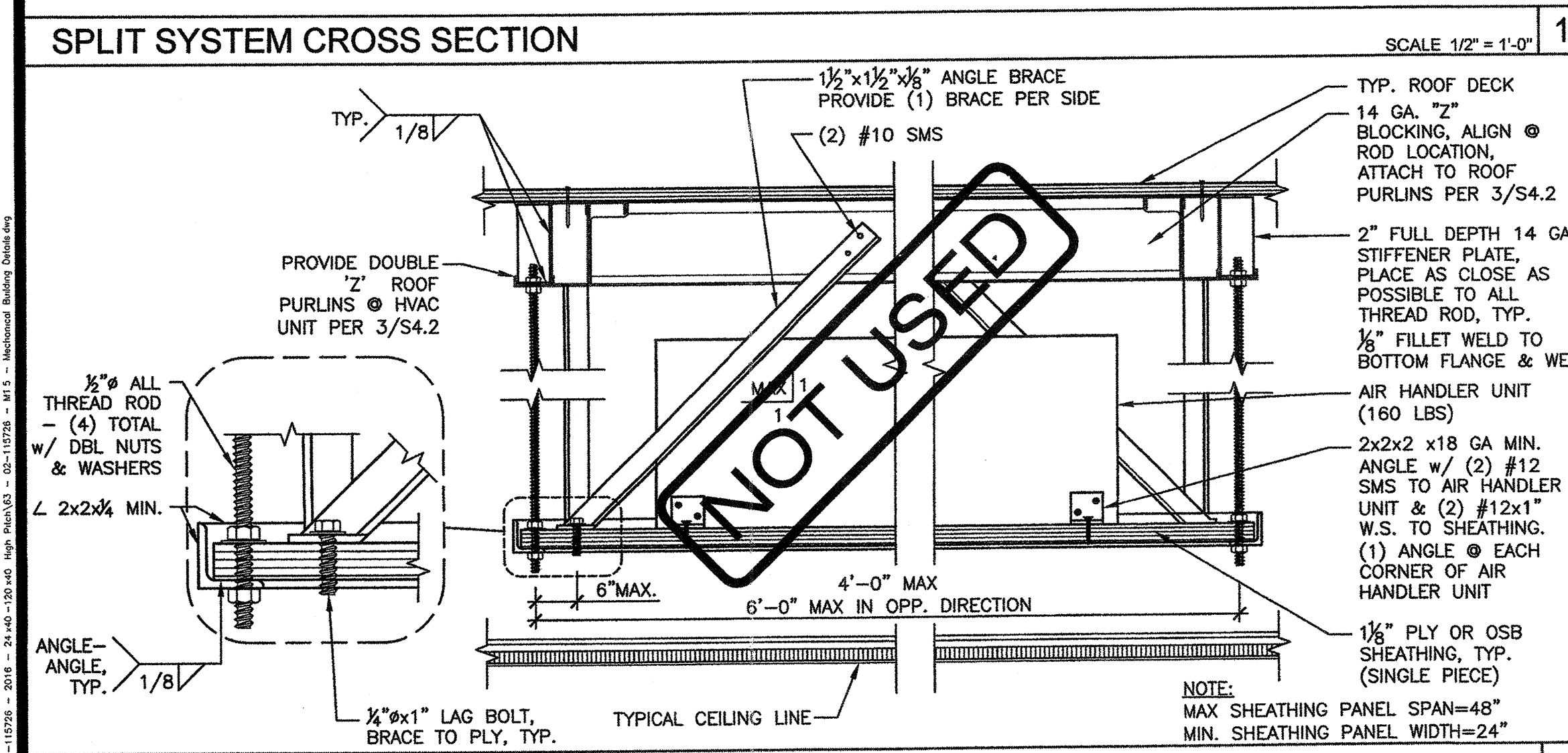


PRE-CHECKED SET NAME  
**24'x40' THRU 120'x40' HIGH PITCH MODULAR BUILDINGS**

SITE SPECIFIC PROJECT NAME

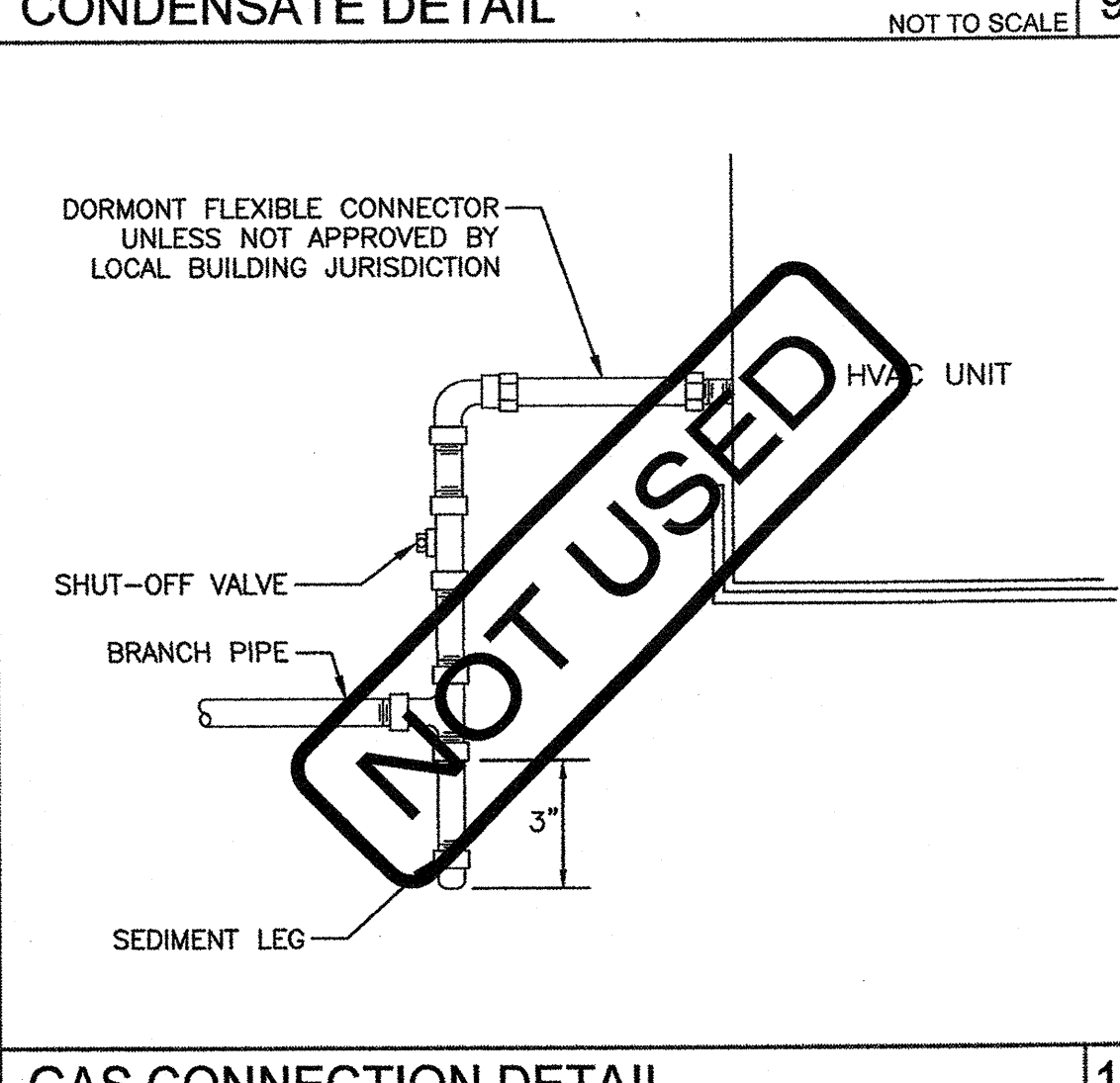
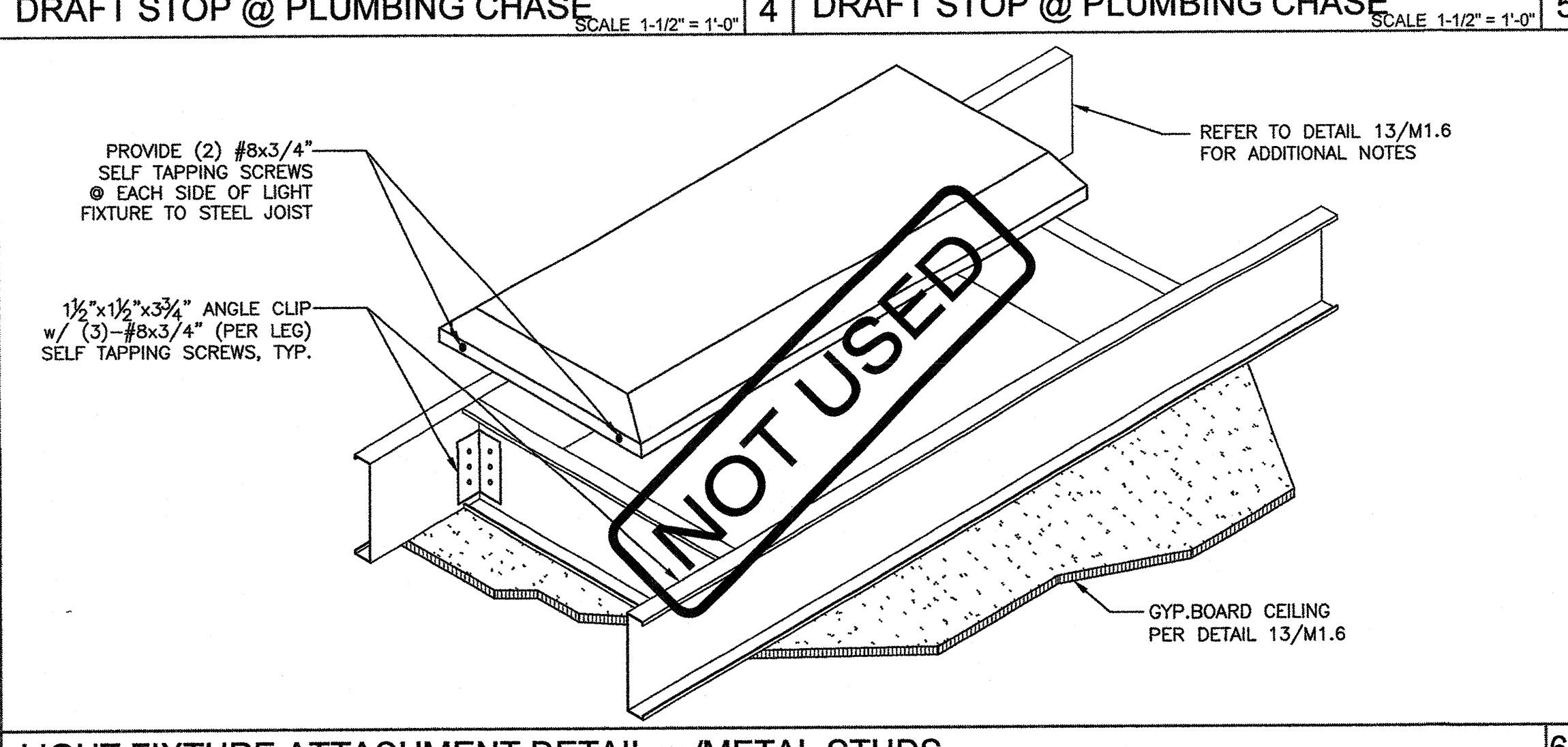
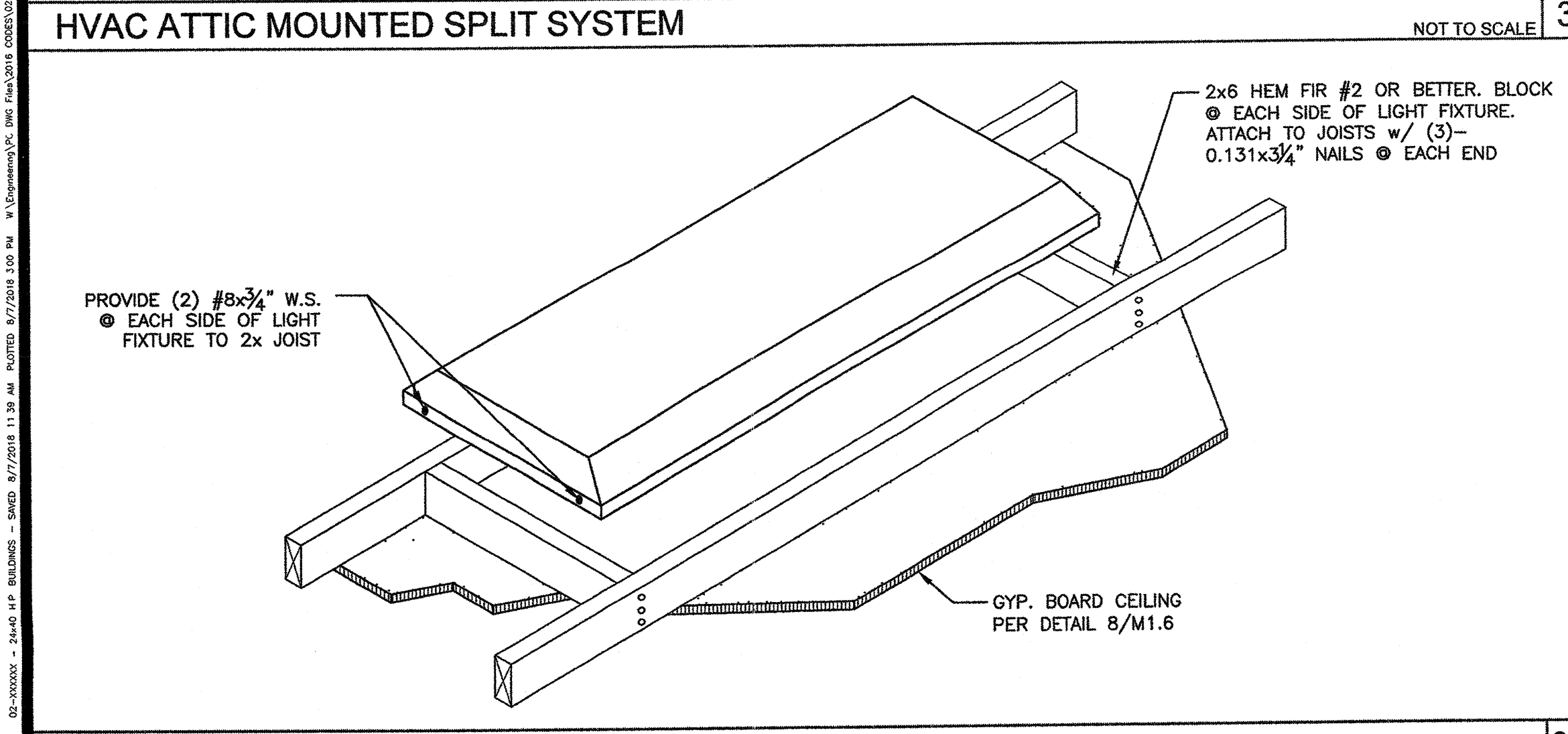
SHEET TITLE  
**MECHANICAL & CEILING DETAILS**

MANUFACTURER PROFESSIONAL OF RECORD ON PC



NOT TO SCALE 2

NOT TO SCALE 8



NOT TO SCALE 9

ORIGINAL PC STATE AGENCY APPROVAL  
IDENTIFICATION STAMP  
DIV. OF THE STATE ARCHITECT  
PC 02-115726  
AC/PL/FLS/SS/SS  
DATE 10-11-2018  
**PRE-CHECK (PC) DOCUMENT**  
CODE 2018 CBC  
A SEPARATE PROJECT APPLICATION FOR CONSTRUCTION IS REQUIRED

REVISIONS

DRAWN BY: \_\_\_\_\_  
SCALE: AS NOTED  
DATE: \_\_\_\_\_  
SHEET NUMBER

**M1.5-02**