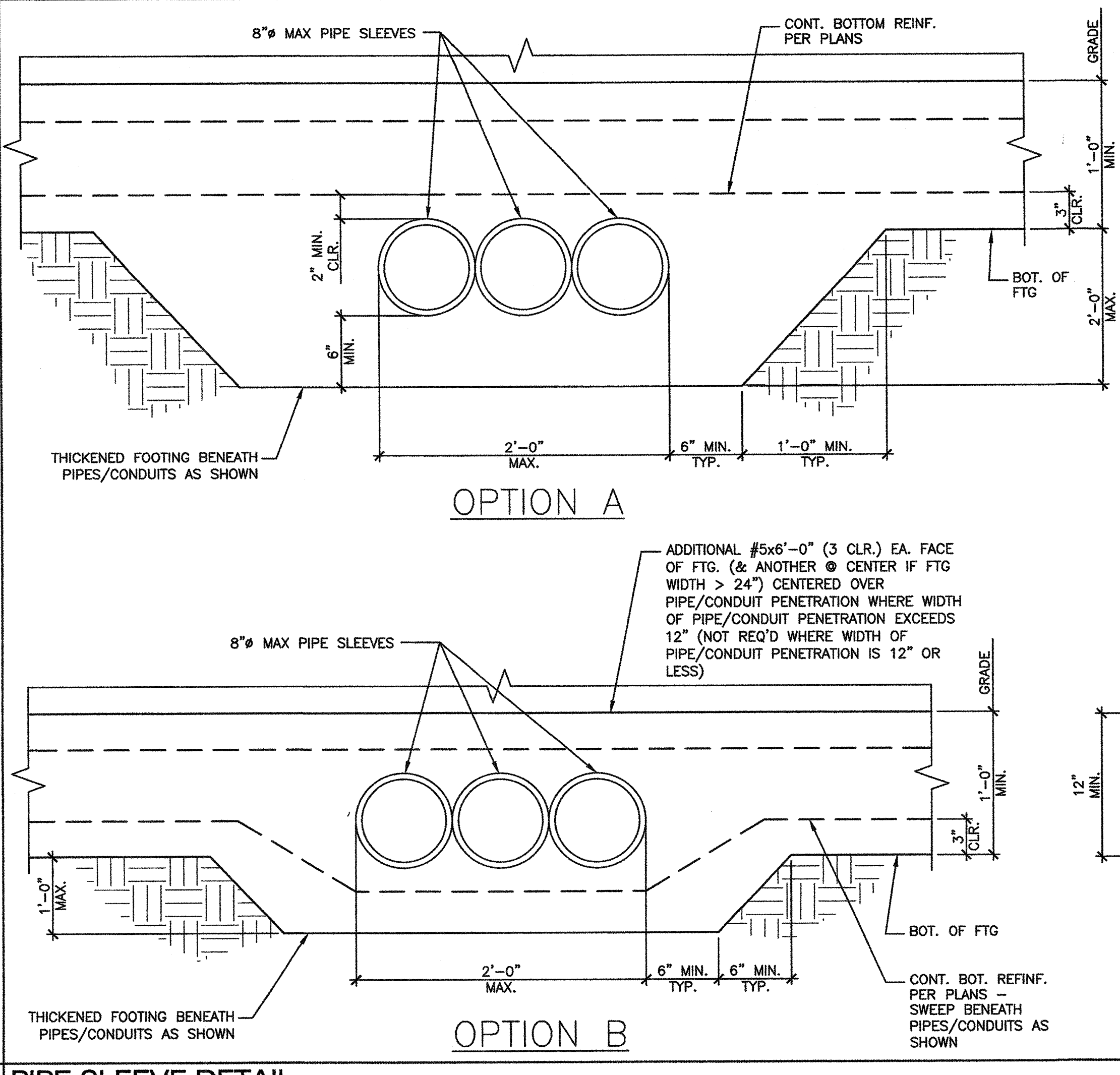
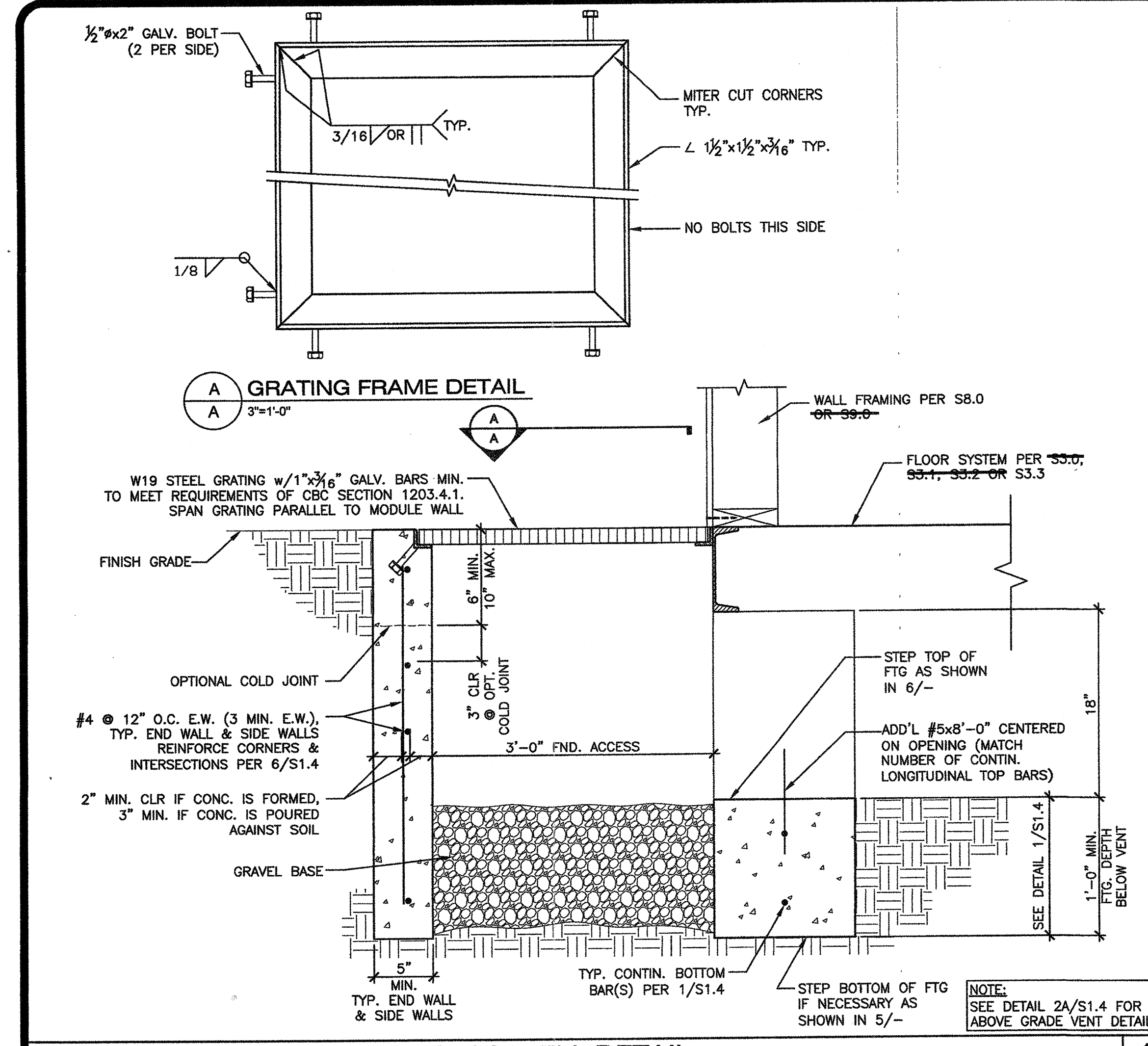
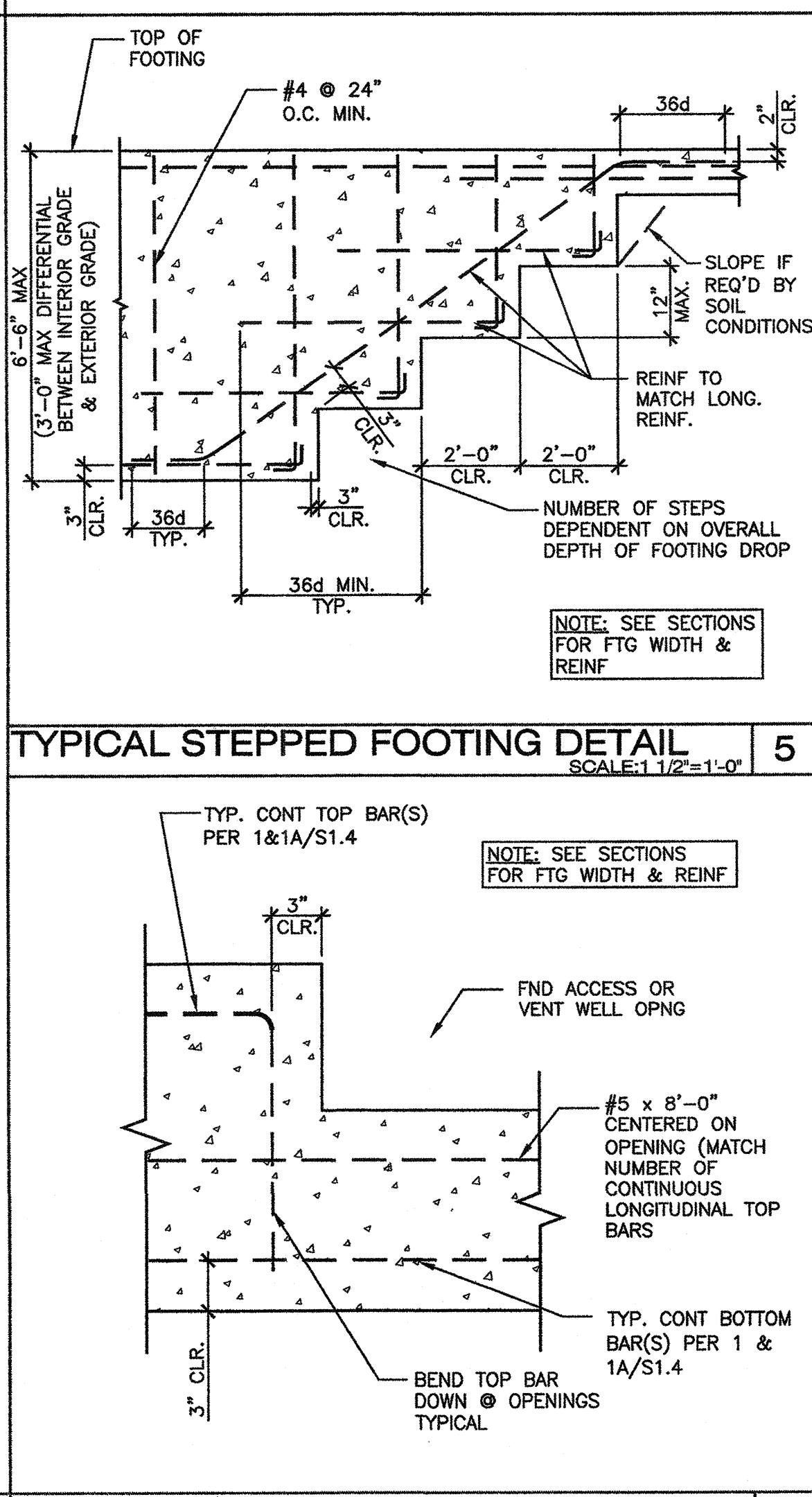
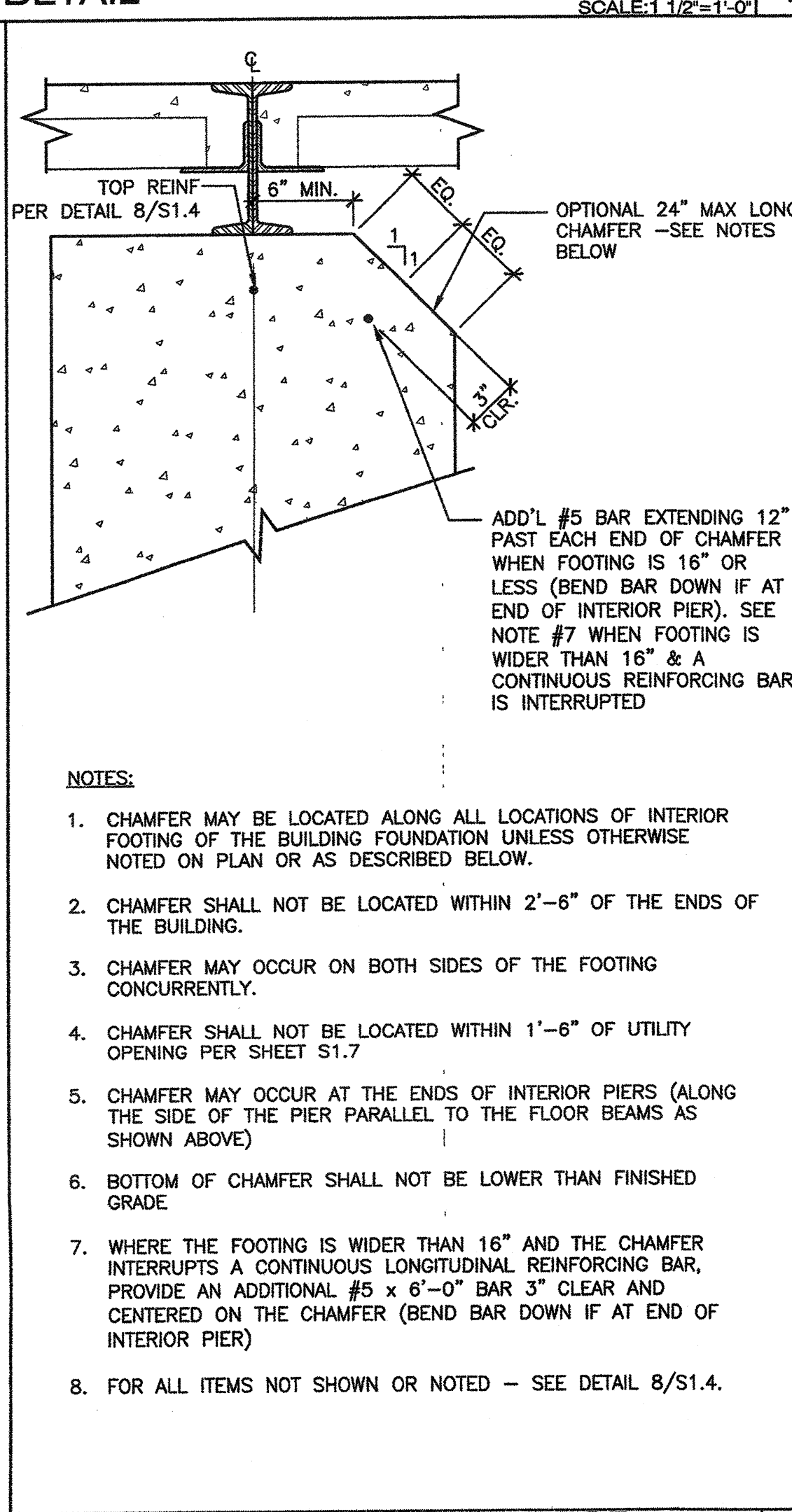
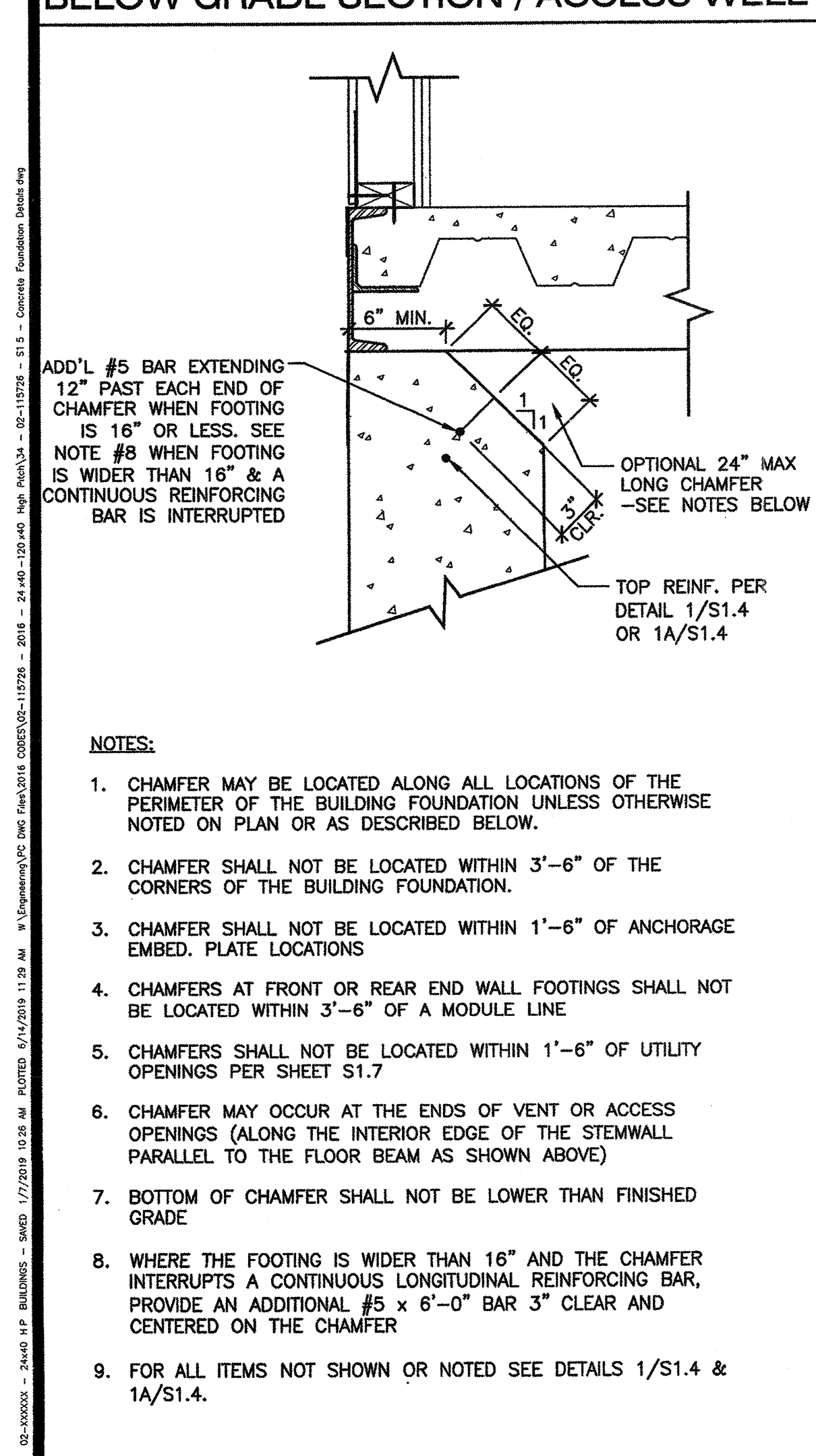
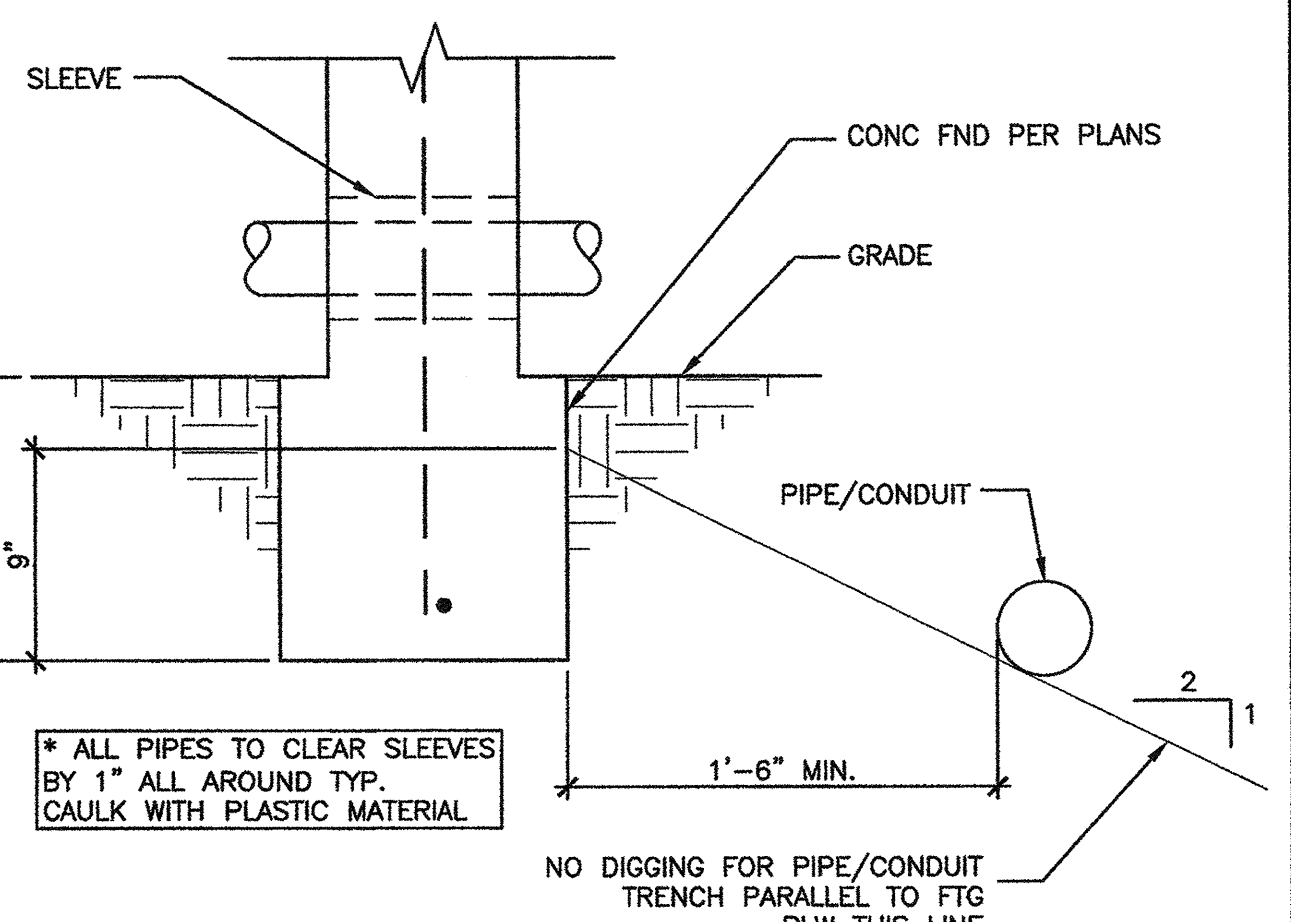




INTELLECTUAL PROPERTY & PROPRIETARY RIGHTS STATEMENT
COPYRIGHT © AMERICAN MODULAR SYSTEMS (AMS)
AMS OWNS ALL COPYRIGHT AND OTHER INTELLECTUAL PROPERTY AND PROPRIETARY RIGHTS IN THESE DRAWINGS, SPECIFICATIONS, AND THE MATERIAL CONTAINED HEREIN. CERTAIN ELEMENTS SHOWN IN THESE DRAWINGS ARE REGISTERED TRADEMARKS OF AMS. ALL PATENTABLE MATERIALS CONTAINED IN THESE DRAWINGS AND SPECIFICATIONS ARE THE PROPERTY OF AMS. NO PART OF THESE DRAWINGS OR SPECIFICATIONS MAY BE REPRODUCED, TRANSMITTED, COPIED, DISTRIBUTED, MODIFIED, OR OTHERWISE DISPOSED OF (DIRECTLY OR INDIRECTLY) AND MAY NOT BE USED IN WHOLE OR IN PART TO ASSIST IN THE CONSTRUCTION, DESIGN, OR OTHER MAKING OF OR PART TO ASSIST IN THE MAKING OF ANY BUILDING, MODULE, OR OTHER STRUCTURE, OR OTHER SPECIFICATION, PRINTS, APPARATUS, OR PARTS THEREOF, EXCEPT AS EXPRESSLY AUTHORIZED BY WRITTEN CONSENT OF AMS IN A WRITTEN AGREEMENT WITH AMS. SUBMITTAL OR DISTRIBUTION TO MEET OFFICIAL REGULATORY REQUIREMENTS WILL NOT BE CONSIDERED AS PUBLICATION IN VIOLATION OF AMS'S COPYRIGHT OR OTHER INTELLECTUAL PROPERTY OR PROPRIETARY RIGHTS.



- NOTES:**
- AS AN OPTION TO INDIVIDUAL PIPE SLEEVES, THE FOOTING MAY BE BLOCKED OUT FOR MULTIPLE PIPES (10" HIGH x 24" WIDE MAX @ OPTION "A", 8" HIGH x 24" WIDE MAX @ OPTION "B") OR INDIVIDUAL PIPES PROVIDE 1" MIN. CLEARANCE ALL AROUND BETWEEN PIPES/CONDUITS & BLOCKOUT/SLEEVES & FILL w/ CAULK.
 - CONCRETE SHALL BE WELL CONSOLIDATED AROUND & UNDER PIPES, CONDUITS, SLEEVES, BLOCKOUTS TO PREVENT CONCRETE VOIDS.
 - PROVIDE 2" CLEAR MIN BETWEEN BLOCKOUT SLEEVES AND REINFORCEMENT.
 - WHERE TOP OF PIPES/CONDUITS ARE 12" OR MORE BELOW THE BOTTOM OF THE FOOTING, THICKENED FOOTING AROUND PIPES/CONDUITS IS NOT REQUIRED. BACKFILL & COMPACT TO 95% OVER PIPES / CONDUITS PRIOR TO PLACING FOOTING.



NOT USED

CHAMFER DETAILS @ PERIMETER SCALE: 1/2"=1'-0" 3

CHAMFER DETAILS @ INTERIOR SCALE: 1/2"=1'-0" 4

VENT/ACCESS OPENING DETAIL SCALE: 1/2"=1'-0" 6

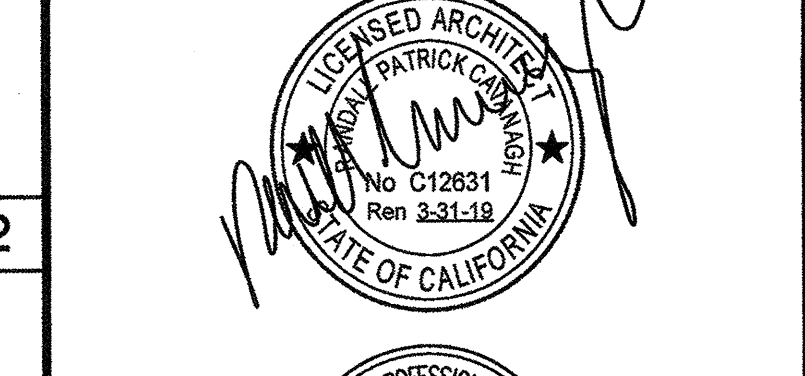
NOT USED 7

24'x40' THRU 120'x40' HIGH PITCH MODULAR BUILDINGS

SITE SPECIFIC PROJECT NAME

SHEET TITLE
CONCRETE FOUNDATION DETAILS

MANUFACTURER PROFESSIONAL OF RECORD ON PC



THESE DRAWINGS ARE PRELIMINARY AND NOT FOR CONSTRUCTION UNLESS STAMPED & SIGNED BY THE ENGINEER OF RECORD

PROJECT SPECIFIC STATE AGENCY APPROVAL

IDENTIFICATION STAMP
DIV. OF THE STATE ARCHITECT
PC 02-115726
AC: FLS: SS: JF
DATE: 6-21-2017

ORIGINAL PC STATE AGENCY APPROVAL

IDENTIFICATION STAMP
DIV. OF THE STATE ARCHITECT
PC 02-115726
AC: FLS: SS: JF
DATE: 6-21-2017

PRE-CHECK (PC) DOCUMENT
CODE: 2016 CBC
A SEPARATE PROJECT APPLICATION FOR CONSTRUCTION IS REQUIRED

REVISIONS
GENERAL REVISIONS - 01/02/19

DRAWN BY: _____
SCALE: AS NOTED
DATE: _____

SHEET NUMBER

S1.5-02