



787 Spreckels Ave., Manteca, CA 95336
Phone (209) 826-1921 - Fax (209) 826-7018
www.americanmodular.com

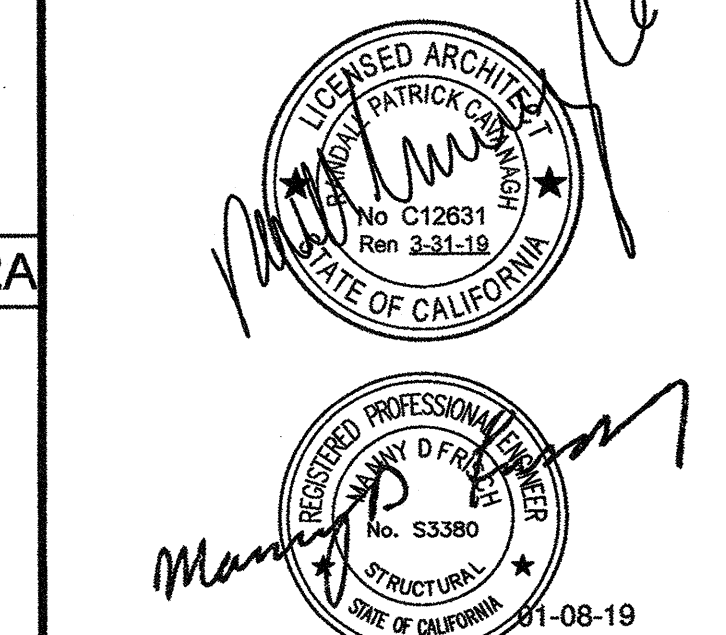
INTELLECTUAL PROPERTY & PROPRIETARY RIGHTS STATEMENT
COPYRIGHT © AMERICAN MODULAR SYSTEMS (AMS)
AMS OWNS ALL COPYRIGHT AND OTHER INTELLECTUAL PROPERTY AND PROPRIETARY RIGHTS IN THESE DRAWINGS, SPECIFICATIONS, AND THE MATERIAL CONTAINED HEREIN. NO PART OF THESE DOCUMENTS MAY BE REPRODUCED, TRANSMITTED, COPIED, DISTRIBUTED, MODIFIED, OR OTHERWISE DISPOSED OF DIRECTLY OR INDIRECTLY WITHOUT THE WRITTEN CONSENT OF AMS. ANY SUCH USE, IN WHOLE OR IN PART, TO ASSIST IN THE CONSTRUCTION, DESIGN, OR OTHER PURPOSES OF ANY PROJECT, WITHOUT THE WRITTEN CONSENT OF AMS, IS EXPRESSLY PROHIBITED. ANY SUCH USE, IN WHOLE OR IN PART, TO ASSIST IN THE CONSTRUCTION, DESIGN, OR OTHER PURPOSES OF ANY PROJECT, WITHOUT THE WRITTEN CONSENT OF AMS, IS EXPRESSLY PROHIBITED. ANY SUCH USE, IN WHOLE OR IN PART, TO ASSIST IN THE CONSTRUCTION, DESIGN, OR OTHER PURPOSES OF ANY PROJECT, WITHOUT THE WRITTEN CONSENT OF AMS, IS EXPRESSLY PROHIBITED.

24x40 THRU 120x40' HIGH PITCH MODULAR BUILDINGS

SITE SPECIFIC PROJECT NAME

CONCRETE FOUNDATION DETAILS

MANUFACTURER PROFESSIONAL OF RECORD ON PC



THESE DRAWINGS ARE PRELIMINARY AND NOT FOR CONSTRUCTION UNLESS SHOWN & SIGNED BY THE ENGINEER OF RECORD

PROJECT SPECIFIC STATE AGENCY APPROVAL

IDENTIFICATION STAMP
DIV. OF THE STATE ARCHITECT
02 117846
AC FLS SS
DATE 6-21-2019

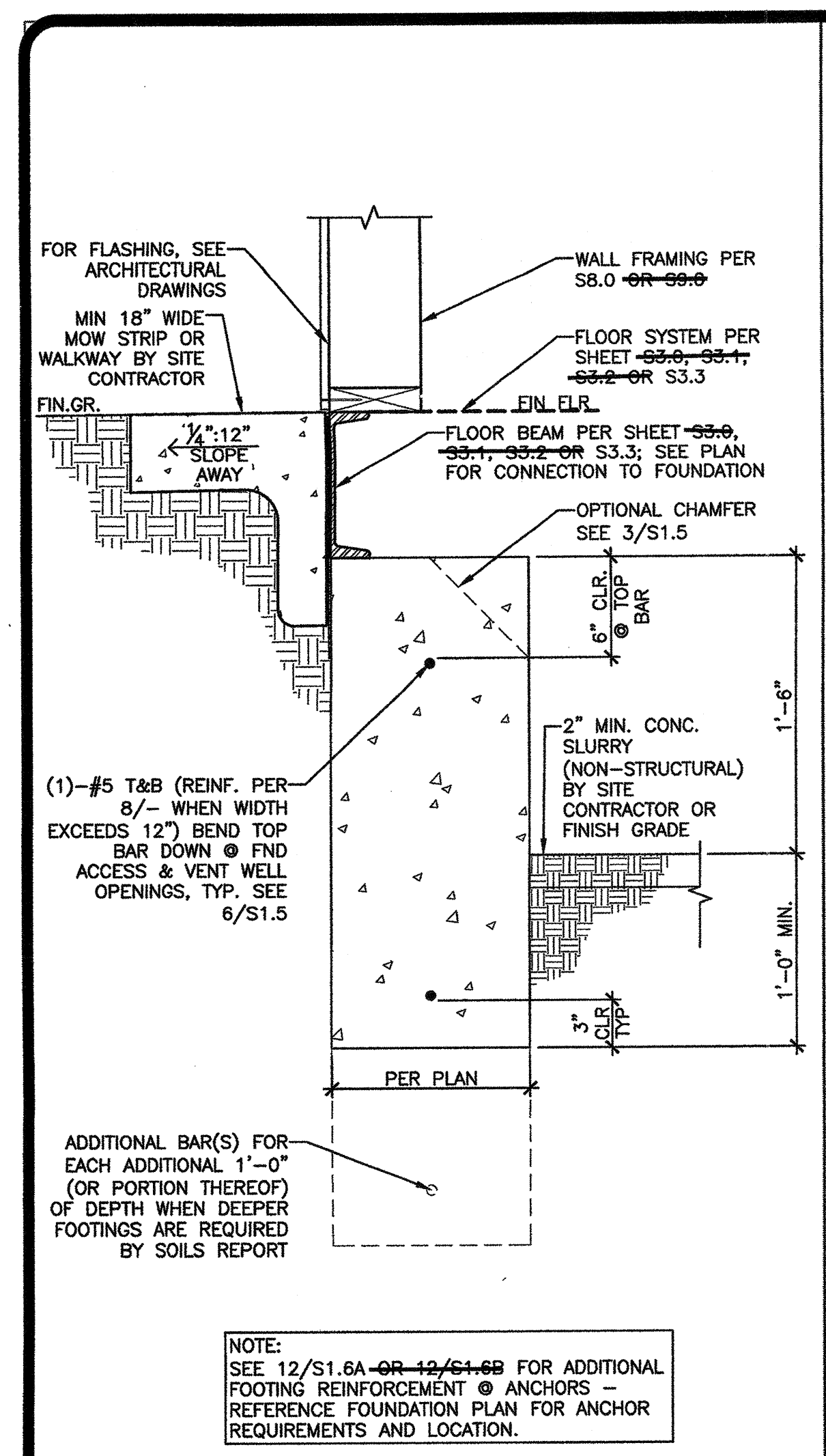
ORIGINAL PC STATE AGENCY APPROVAL
IDENTIFICATION STAMP
DIV. OF THE STATE ARCHITECT
PC 02-115726
AC FLS SS
DATE 6-21-2019

PRE-CHECK (PC) DOCUMENT
CODE 2016 CBC
A SEPARATE PROJECT APPLICATION FOR CONSTRUCTION IS REQUIRED

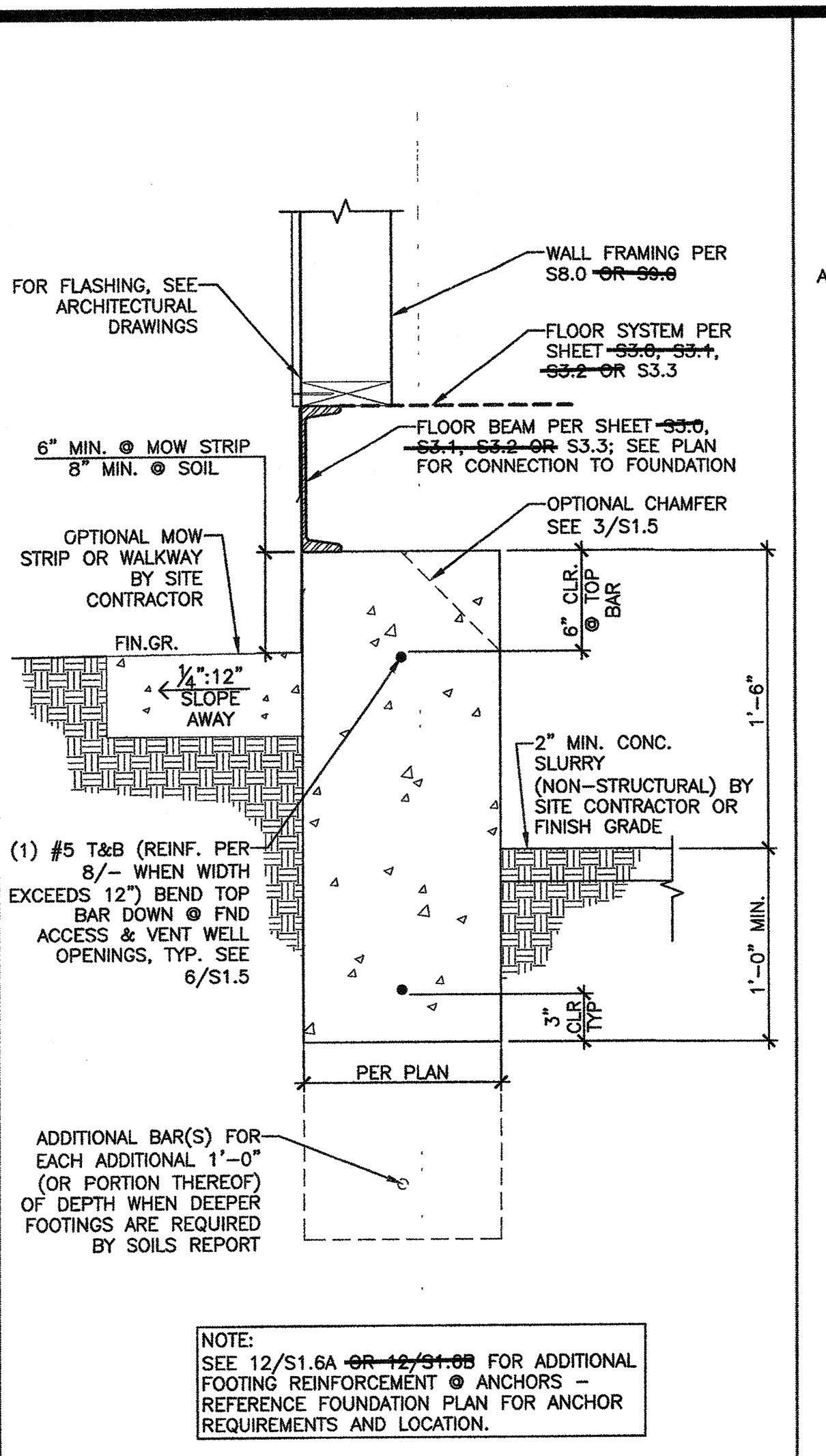
REVISIONS
GENERAL REVISIONS - 01/02/19

DRAWN BY:
SCALE: AS NOTED
DATE:
SHEET NUMBER

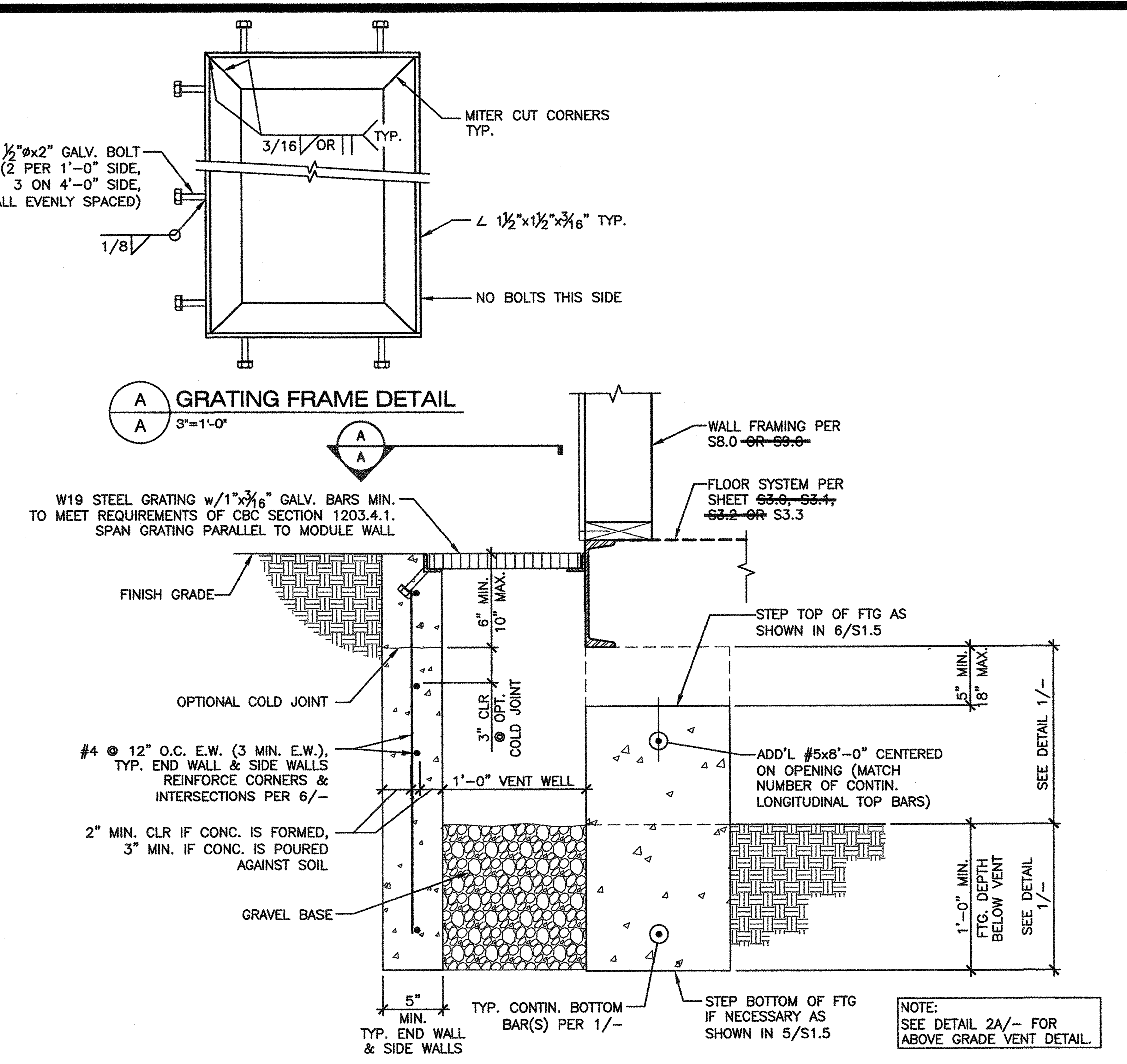
S1.4-02



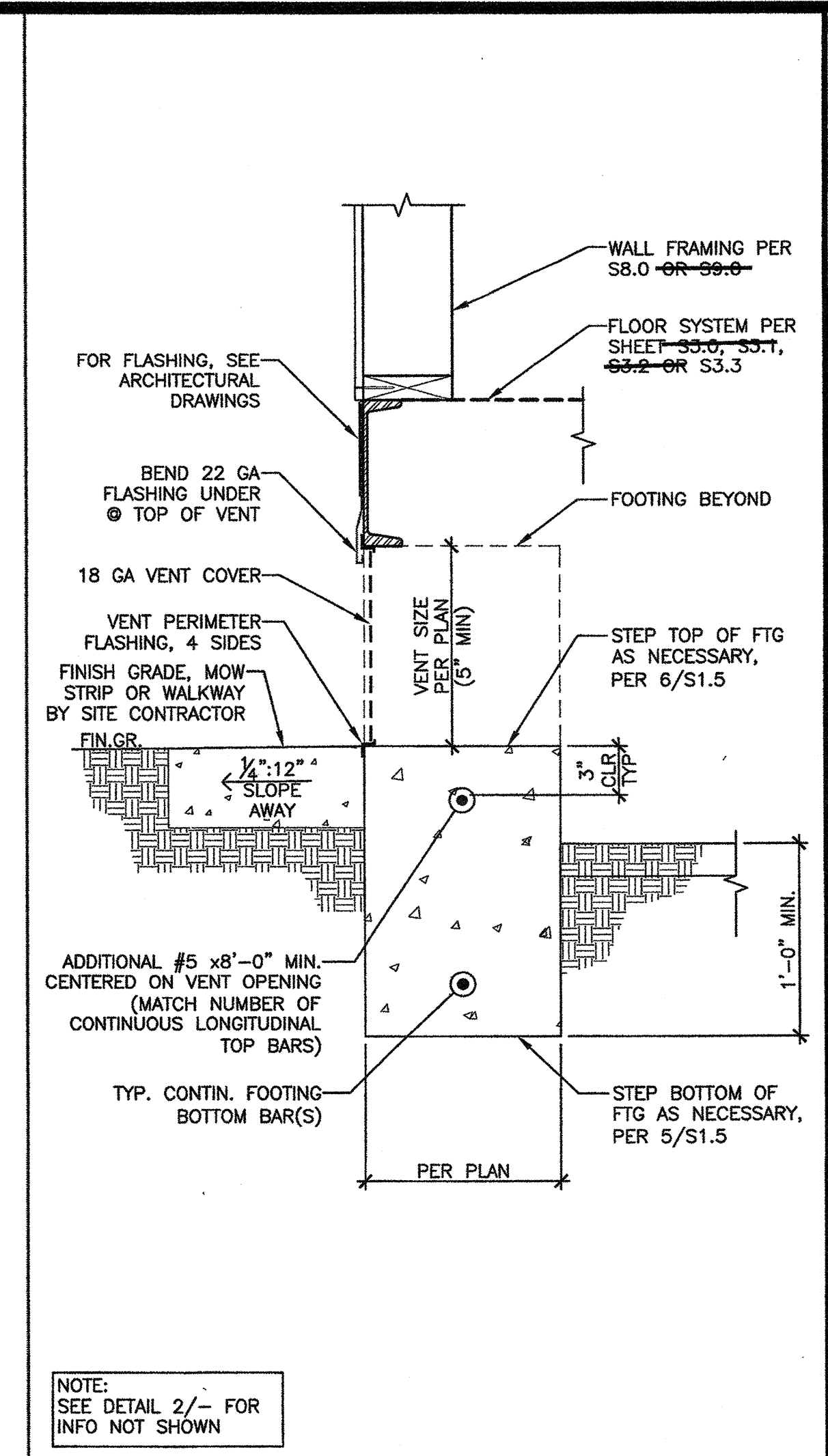
TYP. FOOTING - BELOW GRADE SCALE 1-1/2" = 1'-0" 1



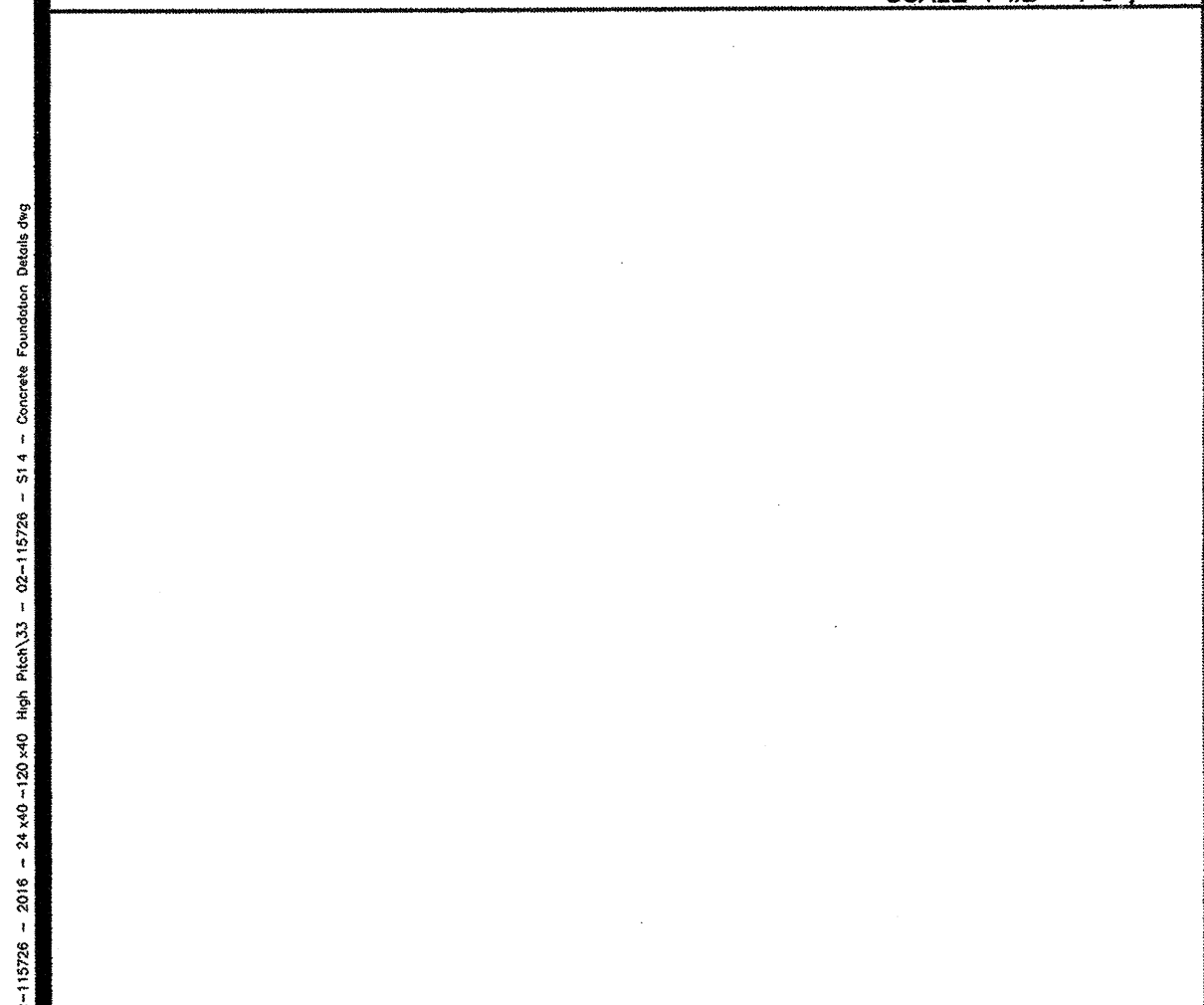
TYP. FOOTING - ABOVE GRADE SCALE 1-1/2" = 1'-0" 1A



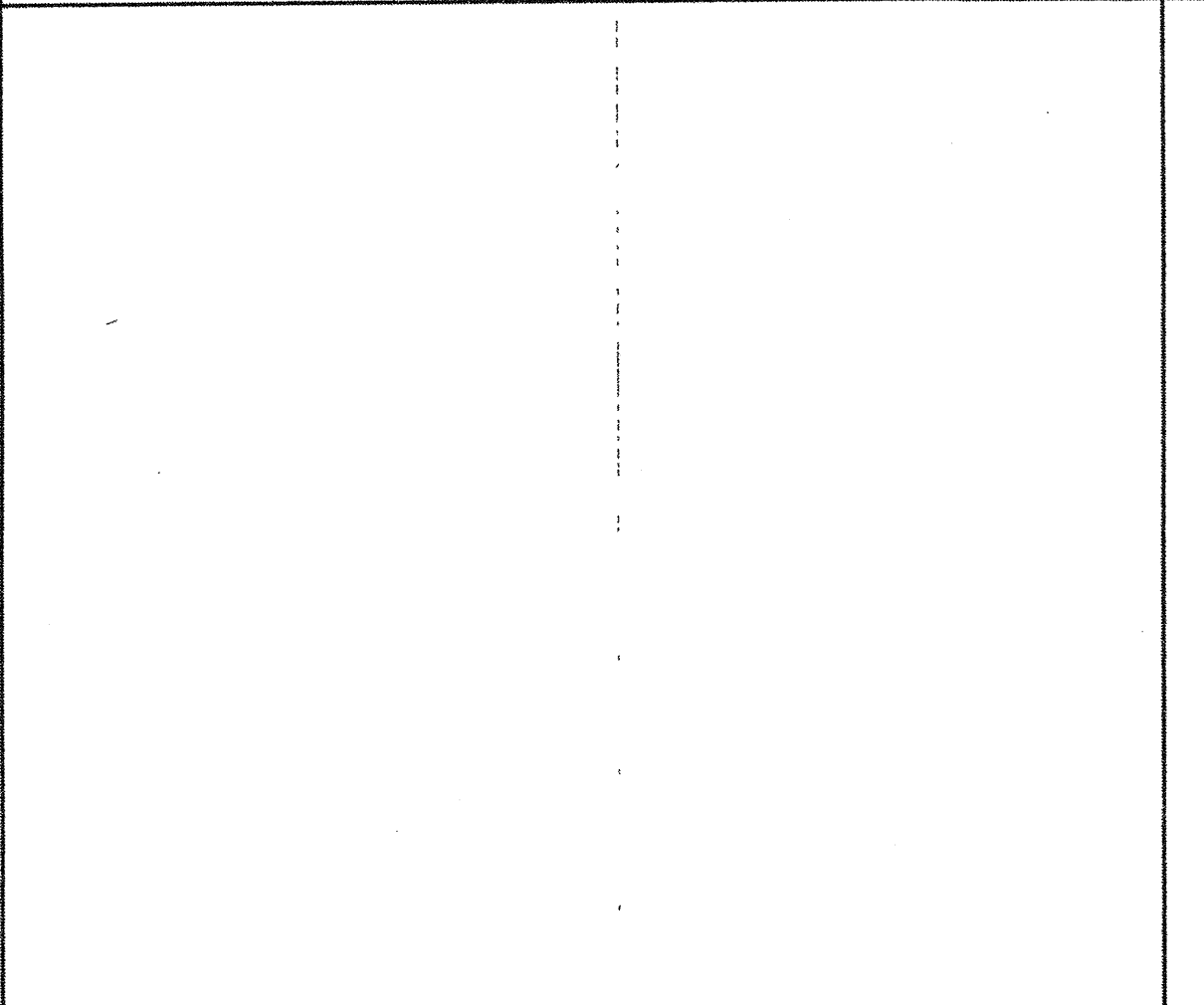
TYP. VENT DETAIL - BELOW GRADE SCALE 1-1/2" = 1'-0" 2



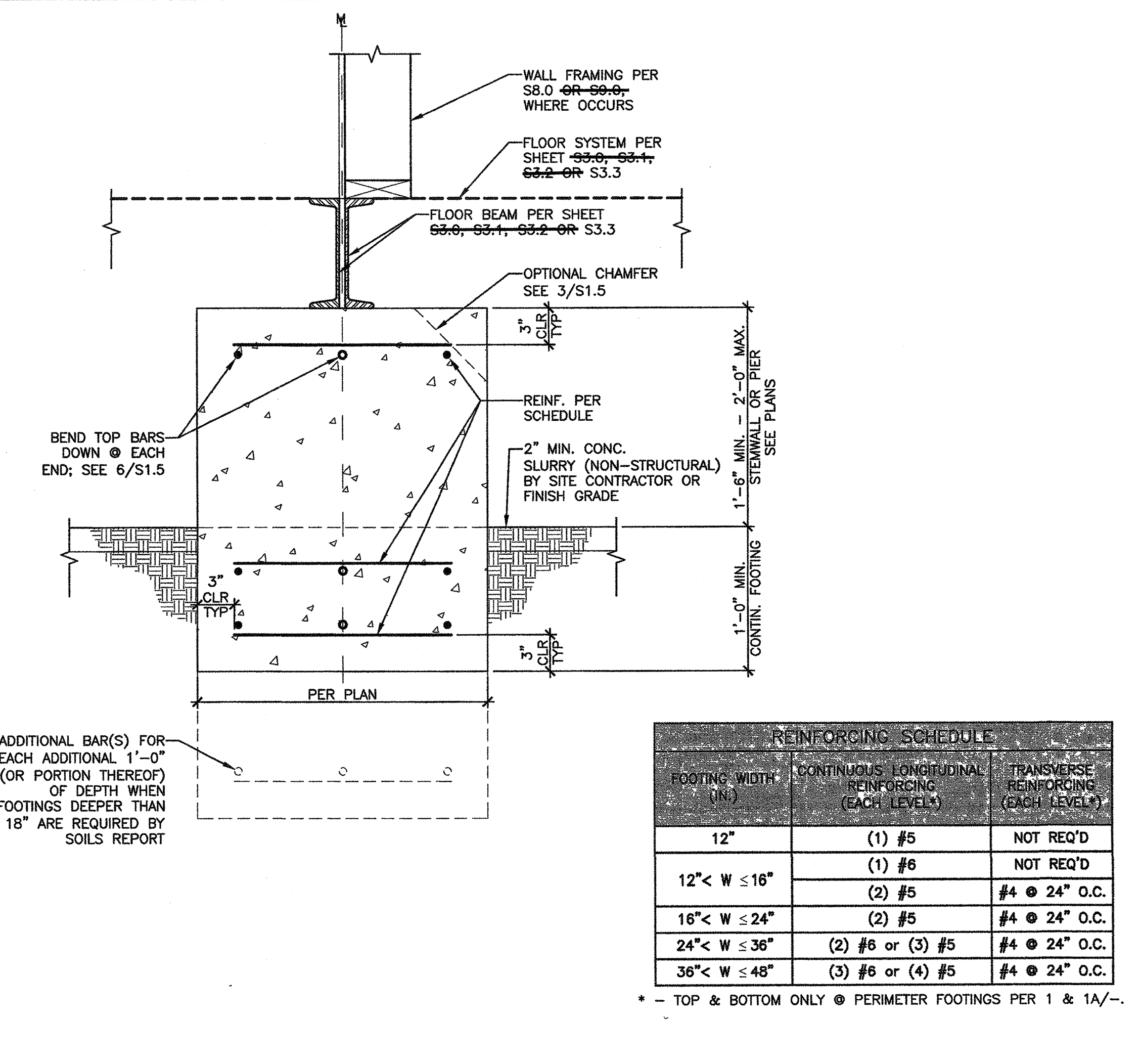
TYP. VENT DETAIL - ABOVE GRADE SCALE 1-1/2" = 1'-0" 2A



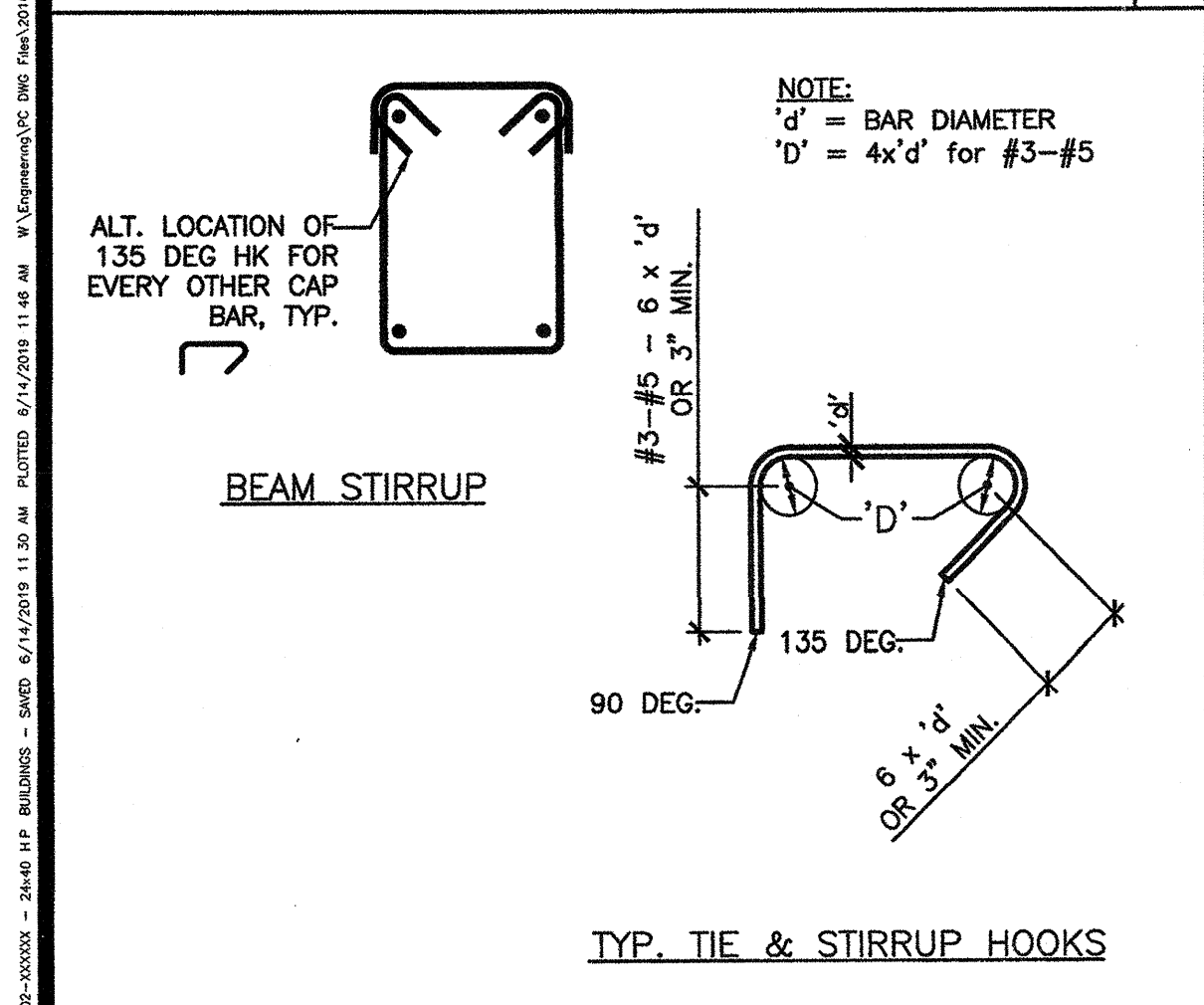
NOT USED 3



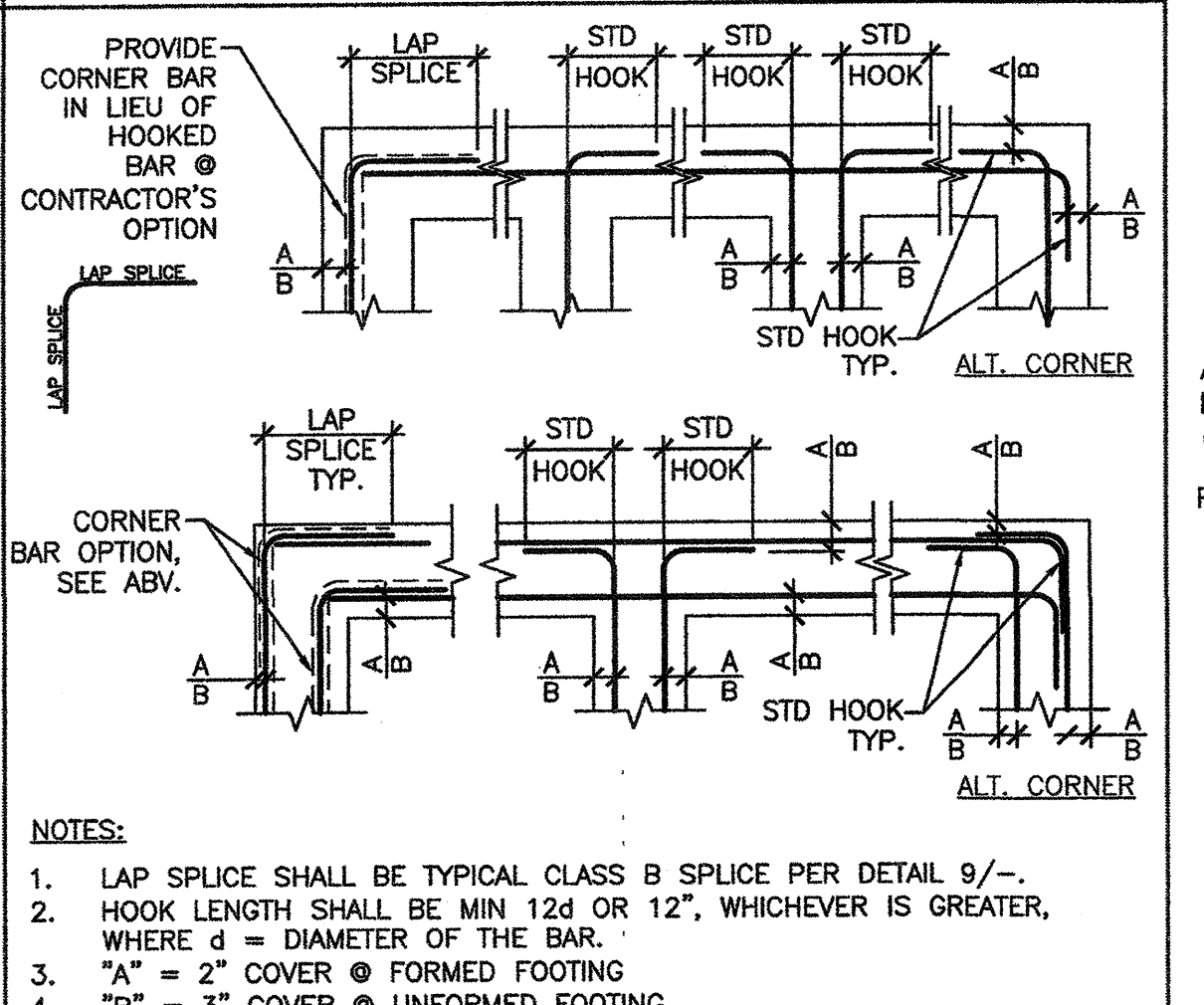
NOT USED 3A



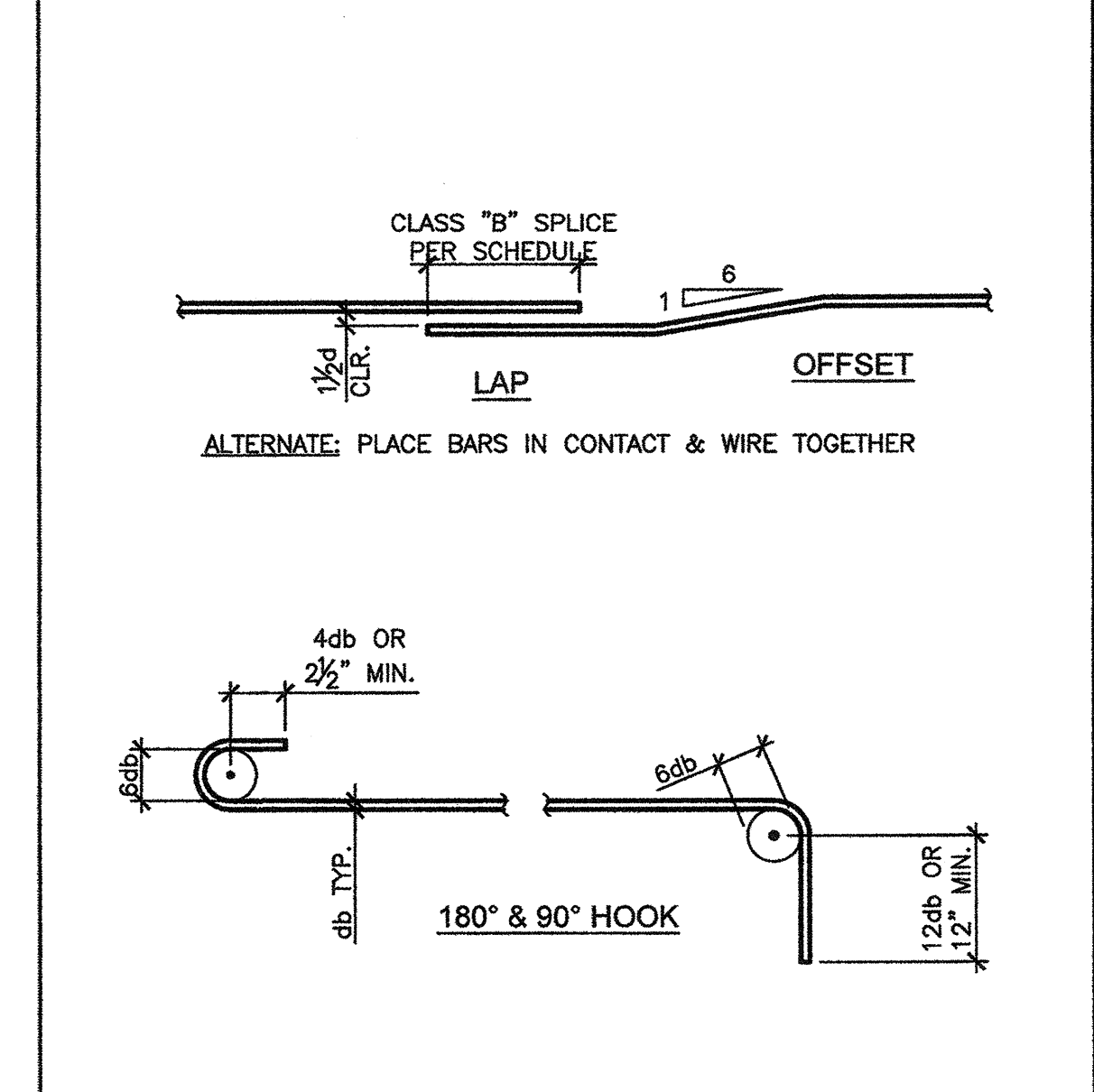
TYPICAL CENTER PIER SECTION SCALE 1-1/2" = 1'-0" 8



TYPICAL HOOP-STIRRUP DETAIL SCALE 1-1/2" = 1'-0" 5



TYPICAL FOOTING REINFORCING SCALE 1-1/2" = 1'-0" 6



BAR SIZE	DEVELOPMENT LENGTH				TYPICAL CLASS B LAP SPLICING LENGTH				
	3000 PSI	3500 PSI	4000 PSI	4000 PSI	TOP (IN)	BOTTOM (IN)	TOP (IN)	BOTTOM (IN)	
3	13	12	12	21	16	20	16	20	16
4	17	16	15	28	22	26	20	24	19
5	21	20	18	35	27	33	25	30	24
6	25	23	22	42	32	39	30	36	28

NOTES:
1. THE ABOVE TABLE IS BASED ON GRADE 60 STEEL.
2. TOP BARS ARE ANY BARS WITH MORE THAN 12" OF CONCRETE PLACED BELOW.
3. DEVELOPMENT LENGTH IS CALCULATED FOR TYP. BARS - $\lambda = 1.0$
4. LAP SPLICES IN ADJACENT BARS SHALL BE STAGGERED, UNLESS OTHERWISE NOTED.

TYP. REINFORCING LAPS & BENDS SCALE 1-1/2" = 1'-0" 9

FOOTING WIDTH (IN)	CONTINUOUS LONGITUDINAL REINFORCING (EACH LEVEL)		TRANSVERSE REINFORCING (EACH LEVEL)	
	(1)	(2)	(3)	(4)
12"	(1) #5	NOT REQ'D	(1) #5	NOT REQ'D
12" < W ≤ 16"	(1) #6	NOT REQ'D	(1) #6	NOT REQ'D
16" < W ≤ 24"	(2) #5	#4 @ 24" O.C.	(2) #5	#4 @ 24" O.C.
24" < W ≤ 36"	(2) #6 or (3) #5	#4 @ 24" O.C.	(2) #6 or (3) #5	#4 @ 24" O.C.
36" < W ≤ 48"	(3) #6 or (4) #5	#4 @ 24" O.C.	(3) #6 or (4) #5	#4 @ 24" O.C.

* - TOP & BOTTOM ONLY @ PERIMETER FOOTINGS PER 1 & 1A/-