



INTELLECTUAL PROPERTY & PROPRIETARY RIGHTS STATEMENT
COPYRIGHT © AMERICAN MODULAR SYSTEMS (AMS)
AMS OWNS ALL COPYRIGHT AND OTHER INTELLECTUAL-PROPERTY AND PROPRIETARY RIGHTS IN THESE DRAWINGS, SPECIFICATIONS, AND THE MATERIAL CONTAINED HEREIN. CERTAIN ELEMENTS SHOWN IN THESE DOCUMENTS ARE REGISTERED TRADEMARKS OF AMS. ALL PATENTABLE MATERIALS CONTAINED IN THESE DOCUMENTS AND ORIGINATING WITH AMS WILL REMAIN THE SOLE PROPERTY OF AMS. THESE DRAWINGS, SPECIFICATIONS, AND THE MATERIAL CONTAINED HEREIN MAY NOT BE REPRODUCED, TRANSMITTED, COPIED, DISTRIBUTED, MODIFIED, OR OTHERWISE DISPOSED OF (DIRECTLY OR INDIRECTLY) AND MAY NOT BE USED (IN WHOLE OR IN PART) TO ASSIST IN THE CONSTRUCTION, DESIGN, OR OTHER MAKING OF OR FOR THE PURPOSE OF FURNISHING ANY INFORMATION FOR THE CONSTRUCTION DESIGN OR OTHER MAKING OF ANY BUILDINGS (MODULAR OR OTHERWISE) DRAWINGS, SPECIFICATIONS, PARTS, APPARATUS, OR PARTS THEREOF, EXCEPT AS EXPRESSLY PERMITTED BY WRITTEN CONSENT OF OR IN A WRITTEN AGREEMENT WITH AMS. SUBMITTING OR CONTRIBUTING TO MEET OPTION REGULATORY REQUIREMENTS WILL NOT BE CONSTRUED AS PUBLICATION IN VIOLATION OF AMS' COPYRIGHT OR OTHER INTELLECTUAL-PROPERTY OR PROPRIETARY RIGHTS.

PRE-CHECKED SET NAME
24'x40' THRU 120'x40' HIGH PITCH MODULAR BUILDINGS

SITE SPECIFIC PROJECT NAME

SHEET TITLE
TYPICAL EXTERIOR ELEVATION SYNTHETIC - STUCCO OPTION

MANUFACTURER PROFESSIONAL OF RECORD ON PC

THESE DRAWINGS ARE PRELIMINARY AND NOT FOR CONSTRUCTION UNLESS STAMPED & SIGNED BY THE ENGINEER OF RECORD

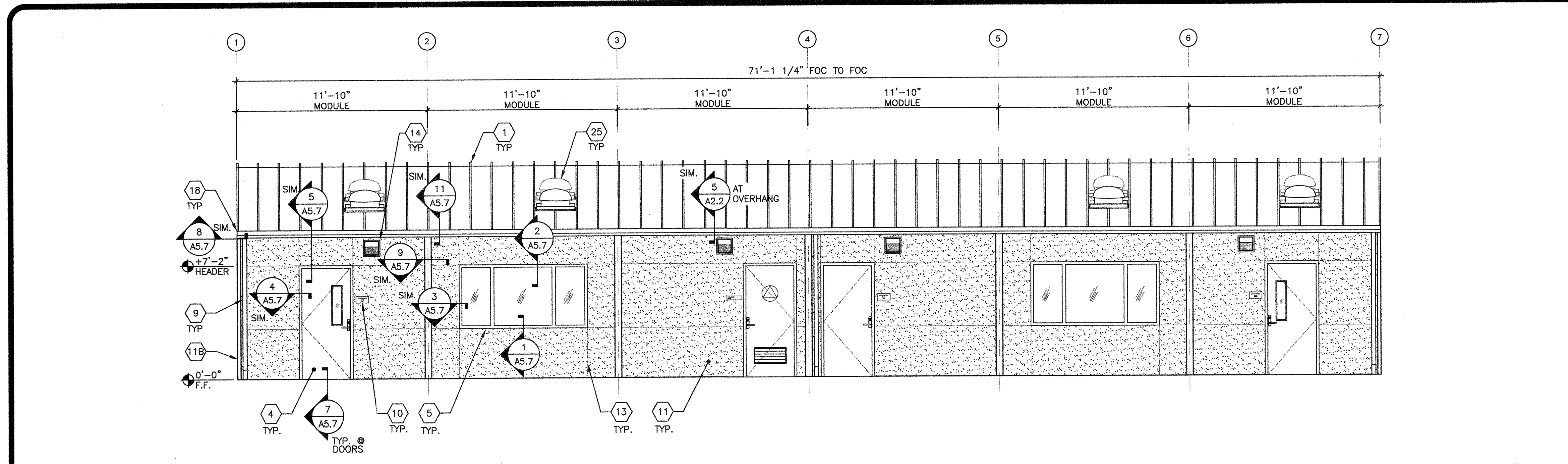
PROJECT SPECIFIC STATE AGENCY APPROVAL

ORIGINAL PC STATE AGENCY APPROVAL
BASED ON PC# 02-115726
PRE-CHECK (PC) DOCUMENT
CODE: 2016 CBC
A SEPARATE PROJECT APPLICATION FOR CONSTRUCTION IS REQUIRED.

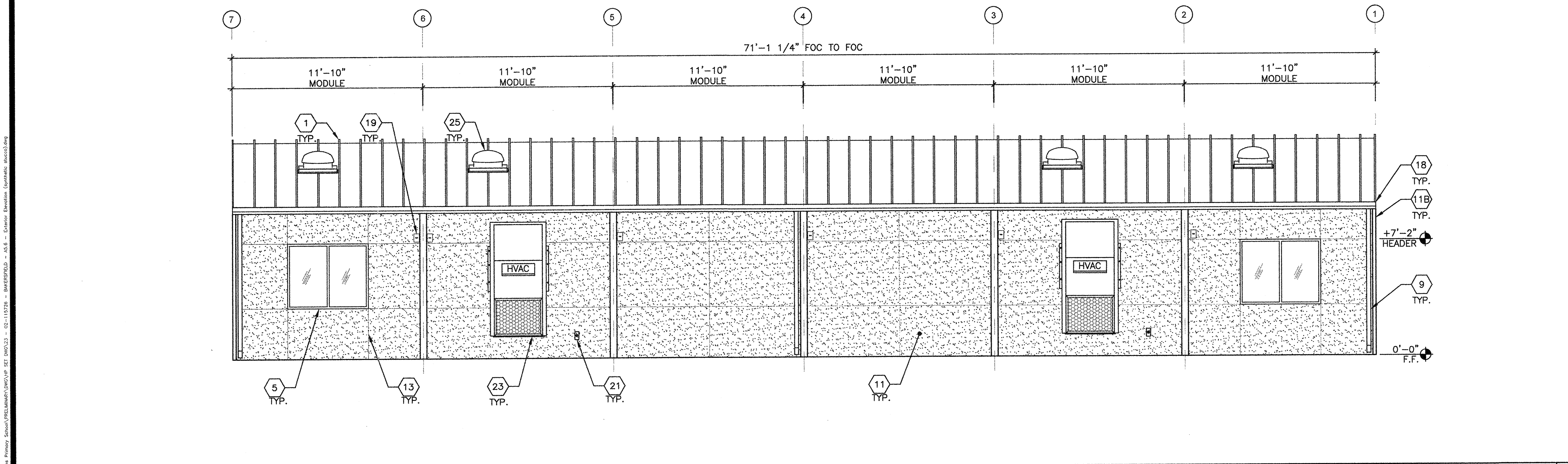
REVISIONS

DRAWN BY: AH
SCALE: AS NOTED
DATE: 06/20/19
SHEET NUMBER

A5.6C-02



KINDER BUILDING 3 EXTERIOR ELEVATION - FRONT SCALE: 1/4"=1'-0"



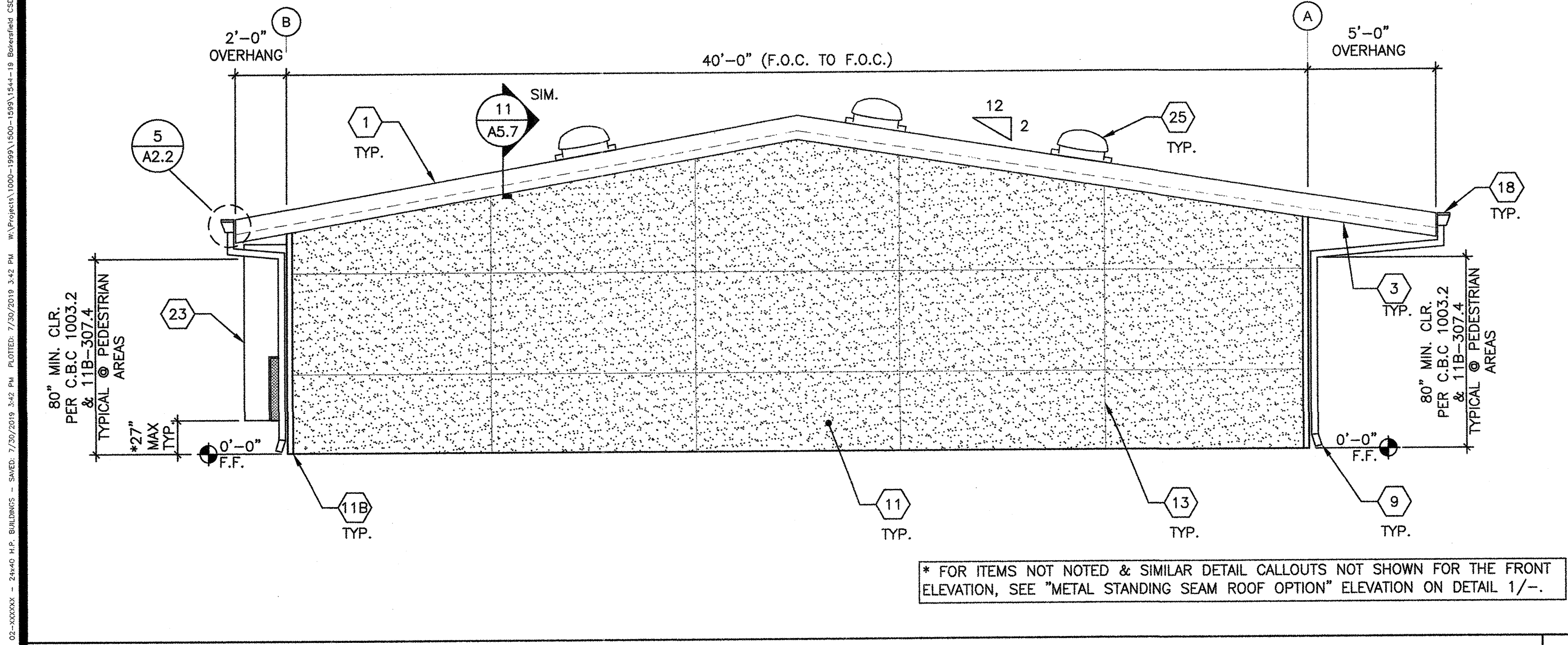
KINDER BUILDING 3 EXTERIOR ELEVATION - REAR SCALE: 1/4"=1'-0"

- 1 STANDING SEAM METAL ROOFING
- 1A NOT USED
- 2 NOT USED
- 3 OVERHANG - SEE STRUCTURAL
- 4 TYP. EXTERIOR DOOR - SEE SCHEDULE SHEET N3.0
- 5 WINDOW - SEE SCHEDULE SHEET N3.0
- 6 NOT USED
- 7 NOT USED
- 8 NOT USED
- 9 DOWNSPOUT SEE DETAIL 8/A5.7 FOR ATTACHMENT
- 10 ROOM ID AND ISA SIGNAGE (BY OTHER) SEE DETAILS 5 & 9/N4.0 - TYP..
- 11 SYNTHETIC STUCCO FINISH
- 12 NOT USED
- 13 18 GA. FLASHING TRIM
- 14 NOT USED
- 15 CONTROL JOINT LOCATION MAY VARY- SIMILAR DETAIL 9/A5.3 @ STUDS
- 16 EXTERIOR LIGHT - SEE ELECTRICAL
- 17 NOT USED
- 18 NOT USED
- 19 GUTTER - SEE ATTACHMENT DETAIL 3/A2.1 AT METAL STANDING SEAM ROOFING
- 20 MODULAR IDENTIFICATION TAG +90" ABOVE A.F.F.
- 21 NOT USED
- 22 WP/G.F.C.I. @ HVAC UNITS - REFER TO ELECTRICAL PLANS
- 23 NOT USED
- 24 HVAC UNIT
- 25 NOT USED
- 26 SOLA-TUBE - SEE DETAIL 1/M1.6

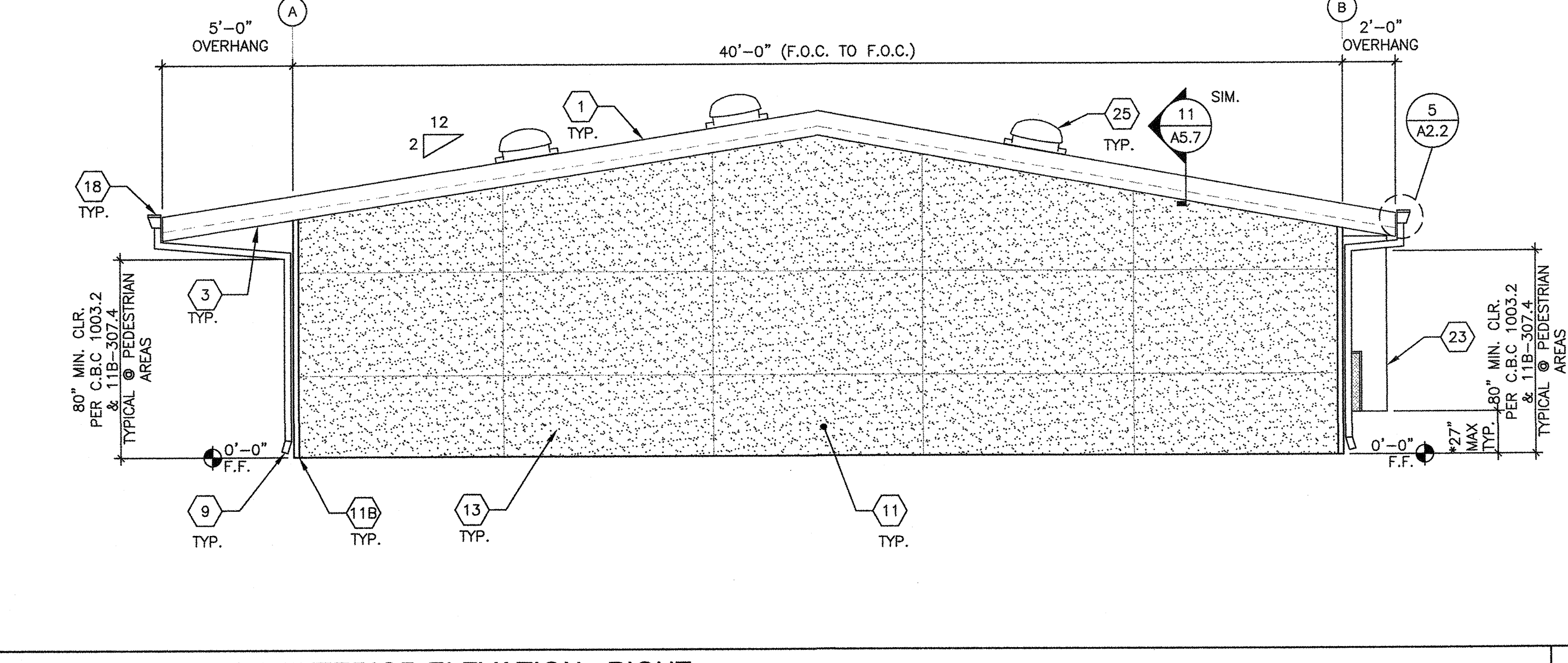
KEYNOTES

BUILDING SIZE SCHEDULE			
BUILDING SIZE (FT)	TOTAL # OF 12'-0" WIDE MODULES	TOTAL # OF CENTER MODULES	TOTAL FROM WIDTH
24'x40'	2	0	23'-8 1/2"
36'x40'	3	1	35'-8 1/2"
48'x40'	4	2	47'-5"
60'x40'	5	3	59'-3 1/4"
72'x40'	6	4	71'-1 1/2"
84'x40'	7	5	82'-11 1/4"
96'x40'	8	6	94'-10"
108'x40'	9	7	106'-8 1/4"
120'x40'	10	8	118'-8 1/4"

NOTES:
1. TOTAL BUILDING WIDTH INCLUDES 1/4" PER MODULE CONSTRUCTION TOLERANCE PER FOUNDATION SHEETS S1.1



KINDER BUILDING 3 EXTERIOR ELEVATION - LEFT SCALE: 1/4"=1'-0"



KINDER BUILDING 3 EXTERIOR ELEVATION - RIGHT SCALE: 1/4"=1'-0"

* FOR ITEMS NOT NOTED & SIMILAR DETAIL CALLOUTS NOT SHOWN FOR THE FRONT ELEVATION, SEE "METAL STANDING SEAM ROOF OPTION" ELEVATION ON DETAIL 1/-.