

INTELLECTUAL PROPERTY & PROPRIETARY RIGHTS STATEMENT
COPYRIGHT © AMERICAN MODULAR SYSTEMS (AMS)
AMS OWNS ALL COPYRIGHT AND OTHER INTELLECTUAL PROPERTY AND PROPRIETARY RIGHTS IN THESE DRAWINGS, SPECIFICATIONS, AND THE MATERIAL CONTAINED HEREIN. CERTAIN ELEMENTS SHOWN IN THESE DOCUMENTS ARE REGISTERED TRADEMARKS OF AMS. ALL PATENTABLE MATERIALS CONTAINED IN THESE DOCUMENTS AND ORIGINATING WITH AMS SHALL REMAIN THE SOLE PROPERTY OF AMS. THESE DRAWINGS, SPECIFICATIONS, AND THE MATERIAL CONTAINED HEREIN MAY NOT BE REPRODUCED, TRANSMITTED, COPIED, DISTRIBUTED, MODIFIED, OR OTHERWISE DISPOSED OF (DIRECTLY OR INDIRECTLY) AND MAY NOT BE USED (IN WHOLE OR IN PART) TO ASSIST IN THE CONSTRUCTION, DESIGN, OR OTHER MAKING OF, OR FOR THE PURPOSE OF, FURNISHING ANY INFORMATION FOR THE CONSTRUCTION, DESIGN, OR OTHER MAKING OF ANY BUILDINGS (MODULAR OR OTHERWISE), DRAWINGS, SPECIFICATIONS, PRINTS, APPARATUS, OR PARTS THEREOF, EXCEPT AS EXPRESSLY PERMITTED BY WRITTEN CONSENT OF, OR IN A WRITTEN AGREEMENT WITH, AMS. SUBMITTAL OR DISTRIBUTION TO MEET OFFICIAL REGULATORY REQUIREMENTS WILL NOT BE CONSTRUED AS PUBLICATION OR DEROGATION OF AMS' COPYRIGHT OR OTHER INTELLECTUAL PROPERTY OR PROPRIETARY RIGHTS. PRE-CHECKED SET NAME

24'x40' THRU 120'x40' HIGH PITCH MODULAR BUILDINGS

SITE SPECIFIC PROJECT NAME

SHEET TITLE

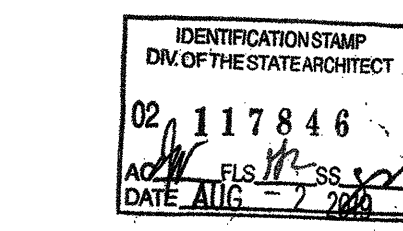
**INTERIOR ELEVATIONS
TYPICAL CLASSROOM**

MANUFACTURER PROFESSIONAL OF RECORD ON PC



THESE DRAWINGS ARE PRELIMINARY AND NOT FOR CONSTRUCTION UNLESS STAMPED & SIGNED BY THE ENGINEER OF RECORD

PROJECT SPECIFIC STATE AGENCY APPROVAL



ORIGINAL PC STATE AGENCY APPROVAL

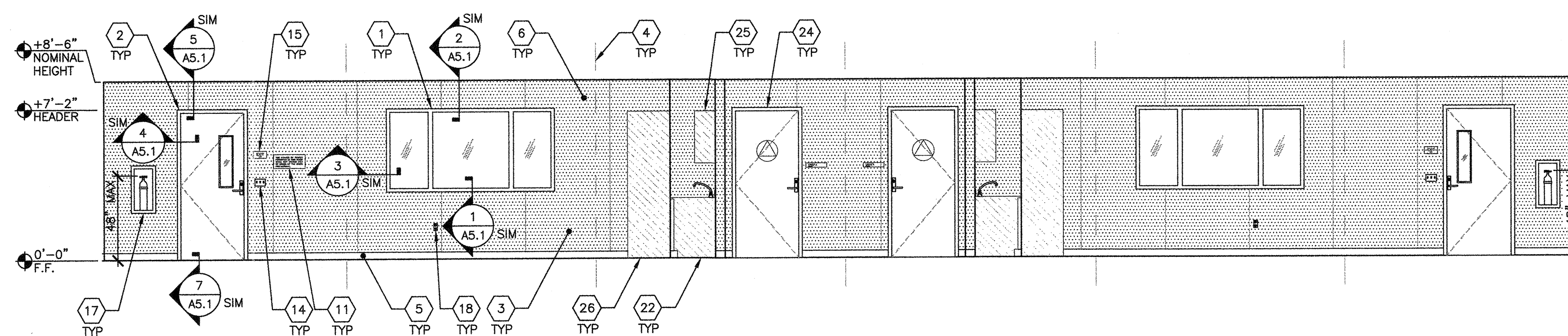
BASED ON PC# 02-115726

PRE-CHECK (PC) DOCUMENT
CODE: 2018 CBC
A SEPARATE PROJECT APPLICATION FOR CONSTRUCTION IS REQUIRED.

REVISIONS

DRAWN BY: AH
SCALE: AS NOTED
DATE: 05/20/19
SHEET NUMBER

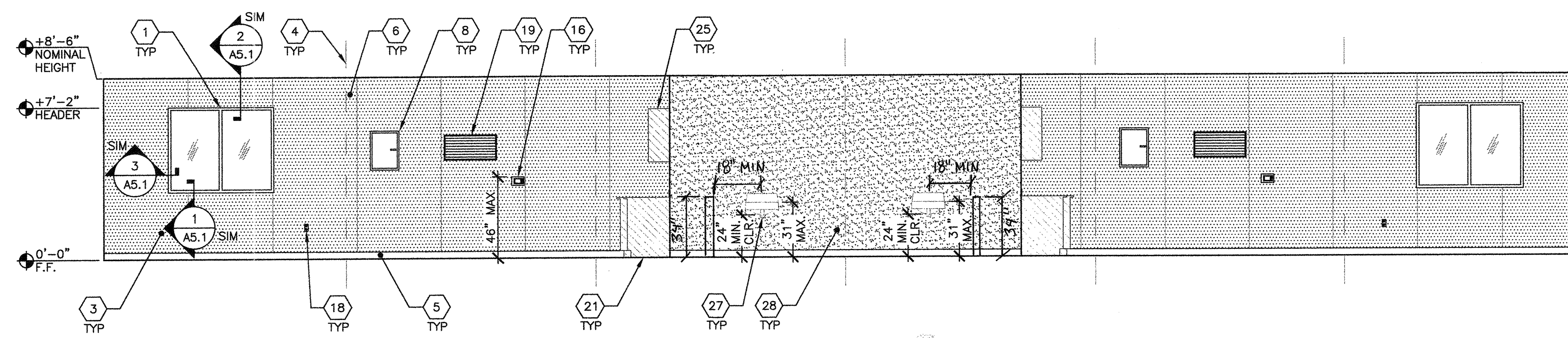
A4.0B-02



TYPICAL KINDER CLASSROOM FRONT END WALL ELEVATION

SCALE: 1/4"=1'-0"

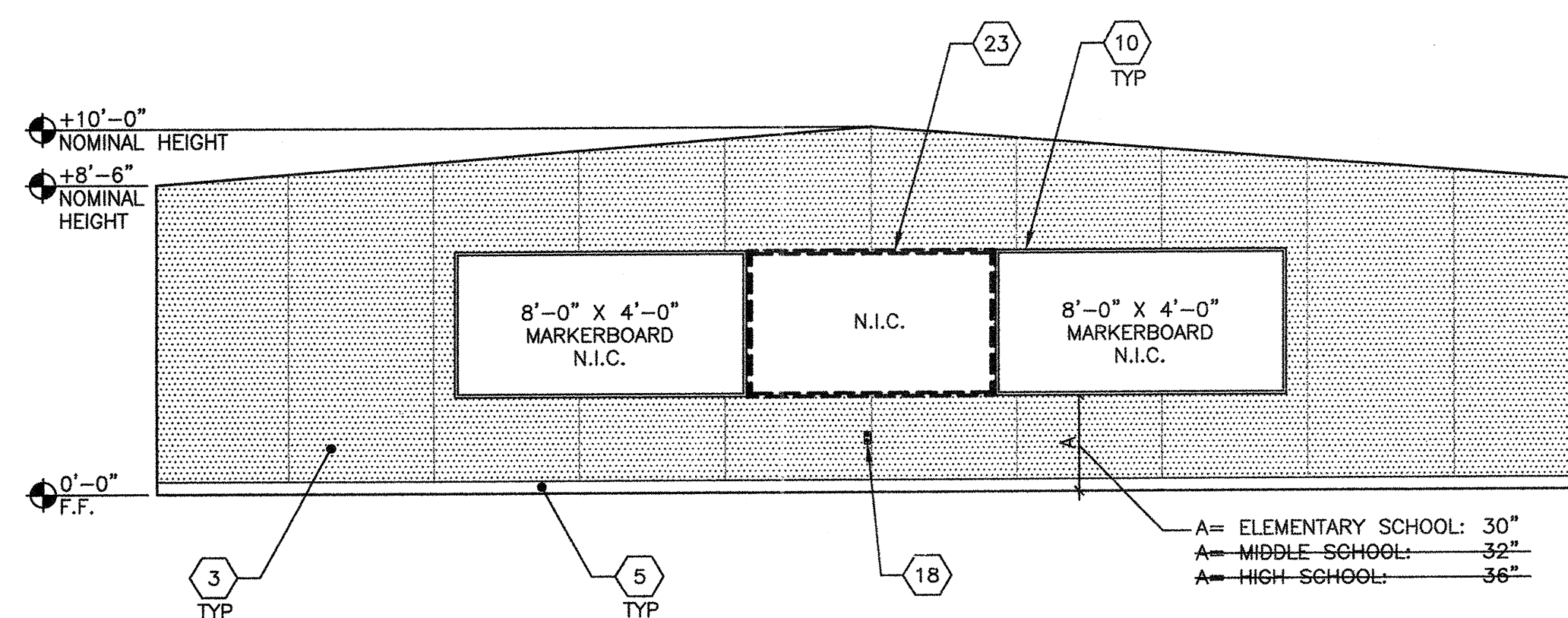
1



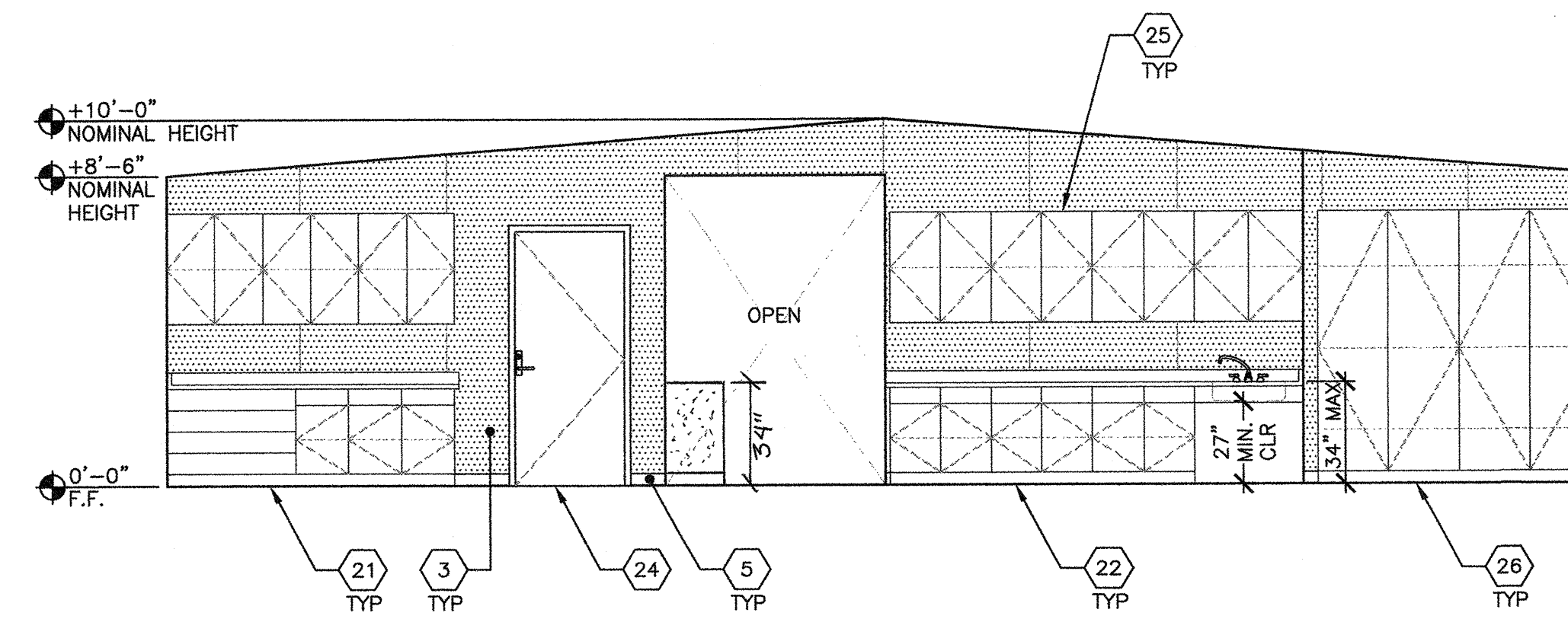
TYPICAL KINDER CLASSROOM REAR END WALL ELEVATION

SCALE: 1/4"=1'-0"

2

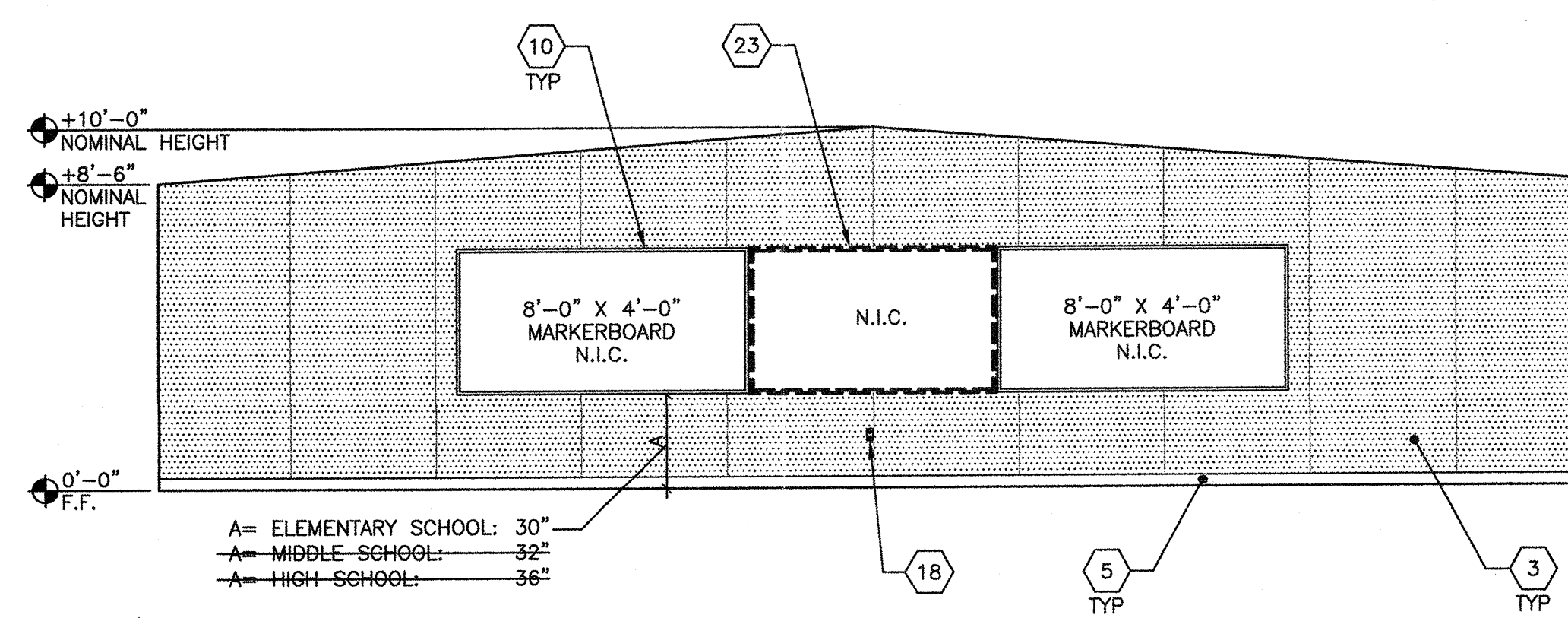


TYPICAL KINDER CLASSROOM SIDE WALL ELEVATION

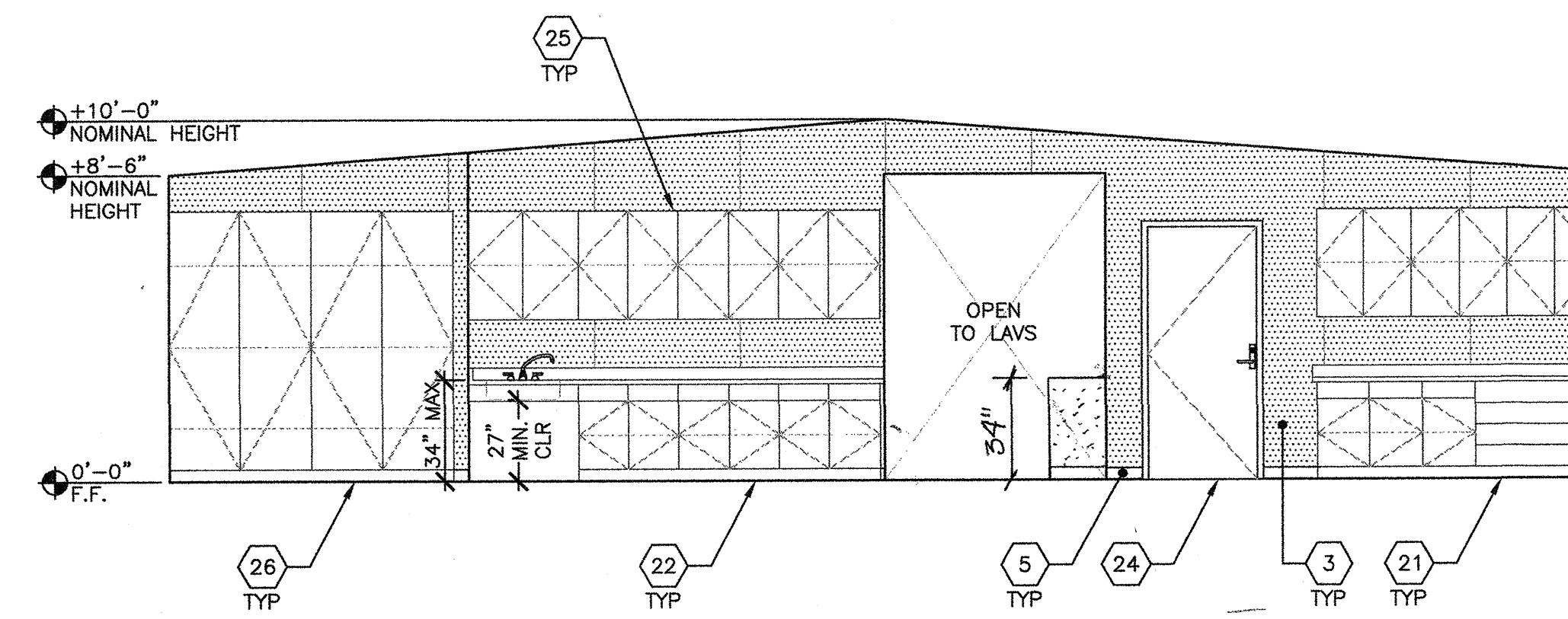


TYPICAL KINDER CLASSROOM SIDE WALL ELEVATION

4



TYPICAL KINDER CLASSROOM SIDE WALL ELEVATION

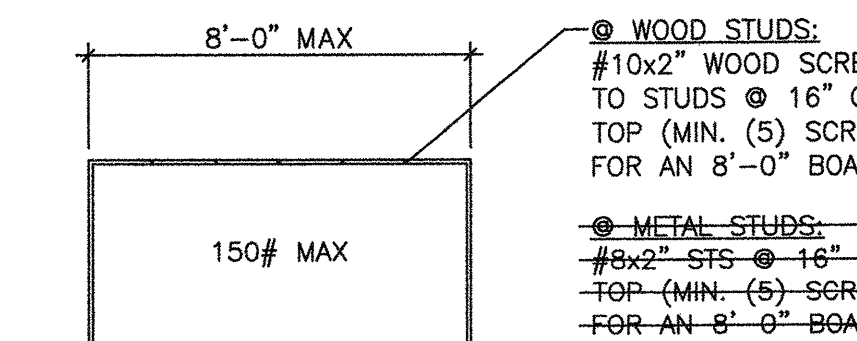


TYPICAL KINDER CLASSROOM SIDE WALL ELEVATION

8

- 1 WINDOW, SEE SPEC'S
- 2 TYP. EXTERIOR DOOR
- 3 VINYL WRAPPED TACKABLE WALLS
- 4 TYP. MOD LINE
- 5 TOP SET BASE (BY OTHERS)
- 6 BATTEN CLOSE-UP AT MOD-LINES, TYP.
- 7 NOT USED
- 8 ELECTRICAL PANEL - SEE ELECTRICAL SHEETS
- 9 NOT USED
- 10 (2) 8'x4' MARKER BOARDS - (N.I.C.) SEE DETAIL 8/A4.0
- 11 NOT USED
- 12 NOT USED
- 13 OCCUPANT LOAD SIGN PER DETAIL 11/N4.0 (BY OTHERS)
- 14 LIGHT SWITCH, TOP @ 46" A.F.F. - SEE ELECTRICAL SHEETS
- 15 EXIT TACTILE SIGN PER DETAIL 10/N4.0 (NIC)
- 16 THERMOSTAT, TOP @ 46" A.F.F. - (N.I.C.) SEE MECHANICAL SHEETS
- 17 FIRE EXTINGUISHER TOP OF HANDLE @ +48" MAX. A.F.F. PROTRUSION MAX 4" FROM WALL IF BOTTOM OF FIRE EXTINGUISHER LESS THAN +27" A.F.F.
- 18 TYP DUPLEX OUTLET - SEE ELECTRICAL SHEETS
- 19 HVAC GRILL
- 20 NOT USED
- 21 CASEWORK- BLOCKING PER A7.1
- 22 CASEWORK W/SINK- BLOCKING PER 8/A7.1 & P1.0 FOR PLUMBING FIXTURE SCHEDULE
- 23 FUTURE SMARTBOARD (BY OTHERS); AMS TO PROVIDE BLOCKING PER A7.1
- 24 TYP. INTERIOR DOOR
- 25 UPPER CABINETS- BLOCKING PER 8/A7.1
- 26 TALL CABINETS- BLOCKING PER 8/A7.1
- 27 LAVATORY
- 28 F.R.P. (FIBER REINFORCED PLASTIC)

KEY NOTES



- NOTE:**
1. ATTACHMENT IS FOR EACH MARKERBOARD.
 2. EACH WHITEBOARD SHALL PROTRUDE 4" MAX HORIZONTALLY INTO THE CIRCULATION PATH, PER CBC SECTION 11B-307.2.
 3. EACH WHITEBOARD SHALL HAVE FASTENERS PROVIDED BY MANUFACTURER.

MARKERBOARD ATT. DETAIL

SCALE: 1/4"=1'-0"

8