

**INTELLECTUAL PROPERTY & PROPRIETARY RIGHTS STATEMENT**  
COPYRIGHT © AMERICAN MODULAR SYSTEMS (AMS). AMS OWNS ALL COPYRIGHT AND OTHER INTELLECTUAL PROPERTY AND PROPRIETARY RIGHTS IN THESE DRAWINGS, SPECIFICATIONS, AND THE MATERIAL CONTAINED HEREIN. CERTAIN ELEMENTS SHOWN IN THESE DOCUMENTS ARE REGISTERED TRADEMARKS OF AMS. ALL PATENTABLE MATERIALS CONTAINED IN THESE DOCUMENTS AND ORIGINATING WITH AMS WILL REMAIN THE SOLE PROPERTY OF AMS. THESE DRAWINGS, SPECIFICATIONS, AND THE MATERIAL CONTAINED HEREIN MAY NOT BE REPRODUCED, TRANSMITTED, COPIED, DISTRIBUTED, MODIFIED, OR OTHERWISE DISPOSED OF (DIRECTLY OR INDIRECTLY) AND MAY NOT BE USED IN WHOLE OR IN PART TO ASSIST IN THE CONSTRUCTION, DESIGN, OR OTHER MARKING OF OR FOR THE PURPOSE OF FURNISHING ANY INFORMATION FOR THE CONSTRUCTION DESIGN, OR OTHER MARKING OF ANY BUILDING (MODULAR OR OTHERWISE), DRAWING, SPECIFICATION, PRINT, APPROPRIATE, OR PART THEREOF, WITHOUT THE EXPRESS WRITTEN PERMISSION OF AMS. NO PART OF THESE DRAWINGS, SPECIFICATIONS, OR MATERIALS SHALL BE REPRODUCED OR TRANSMITTED IN ANY FORM OR BY ANY MEANS, ELECTRONIC OR MECHANICAL, INCLUDING PHOTOCOPYING, RECORDING, OR BY ANY INFORMATION STORAGE AND RETRIEVAL SYSTEM, WITHOUT THE EXPRESS WRITTEN PERMISSION OF AMS. SUBMITTAL OR DISTRIBUTION TO MEET OFFICIAL REGULATORY REQUIREMENTS WILL NOT BE CONSIDERED AS IMPLICATION OR ENDORSEMENT OF AMS'S COPYRIGHT OR OTHER INTELLECTUAL PROPERTY OR PROPRIETARY RIGHTS.

PRE-CHECKED SET NAME

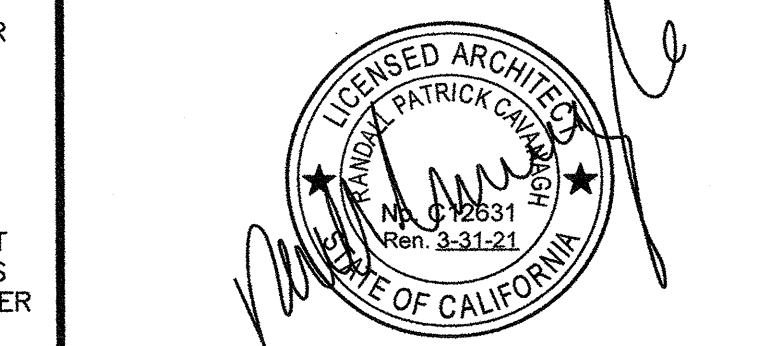
**24'x40' THRU 120'x40' HIGH PITCH MODULAR BUILDINGS**

SITE SPECIFIC PROJECT NAME

SHEET TITLE

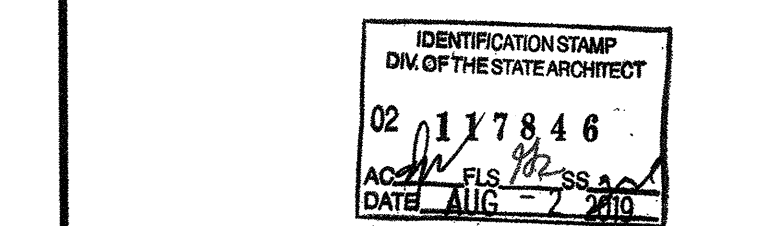
**TYPICAL FLOOR PLAN**

MANUFACTURER PROFESSIONAL OF RECORD ON PC



THESE DRAWINGS ARE PRELIMINARY AND NOT FOR CONSTRUCTION UNLESS STAMPED & SIGNED BY THE ENGINEER OF RECORD.

PROJECT SPECIFIC STATE AGENCY APPROVAL



ORIGINAL PC STATE AGENCY APPROVAL

**BASED ON PC# 02-115726**

**PRE-CHECK (PC) DOCUMENT**  
CODE: 2016 CBC  
A SEPARATE PROJECT APPLICATION FOR CONSTRUCTION IS REQUIRED.

REVISIONS

DRAWN BY: AH

SCALE: AS NOTED

DATE: 06/20/19

SHEET NUMBER

11

11

11

11

11

11

11

11

11

11

11

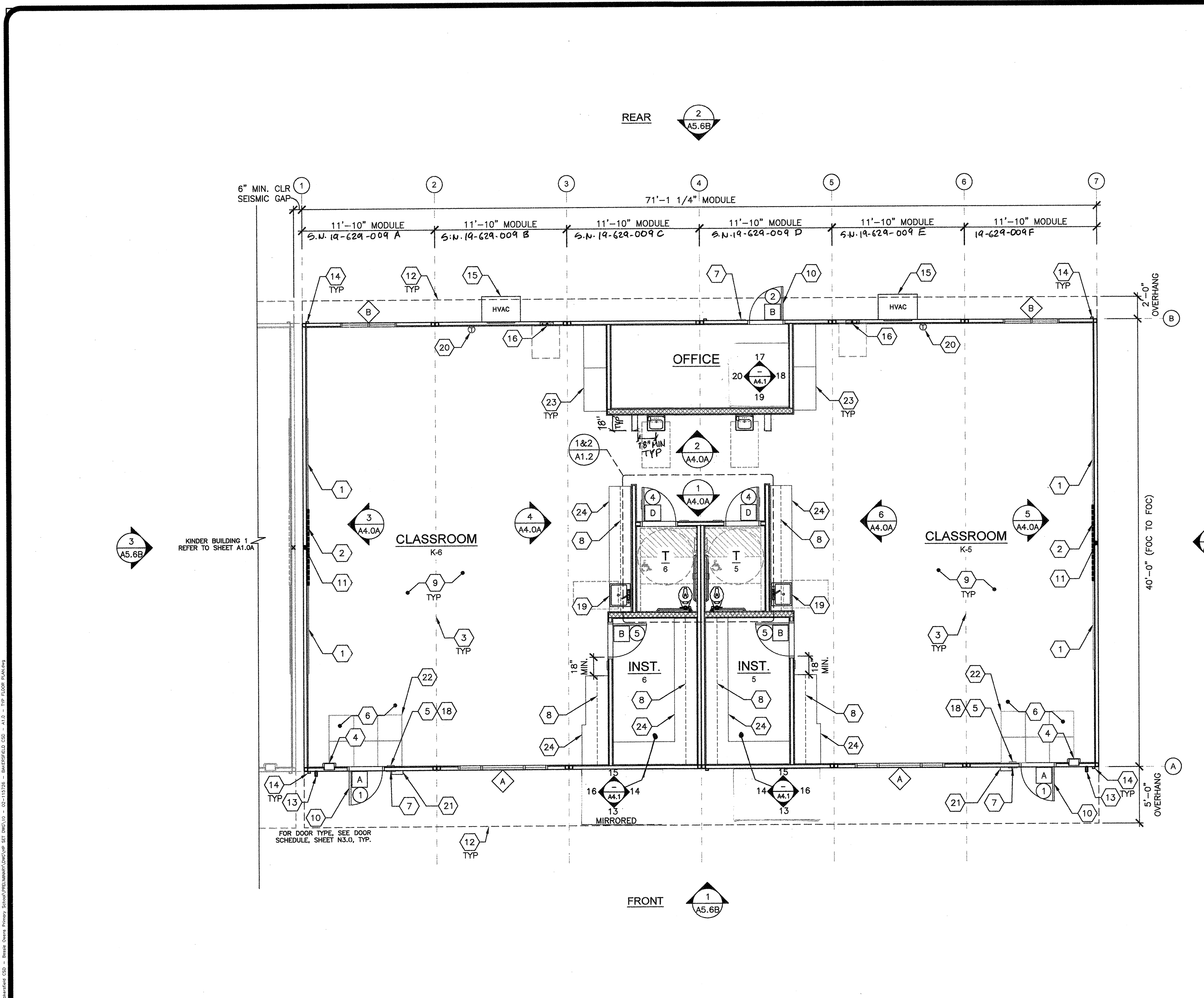
11

11

11

11

11



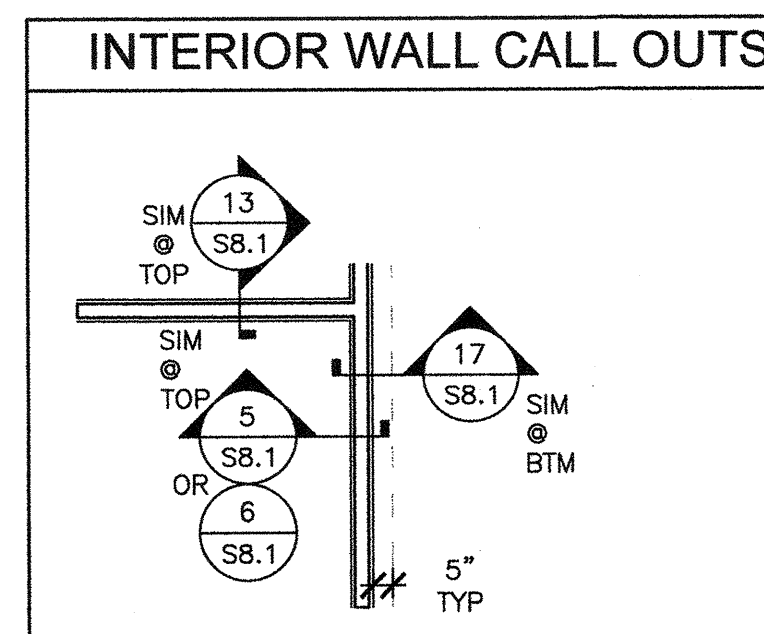
- 8"x4" MARKER BOARD - (N.I.C.) SEE SHEET A4.0
- SMART BOARD (N.I.C.) - PROVIDE BLOCKING ONLY PER DETAIL 9/A4.0A TYP. MOD LINE
- SEMI-RECESSED FIRE EXTINGUISHER - TOP OF HANDLE @ +48" A.F.F. 4" MAX PROTRUSION FROM WALL IF BOTTOM OF FIRE EXTINGUISHER IS ABOVE 27" A.F.F.
- TACTILE EXIT SIGN PER DETAIL 10/N4.0 (BY OTHERS)
- EGRESS AREA
- ROOM SIGNAGE AND I.S.A. PER DETAILS 5&9/N4.0 (BY OTHERS)
- UPPER CABINETS - REFER TO 8/A7.1 FOR BLOCKING
- FLOORING (N.I.C.)
- EGRESS DOOR
- PROVIDE 4X4 BACKING POST AT CENTER OF ROOM FOR SMARTBOARD
- OVERHANG SEE STRUCTURAL
- PROVIDE AND INSTALL TRIMCO #1254 WALL MOUNTED STOP/ DOOR HOLDER AT +78"
- DOWNSPOUT - DISCHARGE TO SPLASH BLOCK (U.O.N.)
- HVAC - SEE MECHANICAL
- ELECTRICAL PANEL
- NOT USED
- FLOOR LIVE LOAD & SNOW LOAD SIGN PER 2016 CBC SECTION 106.1 (FLOOR LIVE LOAD SIGN IS REQUIRED ONLY FOR COMMERCIAL OR INSTITUTIONAL BUILDINGS DESIGNED WITH LIVE LOADS EXCEEDING 50 PSF)
- CASEWORK W/SINK - REFER TO 8/A7.1 FOR BLOCKING & 17/-
- THERMOSTAT - TOP @ 46" A.F.F. - (N.I.C.) SEE ELECTRICAL SHEETS
- EXTERIOR LIGHT - SEE ELECTRICAL SHEETS
- WALK OFF MAT (N.I.C.)
- TALL CABINETS - REFER TO 8/A7.1 FOR BLOCKING
- CASEWORK - REFER TO 8/A7.1 FOR BLOCKING

**KEY NOTES**

- REFER TO SHEETS N5.0 AND N5.1 FOR POSSIBLE ADDITIONAL FLOOR PLAN CONFIGURATIONS.
- INTERIOR WALLS MAY OCCUR THROUGHOUT BUILDING. REFER TO SHEETS SB.1 OR-59+ FOR ATTACHMENTS.
- PANIC HARDWARE COMPLYING WITH C.B.C. 1010.1.10 IS REQUIRED TO BE INSTALLED WHEN THE CONFIGURATION OF ANY ROOM PROVIDES AN OCCUPANT LOAD OF 50 OR GREATER.
- IF OCCUPANCY LOAD EXCEEDS 50, PROVIDE A SECOND EXIT DOOR, PER CBC TABLE 1006.2.1.
- FOR ROOMS OR SPACES CLASSIFIED AS AN ASSEMBLY OCCUPANCY, PROVIDE AN OCCUPANT LOAD SIGN (BY OTHERS) IN A CONSPICUOUS PLACE, NEAR THE MAIN EXIT, PER C.B.C. SECTION 1004.3.
- ALL PRIMARY EXTERIOR DOOR ENTRIES SHALL BE COVERED TO PREVENT WATER INTRUSION BY USING NONABSORBENT FLOOR AND WALL FINISHES WITHIN AT LEAST 2 FEET AROUND AND PERPENDICULAR TO OPENING, PER CALGREEN, SECTION 5.407.2.2.1.
- PRIMARY EXTERIOR DOOR ENTRIES, PER CALGREEN SECTION 5.407.2.2.1, SHALL HAVE AT LEAST ONE OF THE FOLLOWING:
  - ROOF OVERHANG AT LEAST 4 FEET IN DEPTH OR
  - OTHER METHODS INDEPENDENT OF THE BUILDING WHICH PROVIDE EQUIVALENT PROTECTION (PROVIDED BY OTHERS).

**SITE NOTE**

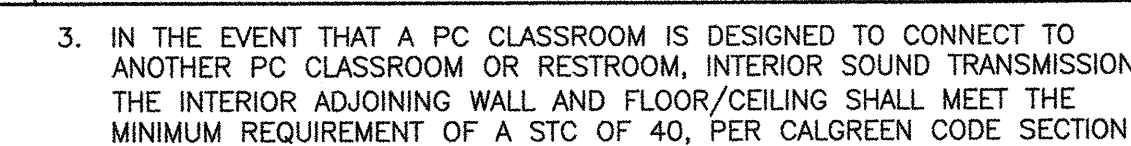
3/16:12 (1%) MINIMUM TO 1/4:12 (2%) MAXIMUM GRADE FROM FACE OF BUILDING MUST BE ADHERED TO FOR WATER RUN-OFF. PONDING MAY OCCUR AROUND THE PERIMETER OF THE BUILDING.



**SHEET NOTES**

- (X) = MECHANICAL OR PLUMBING FIXTURE - SEE MECHANICAL OR PLUMBING DRAWINGS
- (X) = KEY NOTE - SEE KEY NOTES ABOVE
- (X) = DOOR TYPE - SEE SCHEDULE, SHEET N3.0
- (X) = WINDOW TYPE - SEE SCHEDULE, SHEET N3.0
- (X) = DOOR HARDWARE - SEE HARDWARE SCHEDULE, SHEET N3.0

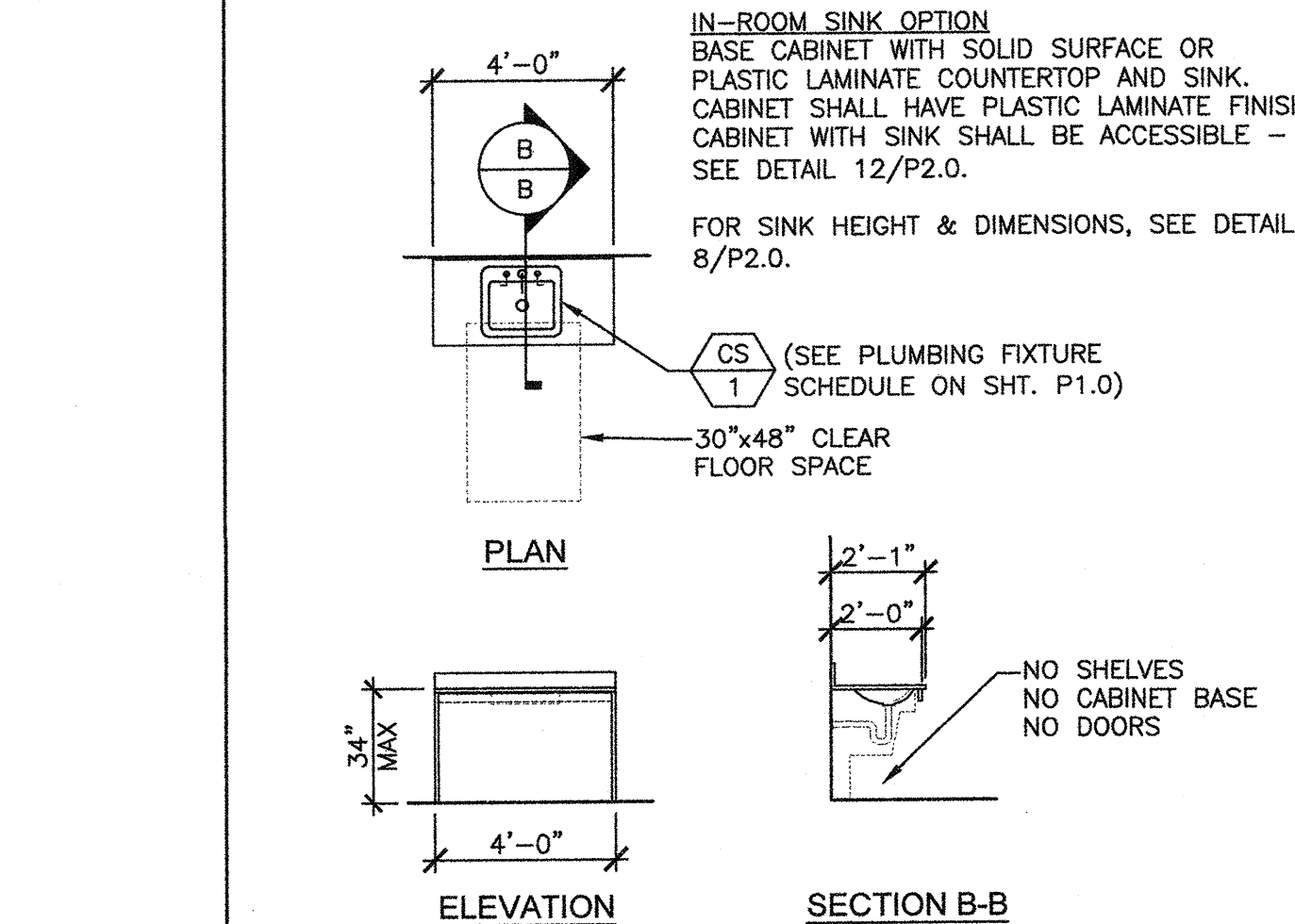
**SYMBOLS LEGEND**



**KINDER BUILDING 2 FLOOR PLAN**

BUILDING SIZE (FT)	TOTAL # OF 12'-0" WIDE MODULES	TOTAL # OF CENTER MODULES	TOTAL FNDN WIDTH
24'x40'	2	0	23'-0 1/2"
36'x40'	3	1	35'-6 3/4"
48'x40'	4	2	47'-5"
60'x40'	5	3	59'-3 1/4"
72'x40'	6	4	71'-1 1/2"
84'x40'	7	5	82'-11 3/4"
96'x40'	8	6	94'-10"
108'x40'	9	7	106'-8 1/4"
120'x40'	10	8	118'-6 1/2"

NOTES:  
1. TOTAL BUILDING WIDTH INCLUDES 1/4" PER MODULAR CONSTRUCTION TOLERANCE PER FOUNDATION SHEETS S1.0, S1.1, S1.2, & S1.3.



**ENERGY CONTROLS**

- DEMAND RESPONSE CONTROLS:** ONLY REQUIRED IN BUILDINGS LARGER THAN 10,000 S.F., THEREFORE, NOT REQUIRED FOR THIS PC.
- AUTOMATIC DAYLIGHTING CONTROLS:** NOT REQUIRED IN ROOMS WHERE COMBINED INSTALLED LIGHTING POWER IN COMBINED SKYLIT & PRIMARY DAYLIT ZONES ARE <120 WATTS. INSTALLED WATTAGE IN PRIMARY SKYLIT DAY LIT ZONE IS 80 WATTS (2x 40w, AS SHOWN ON SHEET E1.0). THEREFORE, AUTOMATIC DAYLIGHTING CONTROLS ARE ONLY REQUIRED WHEN "SOLATUBES" ARE INSTALLED. SEE A1.1
- ENERGY MANAGEMENT CONTROL SYSTEM (EMCS) CONNECTION:** PER TITLE 24 CODE, AN EMCS MAY BE INSTALLED TO COMPLY WITH THE REQUIREMENTS OF ONE OR MORE LIGHTING CONTROLS IF IT MEETS THE MINIMUM REQUIREMENTS. PC MAY CONTAIN OCCUPANCY SENSORS AND PHOTOCELL CONTROL LIGHTING, IN THAT CASE, AN EMCS IS NOT REQUIRED FOR THIS PC.
- SOLAR-READY ZONE REQUIREMENTS:** REQUIREMENTS & TABLE CAN BE FOUND ON SHEET A2.0

NOTE: ANT MONITORING EQUIPMENT OR ASSOCIATED SENSORS ARE SITE SPECIFIC AND ARE NOT INCLUDED IN THE BASE PC.

**ACOUSTIC CONTROLS**

- WHEN THE PRE-CHECK (PC) BUILDING IS SITE ADAPTED, THE BUILDING AND SITE FEATURES SHALL COMPLY WITH THE CALGREEN CODE, SECTION 5.507.4, FOR THE SPECIFIC SITE LOCATION.
- MINIMUM WALL ASSEMBLIES:** WALL ASSEMBLIES SHALL BE CONSTRUCTED PER DETAIL SHEETS A5.1, A5.3, A5.5, A5.7, & A8.0, WITH EITHER 2x4 WOOD STUDS OR 6" STEEL STUDS PER LISTED OPTIONS.  
MINIMUM STC RATINGS LISTED BELOW ARE PER THE CATALOG OF STC & IIC RATINGS FOR WALL AND FLOOR/CEILING ASSEMBLIES, PRODUCED BY THE OFFICE OF NOISE CONTROL, CA DEPARTMENT OF HEALTH SERVICES.

(1) LAYER 1/2" GYPSUM BOARD SECURED TO MIN. 2x4 STUDS @ 16" O.C. MAX.  
STC=28 (CATALOG SECTION 1.2.1.5.4.1) TEST REF: NATIONAL RESEARCH COUNCIL OF CANADA - NRC #66

(1) LAYER 5/8" GYPSUM BOARD SECURED TO MIN. 2x4 METAL STUDS @ 24" O.C. MAX.  
STC=28 (CATALOG SECTION 1.3.2.5.4.1) TEST REF: NATIONAL RESEARCH COUNCIL OF CANADA - NRC #66

3. IN THE EVENT THAT A PC CLASSROOM IS DESIGNED TO CONNECT TO ANOTHER PC CLASSROOM OR RESTROOM, INTERIOR SOUND TRANSMISSION IN THE INTERIOR ADJOINING WALL AND FLOOR/CEILING SHALL MEET THE MINIMUM REQUIREMENT OF A STC OF 40, PER CALGREEN CODE SECTION 507.4.3. (EXAMPLES OF QUALIFYING ASSEMBLIES SHOWN BELOW).

(2) LAYER 5/8" GYPSUM BOARD SECURED TO MIN. 2x4 METAL STUDS @ 24" O.C. MAX. W/ 3/2" THK. 1" INSULATION  
STC=40 (CATALOG SECTION 1.2.1.5.4.1) TEST REF: AUDIO ALLOY L.L.C. NUMBER: OL-09-1003

(2) LAYER 5/8" GYPSUM BOARD SECURED TO MIN. 2x4 METAL STUDS @ 24" O.C. MAX. W/ 3/2" THK. 1" INSULATION  
STC=40 (CATALOG SECTION 1.3.2.5.4.1) TEST REF: AUDIO ALLOY L.L.C. NUMBER: OL-09-1003

4. MINIMUM WINDOW & DOOR RATINGS: ALL WINDOWS AND DOORS SPECIFIED ON THE SCHEDULES FOUND ON SHEET N3.0 OF THIS PACKAGE SHALL MEET A MINIMUM STC RATING OF 27.

**TYPICAL RAMP PLAN - OPTIONAL**

**CLASSROOM SINK - OPTIONAL**

**ENERGY NOTES**

**ACOUSTIC NOTES**

**A1.0B02**