

INTELLECTUAL PROPERTY & PROPRIETARY RIGHTS STATEMENT
COPYRIGHT © AMERICAN MODULAR SYSTEMS (AMS)
AMS OWNS ALL COPYRIGHT AND OTHER INTELLECTUAL PROPERTY AND PROPRIETARY RIGHTS IN THESE DRAWINGS, SPECIFICATIONS, AND THE MATERIAL CONTAINED HEREIN. CERTAIN ELEMENTS IN THESE DOCUMENTS ARE REGISTERED TRADEMARKS OF AMS. ALL PATENTABLE MATERIALS CONTAINED IN THESE DOCUMENTS AND INVENTIONS MADE BY AMS WILL REMAIN THE SOLE PROPERTY OF AMS. THESE DRAWINGS, SPECIFICATIONS, AND THE MATERIAL CONTAINED HEREIN MAY NOT BE REPRODUCED, TRANSMITTED, COPIED, DISTRIBUTED, MODIFIED, OR OTHERWISE DISPOSED OF (DIRECTLY OR INDIRECTLY) AND MAY NOT BE USED (IN WHOLE OR IN PART) TO ASSIST IN THE CONSTRUCTION, DESIGN, OR OTHER MAKING OF, OR FOR THE PURPOSE OF FURNISHING ANY INFORMATION FOR THE CONSTRUCTION, DESIGN, OR OTHER MAKING OF, ANY BUILDING (MODULAR OR OTHERWISE), DRAWINGS, SPECIFICATIONS, PRINTS, APPARATUS, OR PARTS THEREOF, EXCEPT AS EXPRESSLY PERMITTED BY WRITTEN CONSENT OF, OR IN A WRITTEN AGREEMENT WITH, AMS. PERMITAL OR DISTRIBUTION TO MEET OTHER REGULATORY REQUIREMENTS WILL NOT BE CONSIDERED AS PRESUMPTION OF CONSENT OF AMS. COPYRIGHT © OTHER INTELLECTUAL PROPERTY OR PROPRIETARY RIGHTS ARE THE PROPERTY OF THEIR RESPECTIVE OWNERS.

PRE-CHECKED SET NAME
24'x40' THRU 120'x40' HIGH PITCH MODULAR BUILDINGS

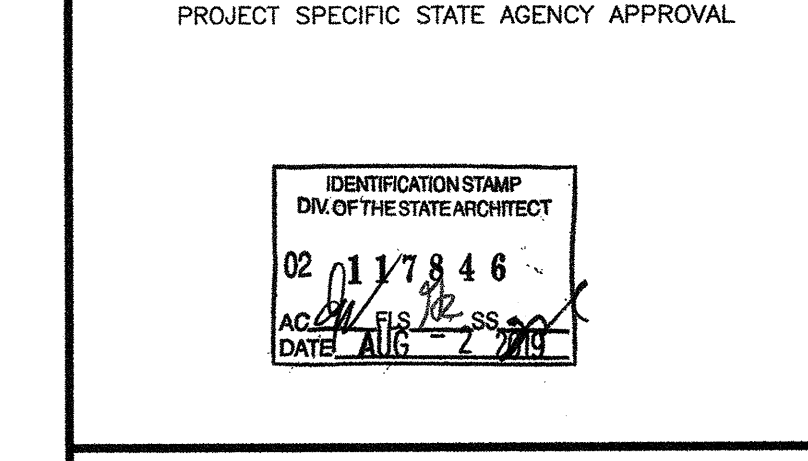
SITE SPECIFIC PROJECT NAME

SHEET TITLE
TYPICAL SCHEDULES DOORS, WINDOWS & FINISHES

MANUFACTURER PROFESSIONAL OF RECORD ON PC



THESE DRAWINGS ARE PRELIMINARY AND NOT FOR CONSTRUCTION UNLESS STAMPED & SIGNED BY THE ENGINEER OF RECORD.
PROJECT SPECIFIC STATE AGENCY APPROVAL



ORIGINAL PC STATE AGENCY APPROVAL

BASED ON PC# 02-115726
PRE-CHECK (PC) DOCUMENT
CODE: 2018 CBC
A SEPARATE PROJECT APPLICATION FOR CONSTRUCTION IS REQUIRED.

REVISIONS
DRAWN BY: AH
SCALE: AS NOTED
DATE: 06/20/19
SHEET NUMBER

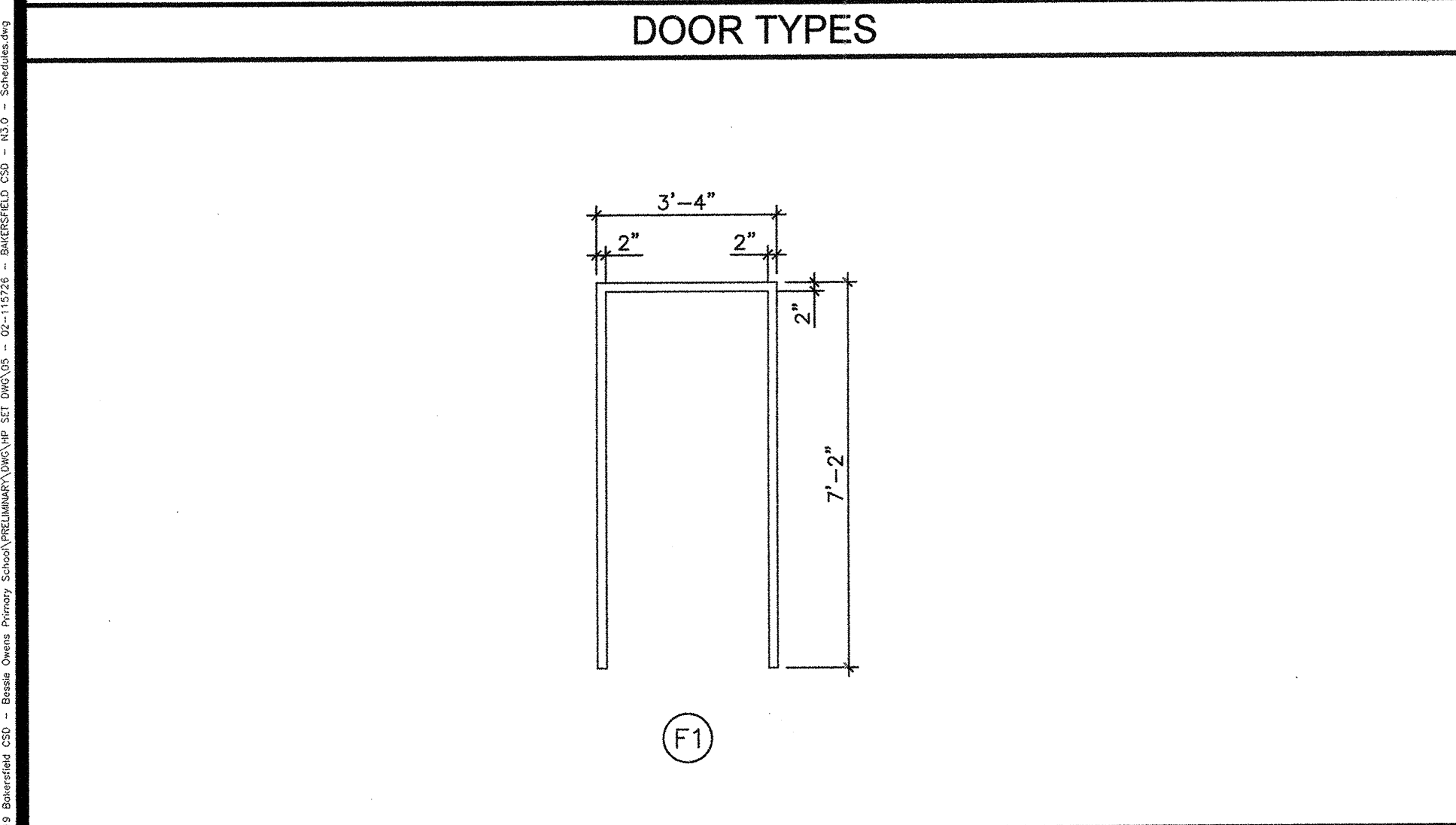
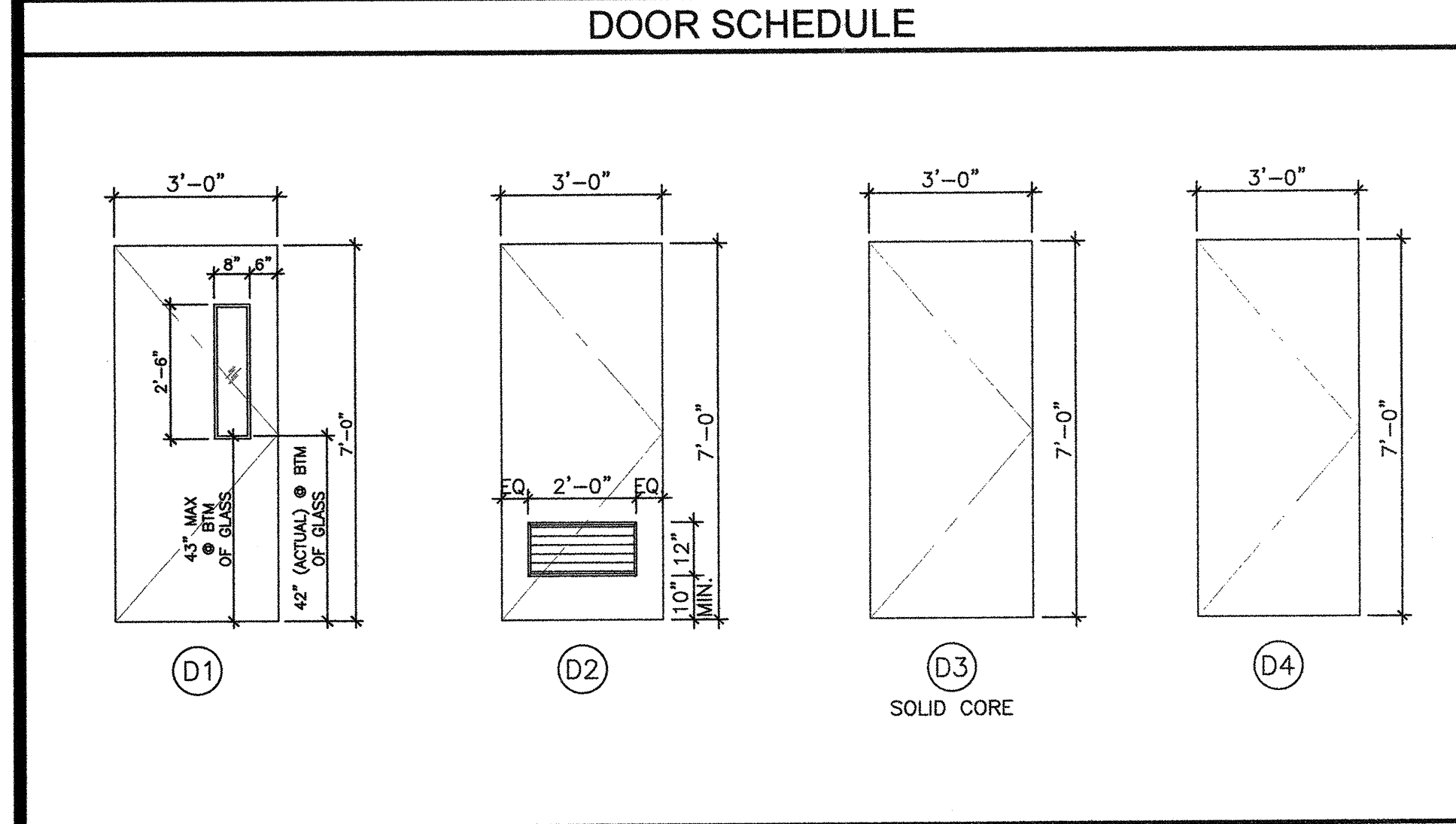
N3.0-02

DOORS				FRAMES				REMARKS	
DOOR NO.	DOOR TYPE	DOOR SIZE	QUANTITY	MATERIAL	FINISH	HARDWARE SET NO.	FRAME TYPE		
1	D1	3'-0" x 7'-0"	8	HM	PT	A	(F)	STL PT	HARDWARE LOCKABLE FROM THE INSIDE. SEE DOOR NOTE #3
2	D4	3'-0" x 7'-0"	4	HM	PT	B	(F)	STL PT	
3	D2	3'-0" x 7'-0"	2	HM	PT	C	(F)	STL PT	
4	D3	3'-0" x 7'-0"	8	SC	CLR	D	(F)	S PT	
5	D3	3'-0" x 7'-0"	8	SC	CLR	B	(F)	S PT	

DOOR ABBREVIATIONS
HM - HOLLOW METAL
AL - ALUMINUM
S - STEEL
SST - STAINLESS-STEEL
STL - STEEL FRAME, 16ga. FULLY WELDED
WWF - WINDOW-WALL-FRAME

DOOR NOTES
SC - SOLID CORE WOOD
HG - HOLLOW CORE WOOD
PT - PAINTED
CA - CLEAR ANODIZED
BR - BRONZE ANODIZED
CLR - CLEAR FINISH

1. DOORS SHALL COMPLY WITH C.B.C. SECTION 1010.
2. CLASSROOMS ≥ 1000 S.F WILL REQUIRE PANIC HARDWARE THAT COMPLIES WITH C.B.C. SECTION 1010.1.10.
3. PER C.B.C. 1010.1.11: PROVIDE LOCKS THAT ALLOW DOORS TO CLASSROOMS AND ANY ROOM WITH AN OCCUPANCY OF FIVE OR MORE PERSONS TO BE LOCKED FROM THE INSIDE. LOCKS SHALL COMPLY WITH C.B.C. SECTION 1010.1.9.



DOOR FRAME TYPES

A	EXTERIOR DOOR PANIC BAR YALE 7150-620F AU626 WITH TRIM 08
B	EXTERIOR DOOR LOCKSET YALE AU5407LN-626 WITH LF IC CORE
C	EXTERIOR DOOR LOCKSET YALE AU5422LN-626 WITH LF IC CORE
D	INTERIOR RESTROOM LOCKSET YALE AU5401LN-626 WITH LF IC CORE
E	INTERIOR ENTRY/OFFICE COPPER-CREEK-6241-ENTRY/OFFICE w/ADA LEVER
F	INTERIOR STOREROOM COPPER-CREEK-6250-STOREROOM w/ADA LEVER
G	INTERIOR CLASSROOM COPPER-CREEK-6260-CLASSROOM w/ADA LEVER

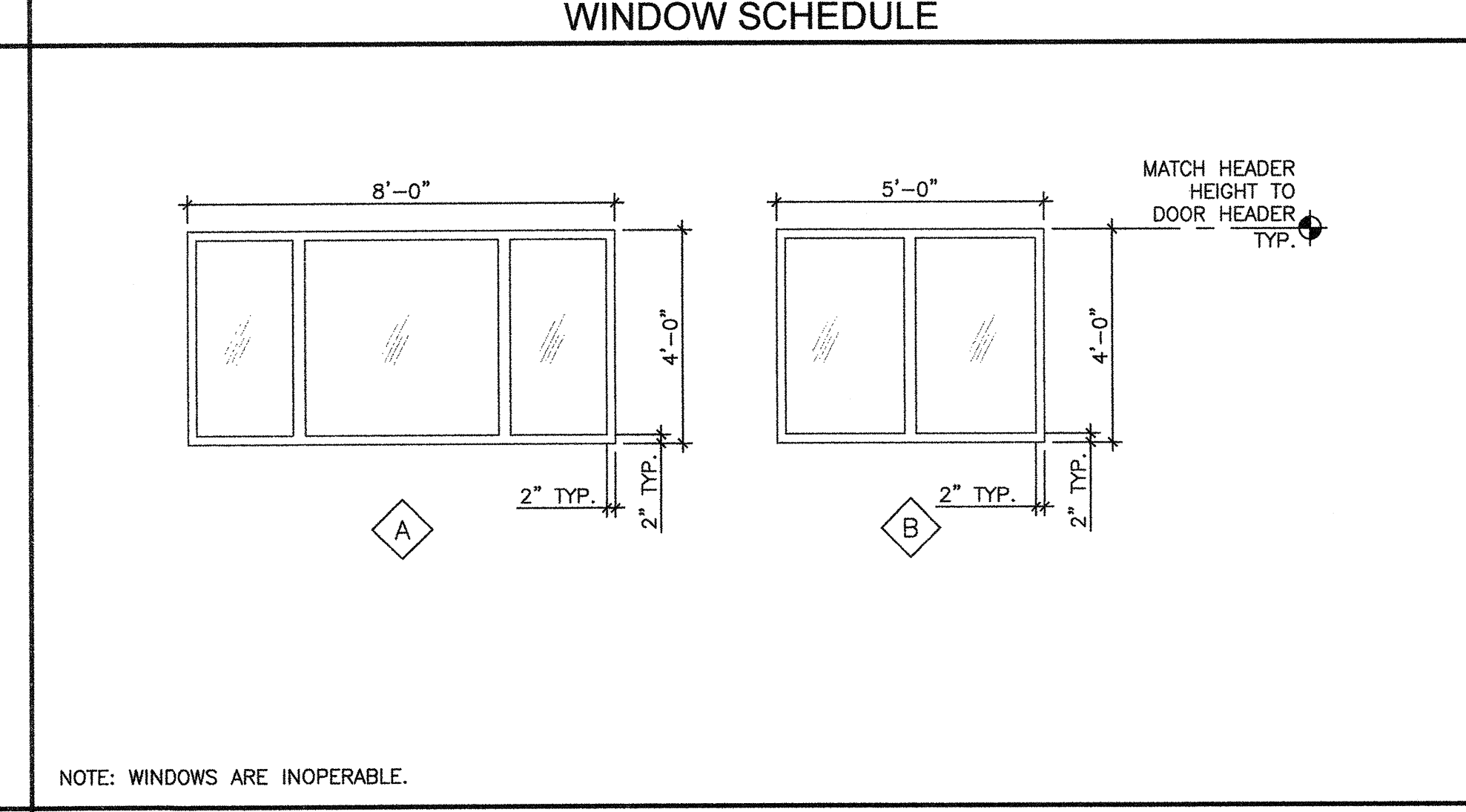
EXTERIOR DOOR HARDWARE
1. HINGES: HAGER 4-1/2x4-1/2 BUTTS, BB1168 NRP US260, 1-1/2 PAIR PER DOOR, WITH SET SCREW IN BARREL AND BALL BEARING DESIGN.
2. CLOSER: NORTON 7500 689 CAPABLE OF 190° OPENING OR EQUAL. (5 LBS. MAX. PRESSURE)
3. WEATHERSTRIPPING: ALL EXTERIOR DOORS SHALL BE WEATHERSTRIPPED WITH PEMKO 299D, ULTRA W5007 OR EQUAL, AT DOOR JAMBS AND HEAD.
4. THRESHOLD: THRESHOLD SHALL BE PEMKO 271 AV ALUMINUM WITH PEMKO 368CN DOOR BOTTOM.
5. LOCKDOWN: INTERIOR TEACHERS' MANUAL LOCK FOR CAMPUS LOCK DOWN CRITERIA - REQUIRED FOR STATE-FUNDED SCHOOLS, PER EDUCATION CODE SECTION 17075.50 (AND ALSO CBC 1010.1.11): PROVIDE LOCKS THAT ALLOW DOORS TO CLASSROOMS AND ANY ROOM WITH AN OCCUPANCY OF FIVE OR MORE PERSONS TO BE LOCKED FROM THE INSIDE. LOCKS SHALL COMPLY WITH C.B.C. SECTION 1010.1.9.
6. DOOR STOP: TRIMCO 1254 MOUNTED AT +78"

*ADDITIONAL DOORS MAY BE REQUIRED BASED ON BUILDING LAYOUT.

DOOR HARDWARE SCHEDULE

WINDOW TYPE	QTY.	FUNCTION	'W' WIDTH	'H' HEIGHT	FINISH	GLASS TYPE	U FACTOR	SHGC	VT MIN	MIN STC RATING	REMARKS
A	8	FIXED	8'-0"	4'-0"	BRONZE ANODIZED	SOLAR GREY	0.780	0.430	0.37	27	INOPERABLE
B	8	FIXED	5'-0"	4'-0"	BRONZE ANODIZED	SOLAR GREY	0.780	0.430	0.37	27	INOPERABLE

WINDOW NOTES
1. EXTERIOR LITE - 3/16" MINIMUM TEMPERED GLASS, OR LAMINATED AS 1 GLASS OF SOLAR GRAY GLARE REDUCING TYPE WITH A LIGHT TRANSMISSION FACTOR OF 45% MAXIMUM.
2. WINDOWS THAT MEETS ALL OF THE FOLLOWING CONDITIONS SPECIFIED IN SECTION 2406.4.3, SHALL BE CONSIDERED A HAZARDOUS LOCATION:
A. THE EXPOSED AREA OF AN INDIVIDUAL PANE IS GREATER THAN 9 SQUARE FEET.
B. THE BOTTOM EDGE OF THE GLAZING IS LESS THAN 18" ABOVE FINISH FLOOR.
C. THE TOP EDGE OF THE GLAZING IS GREATER THAN 36" ABOVE FINISH FLOOR.
D. ONE OR MORE WALKING SURFACE(S) ARE WITHIN 36", MEASURED HORIZONTALLY AND IN A STRAIGHT LINE, OF THE PLANE OF THE GLAZING.
3. WINDOWS THAT ARE CONSIDERED A HAZARDOUS LOCATION SHALL CONTAIN FULLY TEMPERED SAFETY GLAZING & MEET THE FOLLOWING REQUIREMENTS:
A. PASS THE IMPACT TEST REQUIREMENTS IN ACCORDANCE WITH "OPSC 16 CFR PART 1201" PER SECTION 2406.2, WITH A TEST CRITERIA OF CATEGORY II, UNLESS OTHERWISE INDICATED IN C.B.C. TABLE 2406.2(1).
B. IDENTIFICATION OF SAFETY GLAZING PER C.B.C. 2406.3



FINISH INDICATOR OPTIONS
A - CARPET; (N.I.C.) PER STATE OF CALIF SPEC COMPLYING WITH GROUP 1, TYPE A OR TYPE B, CLASS 2, DENSITY 4500.
B - VINYL SHEET FLOORING; 0.5-MIN.-C.D.F.-PER ASTM D-2047
C - VET-ARMSTRONG, STANDARD, OR EXCELON
D - TOP SET BASE; 4" (N.I.C.)
E - TOP SET BASE; 6"
F - WALL FINISH; 1/2" VINYL TACKBOARD CLASS 1 OVER 1/2" GYP BOARD BACKING
G - 1/2" W.R. GYP BOARD; TAPE, PAINTED FINISH
H - 1/2" GYP BOARD; TAPE, PAINTED FINISH
J - 3/32" F.R.P.; OVER 1/2" W.R. GYP BOARD
K - ACOUSTICAL LAY-IN GRID CEILING PANELS; 2'x2'-OR-2'x4'
L - 1/2" VINYL TACKBOARD; CLASS 1, OVER 5/8" TYPE 'X' GYP BOARD BACKING
M - 5/8" TYPE 'X' GYP BOARD; TAPE, TEXTURE, PAINTED FINISH
N - CERAMIC TILE - (FULL HEIGHT AT WALLS)
O - EXPOSED CONCRETE WITH CONCRETE SEALER (SEALER BY DISTRICT)
P - CLOUD CEILING PANELS

ROOM FINISHES SCHEDULE

ROOM NUMBER	ROOM NAME	FLOOR	BASE	FRONT	REAR	RIGHT	LEFT	CEILING	CEILING HEIGHT	REMARKS
K1-KB	CLASSROOM	A	D	F	F	F	F	K	8'-6" TO 10'-0"	FRP WALL COVERING AT LAV AREA
---	TYP OFFICE	A	D	F	F	F	F	K	8'-6"	
---	TYP TOYS	O	D	J	J	J	J	K	8'-6"	
---	TYP INST.	A	D	F	F	F	F	K	8'-6"	
---	TYP STAFF R.R.	N	N	N	N	N	N	M	8'-6"	
---	TYP SINGLE TOILET R.R.	N	N	N	N	N	N	M	8'-6"	