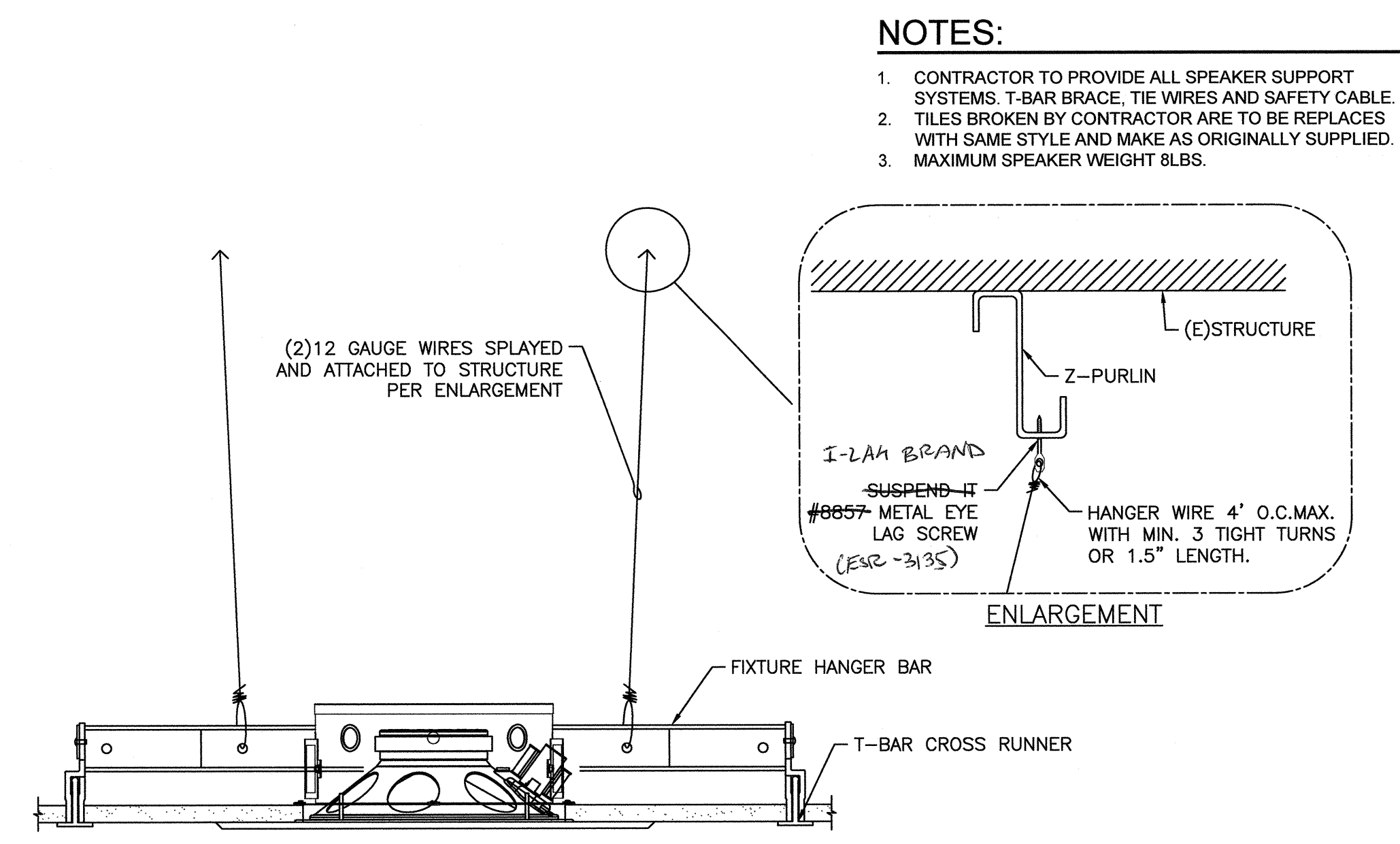
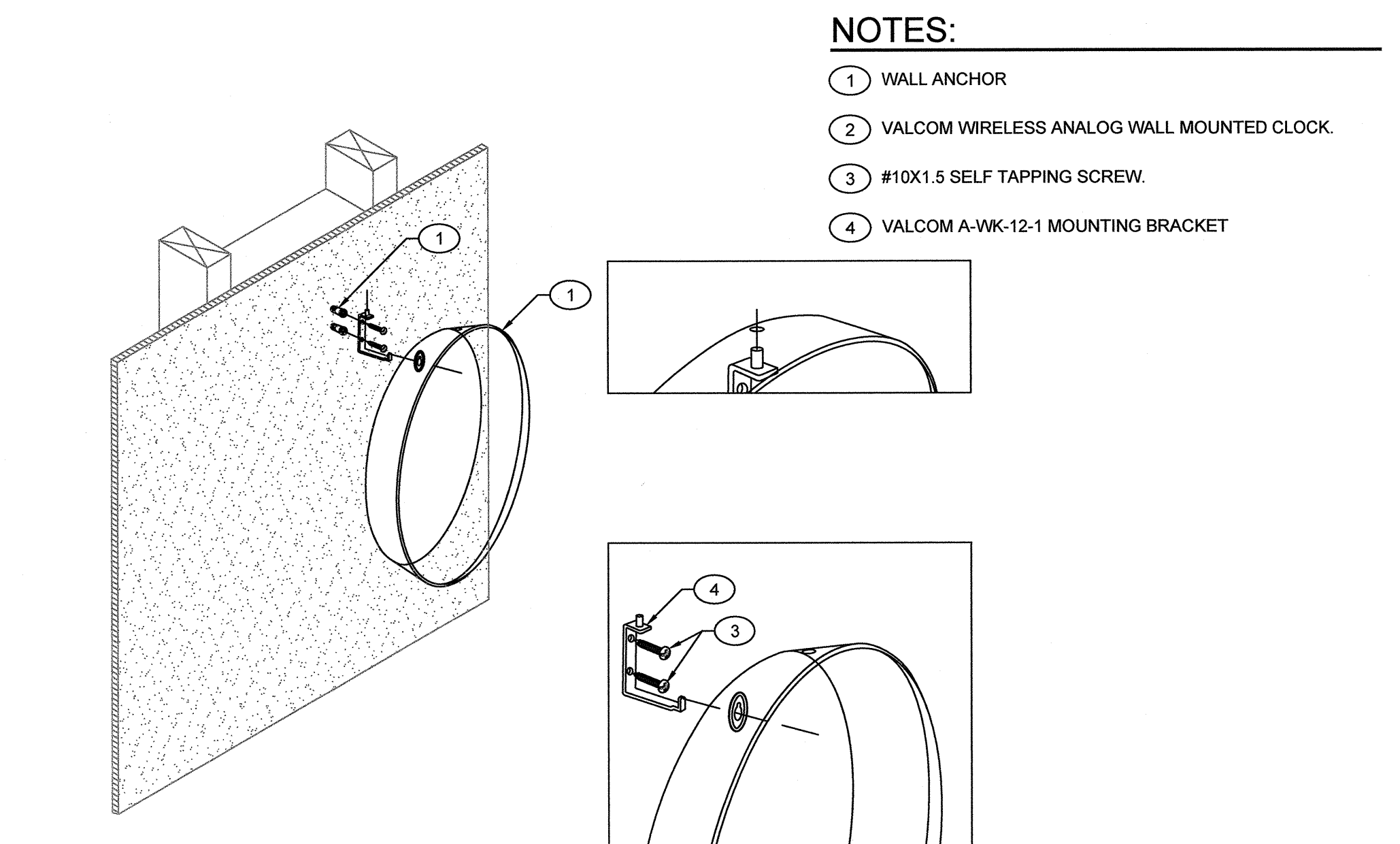


1 TELECOM. MAIN GROUNDING BUSBAR (TMGB) DETAIL
NOT TO SCALE



2 CEILING SPEAKER MOUNTING DETAIL
NOT TO SCALE



3 WALL MOUNTED WIRELESS CLOCK
NOT TO SCALE

NOTES:

1. CONTRACTOR TO PROVIDE ALL SPEAKER SUPPORT SYSTEMS, T-BAR BRACE, TIE WIRES AND SAFETY CABLE.
2. TILES BROKEN BY CONTRACTOR ARE TO BE REPLACES WITH SAME STYLE AND MAKE AS ORIGINALLY SUPPLIED.
3. MAXIMUM SPEAKER WEIGHT 0LBS.

NOTES:

1. WALL ANCHOR
2. VALCOM WIRELESS ANALOG WALL MOUNTED CLOCK.
3. #10X1.5 SELF TAPPING SCREW.
4. VALCOM A-WK-12-1 MOUNTING BRACKET

AGENCY INFORMATION:
 AGENCY TRACKING NO. 63321-356
 FILE NO. 15-6
 IDENTIFICATION STAMP
 DIV. OF THE STATE ARCHITECT
 OFFICE OF REGULATION SERVICES
 03-120240
 AC. BY: [Signature] FLS. NO. 07788
 DATE: JAN 02 2020

SEAL


COPYRIGHT:
 Any reproduction or distribution for any purpose other than authorized by IBI Group is forbidden.

COPYRIGHT 2019 IBI GROUP

REVISIONS

NO.	DATE SUBMITTED	DATE APPROVED	DESCRIPTION

CONSULTANT

Fred Brinkman

INFINITY
 COMMUNICATIONS AND CONSULTING
 P.O. BOX 6569, BAKERSFIELD, CA 93396
 Ph: 661.716-1840 Fx: 661.716-1841
 www.Infinitycomm.com

PRIME CONSULTANT

IBI ARCHITECTURE PLANNING
 San Luis Obispo
 4119 Broad Street, Suite 210
 San Luis Obispo, CA 93401
 805.546.0433 fax: 805.546.0504
 ibigroup.com

BAKERSFIELD CITY SCHOOL DISTRICT



BESSIE OWENS E.S. KINDERGARTEN MODULAR BUILDINGS
 815 POTOMAC AVE, BAKERSFIELD, CA 93307

OPSC or OSHPD PROJ. NO.	N/A
PROJECT NO.	118932
DRAWN BY:	Author
CHK'D BY:	Checker
ISSUE DATE:	08/27/2019

SHEET TITLE
INSTALLATION SHEET

SHEET NUMBER
T4.2

CONSTRUCTION DOCUMENTS

C:\Users\lben\OneDrive\Documents\BATH-18832-SITE-46-03-18-V2018_CENTRAL_duban.dwg, 2018-10-21 12:02:08 PM