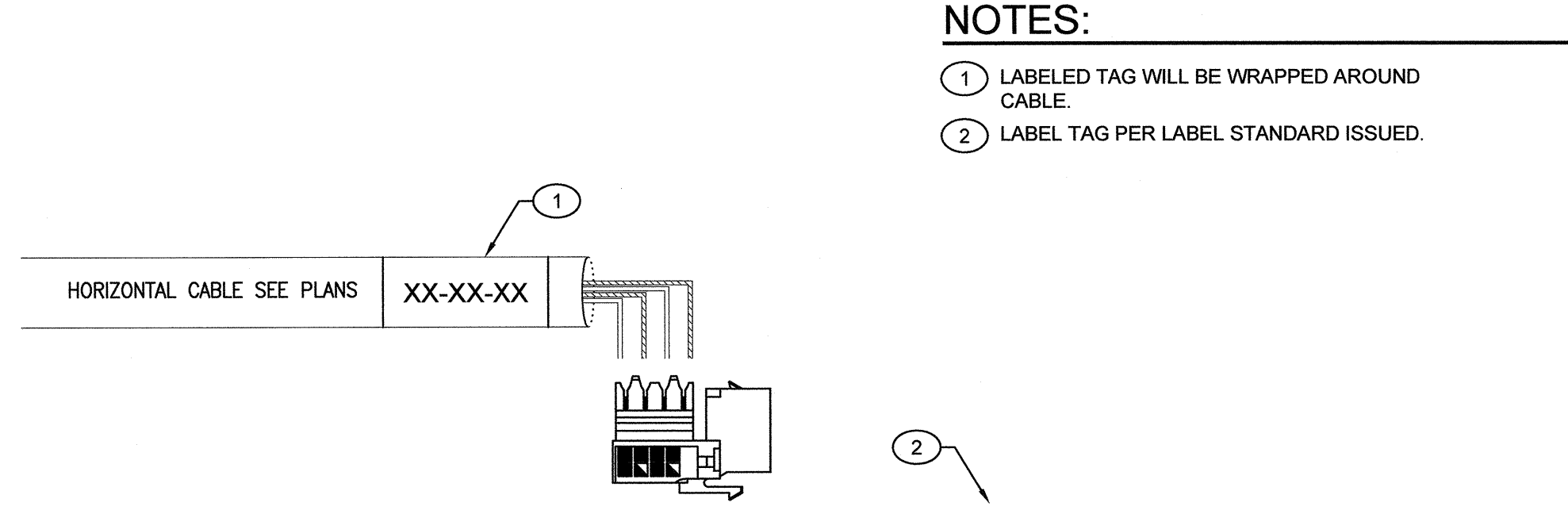
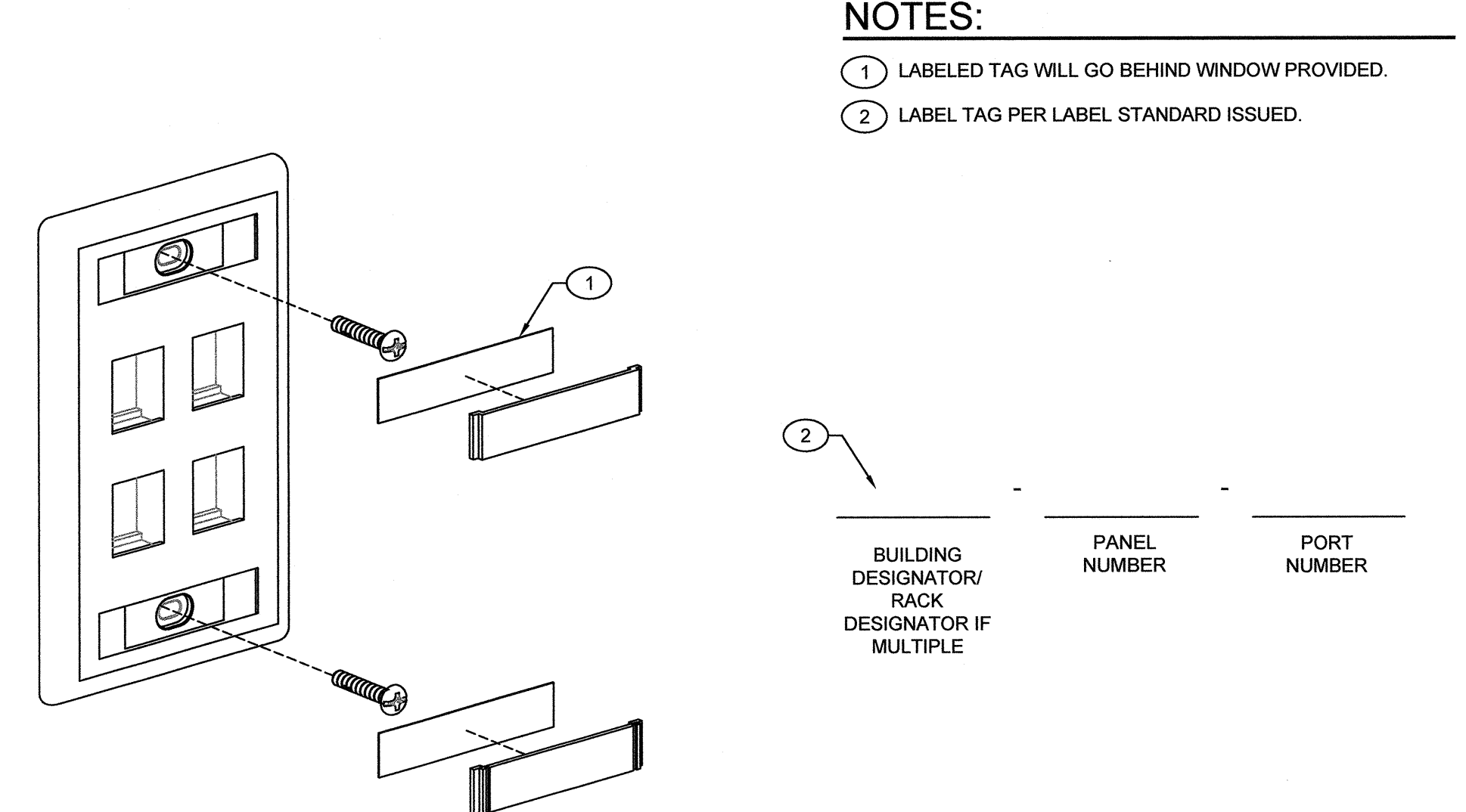


1 J-HOOK PATHWAY DETAIL  
NOT TO SCALE



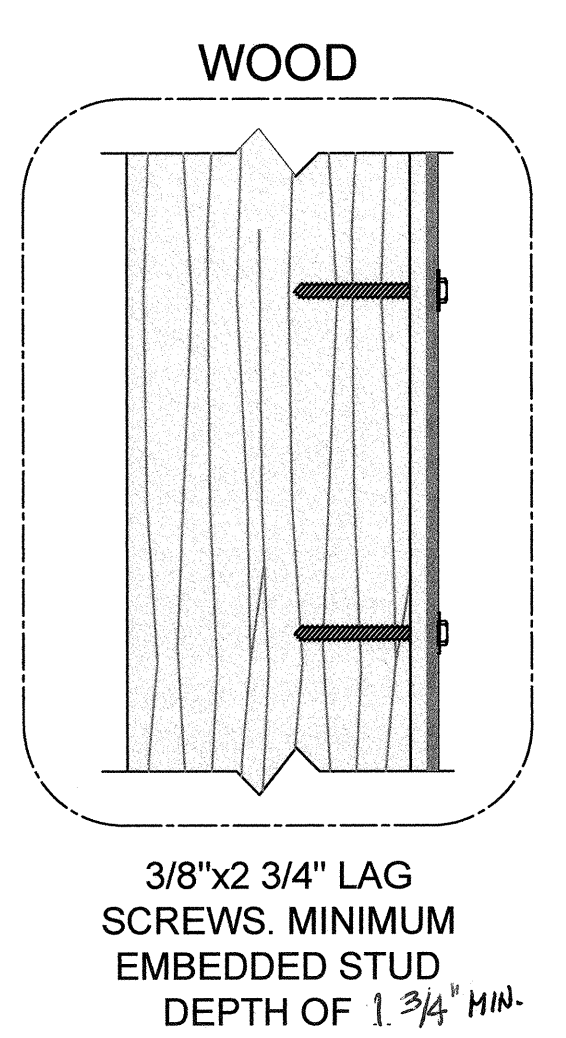
BUILDING DESIGNATOR/ RACK DESIGNATOR IF MULTIPLE	PANEL NUMBER	PORT NUMBER
---	--------------	-------------

2 CABLE LINK IDENTIFIER LABELING FORMAT  
NOT TO SCALE

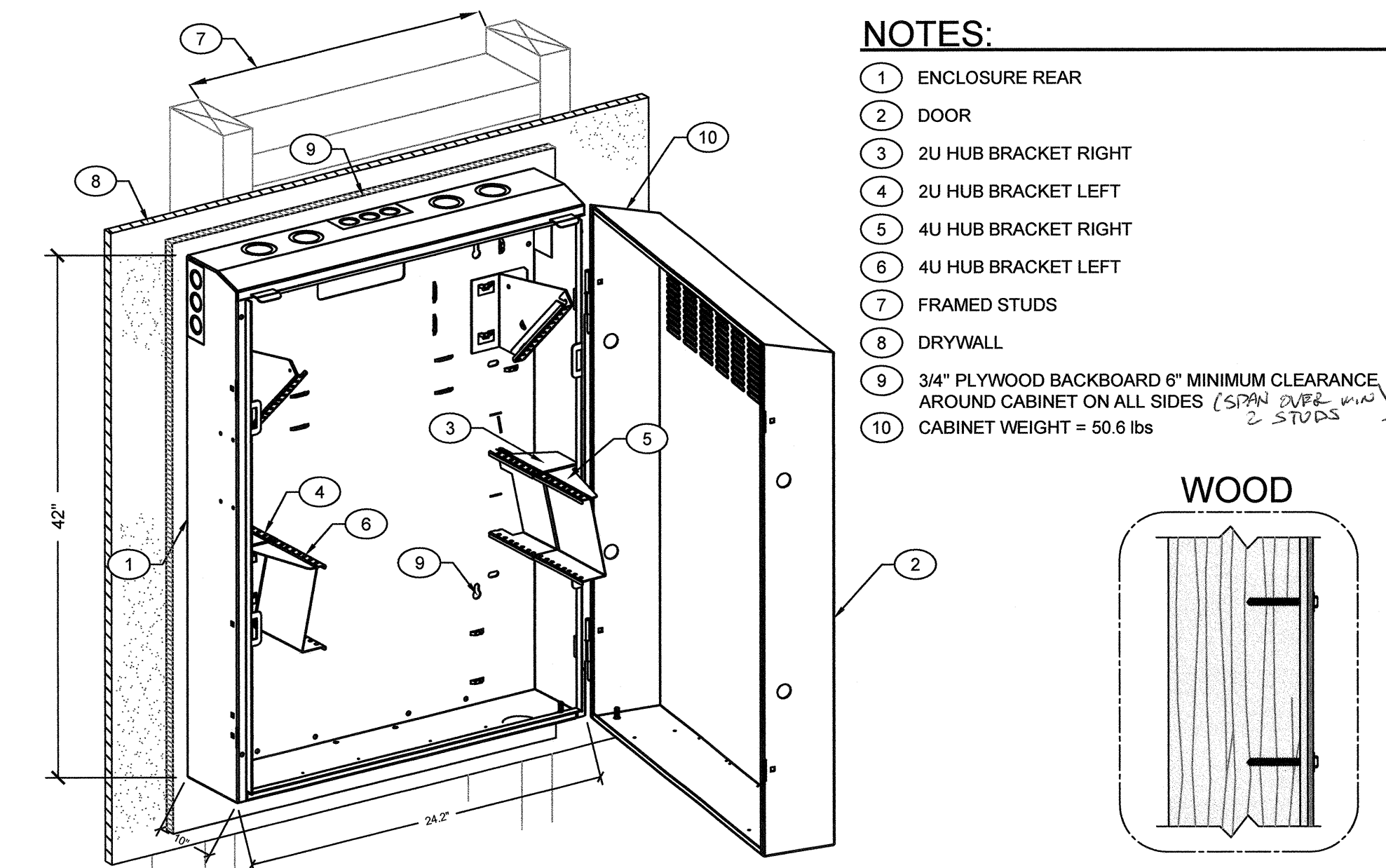


BUILDING DESIGNATOR/ RACK DESIGNATOR IF MULTIPLE	PANEL NUMBER	PORT NUMBER
---	--------------	-------------

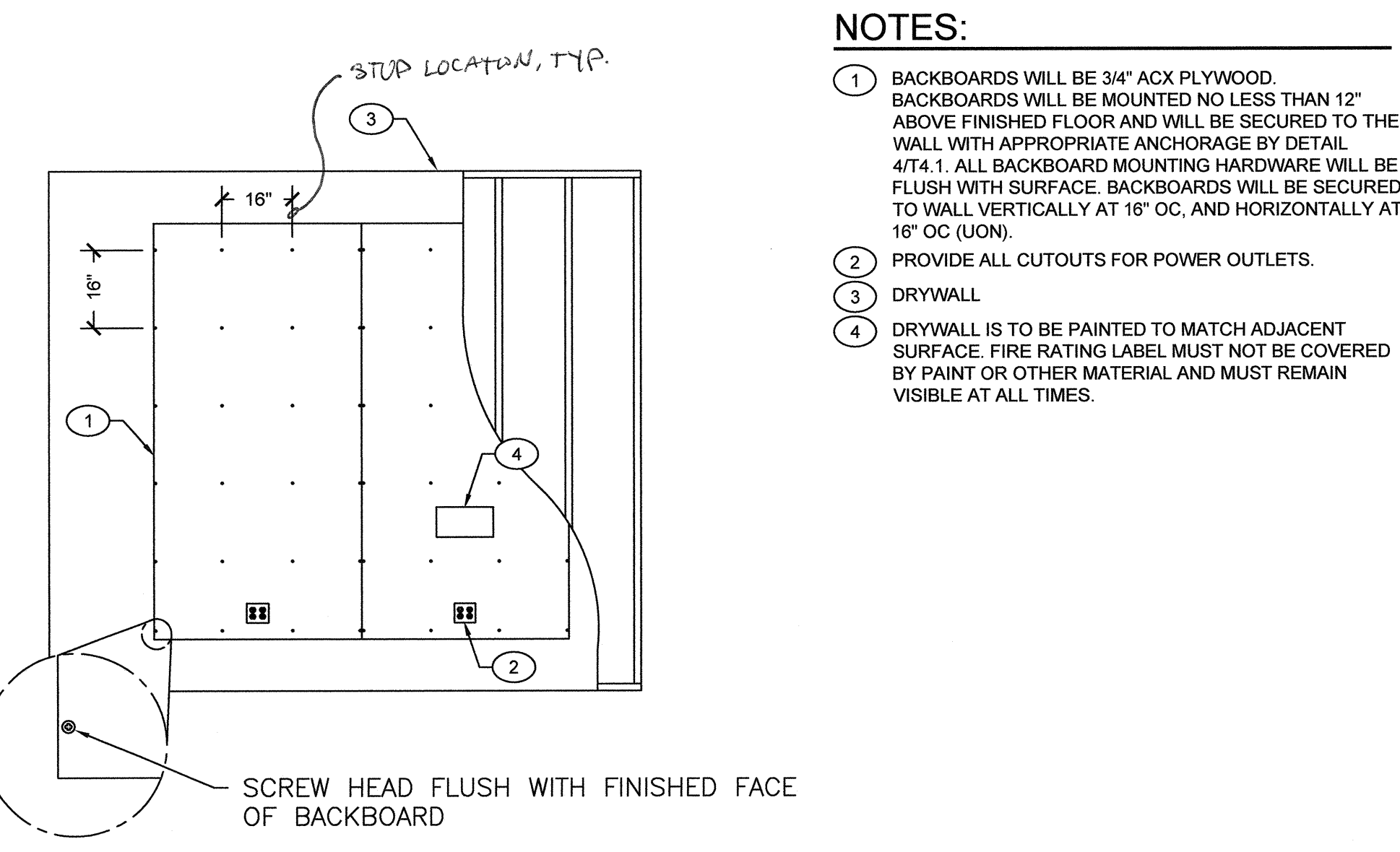
3 HORIZONTAL LINK IDENTIFIER LABELING FORMAT  
NOT TO SCALE



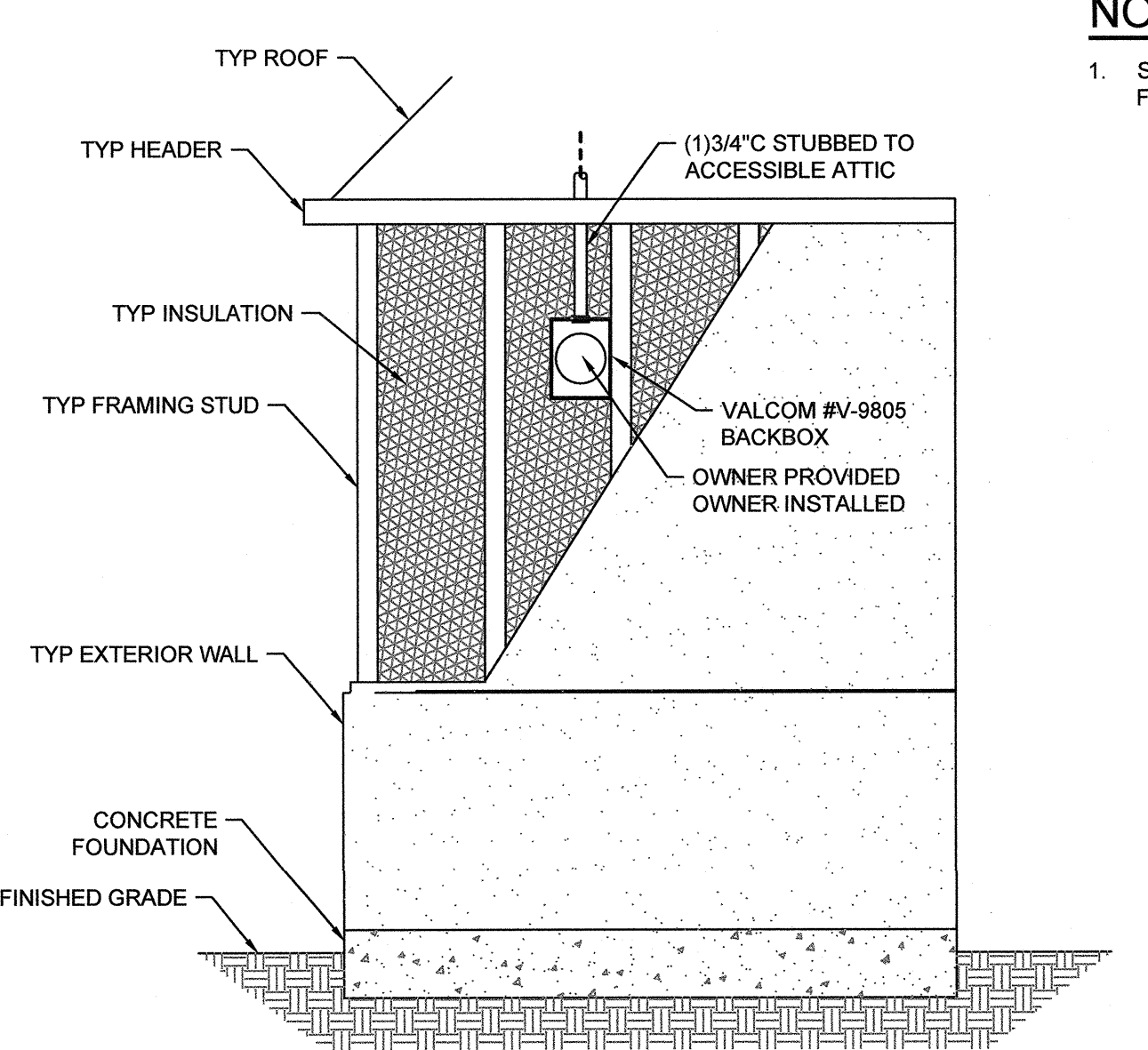
4 WALL FASTENER DETAIL  
NOT TO SCALE



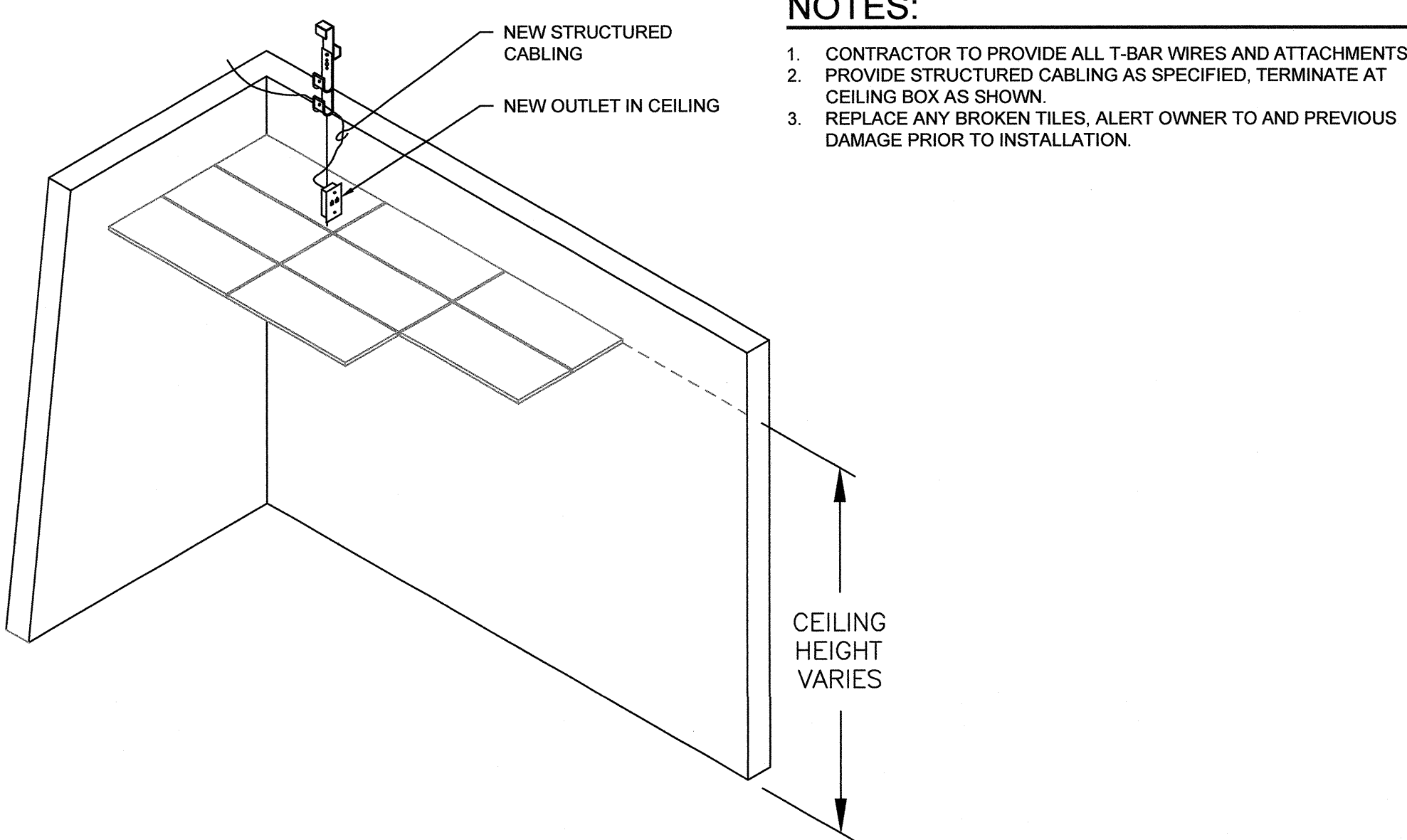
5 RE4X REMOTE EQUIPMENT BOX DETAIL  
NOT TO SCALE



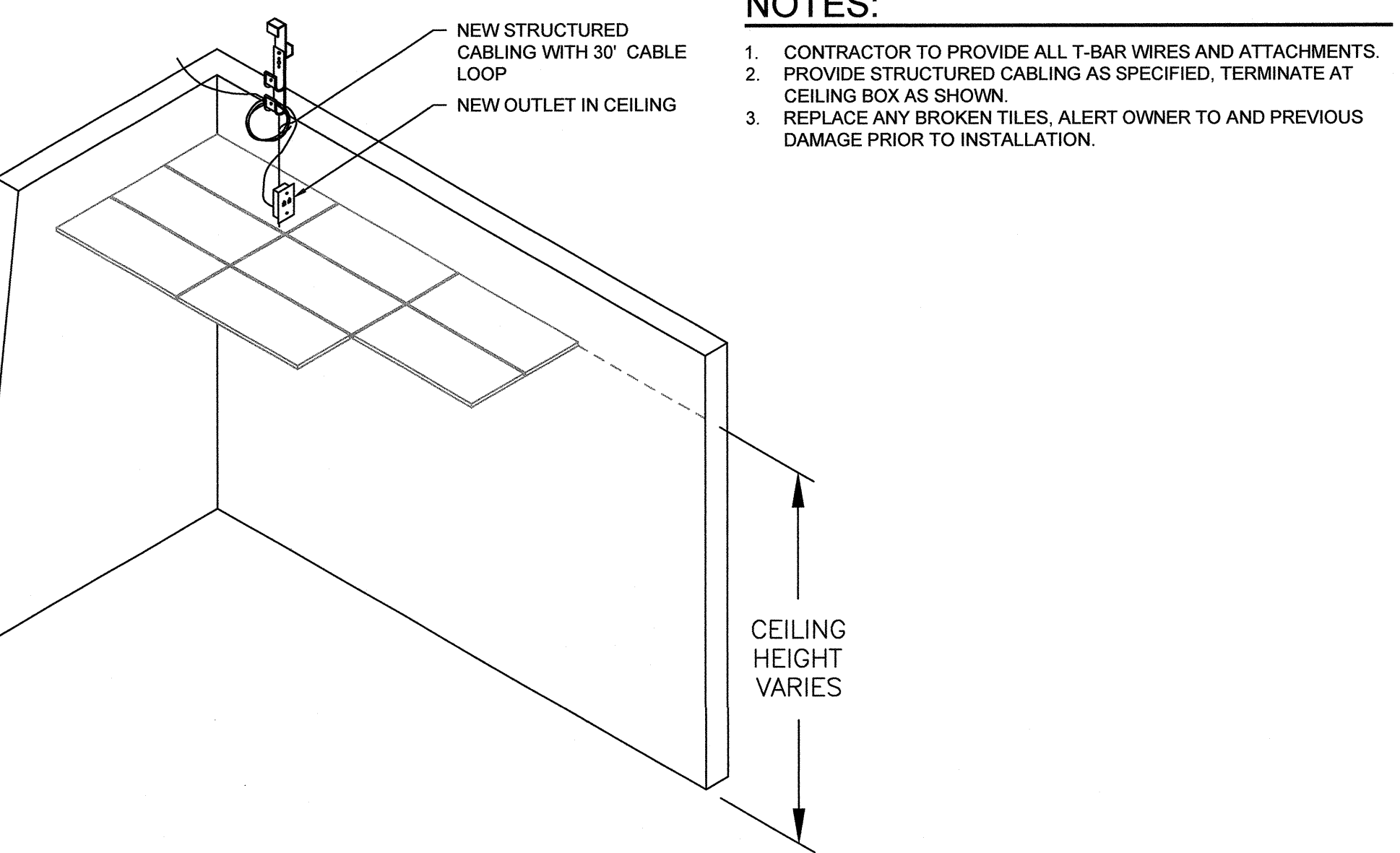
6 BACKBOARD DETAIL  
NOT TO SCALE



7 EXTERIOR WEATHER-PROOF HORN DETAIL  
NOT TO SCALE



8 IN CEILING DATA OUTLET  
NOT TO SCALE



9 IN CEILING COILED DATA OUTLET  
NOT TO SCALE

AGENCY INFORMATION:  
AGENCY TRACKING NO. 63321-356  
FILE NO. 15-6  
IDENTIFICATION STAMP  
DIV. OF THE STATE ARCHITECT  
OFFICE OF REGULATION SERVICES  
03-120240  
AC. VLS SS  
DATE JAN 02 2020

SEAL

COPYRIGHT:  
Any reproduction or distribution for any purpose other than authorized by IBI Group is forbidden.

COPYRIGHT 2019 IBI GROUP

REVISIONS			
NO.	DATE SUBMITTED	DATE APPROVED	DESCRIPTION

CONSULTANT

PRIME CONSULTANT

IBI ARCHITECTURE PLANNING  
San Luis Obispo  
4119 Broad Street, Suite 210  
San Luis Obispo, CA 93401  
805.546.0433 fax: 805.546.0504  
ibigroup.com

INFINITY COMMUNICATIONS AND CONSULTING  
PO BOX 6669, BAKERSFIELD CA 93396  
Ph: 663.716-1840 Tlx: 663.716-1941  
www.infinityconn.com

IBI ARCHITECTURE PLANNING  
San Luis Obispo  
4119 Broad Street, Suite 210  
San Luis Obispo, CA 93401  
805.546.0433 fax: 805.546.0504  
ibigroup.com

BAKERSFIELD CITY SCHOOL DISTRICT

BESSIE OWENS E.S. KINDERGARTEN MODULAR BUILDINGS  
815 POTOMAC AVE, BAKERSFIELD, CA 93307

OPSC or OSHPD PROJ. NO.	N/A
PROJECT NO.	118932
DRAWN BY:	Author
CHKD BY:	Checker
ISSUE DATE:	08/27/2019

SHEET TITLE  
**INSTALLATION SHEET**

SHEET NUMBER  
**T4.1**

CONSTRUCTION DOCUMENTS