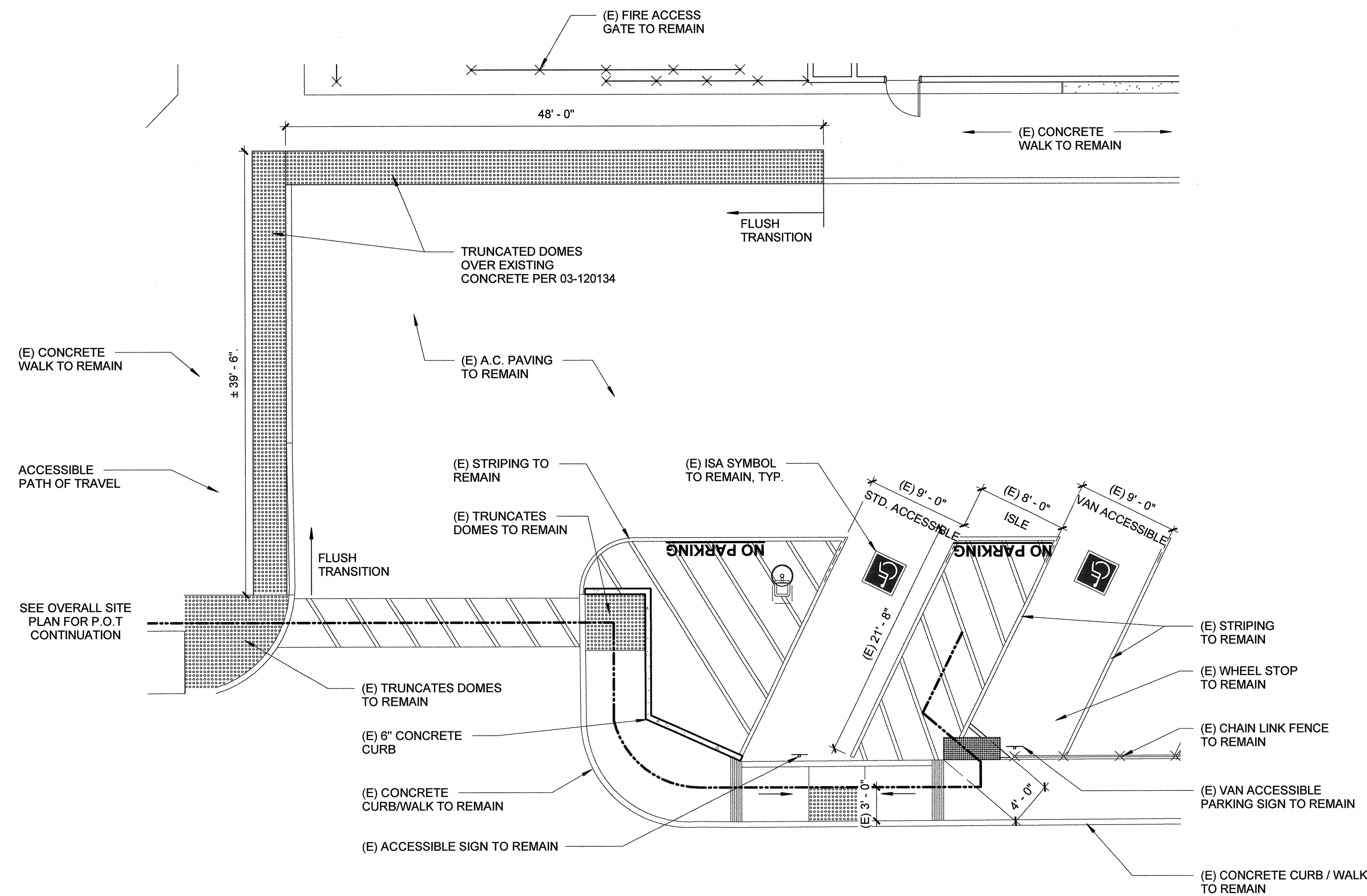
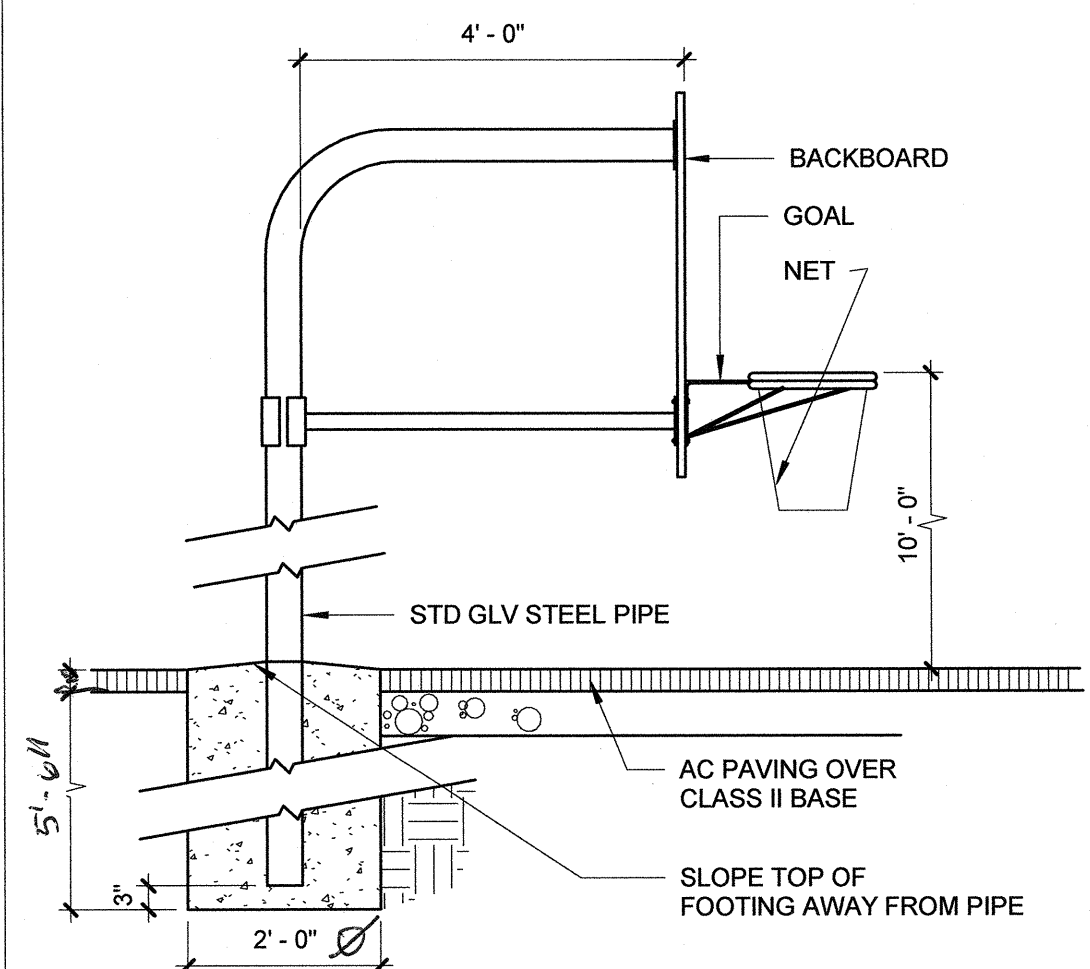


30 BASKETBALL COURT

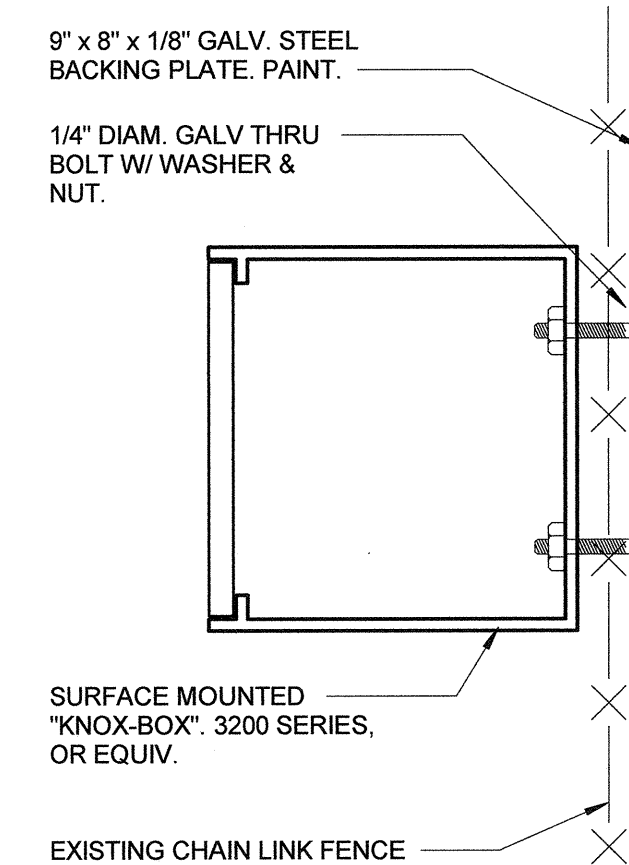
1/16" = 1'-0"

20 BASKETBALL BACKSTP. 1/2" = 1'-0"



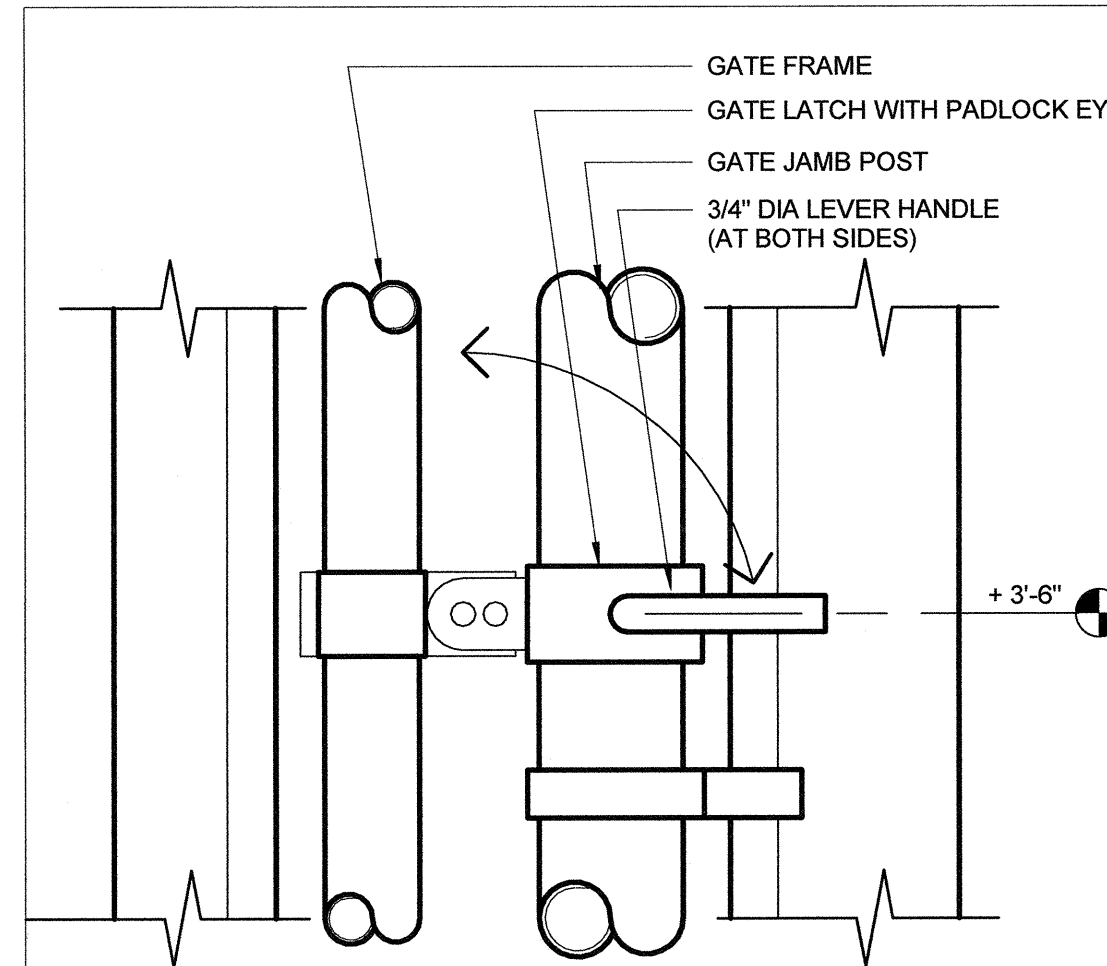
14 EXISTING ACCESSIBLE PARKING - A#03-115432 / 03-120134

1/8" = 1'-0"



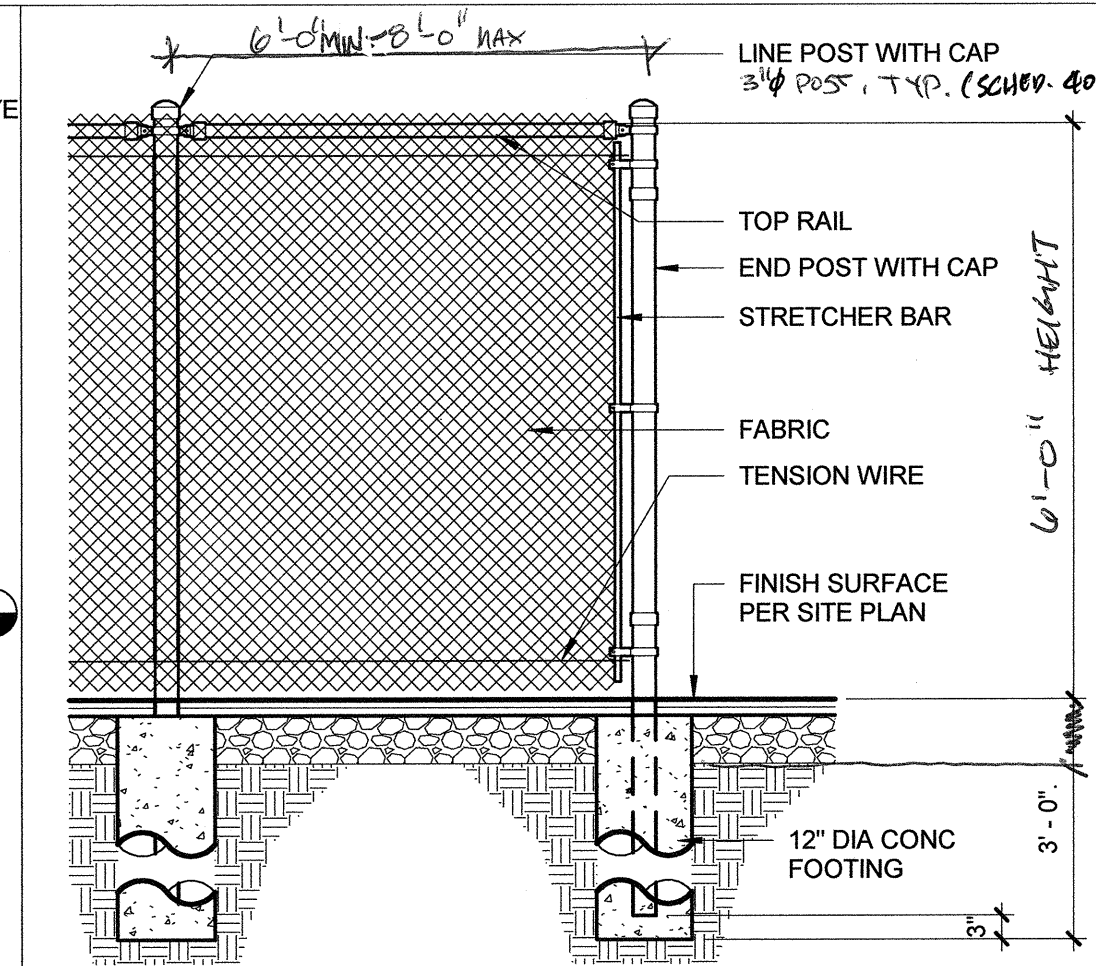
19 KNOX BOX

6" = 1'-0"



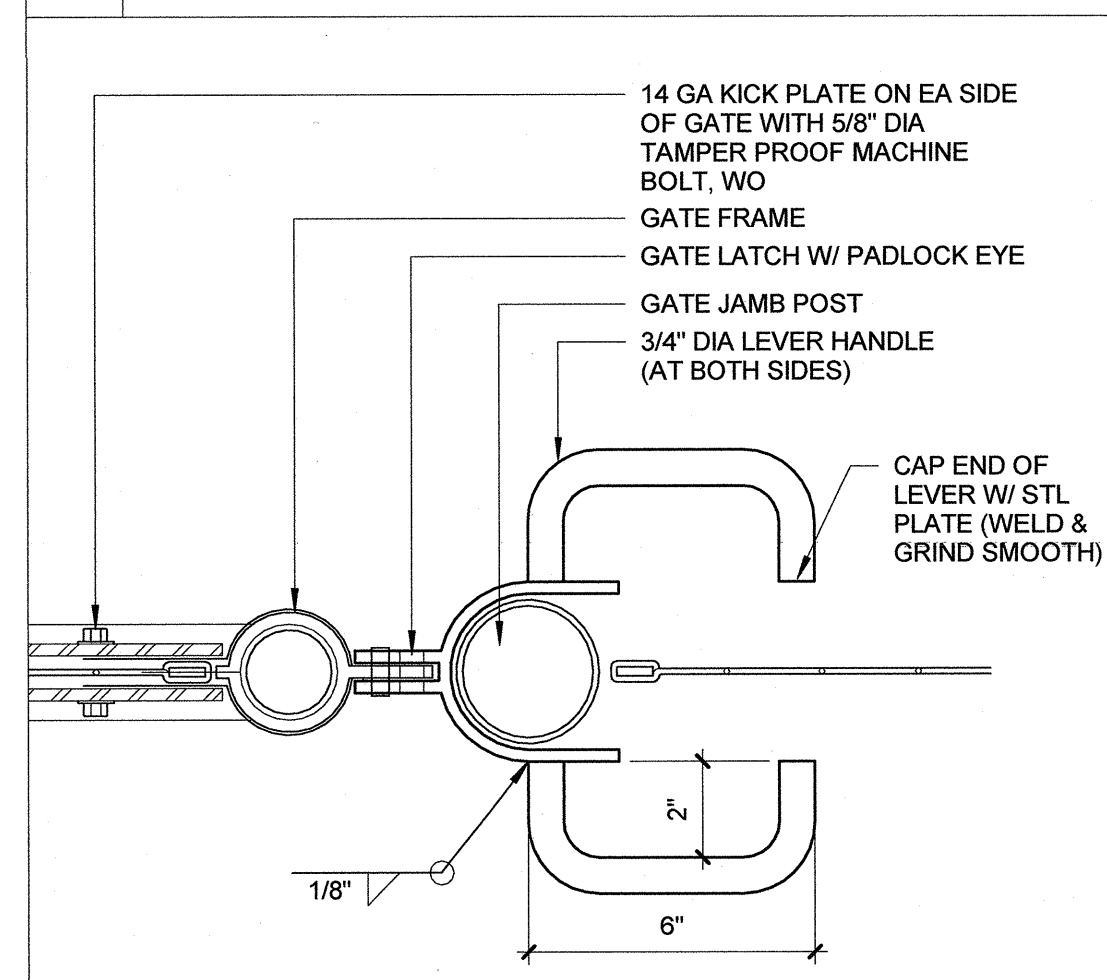
12 ACC. GATE LATCH

3" = 1'-0"



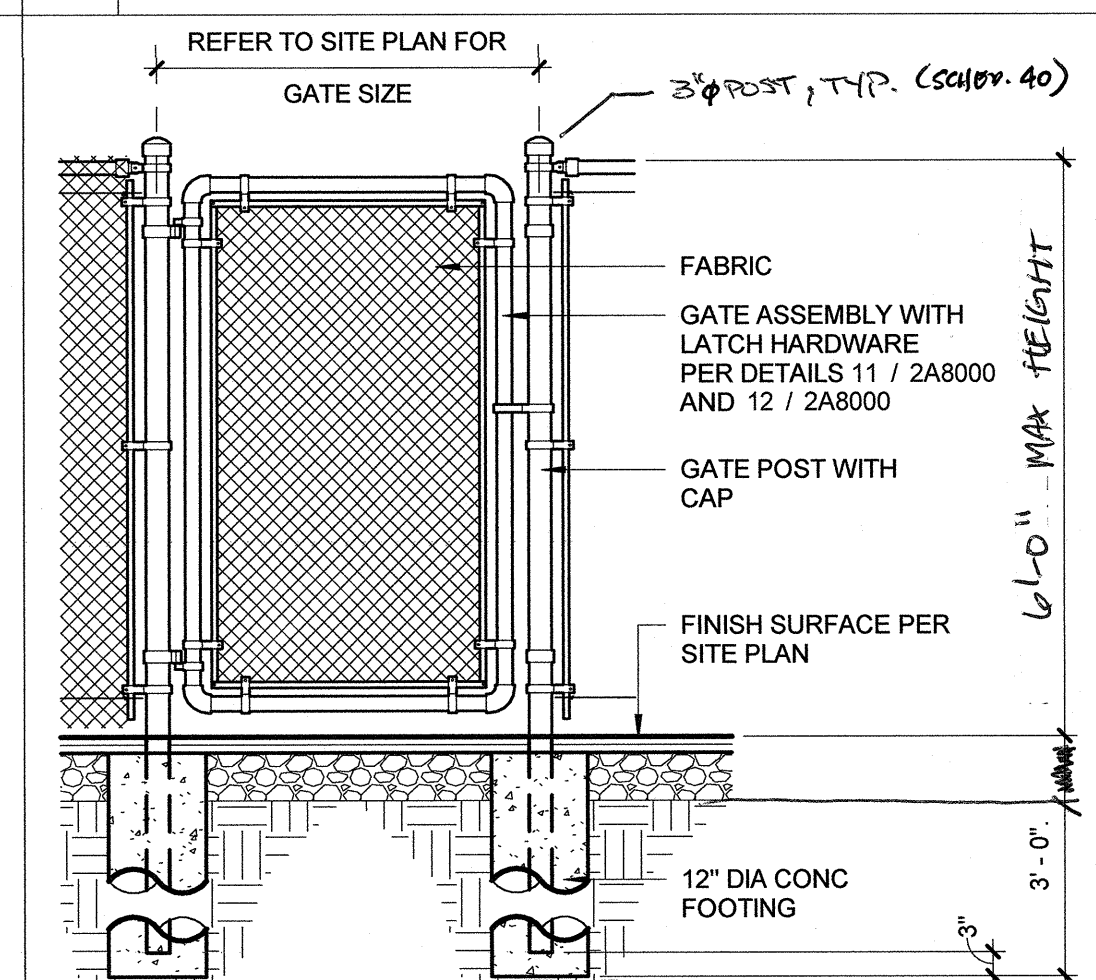
7 CHAIN LINK FENCE

1/2" = 1'-0"



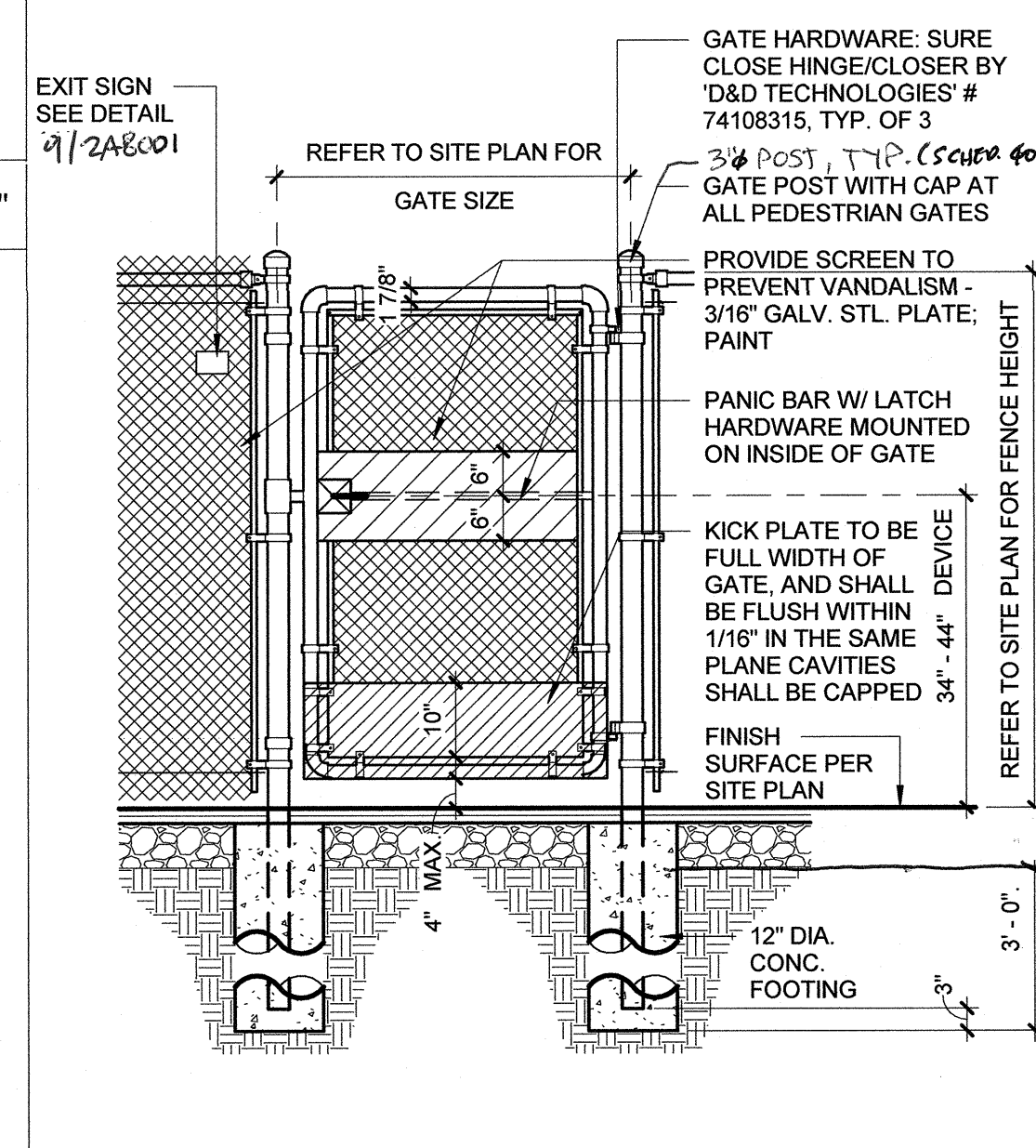
11 ACC. GATE LATCH

3" = 1'-0"



6 CHAIN LINK GATE

1/2" = 1'-0"



1 ACCESSIBLE GATE

1/2" = 1'-0"

AGENCY INFORMATION:
 AGENCY TRACKING NO. 63321-356
 FILE NO. 15-6
 IDENTIFICATION STAMP
 DIV. OF THE STATE ARCHITECT
 OFFICE OF REGULATION SERVICES
 03-120240
 AC. VLS SS
 DATE JAN 02 2020



COPYRIGHT:
 Any reproduction or distribution for any purpose other than authorized by IBI Group is forbidden.

COPYRIGHT 2019 IBI GROUP

REVISIONS			
NO.	DATE SUBMITTED	DATE APPROVED	DESCRIPTION

CONSULTANT

PRIME CONSULTANT

ARCHITECTURE PLANNING
IBI
 San Luis Obispo
 4119 Broad Street, Suite 210
 San Luis Obispo, CA 93401
 805.546.0433 fax: 805.546.0504
 ibigroup.com

BAKERSFIELD CITY SCHOOL DISTRICT

 BAKERSFIELD CITY SCHOOL DISTRICT
 "Protect The Child Community"

BESSIE OWENS E.S. TEMPORARY MODULAR BUILDINGS
 815 POTOMAC AVE, BAKERSFIELD, CA 93307
 OPSC or OSHPD PROJ. NO. N/A
 PROJECT NO. 19122.00-38
 DRAWN BY: CZ
 CHKD BY: rRr
 ISSUE DATE: 11/05/2019
 SHEET TITLE

DETAILS

SHEET NUMBER
2A8000