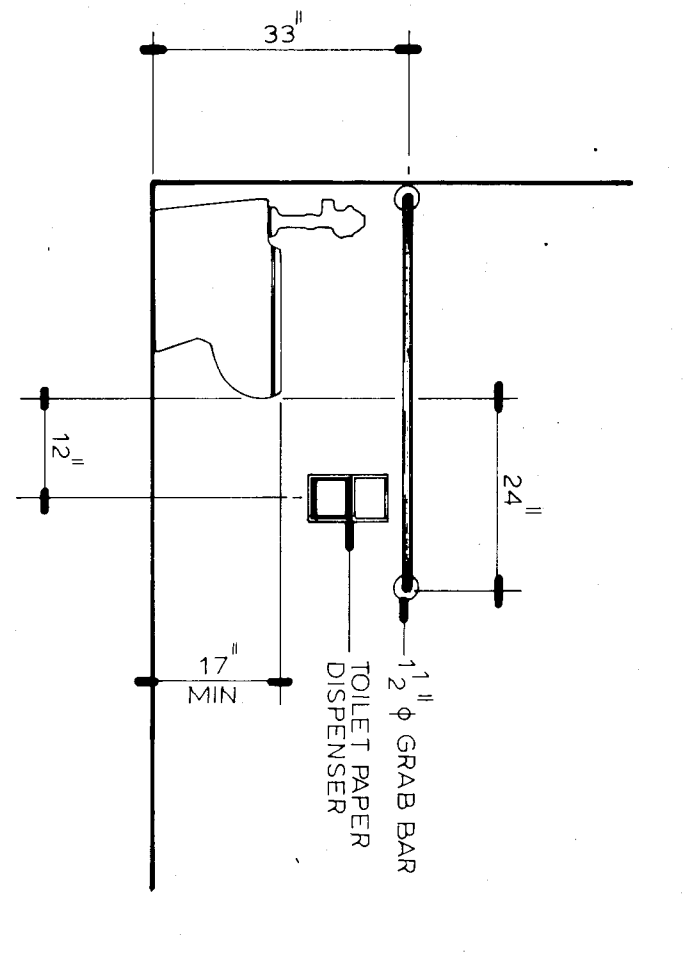
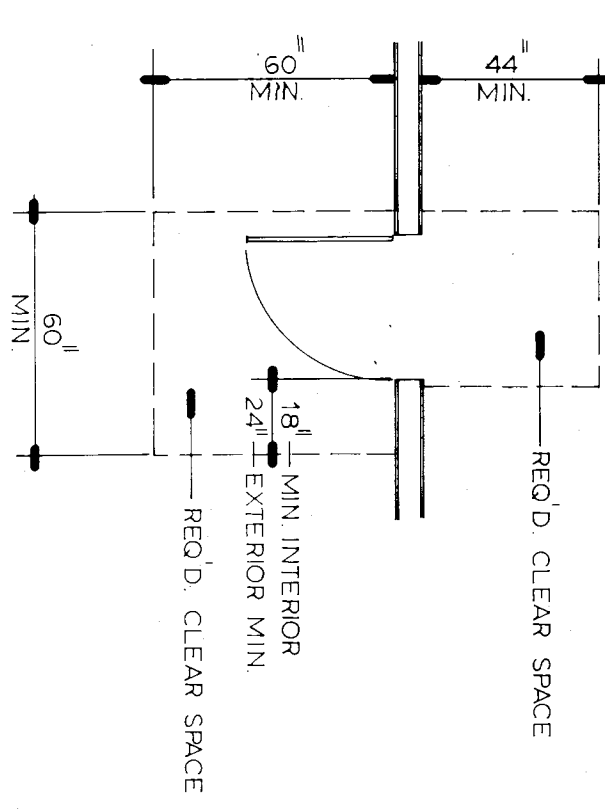


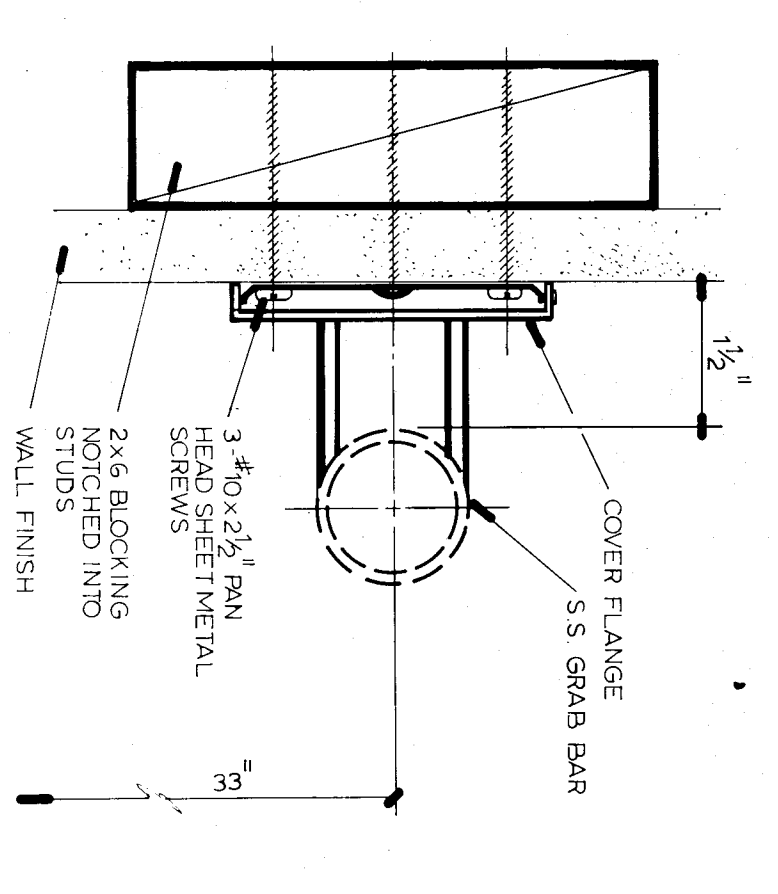
29 TYPICAL HANDICAPPED PARKING NTS



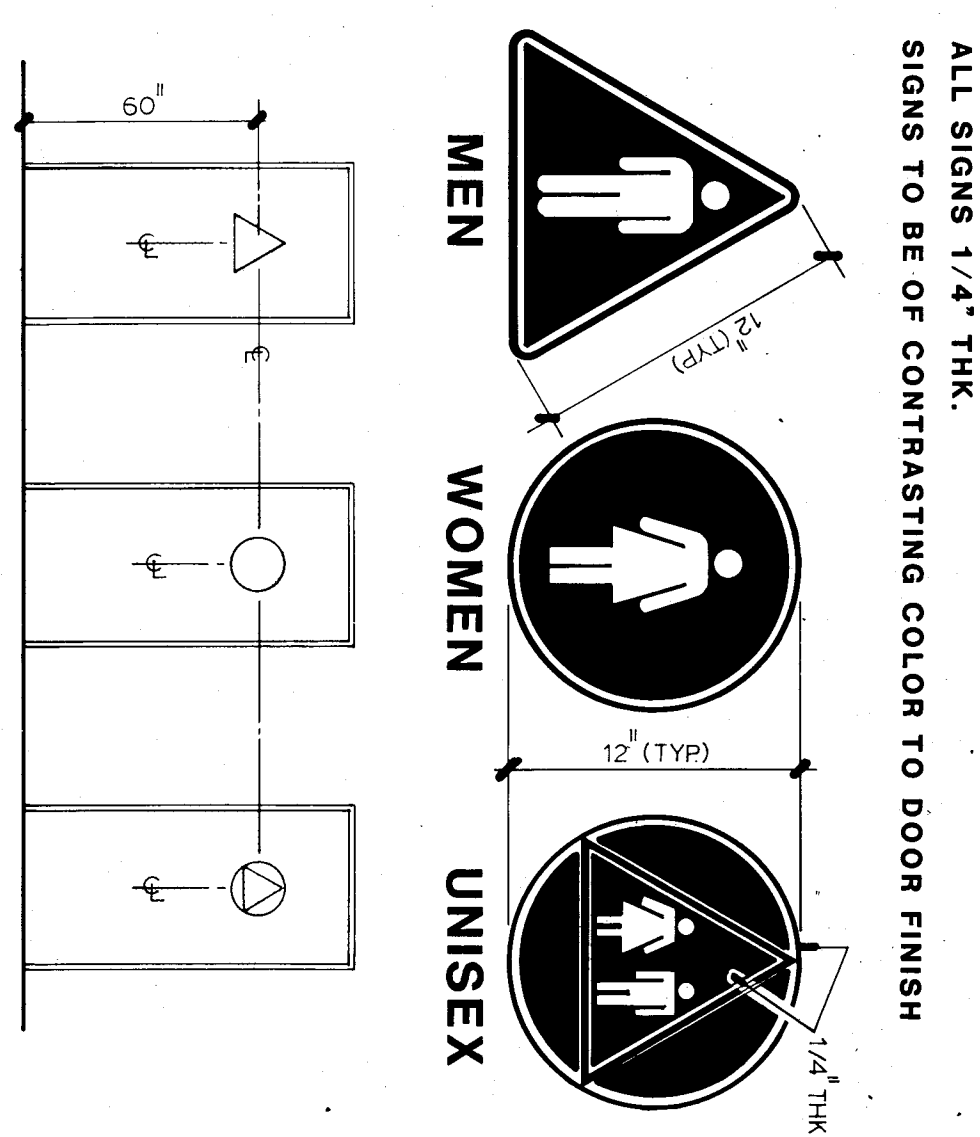
16 TOILET WALL MT'G. DETAIL 1 1/2"



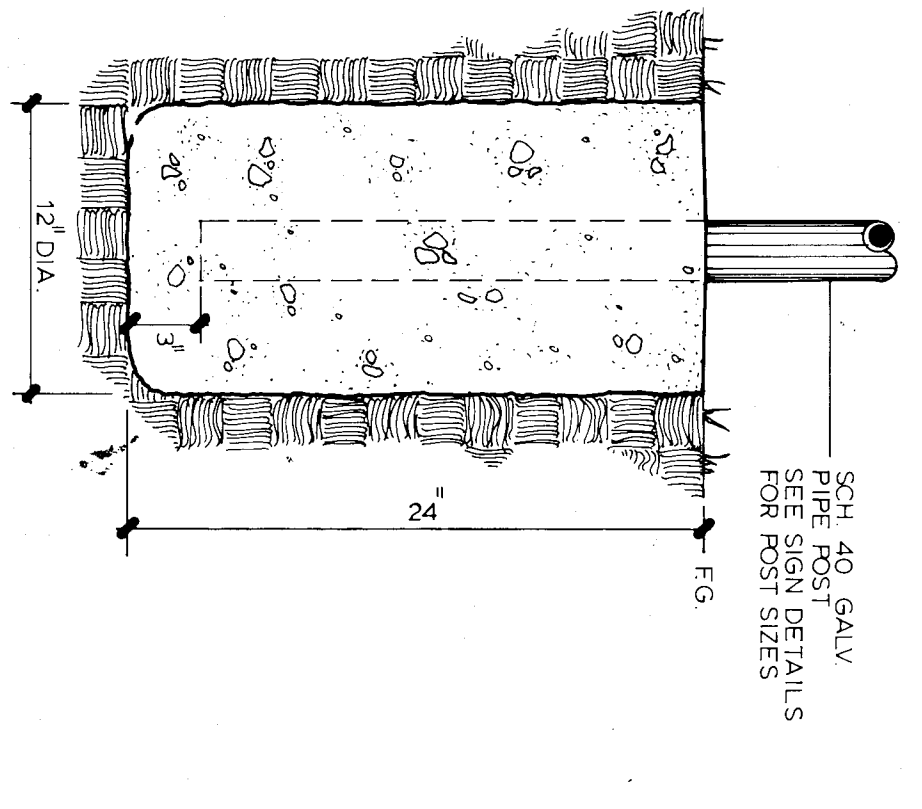
11 LEVEL FLOOR 1/4"



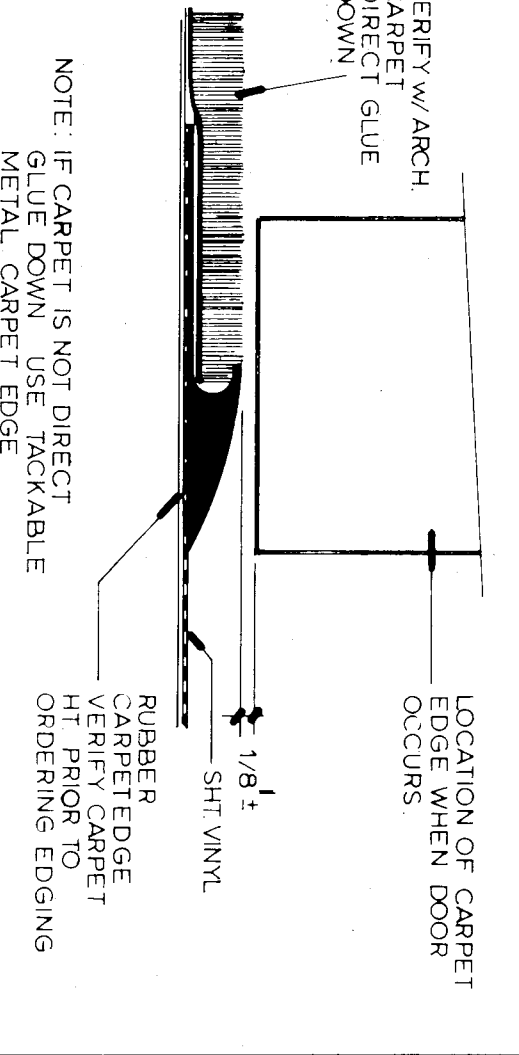
6 GRAB BAR DETAIL NTS



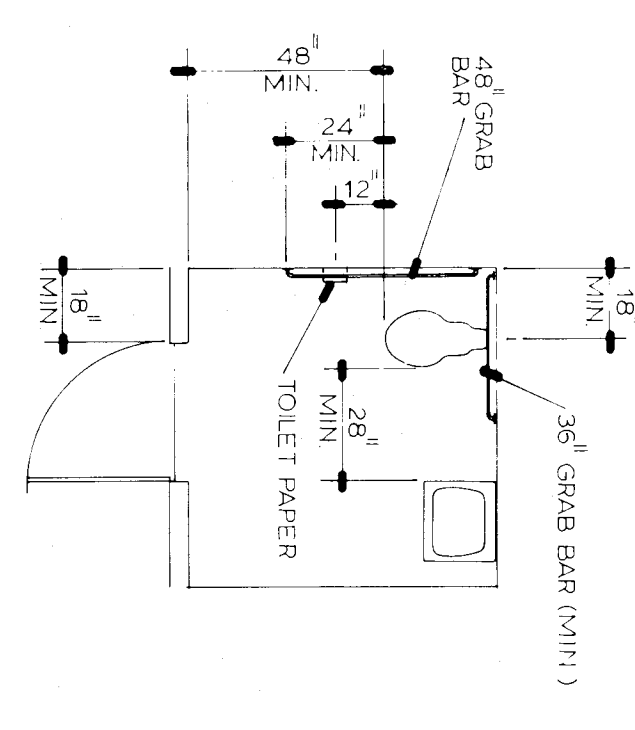
1 H.C. DOOR SYMBOLS NTS



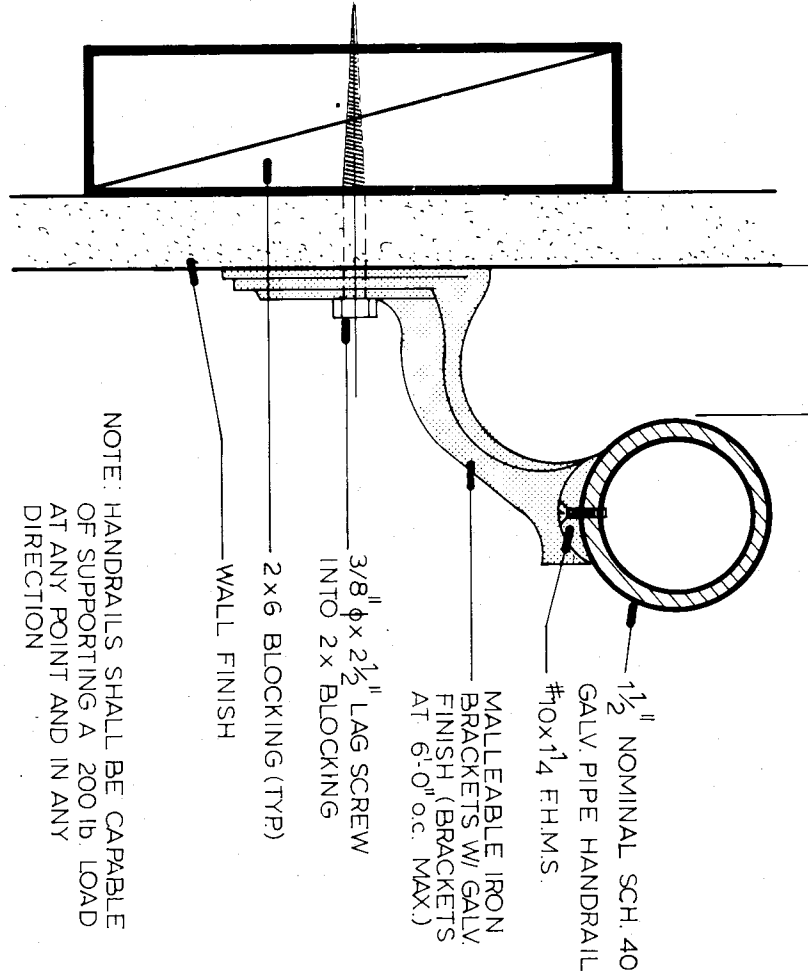
27 FOOTING DETAIL 1 1/2"



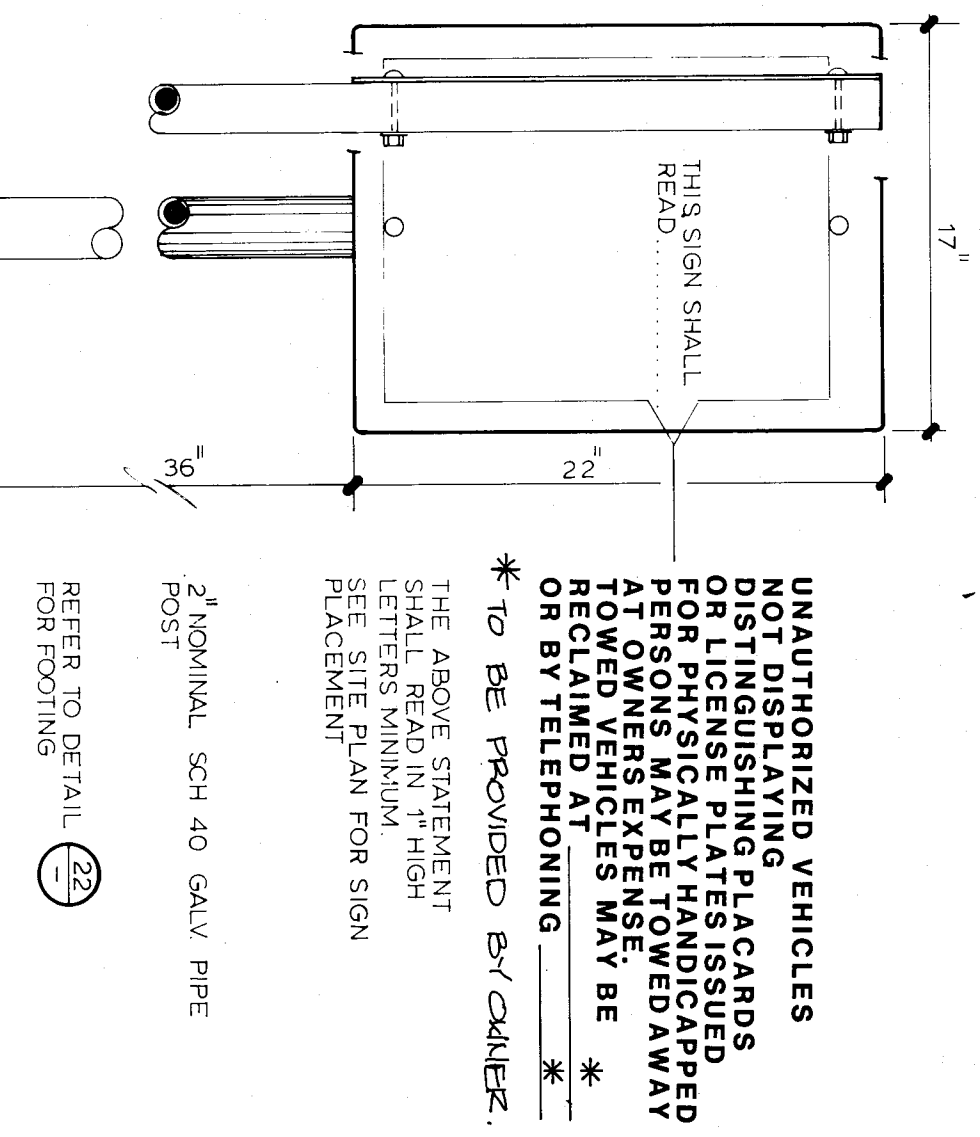
17 CARPET EDGE DETAIL NTS



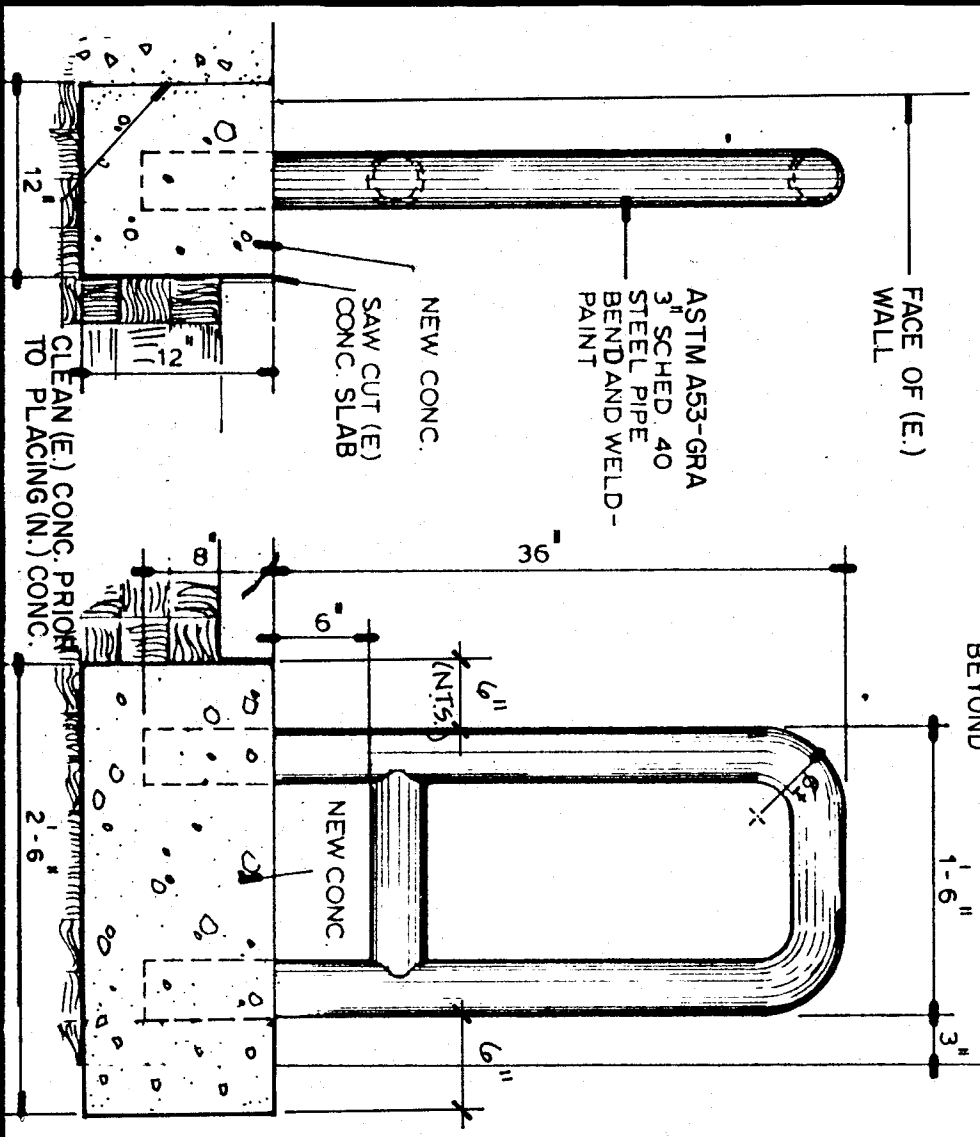
2 PRIVACY TOILET 1/4"



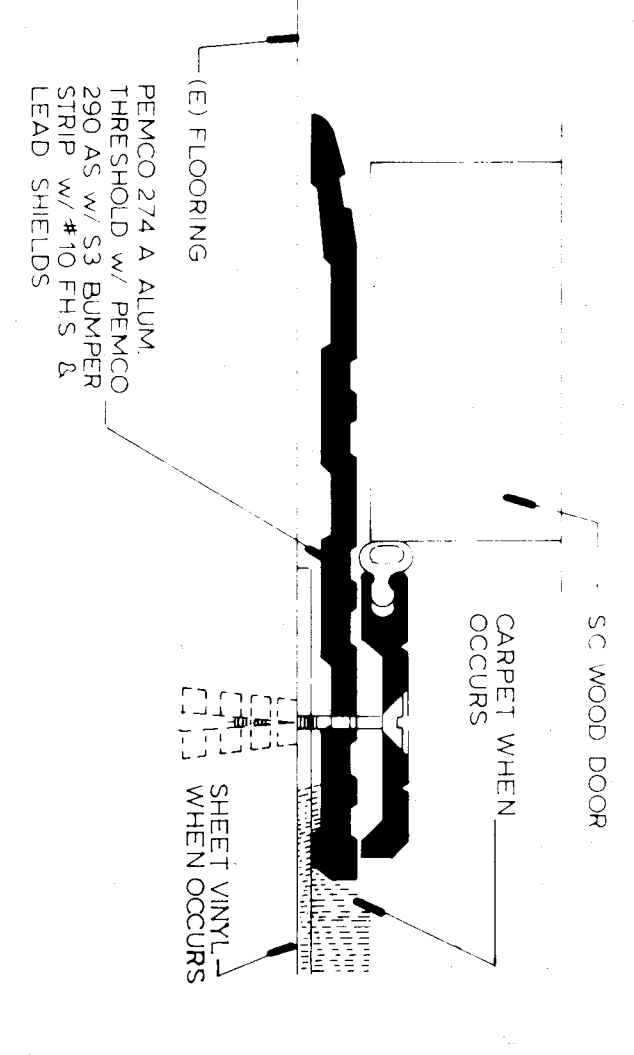
7 HANDRAIL DETAIL NTS



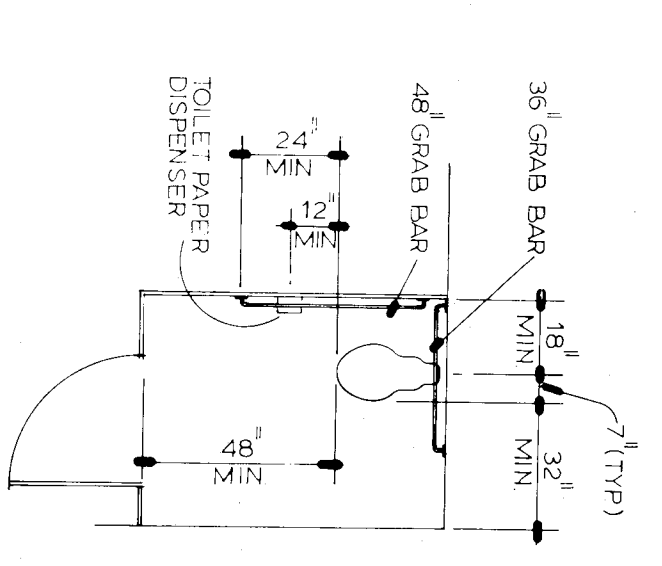
2 HANDICAPPED SIGNAGE NTS



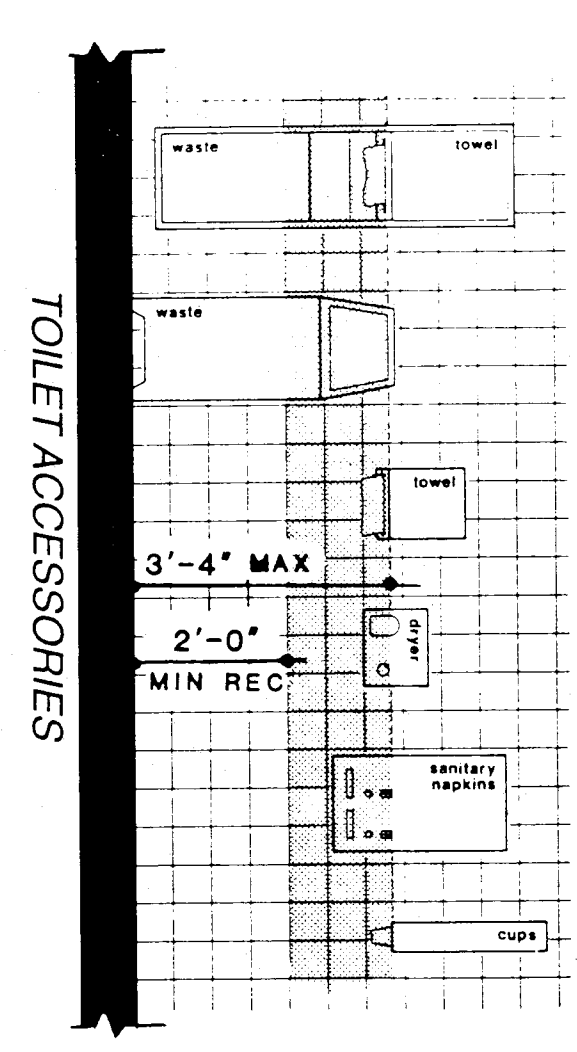
23 DRINKING FOUNTAIN IMPACT RAIL 1"



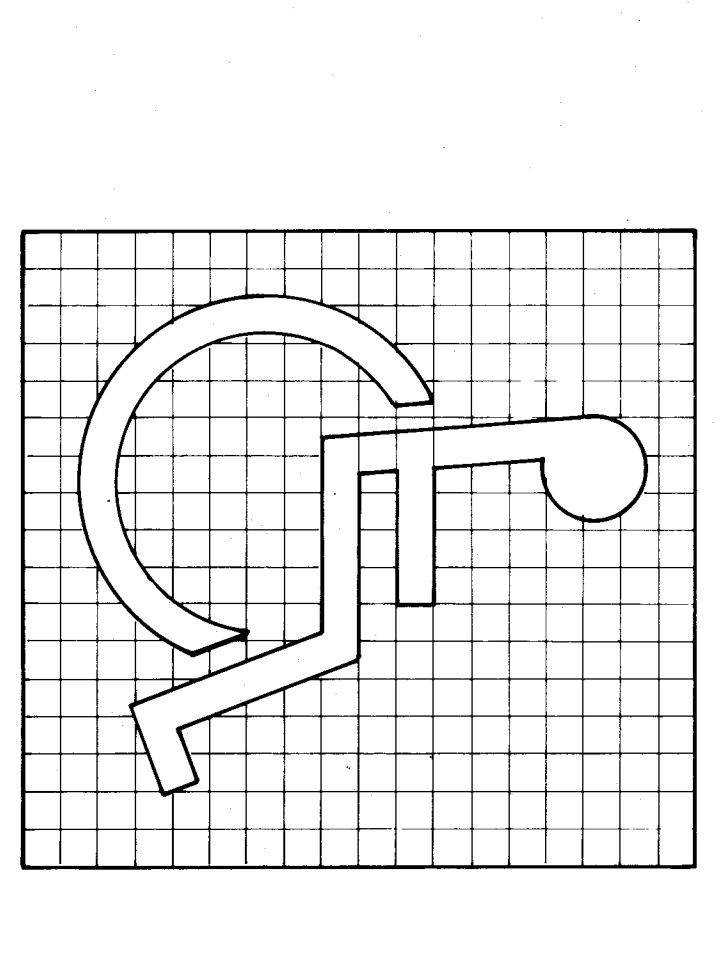
18 THRESHOLD DETAIL NTS



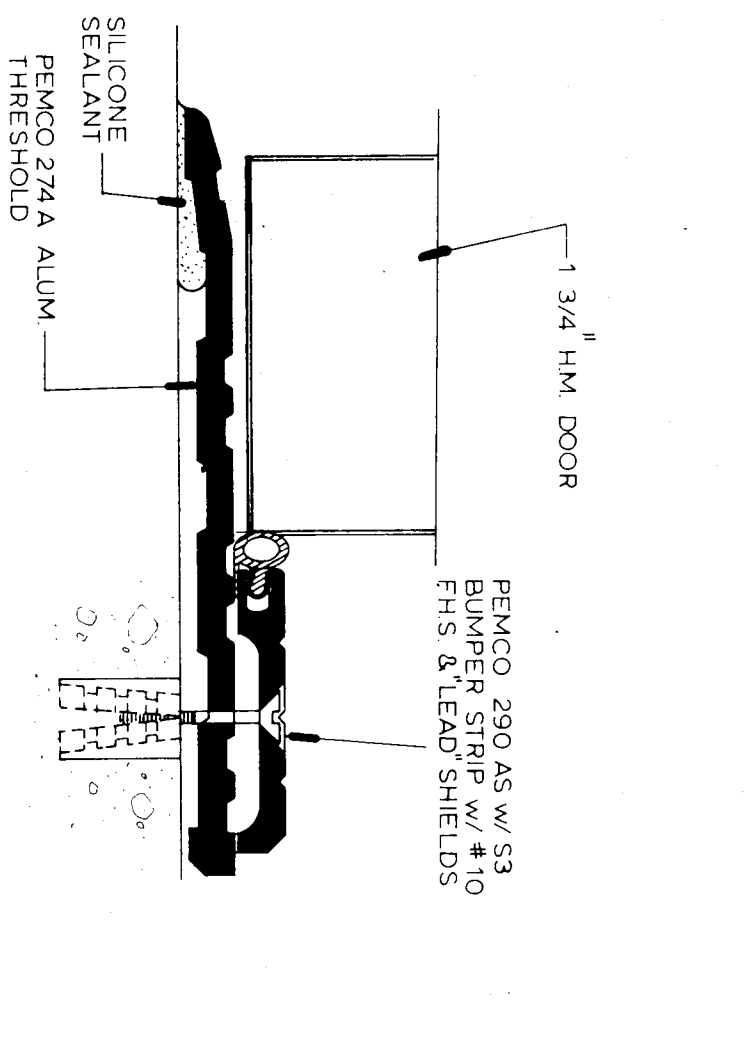
3 COMPARTMENT TOILET 1/4"



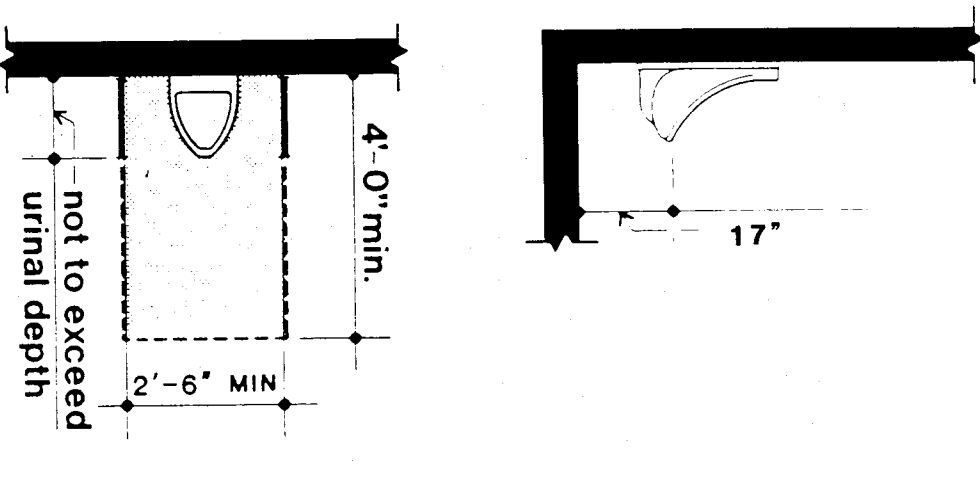
8 H.C. ACCESSORIES NTS



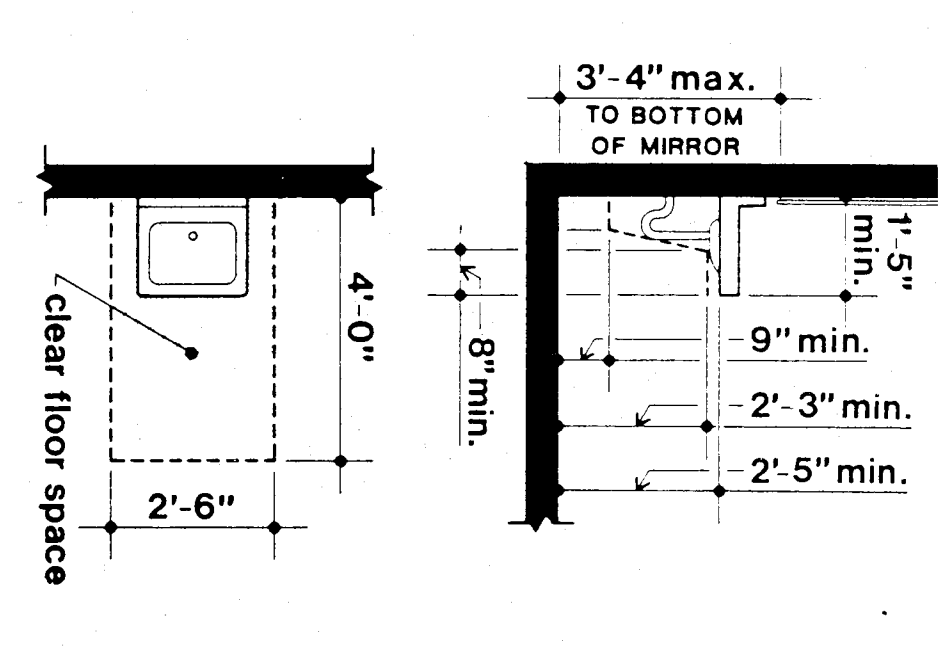
3 SYMBOL PROPORTIONS NTS



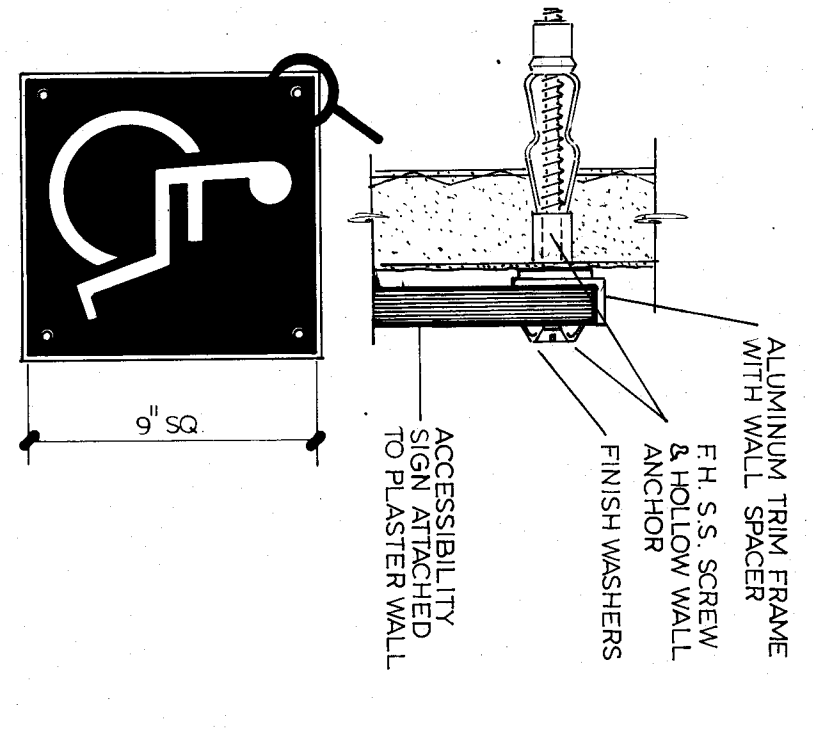
9 THRESHOLD DETAIL NTS



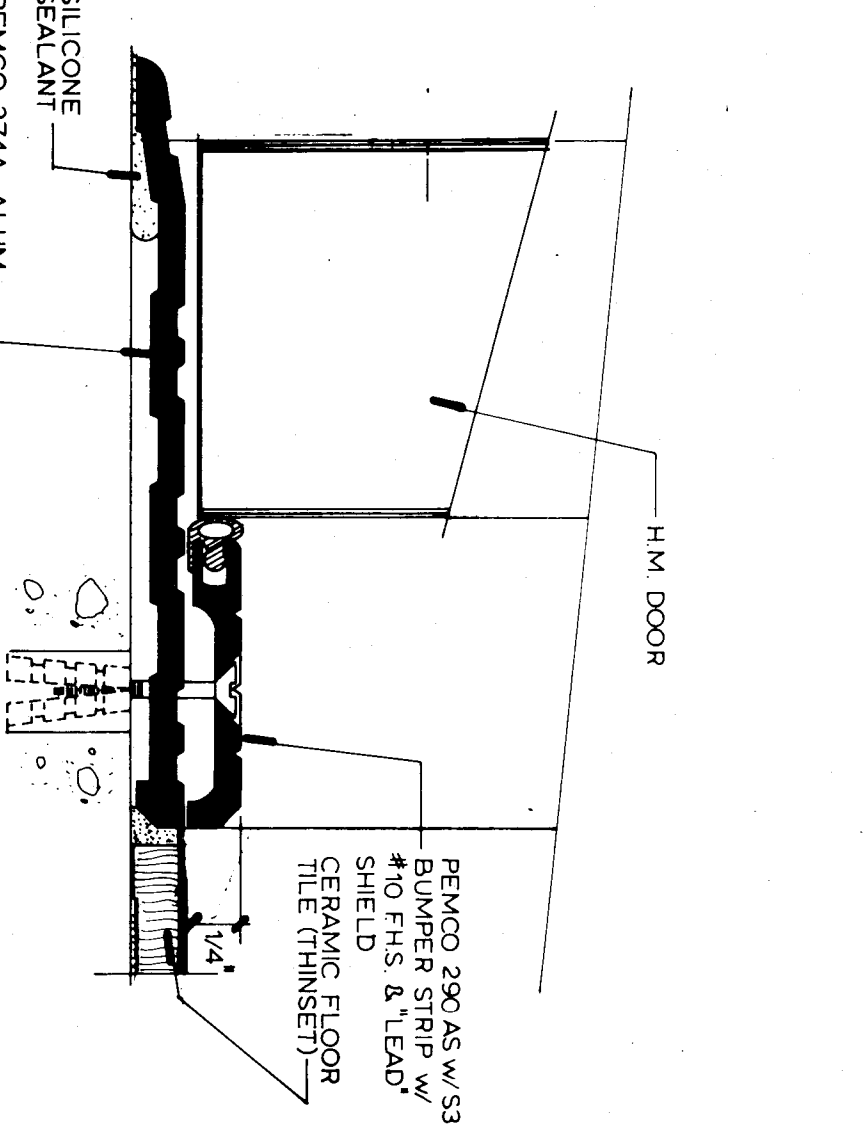
4 H.C. URINAL NTS



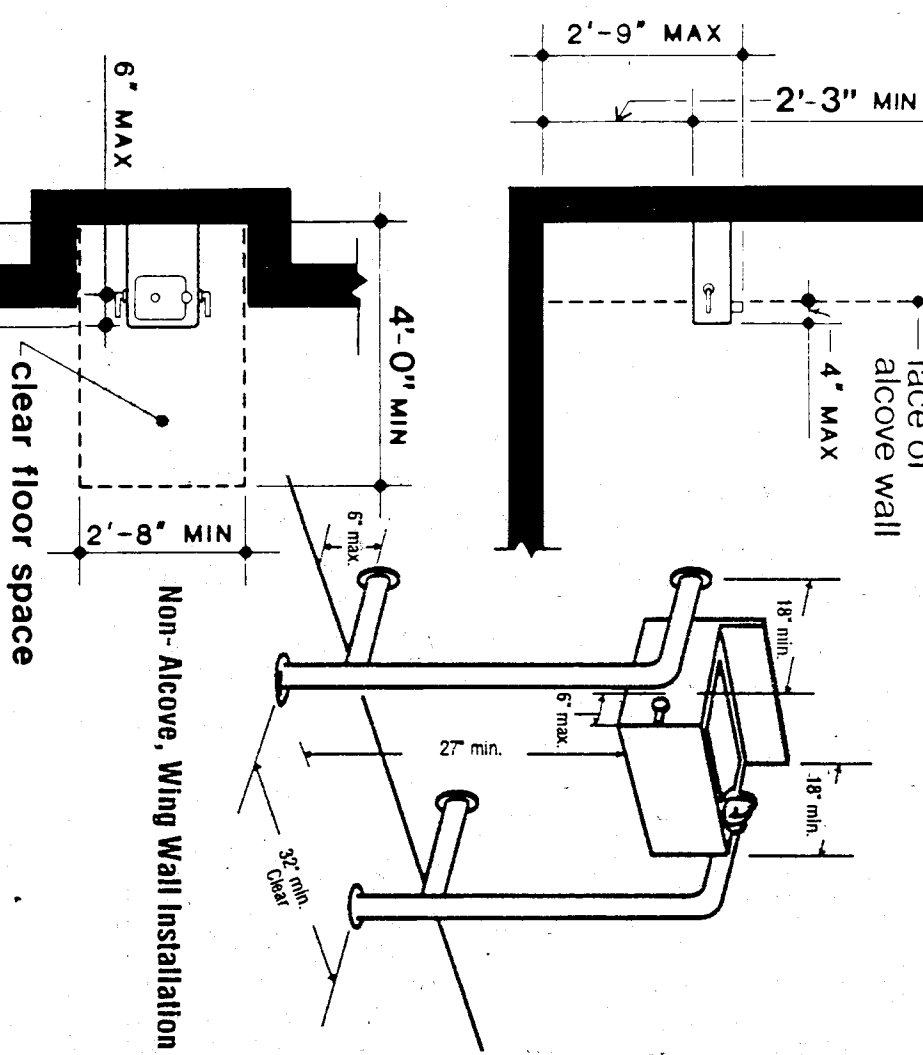
9 H.C. LAVATORY NTS



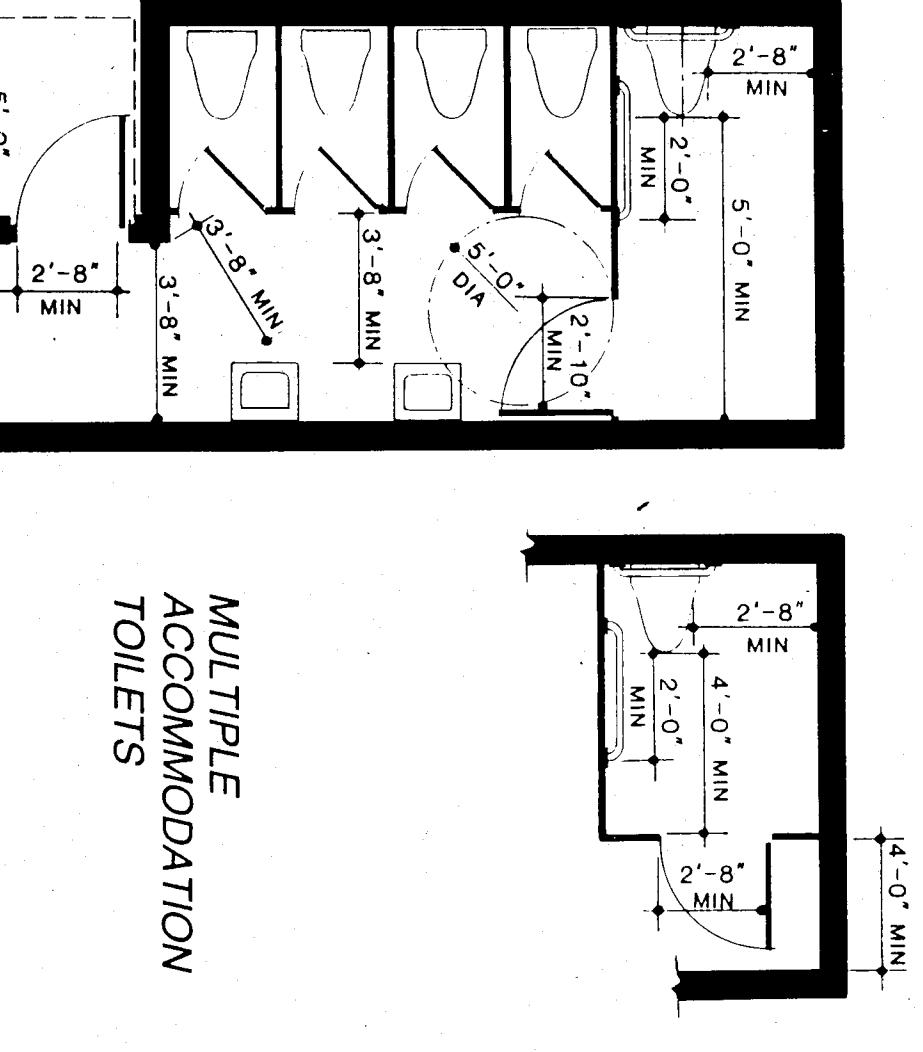
4 H.C. ACCESSIBILITY NTS



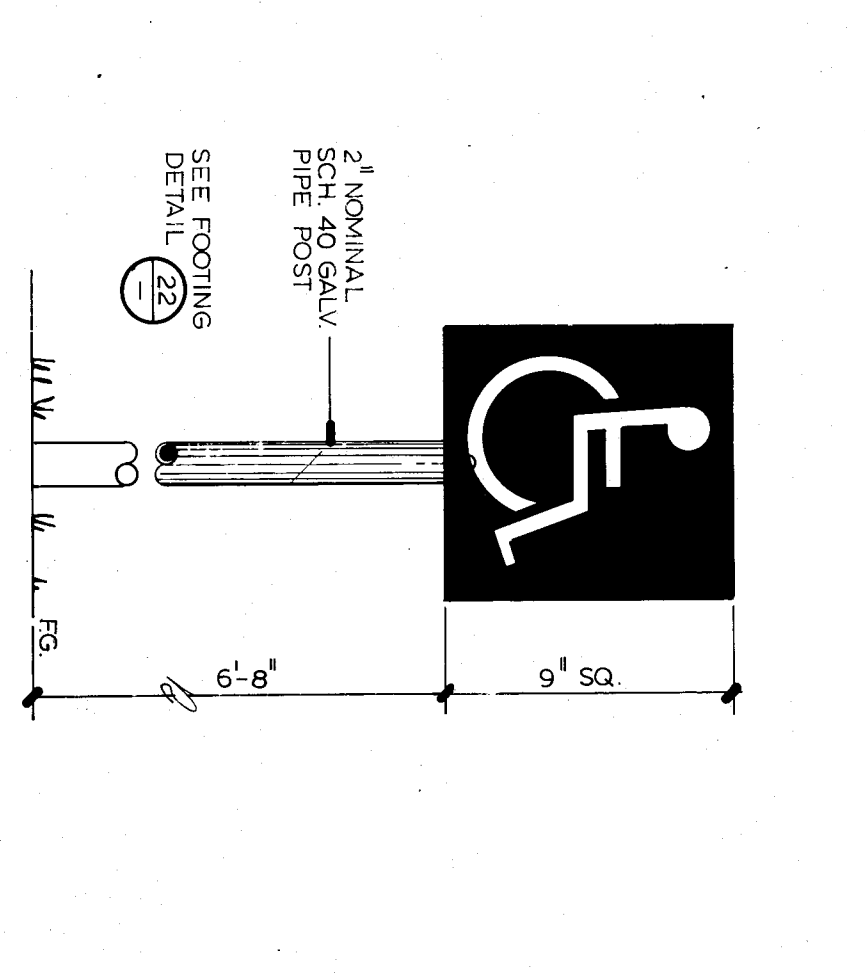
20 THRESHOLD DETAIL NTS



5 H.C. DRINKING FOUNTAIN NTS



10 MULTIPLE TOILETS NTS



5 H.C. PARKING SIGN NTS

ROBERT F. STUHR ARCHITECT INC.  
3121 CALIFORNIA AVE.  
BAKERSFIELD, CA  
93304  
(805) 327-1632

EX-1  
ROBERT F. STUHR AIA C-1610  
WILLIAM J. MELEBY AIA C-16835  
DANNY E. ORDIZ AIA C-14728

TITLE 24 & 1988 UBC

4/7/04

HC. DETAILS  
VISTA EAST CONTINUATION HIGH SCHOOL 30 YEAR MODERNIZATION  
815 EUREKA STREET  
KERN HIGH SCHOOL DISTRICT  
KERN COUNTY, CALIFORNIA

CHECK AND VERIFY ALL DIMENSIONS BEFORE PROCEEDING WITH THE WORK. REPORT ALL DISCREPANCIES TO ARCHITECT IMMEDIATELY. CONSTRUCTION SHALL CONFORM TO UBC.

MARK DATE REVISIONS  
JOB NO. 707  
DRAWN  
CHECKED  
DATE 07/14/90  
1 OF 1 SHEETS