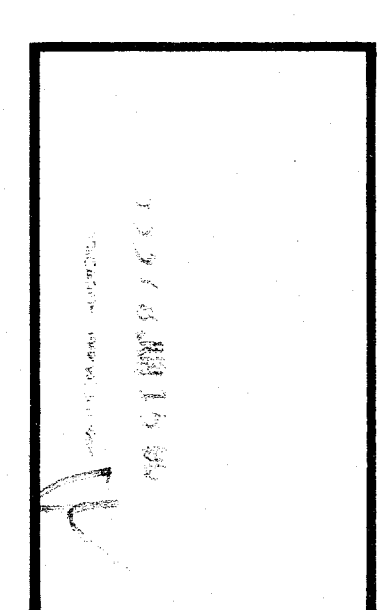
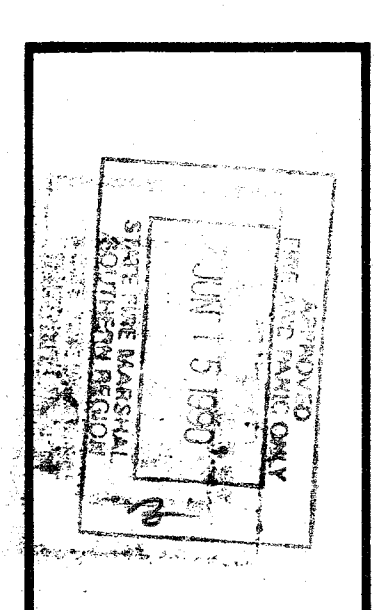
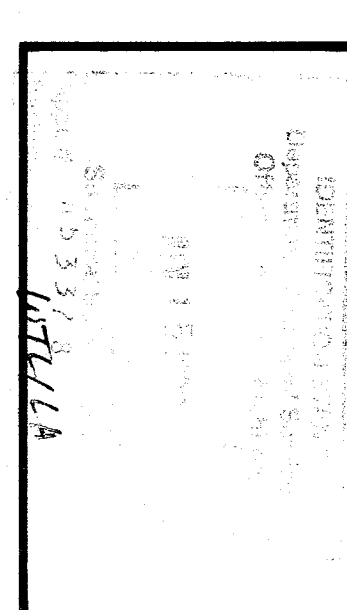


ROBERT F. STUHR ARCHITECT INC.

3121 CALIFORNIA AVE. BAY AREA, CA 94014 (909) 327-1532

ROBERT F. STUHR AIA C-1610
WILLIAM J. KIELEY AIA C-16835
DAVANN E. ORDOZ AIA C-14728

TITLE 24 & 1188 UBC



Peter Deem Engineering
Kern County, California
(805) 754-9725

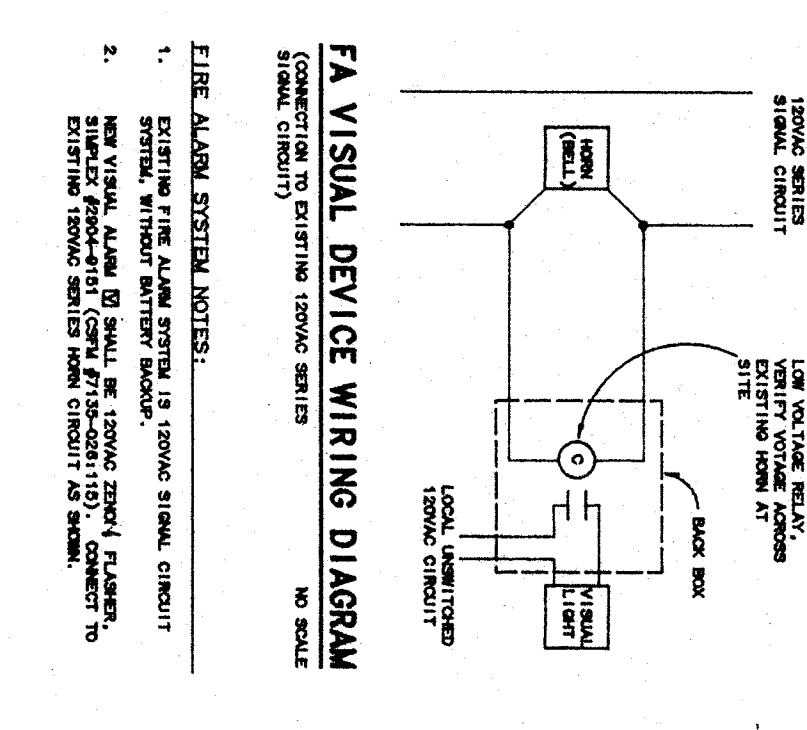
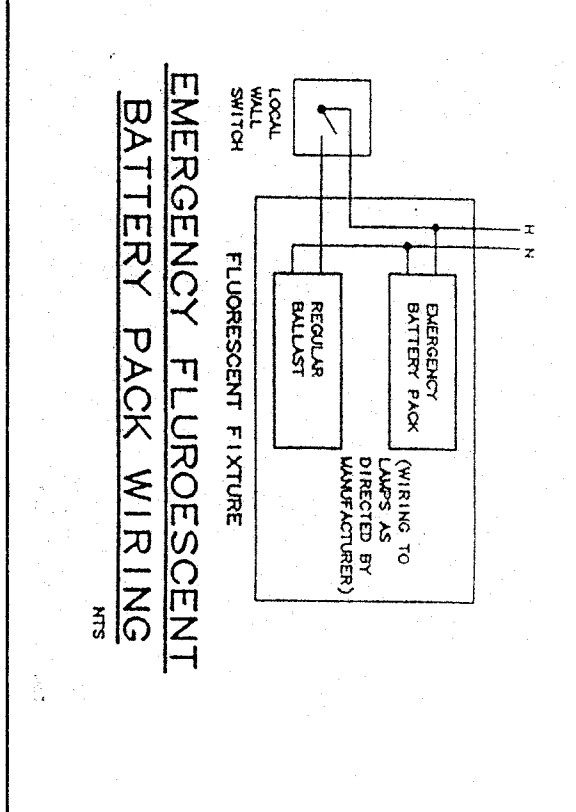
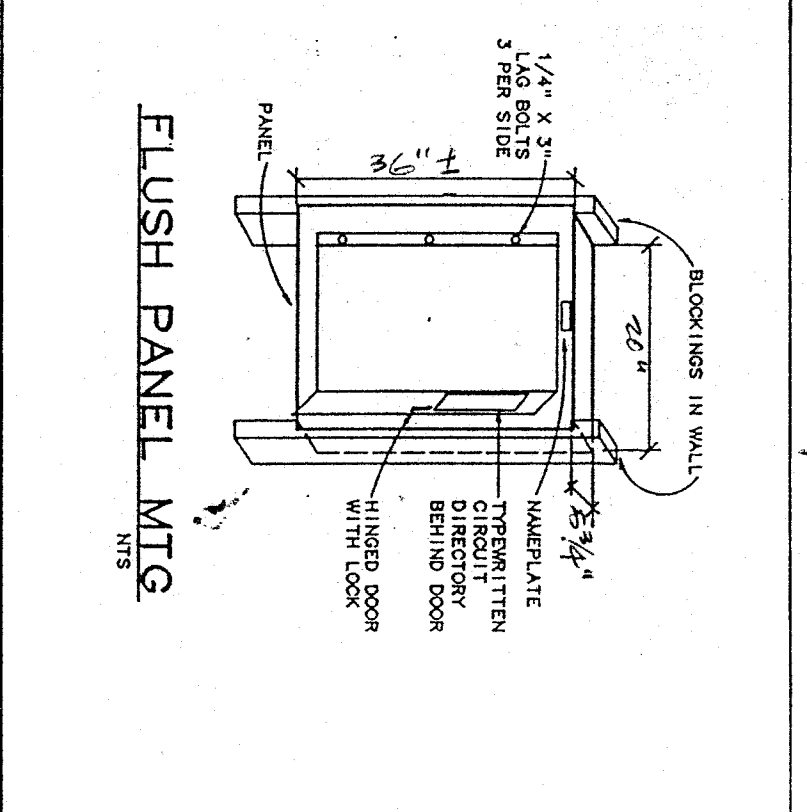
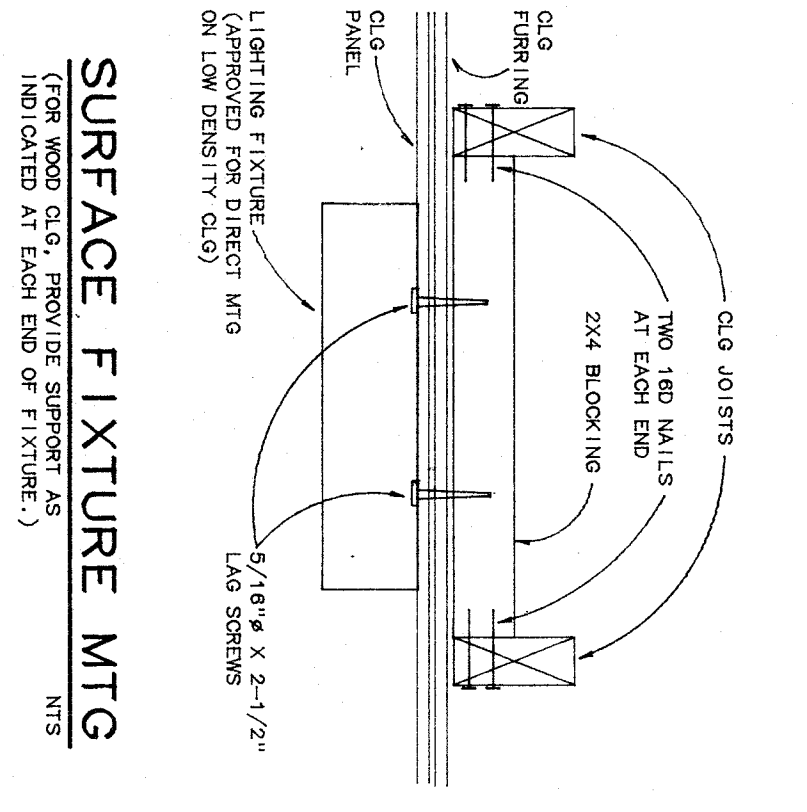
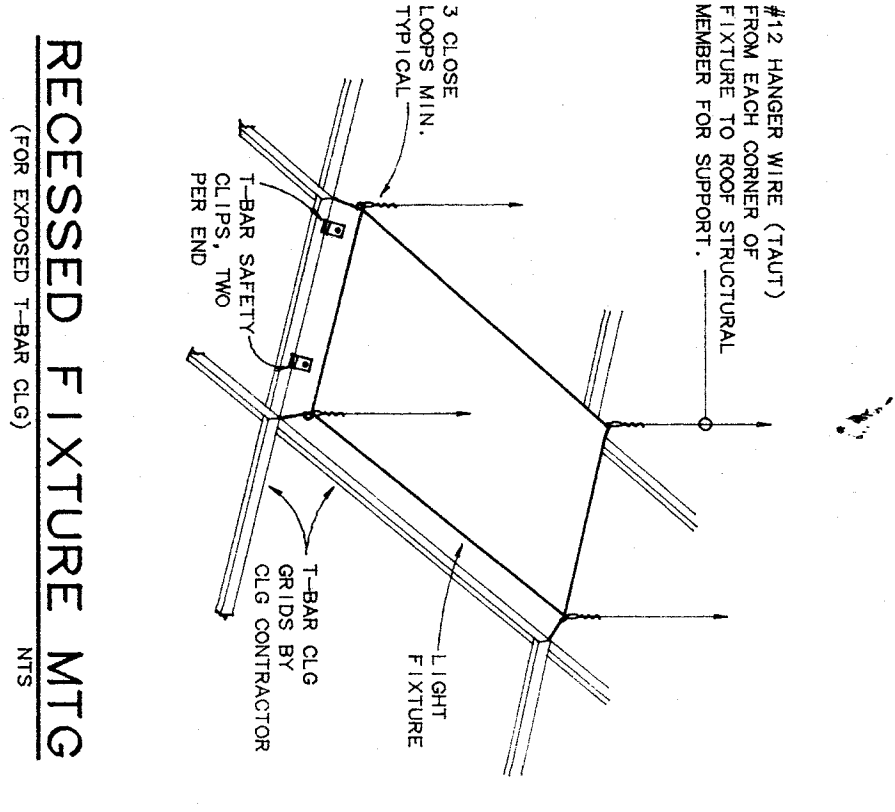
SYMBOLS, DETAILS, SCHEDULES
VISTA EAST CONTINUATION HIGH SCHOOL 30 YEAR MODERNIZATION
815 EUREKA STREET
KERN HIGH SCHOOL DISTRICT
KERN COUNTY, CALIFORNIA

CHECK AND VERIFY ALL DIMENSIONS BEFORE PROCEEDING WITH CONSTRUCTION TO THE ARCHITECT. ALL CONSTRUCTION SHALL CONFORM TO UBC.

Table with 2 columns: MARK DATE, REVISIONS. Contains revision entries with dates and descriptions.

JOB NO. 707
DRAWN: [Signature]
CHECKED: [Signature]
DATE: 6-14-20
OF 9 SHEETS

FIGURE SCHEDULE table with columns: FIGURE, UNIT, CATALOG NO., INFO, NOTES. Lists various lighting fixtures and their specifications.



- GENERAL ELECTRICAL NOTES: 1. ELECTRICAL CONTRACTOR SHALL REVIEW ARCHITECTURAL, MECHANICAL AND PLUMBING PLANS FOR WORK THAT MIGHT REQUIRE AND/OR AFFECT ELECTRICAL WORK. 2. WHERE NEW CEILING ARE TO BE INSTALLED, CONTRACTOR SHALL REMOVE ALL WORK AS REQUIRED AND AS DIRECTED BY ARCHITECT AND PROVIDE NEW CEILING WITH FINISH AS NOTED ON DRAWING. 3. WHERE EXISTING CEILING ARE TO BE REMOVED AND/OR FINISH, CONTRACTOR SHALL PROVIDE ALL WORK AS REQUIRED TO REMOVE AND RECONNECT ANY EXISTING ELECTRICAL ON CEILING FOR NEW WORK ON CEILING. 4. WHERE EXISTING WALLS ARE TO RECEIVE NEW WALL PANELS, COVERING AND/OR NEW FINISH, CONTRACTOR SHALL PROVIDE THE FOLLOWING WORK: a. REMOVE AND RECONNECT ANY EXISTING SURFACE MOUNTED ELECTRICAL NOT NOTED TO BE REMOVED. b. EXTEND EXISTING OUTLETS IN WALL USING NEW RINGS SO EDGE OF NEW RINGS WILL BE FLUSH WITH NEW FINISHED WALL SURFACE. PROVIDE NEW PLATES IF REQUIRED. c. WHERE EXISTING PANELS ARE NOTED TO BE REPLACED, CONTRACTOR SHALL REMOVE ALL WORK AS REQUIRED, CUT AND REMOVE EXISTING PANEL TO REVEAL ALL WORK AS NOTED ON DRAWING. PROVIDE ALL NEW WORK AS REQUIRED TO RECONNECT EXISTING CIRCUITS. d. WHERE EXISTING MECHANICAL AND PLUMBING EQUIPMENT ARE NOTED AND/OR NOTED ON MECHANICAL AND PLUMBING PLANS TO BE REMOVED, ELECTRICAL CONTRACTOR SHALL PROVIDE ALL DEMOLITION WORK ON EXISTING ELECTRICAL CONNECTIONS. e. NEW QUANTITY BATTERY OPERATED CLOCKS SHALL BE 12" ROUND SPACER MOUNTED CLOCKS WITH 1-1/2 HOUR BATT. NEW QUANTITY BATTERY OPERATED CLOCKS SHALL BE 12" ROUND SPACER MOUNTED CLOCKS WITH 1-1/2 HOUR BATT.

CODE, RULES & REGULATIONS
ALL JOB AND MATERIALS SHALL COMPLY WITH THE LATEST EDITIONS OF THE CALIFORNIA ELECTRICAL CODE, CALIFORNIA STATE ELECTRICAL CODE, AND STATE ORDINANCES. NOTHING SHALL BE CONSIDERED AS A VARIATION FROM THE CODE UNLESS SPECIFICALLY NOTED OTHERWISE ON THESE DRAWINGS. WHERE WORK SPECIFIC ORDINANCES THAT REQUIREMENT SHALL APPLY, SPECIFIC ORDINANCES SHALL REQUIREMENT SHALL APPLY.

SEISMIC REQUIREMENT
ALL ELECTRICAL EQUIPMENT SHALL BE ANCHORED OR BRACED TO EXISTING STRUCTURE IN ANY DIRECTION USING THE FOLLOWING CRITERIA:
FIXED EQUIPMENT ON GRADE: 50% OF OPERATING WEIGHT
FIXED EQUIPMENT ON STRUCTURE: 25% OF OPERATING WEIGHT
EMERGENCY POWER EQUIPMENT ON STRUCTURE: 100% OF OPERATING WEIGHT
FOR FIELD-BY MOUNTED EQUIPMENT, USE 3 X THE ABOVE VALUES.
SEISMIC BRACING SHALL BE 1/2 X THE ABOVE VALUES.
SEISMIC BRACING SHALL BE 1/2 X THE ABOVE VALUES.
INSTALLATION SHALL BE SUBJECT TO THE APPROVAL OF THE SEISMIC ENGINEER AND THE FIELD REPRESENTATIVE OF THE OFFICE OF THE ARCHITECT.

ELECTRICAL SYMBOLS (ALL DIMENSIONS TO CENTER OF BOX, U.O.N.)
Table listing symbols for various electrical components like switches, outlets, and lighting fixtures with their corresponding symbols and descriptions.