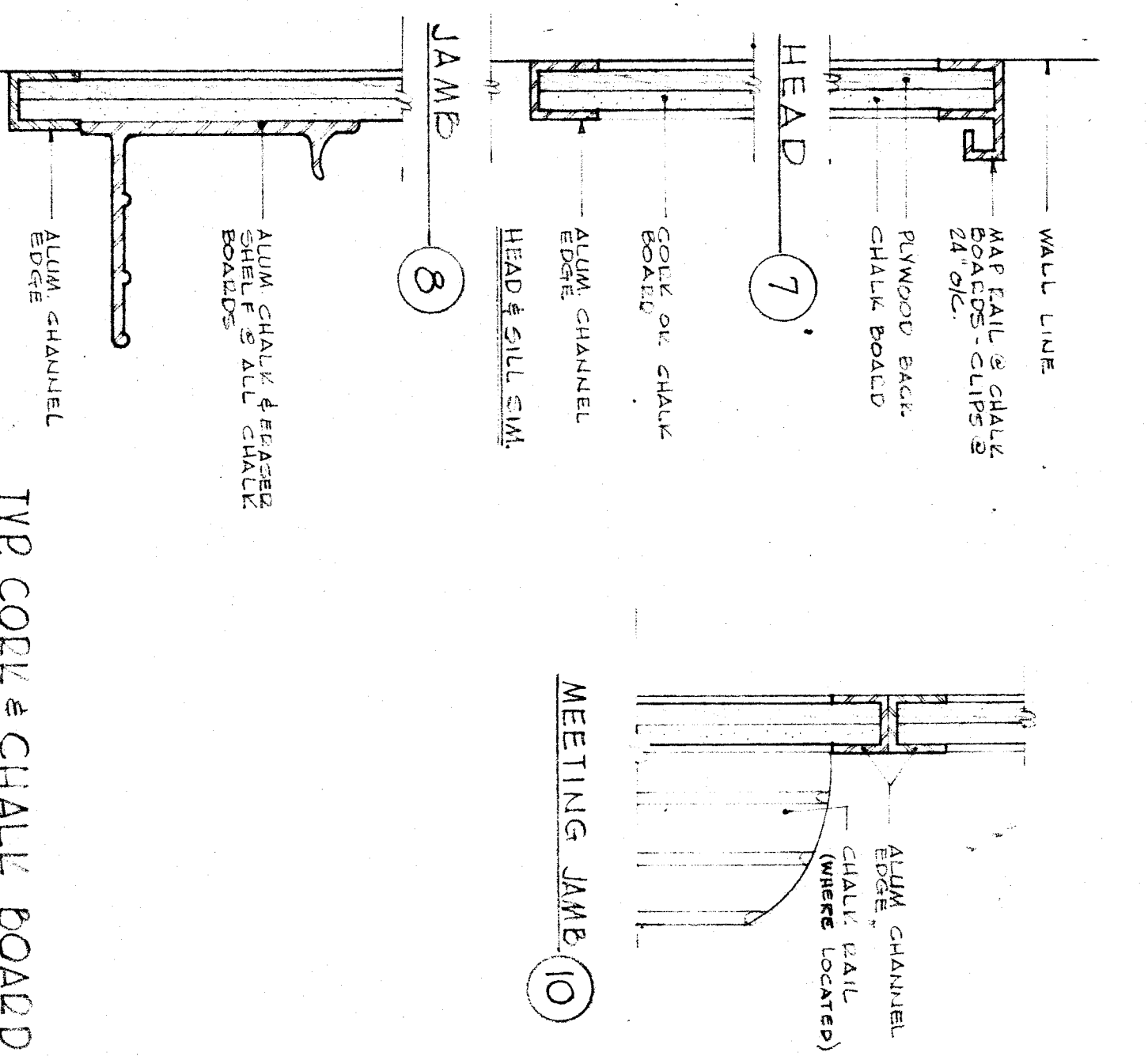
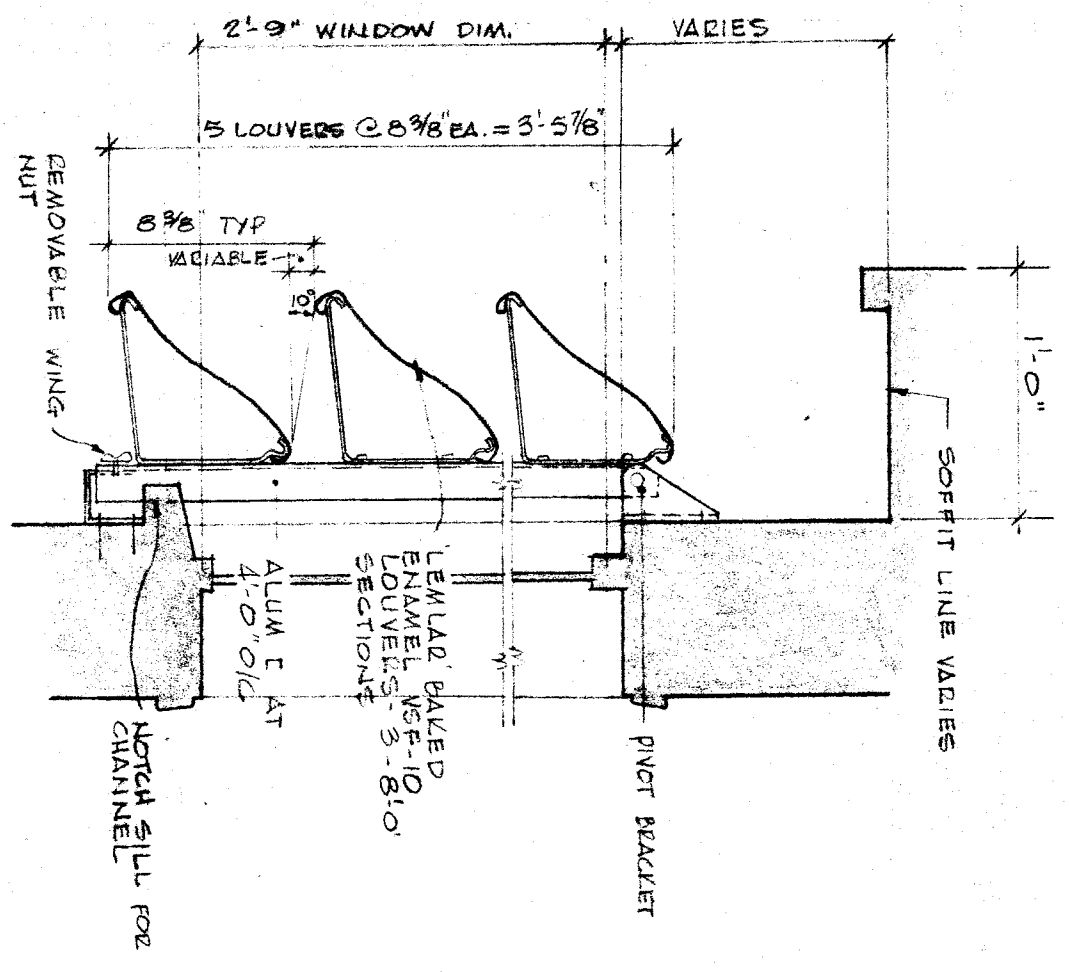


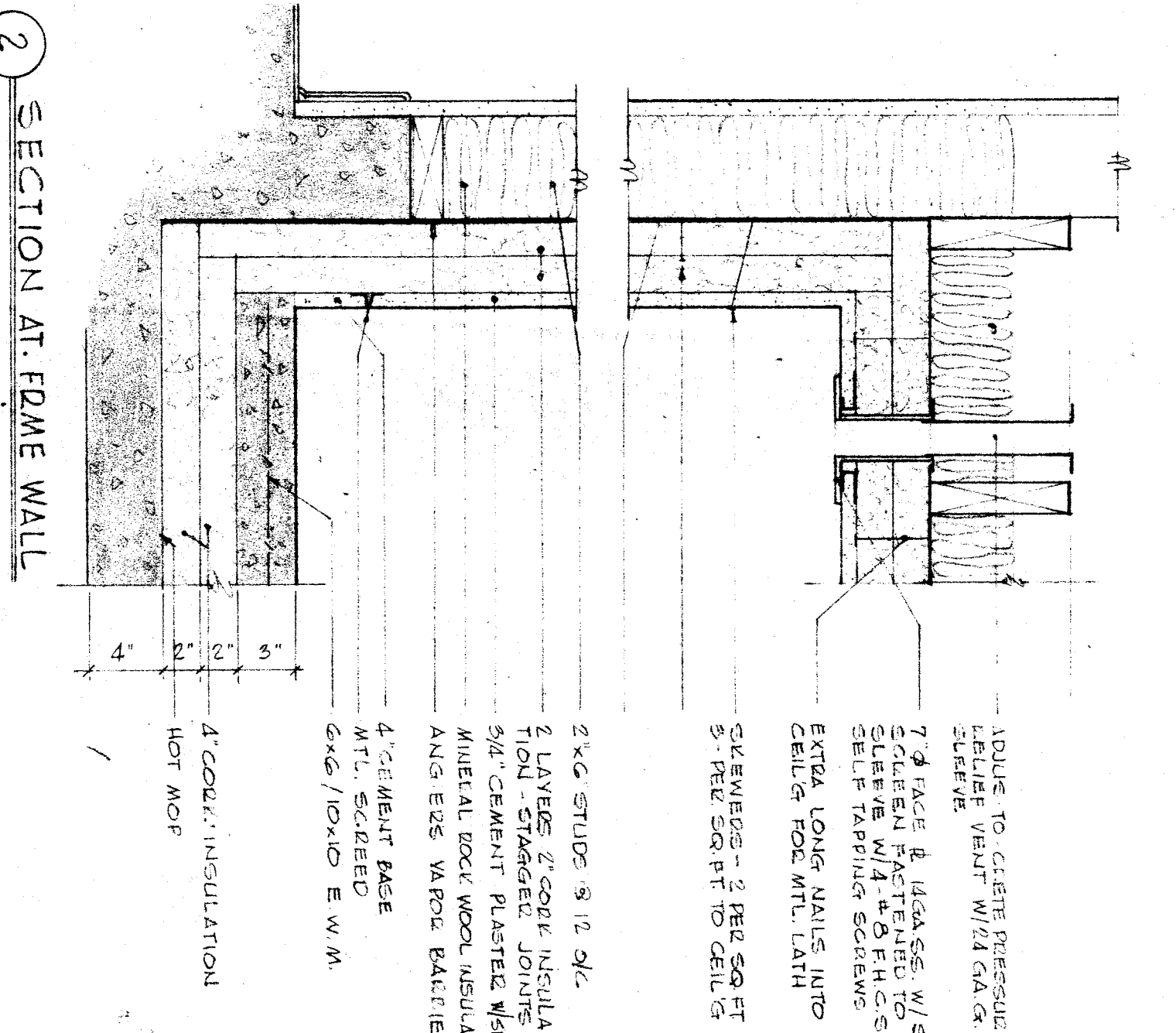
TYPICAL SKYDOME DETAIL 1



TYP COER & CHALK BOARDS

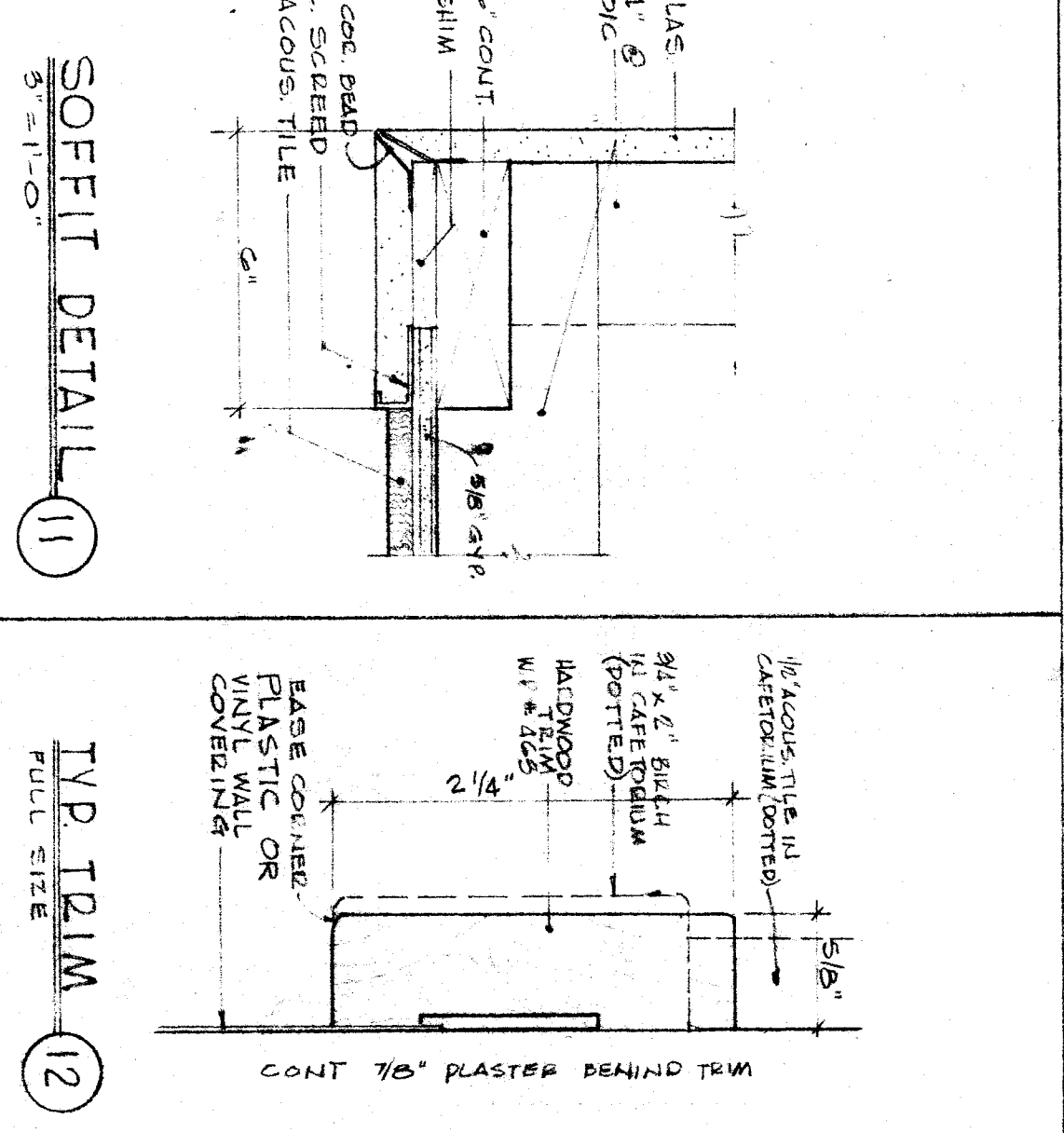


WINDOW LOUVER SECTION 14



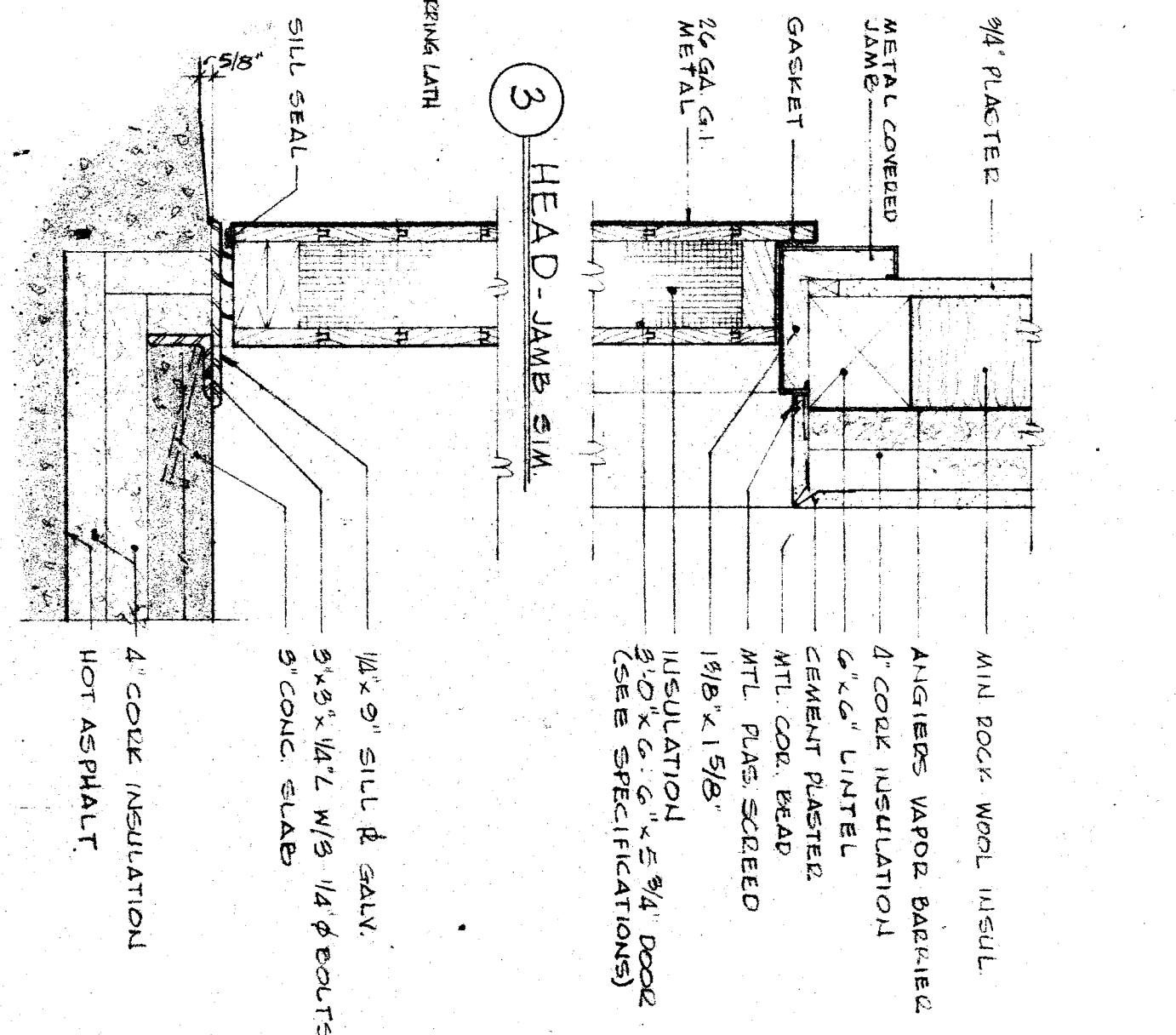
SECTION 2 AT FRAME WALL

WALK-IN BOX DETAILS



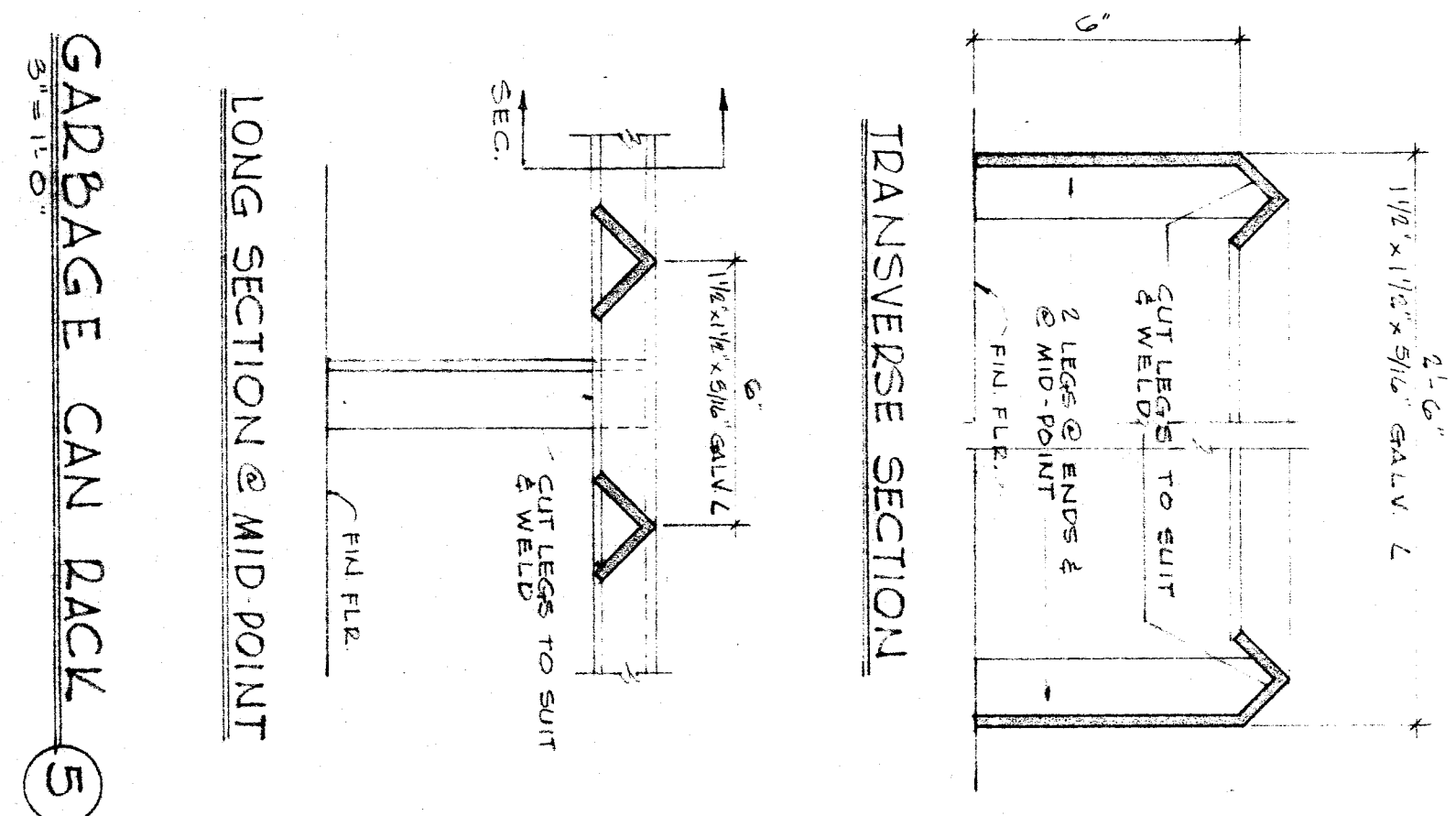
SOFFIT DETAIL 11

TYP. T.I.W.M. FULL SIZE



HEAD-JAMB S.I.M. 3

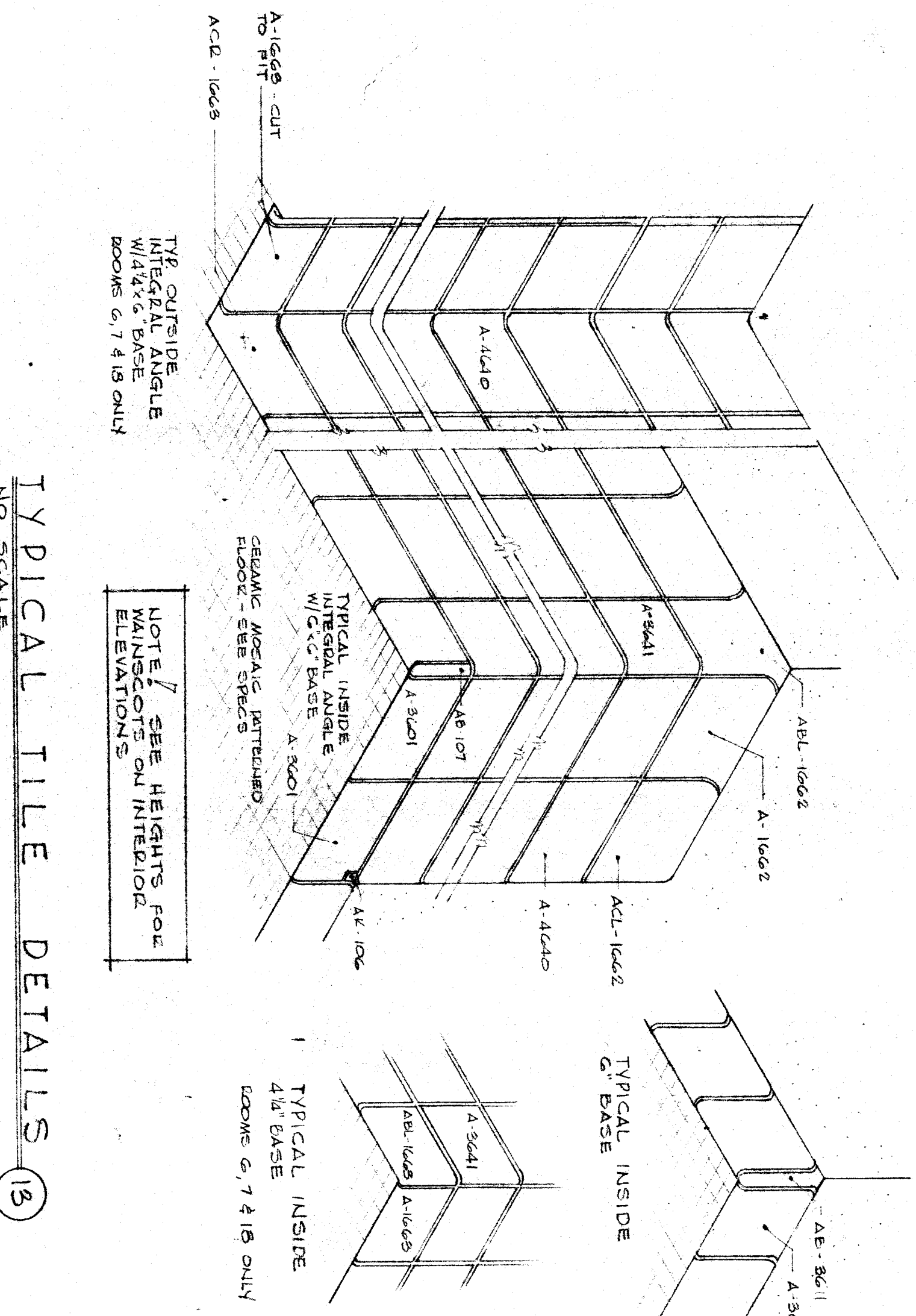
THRESHOLD 4



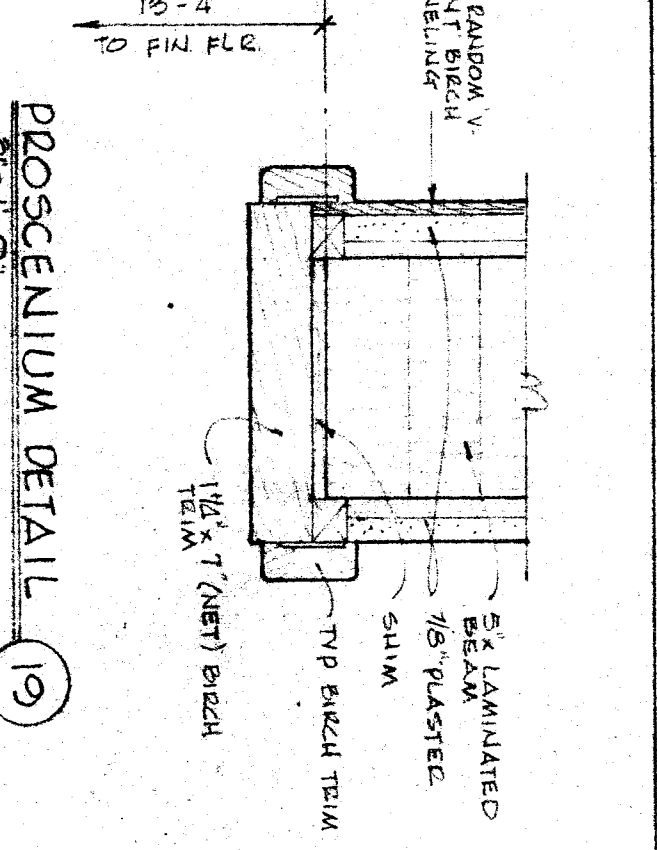
TRANSVERSE SECTION

LONG SECTION & MID POINT

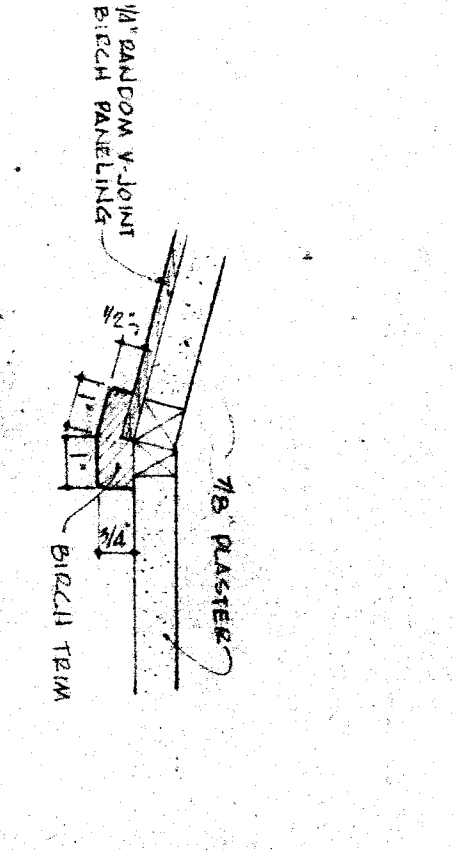
GARBAGE CAN RACK 5



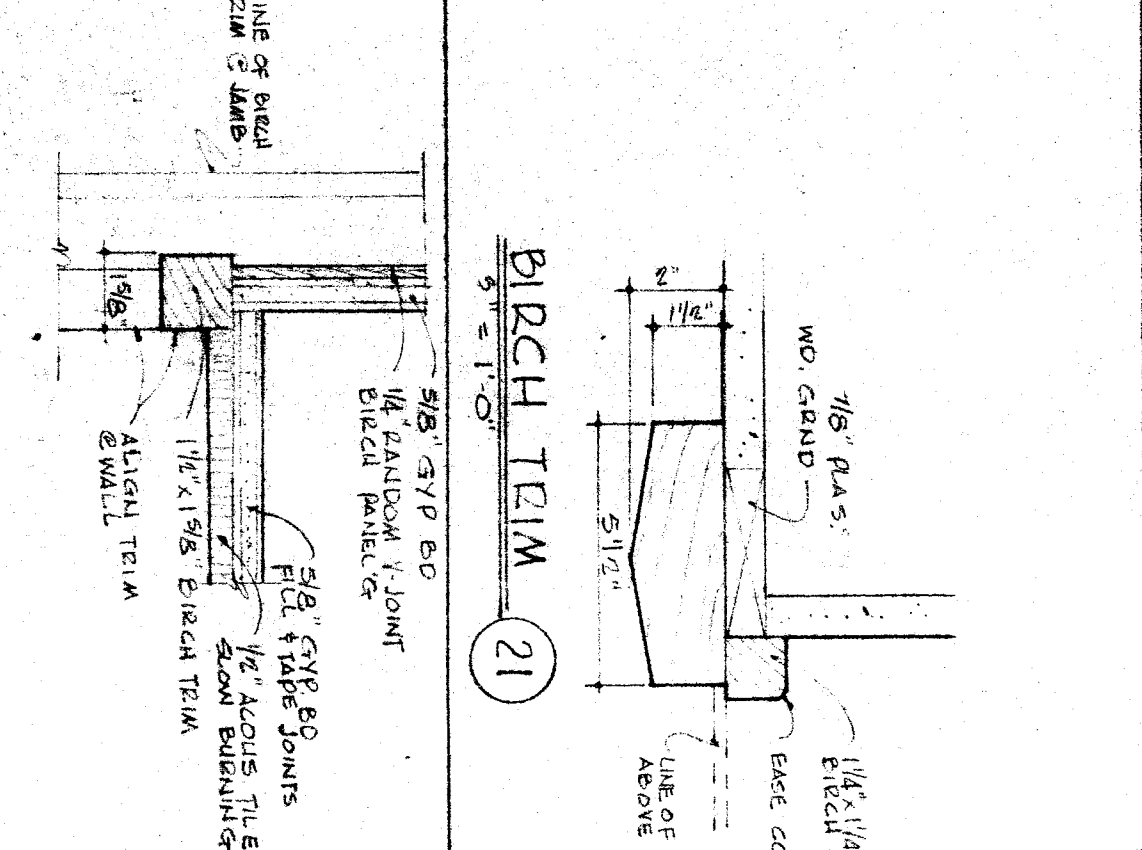
TYPICAL TILE DETAILS 18



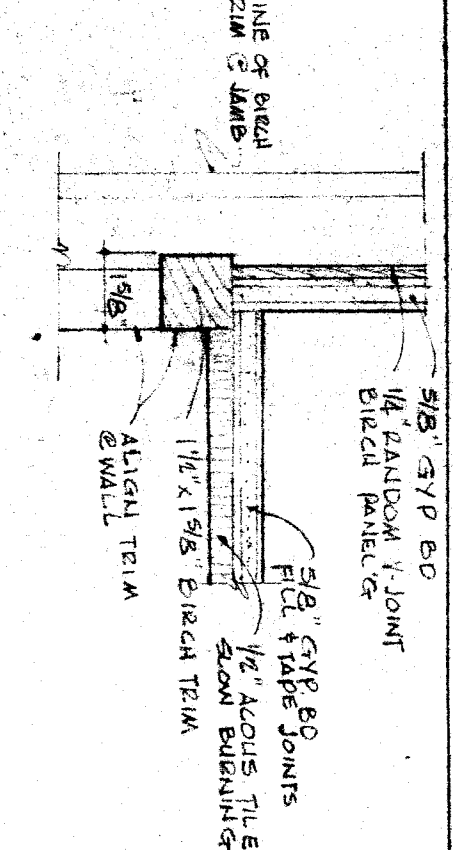
PROSCENIUM DETAIL 19



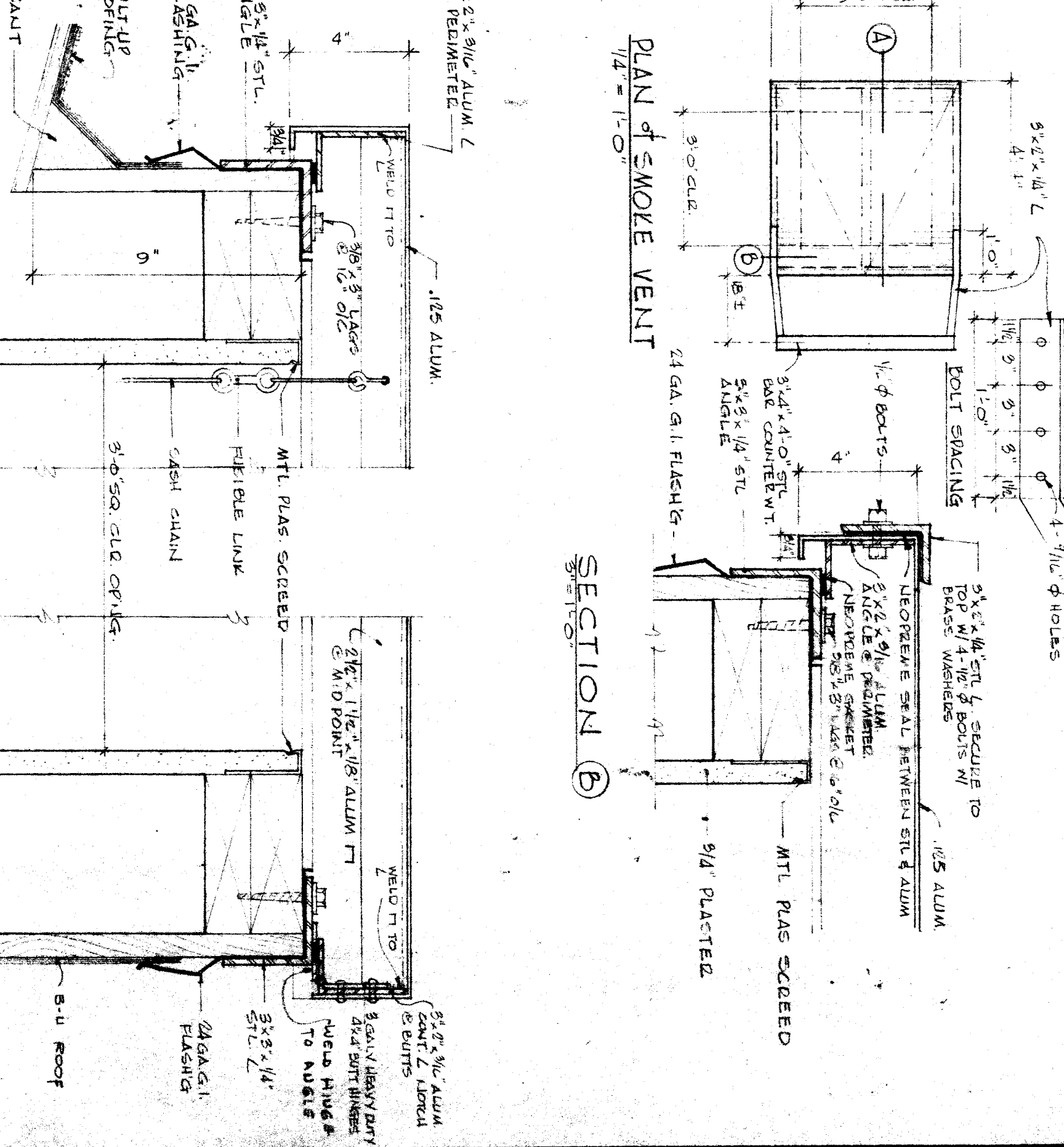
BIRCH MOULD 20



BIRCH T.I.W.M. 21

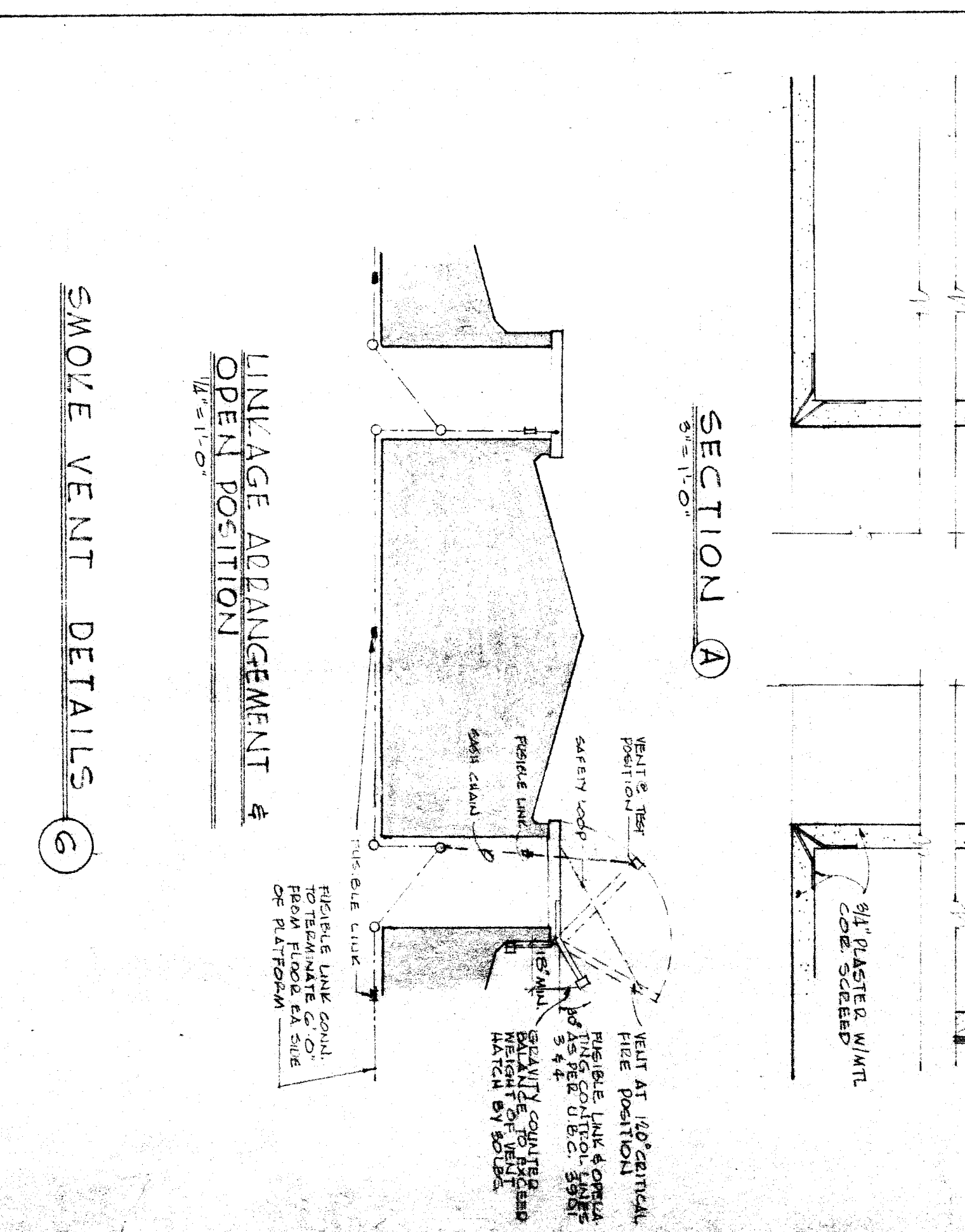


BIRCH T.I.W.M. 22

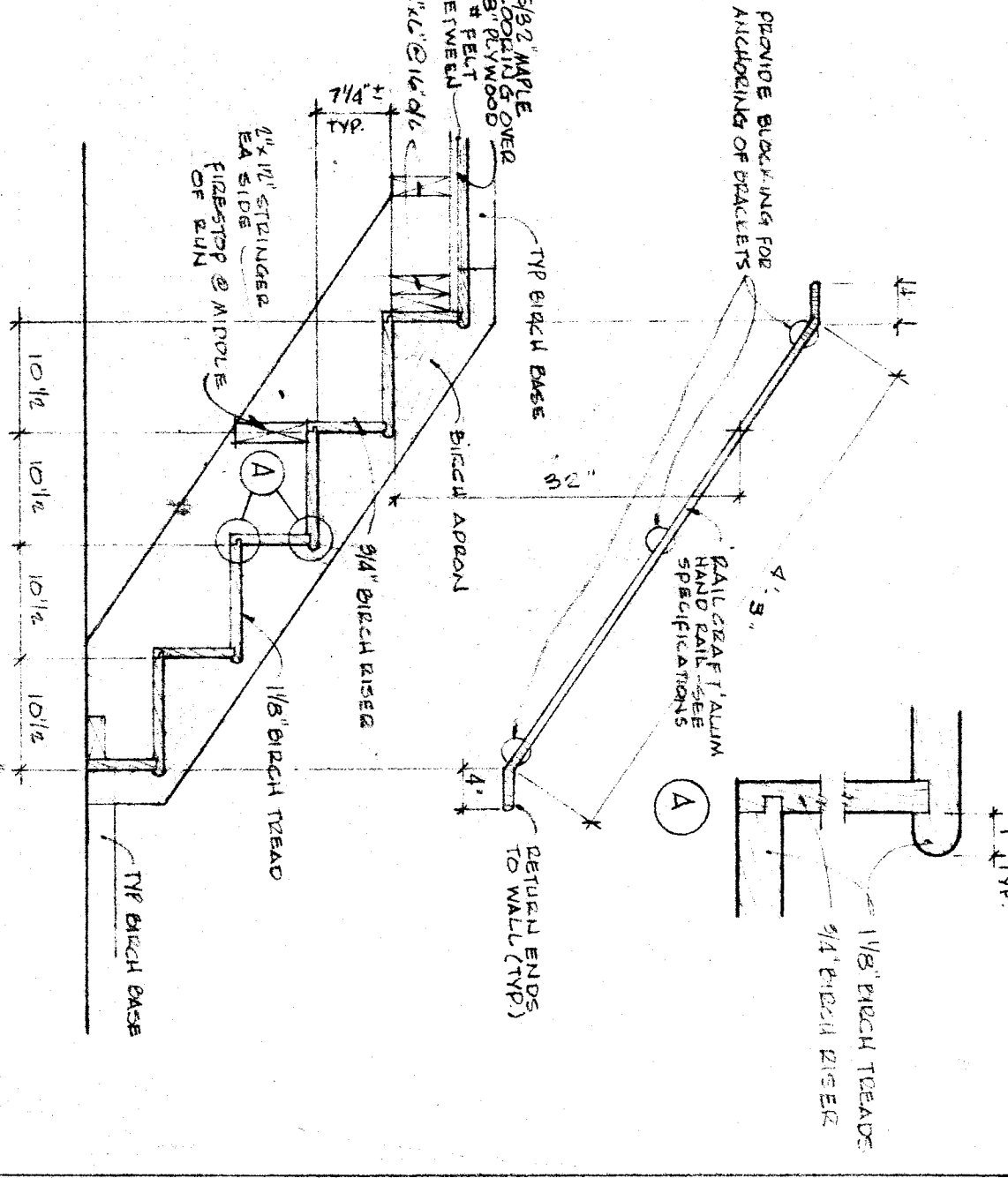


SECTION A

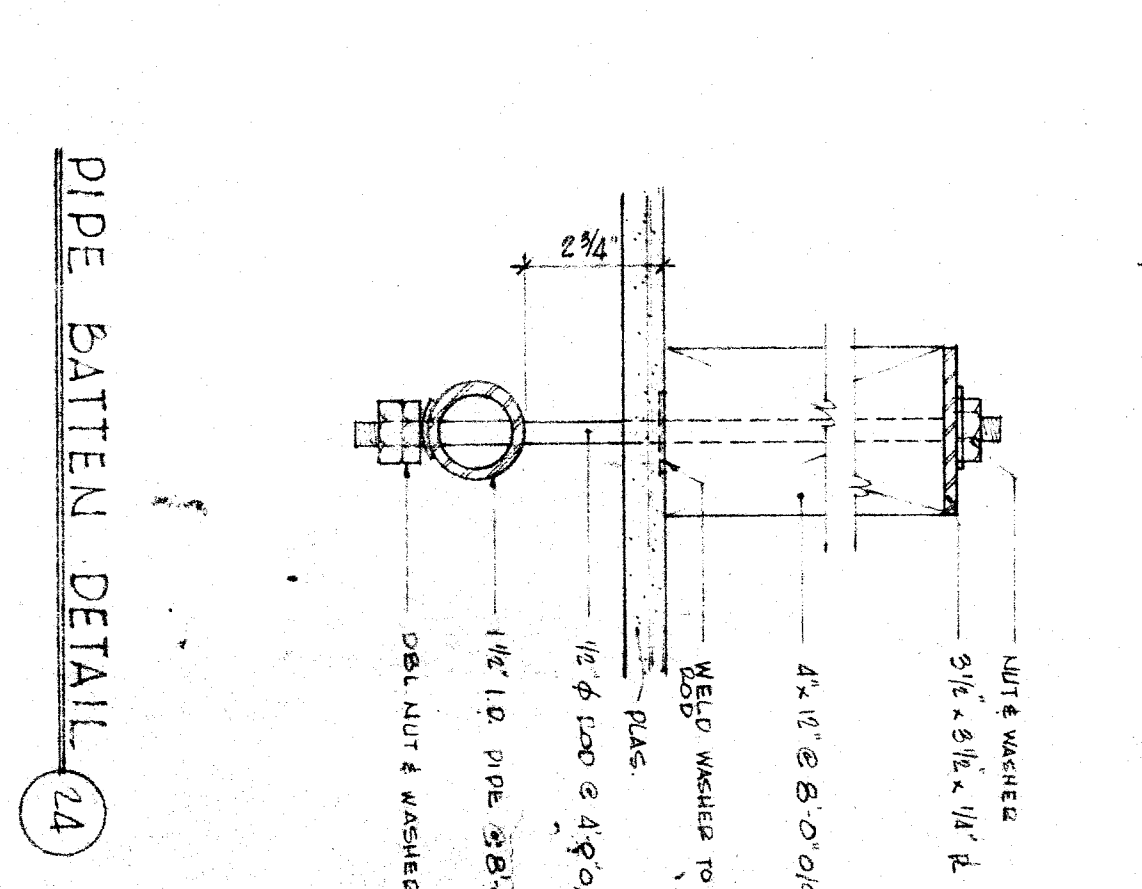
SECTION B



SMOKE VENT DETAILS C



PLATFORM STAIRS 25



PIPE BATTEN DETAIL 24

BAKERSFIELD CITY SCHOOL DISTRICT APPROVED BY: [Signature]

EDDY AND PAINTER ARCHITECTS A. I. A. 2901 H. Street Bakersfield, California FA. 59048

EDDY AND PAINTER ARCHITECTS A. I. A. 2901 H. Street Bakersfield, California FA. 59048

EDDY AND PAINTER ARCHITECTS A. I. A. 2901 H. Street Bakersfield, California FA. 59048

EDDY AND PAINTER ARCHITECTS A. I. A. 2901 H. Street Bakersfield, California FA. 59048