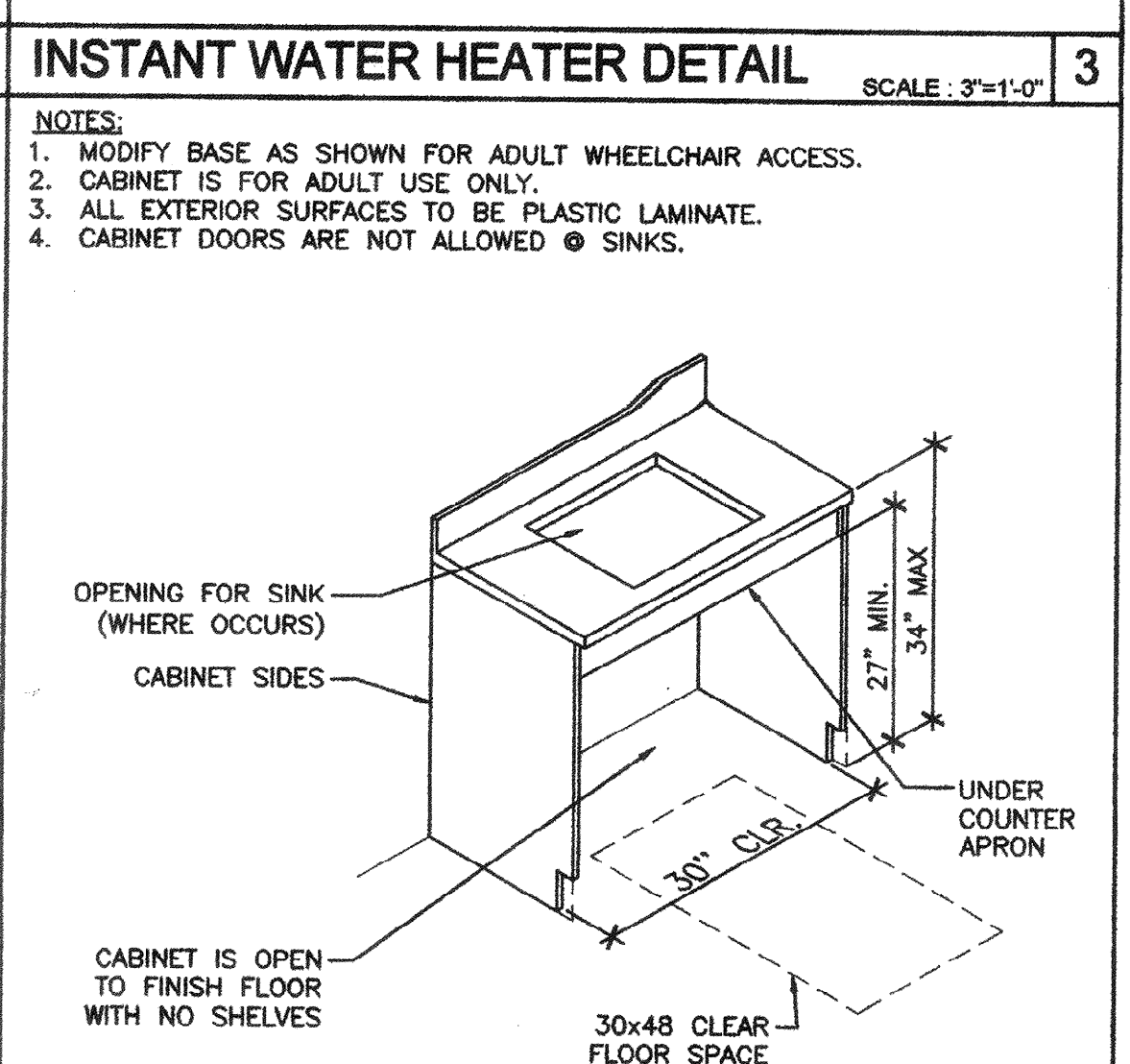
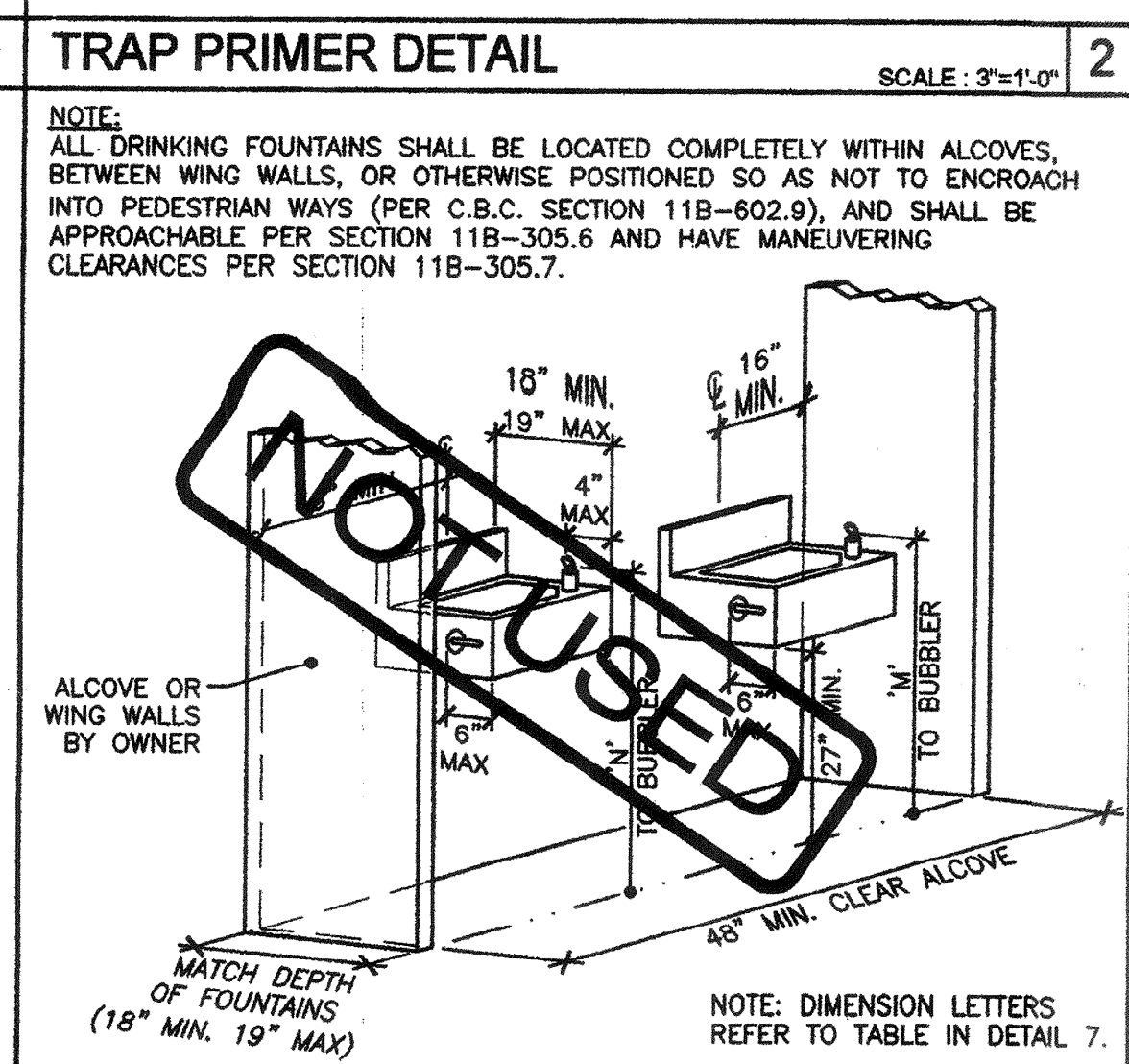
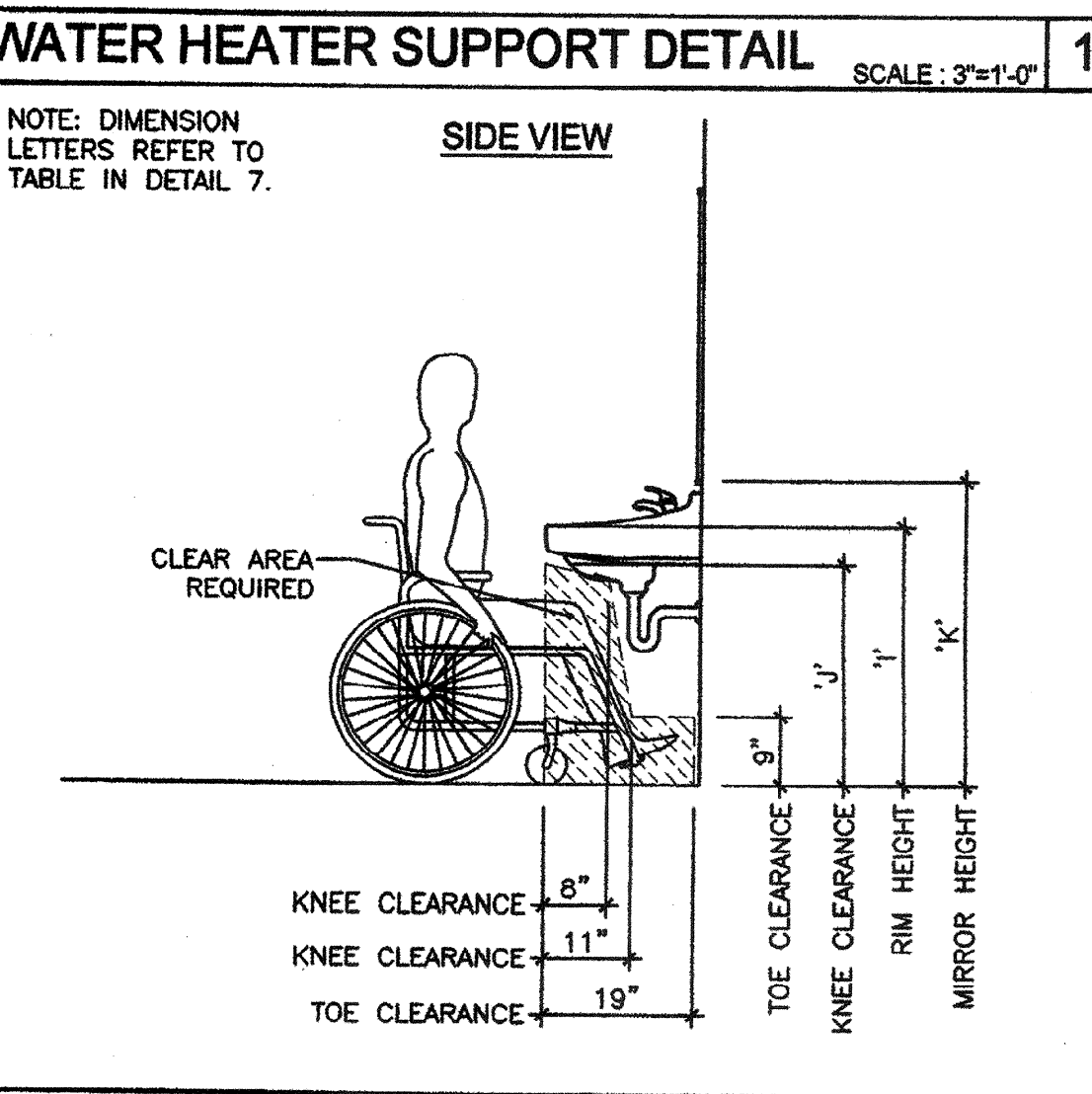
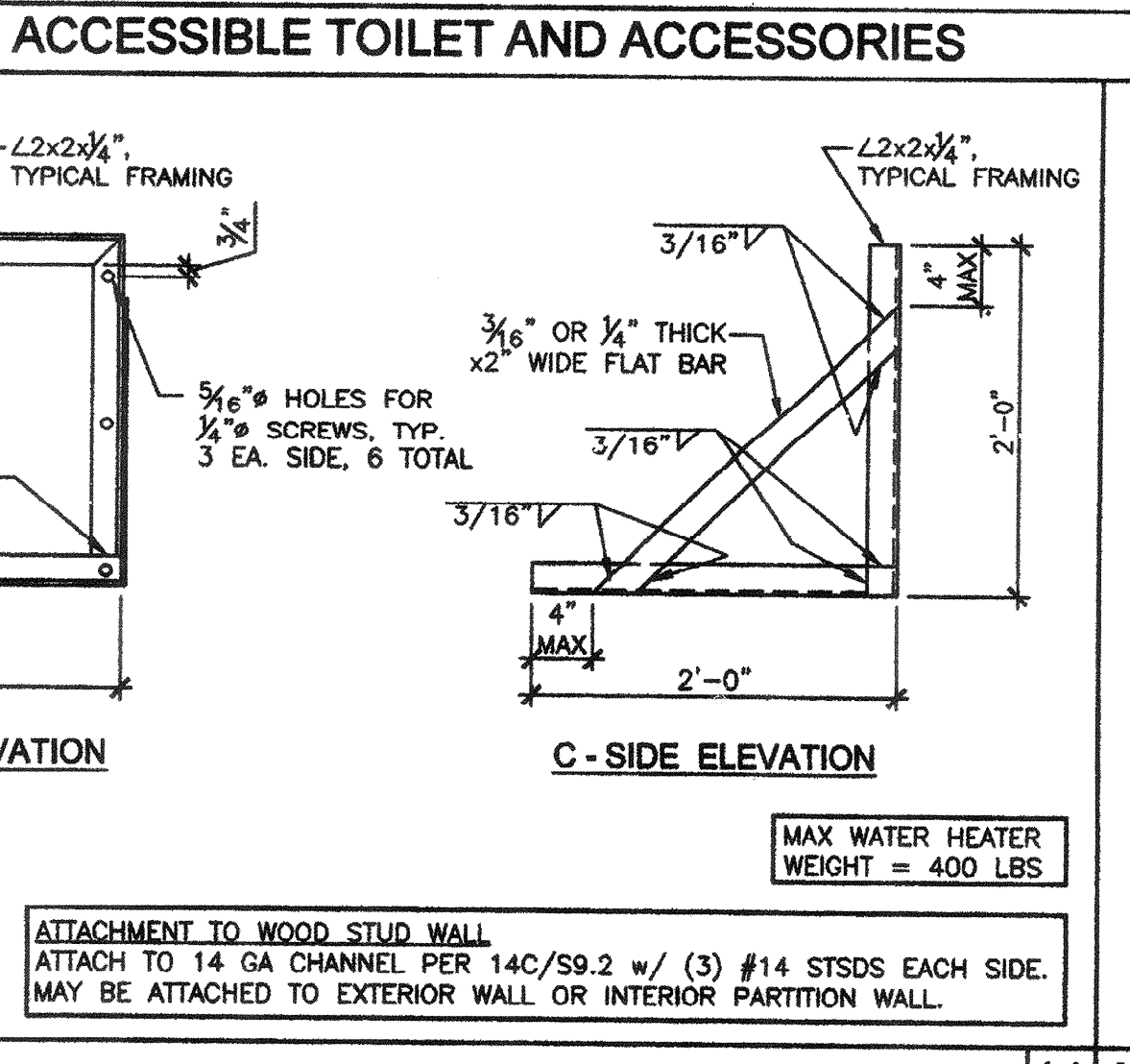
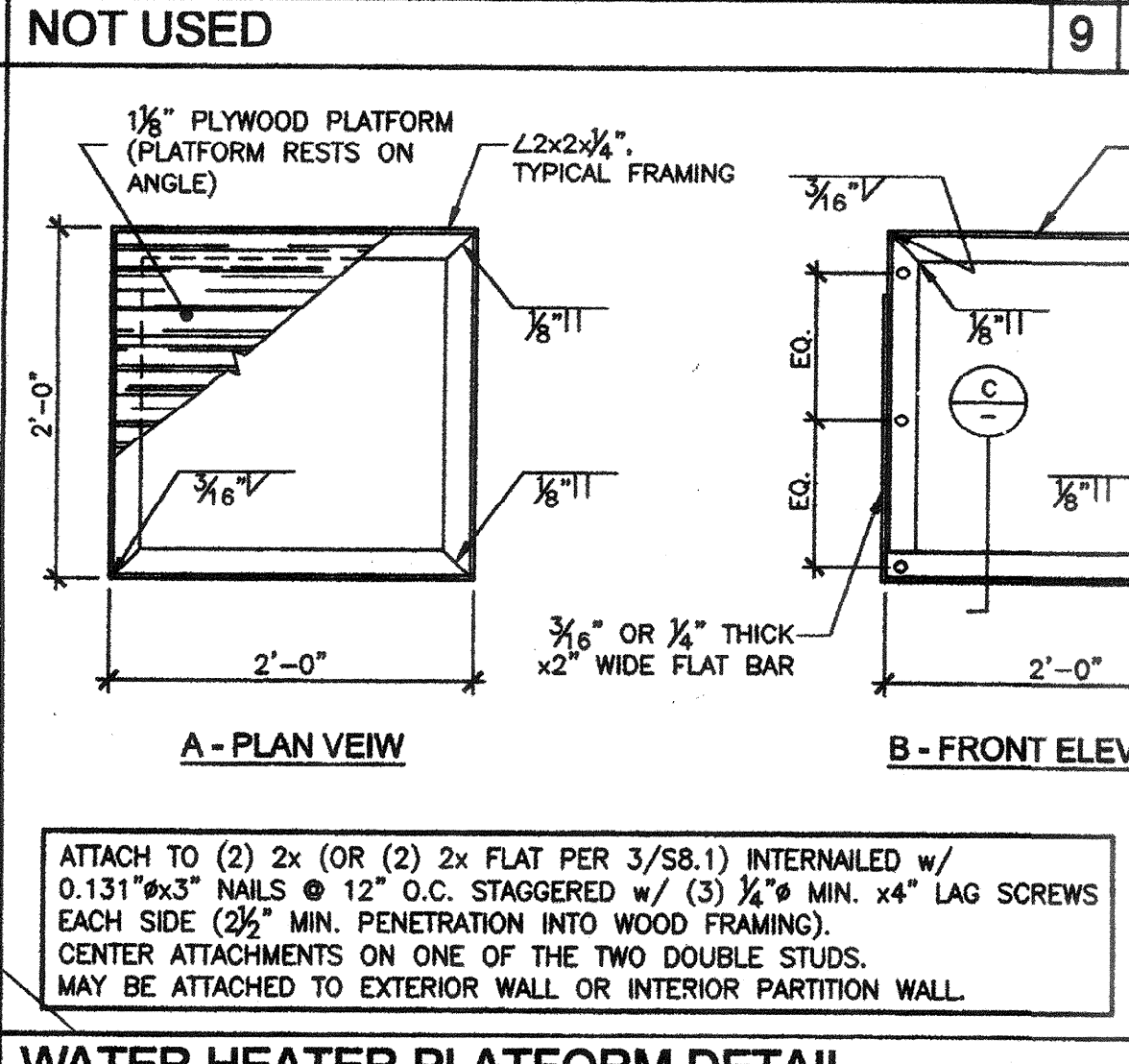
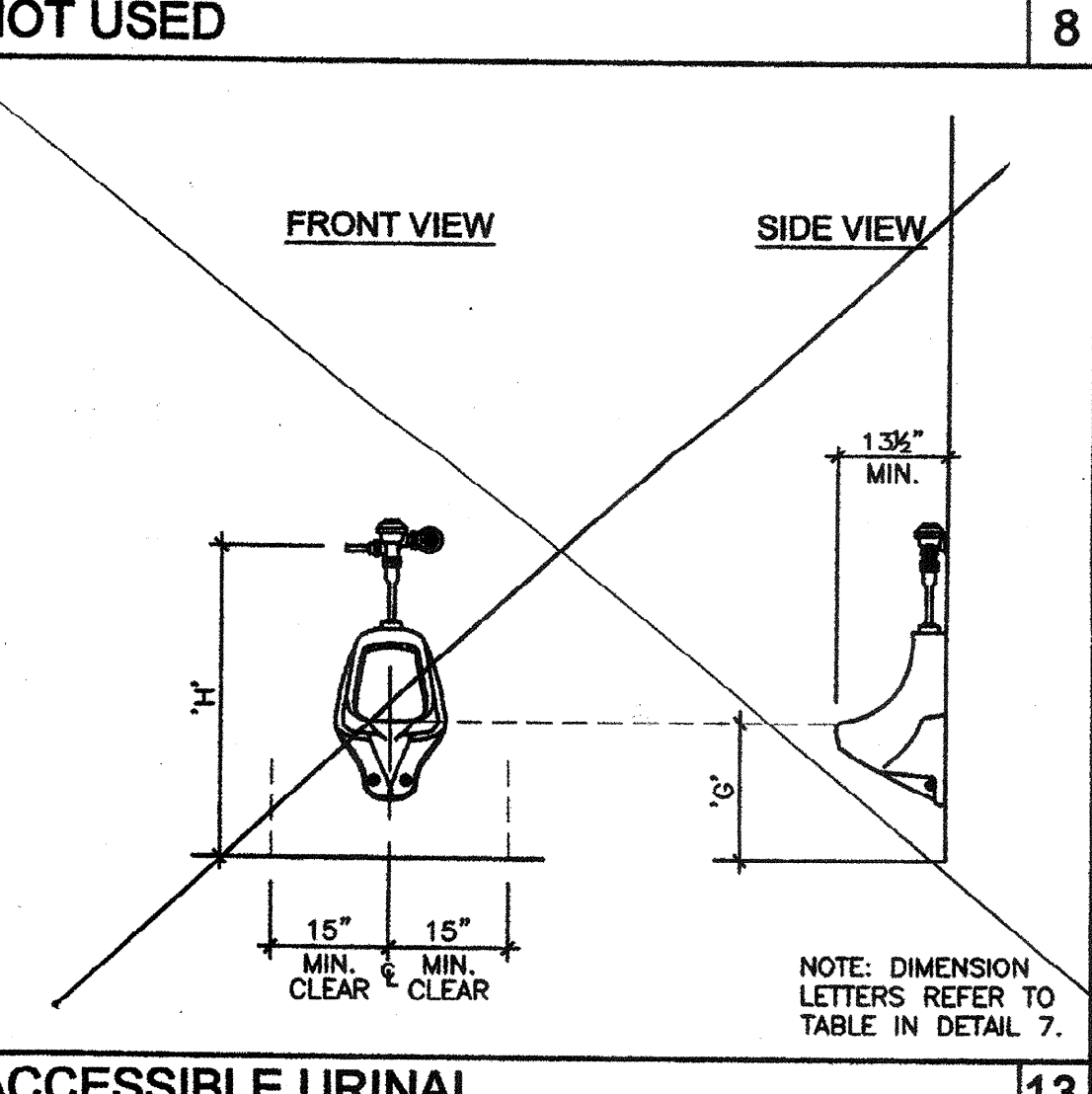
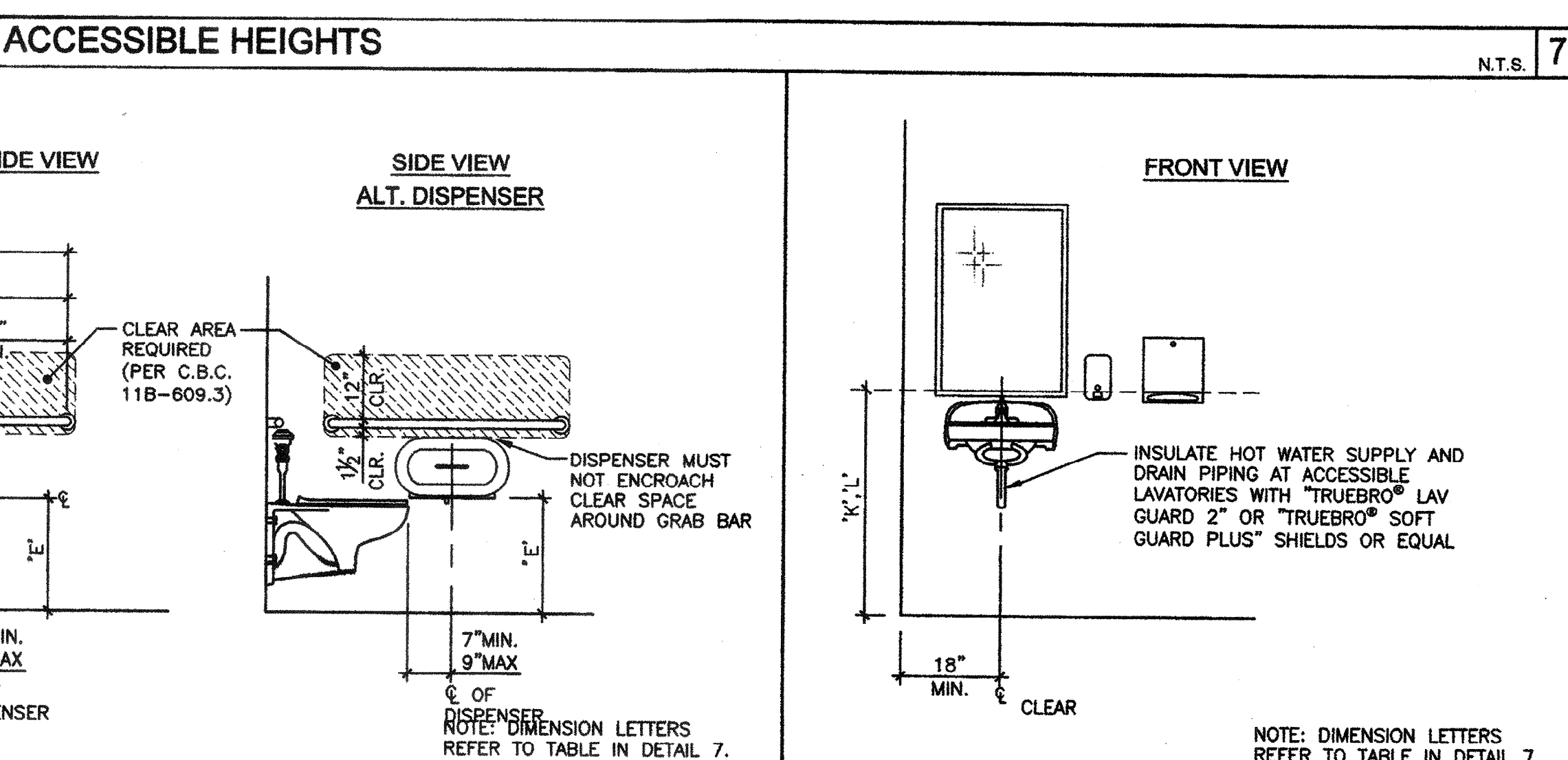
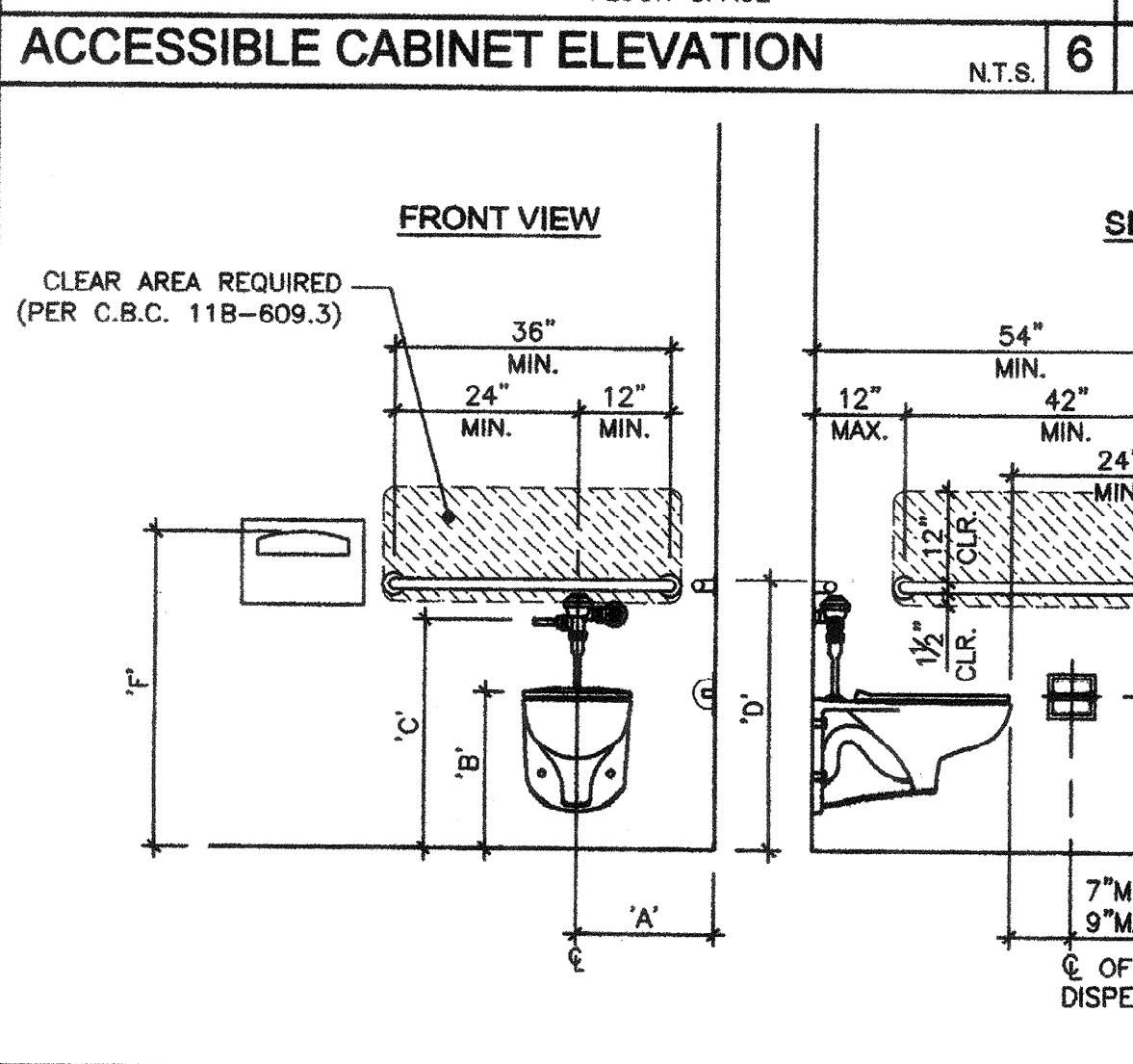
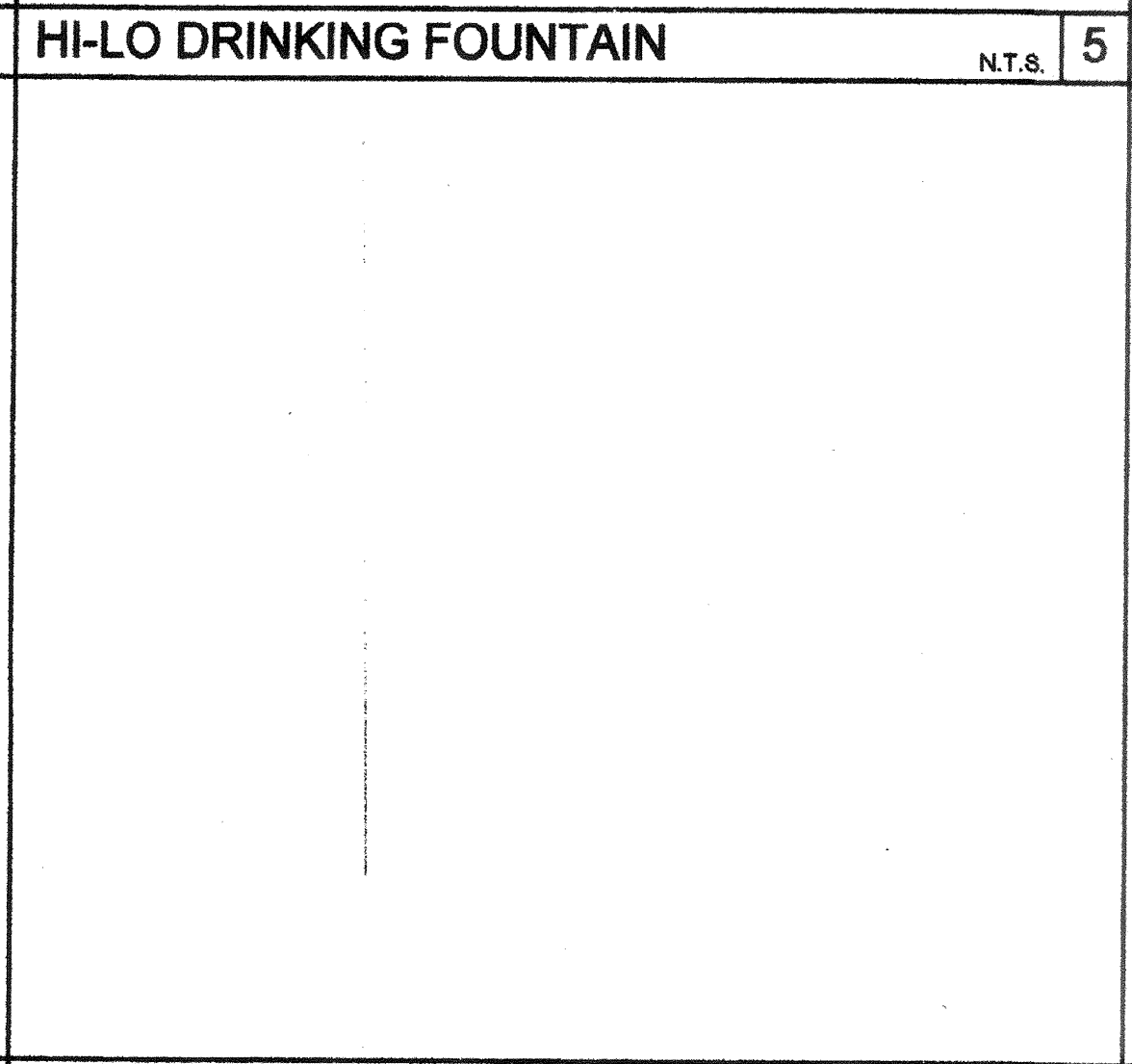
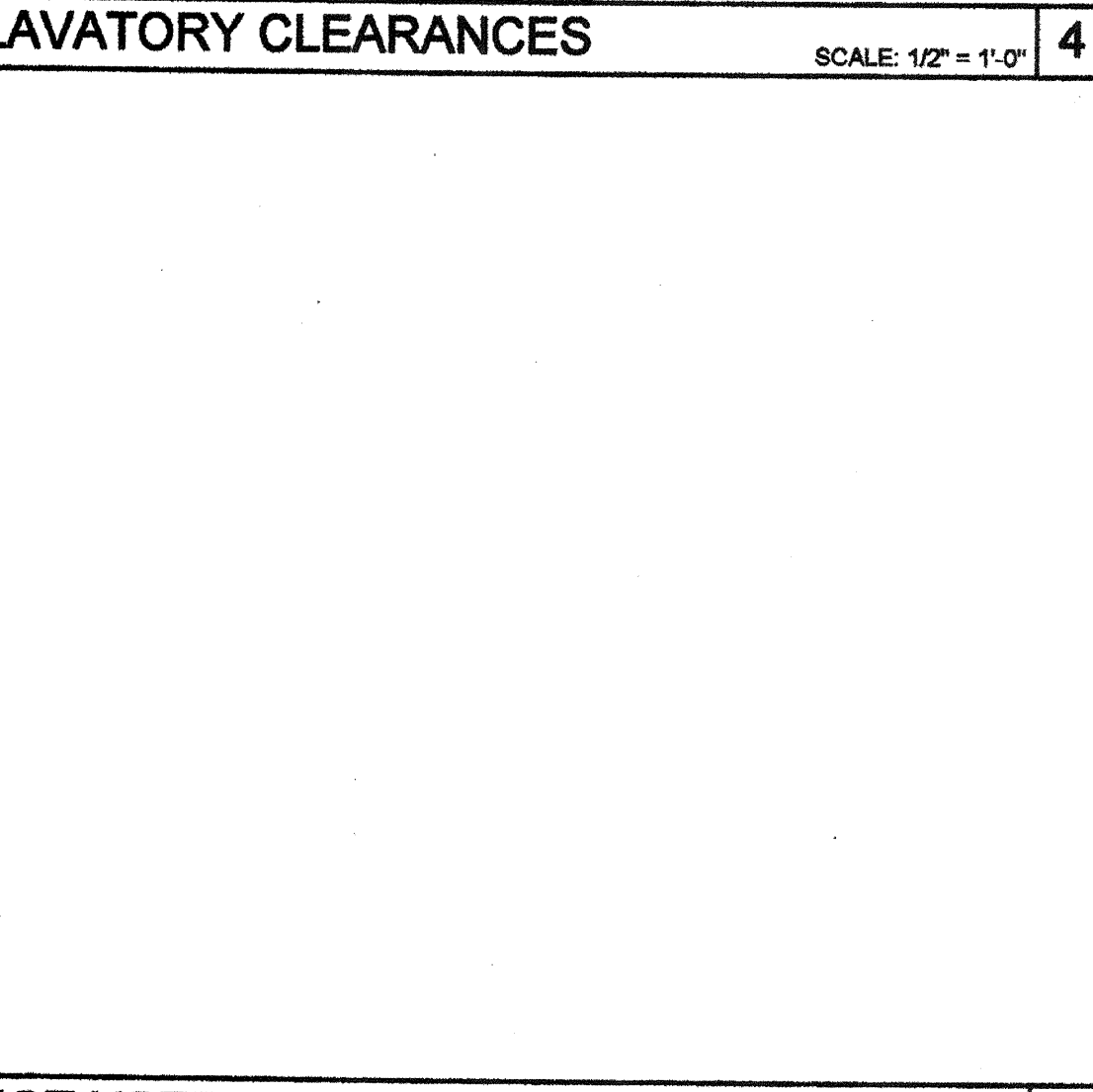


HEIGHTS FOR ACCESSIBLE FEATURES IN TOILET FACILITIES

FIXTURE & MEASUREMENT POINT	AGES 3-4	AGES 5-8	AGES 9-12	AGES 13-ADULT	NOTES
A TOILET, CENTERLINE FROM FACE OF WALL	12\"/>				
B TOILET, TOP OF SEAT HEIGHT	11\"/>				
C TOILET, TOP OF FLUSH CONTROLS	36\"/>				
D GRAB BAR, TOP OF BAR	16\"/>				
E TOILET PAPER DISPENSER, HEIGHT TO OUTLET	14\"/>				
F TOILET SEAT COVER, HEIGHT TO TOP OF OUTLET	24\"/>				
G URINAL, LIP HEIGHT	12\"/>				
H URINAL, HEIGHT OF FLUSH HANDLE	36\"/>				
I LAVATORY, HEIGHT TO HIGHEST POINT AT FRONT OF LAV. OR COUNTER	24\"/>				
J LAVATORY, VERTICAL KNEE CLEARANCE	24\"/>				
K MIRROR (ABOVE LAVATORY OR COUNTERTOP), LOWEST POINT OF REFLECTIVE SURFACE	24\"/>				
L DISPENSERS, DRYERS, HEIGHT TO TOP OF OUTLET, HANDLE OR OPERATING MECHANISM (WHICHEVER IS HIGHEST)	24\"/>				
M HI DRINKING FOUNTAIN, HEIGHT TO BUBBLER	24\"/>				
N HI DRINKING FOUNTAIN, HEIGHT TO BUBBLER	SAME AS ADULT				



NOTES:
 1. THIS TABLE AND RELATED DIAGRAMS ILLUSTRATE THE SPECIFIC REQUIREMENTS OF CALIF. TITLE 24 (2013 C.B.C. SECTION 11B-601) AND IS SHOWN HERE ONLY AS AN AID FOR CONSTRUCTION AND INSTALLATION.
 2. ACCESSORIES ARE NOT IN MANUFACTURER'S SCOPE OF WORK.
 3. DIMENSIONS GIVEN ARE FROM FINISH FLOOR, UNLESS OTHERWISE NOTED.
 4. NOT ALL ITEMS LISTED MAY OCCUR IN THE PROJECT.



GENERAL NOTES

- DWV PIPING SHALL BE ABS PLASTIC
- COLD WATER SUPPLY SHALL BE TYPE L COPPER
- MIN SLOPE 1/4\"/>



MODULAR MANUFACTURER PROPRIETARY STATEMENT
 THESE DRAWINGS AND THE MATERIAL CONTAINED THEREIN ARE THE PROPERTY OF AMERICAN MODULAR SYSTEMS, INC. (AMS) AND SHALL NOT BE REPRODUCED, COPIED OR OTHERWISE DISPOSED OF DIRECTLY OR INDIRECTLY AND SHALL NOT BE USED IN WHOLE OR IN PART TO ASSIST IN THE MAKING OF OR FOR THE PURPOSE OF FURNISHING ANY INFORMATION FOR THE MAKING OF DRAWINGS, PRINTS, APPARATUS OR PARTS THEREOF WITHOUT THE FULL KNOWLEDGE AND WRITTEN CONSENT OF AMS. ALL PATENTABLE MATERIAL CONTAINED HEREIN AND ORIGINATING WITH AMS SHALL BE THE SOLE PROPERTY OF AMS.

PRE-CHECKED SET NAME
24' x 40' THRU 120' x 40'
2:12 PITCHED ROOF

SHEET TITLE
PLUMBING DETAILS AND ACCESSIBLE DETAILS

MANUFACTURER PROFESSIONAL OF RECORD ON PC

AGENCY TRACKING NO. 63321-241
 FILE NO. 15-6
 IDENTIFICATION STAMP
 DIV. OF THE STATE ARCHITECT
 OFFICE OF REGULATION SERVICES
03-118380
 AG. REG. FLS. REG. SS. CL.
 DATE: OCT 25 2017

PROJECT SPECIFIC STATE AGENCY APPROVAL

ORIGINAL PC STATE AGENCY APPROVAL

PRE-CHECK (PC) DOCUMENT - CODE: 2013 CBC
 A SEPARATE PROJECT APPLICATION FOR CONSTRUCTION IS REQUIRED

REVISIONS

DRAWN BY:
 SCALE: AS NOTED
 DATE:
 SHEET NUMBER
P2.0