

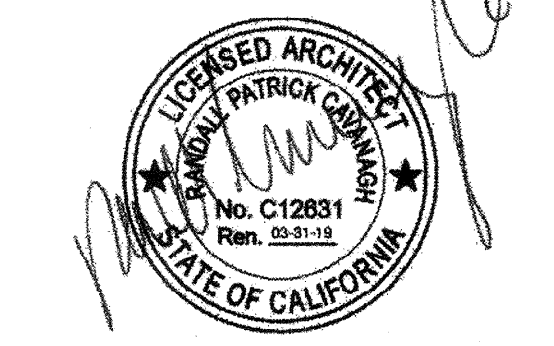
MODULAR MANUFACTURER PROPRIETARY STATEMENT
THESE DRAWINGS AND THE MATERIAL CONTAINED THEREIN ARE THE PROPERTY OF AMERICAN MODULAR SYSTEMS, INC. (AMS) AND SHALL NOT BE REPRODUCED, COPIED OR OTHERWISE DISPOSED OF DIRECTLY OR INDIRECTLY AND SHALL NOT BE USED IN WHOLE OR IN PART TO ASSIST IN THE MAKING OF OR FOR THE PURPOSE OF FURNISHING ANY INFORMATION FOR THE MAKING OF DRAWINGS, PRINTS, APPARATUS OR PARTS THEREOF WITHOUT THE FULL KNOWLEDGE AND WRITTEN CONSENT OF AMS. ALL PATENTABLE MATERIAL CONTAINED HEREIN AND ORIGINATING WITH AMS SHALL BE THE SOLE PROPERTY OF AMS.

PRE-CHECKED SET NAME
24' x 40' THRU 120' x 40'
2:12 PITCHED ROOF

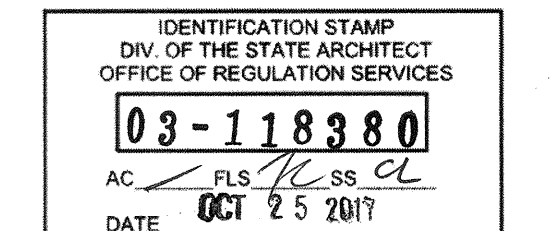
SITE SPECIFIC PROJECT NAME
STOCKPILE
(1) 60x40 BUILDING
(1) 72x40 BUILDING

SHEET TITLE
60'x40' & 72'x40'
ELECTRICAL PLAN

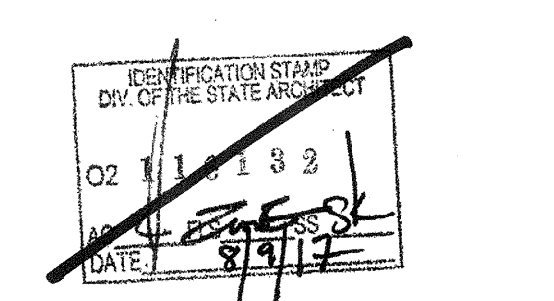
MANUFACTURER PROFESSIONAL OF RECORD ON PC



AGENCY TRACKING NO. 53321-241
FILE NO. 15-6



PROJECT SPECIFIC STATE AGENCY APPROVAL



ORIGINAL PC STATE AGENCY APPROVAL

BASED ON PC #02-113939
PRE-CHECK (PC) DOCUMENT - CODE: 2013 CBC
A SEPARATE PROJECT APPLICATION FOR CONSTRUCTION IS REQUIRED

REVISIONS	

DRAWN BY: BA
SCALE: AS NOTED
DATE: 04/27/17
SHEET NUMBER

E1.0B

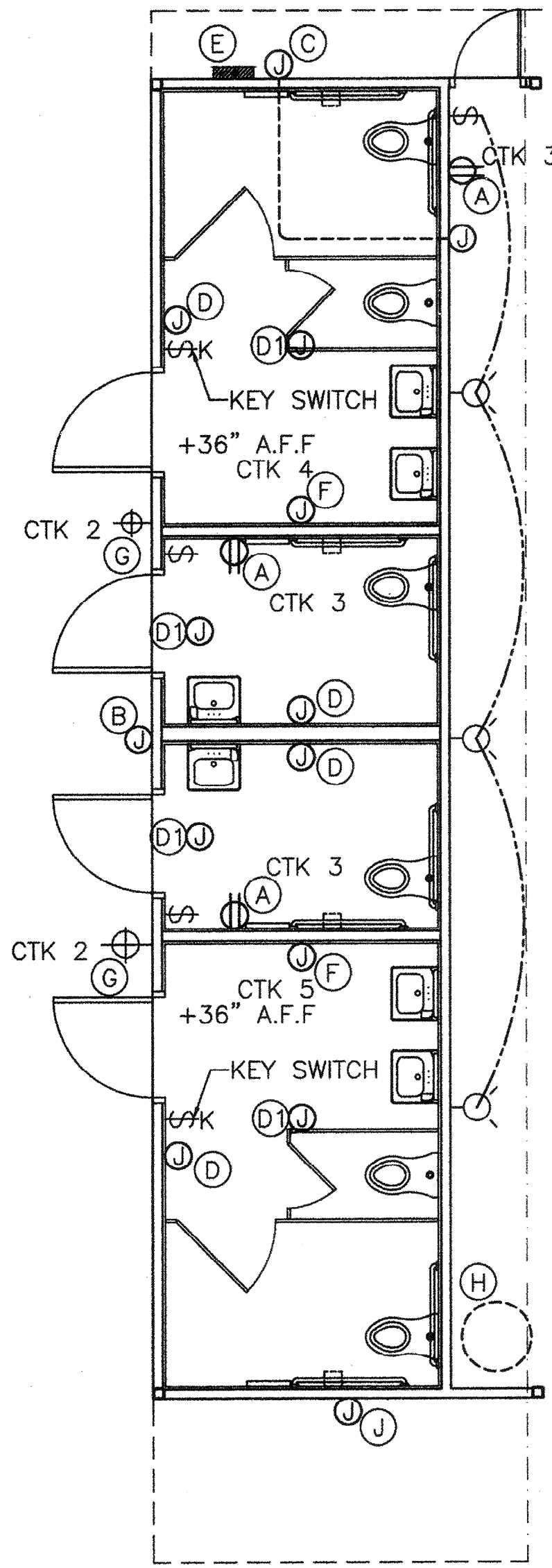
1. F.A.: STUB-UP ALL FIRE ALARM JUNCTION BOXES TO ACCESSIBLE ATTIC SPACE WITH 1/2" MIN. GALV. THIN WALL TUBING (EMT). DO NOT CONNECT FIRE ALARM CONDUIT WITH ANY OTHER ELECTRICAL CONDUIT.
2. IF OPTIONAL DOOR OCCURS, A PULL STATION J-BOX AND EXIT SIGN ARE REQUIRED. PULL STATIONS ARE REQUIRED AT EVERY EXIT.
3. STUB OUT LOCATIONS FOR ELECTRICAL PANEL, FIRE ALARM, AND DATA BOXES SHOWN ARE DIAGRAMMATICAL ONLY. EXACT LOCATIONS MAY VARY +/- SEVERAL FEET. PLEASE CONTACT AMERICAN MODULAR SYSTEMS FOR EXACT LOCATIONS. POINT OF CONNECTION WILL BE AT FACE OF BUILDING.
4. SEE TYPICAL CLASSROOM LAYOUT FOR LOCATIONS OF ALL DEVICES. FIXTURE MOUNTING SHALL COMPLY WITH CALIFORNIA SEISMIC REGULATIONS.
5. THE LIGHTS FOR EACH ROOM OVER 250' SQ FT SHALL BE CONTROLLED BY ULTRASONIC OCCUPANCY SENSOR--WATT STOPPER W-500A, W-1000A, OR W-2000A (OR EQUAL) BASED ON THE ROOM SIZE, IN CONJUNCTION WITH BI-LEVEL SWITCHING.

- NOTES
- A. THE PROJECT ARCHITECT SHALL BE RESPONSIBLE FOR THE PLACEMENT OF HEAT, SMOKE DETECTORS, EVACS AND PULL STATIONS AND COMPLETE FIRE ALARM SYSTEM WHEN THE SITE SPECIFIC PROJECT IS REQUIRED TO MEET THE PROVISIONS OF SB 575 & CBC 907.2.3.
 - B. AT ANY SPACE REQUIRING 2 OR MORE EXITS PROVIDE EXIT SIGNS (CBC 1011) AND EMERGENCY EXIT ILLUMINATION (CBC 1006).
 - C. ANY MONITORING EQUIPMENT OR ASSOCIATED SENSORS ARE SITE SPECIFIC AND ARE NOT INCLUDED IN THIS BASE PC.
 - D. LIGHTING FIXTURES MAY BE INSTALLED ROTATED 90° FROM SHOWN TO MATCH T-BAR GRID LAYOUT.

GENERAL NOTES

NOT USED

- PROVIDE 1" CONDUIT TO FROM ATTIC TO 6" BELOW HEADER. SWEEP THROUGH KING STUD AND TRIMMER INTO VOID AREA OF DOOR JAMB FOR FUTURE DOOR LOCK CONTROLS. PROVIDE SLIGHT TURN DOWN ONCE INTO JAMB AREA.
- PROVIDE SURGE PROTECTED DUPLEX OUTLET FOR FUTURE IDF CABINET. LOCATE AS INDICATED ON PLAN. PROVIDE CIRCUIT IN ELECTRICAL PANEL AS INDICATED ON PLAN.
- J-BOX ONLY (HORN/SROBE) - INSTALL 4" SQ. J-BOX (4" SQ. x 2-1/8" DEEP) AT +80" FROM FLOOR. 3/4" CONDUIT STUBBED ABOVE CEILING. BOX SHALL BE MOUNTED FLUSH WITH INTERIOR WALL FINISH.
- J-BOX ONLY (SMOKE DETECTOR) - INSTALL 4S BOX WITH 3/0 PLASTER RING FLUSH WITH T-BAR CEILING SURFACE. (INSTALL PER DSA APPROVED PC PLANS)
- J-BOX ONLY (EXTERIOR FIRE HORN/SPEAKER) - INSTALL 4" SQ. J-BOX (4" SQ. x 2-1/8" DEEP) AT +90" FROM FLOOR. 3/4" CONDUIT STUBBED ABOVE CEILING. BOX SHALL BE MOUNTED FLUSH WITH EXTERIOR WALL FINISH.
- CEILING MOUNTED OCCUPANCY SENSOR. ACUITY BRAND, MODEL #CMR9-PDT.
- J-BOX ONLY (DATA OUTLET) - 3/4" CONDUIT STUBBED ABOVE CEILING.
- STANDARD DUPLEX OUTLET LOCATION. PROVIDE CIRCUITS IN ELECTRICAL PANEL AS INDICATED ON PLAN. THESE LOCATIONS INDICATED ON THE PLANS ARE THE ONLY LOCATIONS WHERE OUTLETS ARE REQUIRED. DO NOT DEVIATE.
- STANDARD SURGE PROTECTED DUPLEX OUTLET LOCATION. PROVIDE CIRCUITS IN ELECTRICAL PANEL AS INDICATED ON PLAN. THESE LOCATIONS INDICATED ON THE PLANS ARE THE ONLY LOCATIONS WHERE OUTLETS ARE REQUIRED. DO NOT DEVIATE.
- J-BOX ONLY (FUTURE POWER). PROVIDE CONDUIT RACEWAY TO ELECTRICAL PANEL. NO WIRES OR OUTLET.
- J-BOX ONLY (T-STAT). BCSD WILL PROVIDE T-STAT. PLEASE NOTE THAT THE CONTROL WIRE FOR THE HVAC UNIT WILL NEED TO BE FACTORY INSTALLED FROM THE UNIT TO THE J-BOX FOR FUTURE INCLUSION OF STANDARD DISTRICT T-STATS.
- PROVIDE TIME DELAYED HVAC SHUT DOWN DOOR SWITCH. INTENT IS TO SHUT DOWN HVAC UNIT IF DOOR IS LEFT OPEN TOO LONG.
- POWER AND GROUND ENTRANCES TO THE RELOS NEED TO BE ACCOMPLISHED BY ADDING A CONDUIT NIPPLE FOR THE GROUND AND POWER WIRES AT THE REAR OF THE PANELS THROUGH THE WALL AND FINISH.
- 4S BOX WITH 1" CONDUIT INTO ATTIC SPACE TO 4S DEEP BOX FOR FIRE ALARM CABLE.
- G.F.I. RECEPTACLE. MOUNT AS INDICATED ON PLAN AT CABINET LOCATION. MOUNT AT STANDARD HEIGHT IN CLASSROOM AREAS. PROVIDE CIRCUIT IN ELECTRICAL PANEL AS INDICATED ON PLAN.
- SINGLE GANG DEEP MUD RING. LOCATE AT +94" ABOVE FINISH FLOOR. SINGLE GANG DEEP MUD RING. LOCATE AT +54" ABOVE FINISH FLOOR. PROVIDE 2" CONDUIT ANCHORED TO FRAMING BETWEEN MUD RINGS AND 2" CONDUIT FROM TOP MUD RING TO ABOVE CEILING. NO HARD CONNECTIONS AT MUD RINGS. PROVIDE PULL STRING.
- DOUBLE GANG DEEP MUD RING. LOCATE AT +54" ABOVE FINISH FLOOR. SINGLE GANG DEEP MUD RING. LOCATE AT STANDARD MOUNTING HEIGHT. PROVIDE 2" CONDUIT ANCHORED TO FRAMING BETWEEN MUD RINGS AND 2" CONDUIT FROM TOP MUD RING TO ABOVE CEILING. NO HARD CONNECTIONS AT MUD RINGS. PROVIDE PULL STRING.
- INSTALL ELECTRIC LIGHTED EXIT SIGN WITH BATTERY BACK UP.
- SINGLE GANG DEEP MUD RING. LOCATE AT +54" ABOVE FINISH FLOOR. SINGLE GANG DEEP MUD RING. LOCATE AT STANDARD MOUNTING HEIGHT. PROVIDE 2" CONDUIT ANCHORED TO FRAMING BETWEEN MUD RINGS AND 2" CONDUIT FROM TOP MUD RING TO ABOVE CEILING. NO HARD CONNECTIONS AT MUD RINGS. PROVIDE PULL STRING.
- SINGLE GANG DEEP MUD RING. LOCATE AT +94" ABOVE FINISH FLOOR. PROVIDE 2" CONDUIT ANCHORED TO FRAMING FROM MUD RING TO ABOVE CEILING. NO HARD CONNECTIONS AT MUD RINGS. PROVIDE PULL STRING.
- EXTERIOR LIGHT FIXTURE WITH BUILT IN PHOTO CELL.
- WALL MOUNTED SURGE PROTECTED QUADPLEX OUTLET. LOCATE AT +88" ABOVE FINISH FLOOR AND 16" FROM CENTER OF SMARTBOARD. PROVIDE CIRCUIT IN ELECTRICAL PANEL AS INDICATED ON PLAN.
- PROVIDE SINGLE GANG BOX WITH CEILING MOUNTING BRACKET AT CENTER OF ROOM IN T-BAR CEILING.
- PROVIDE 4x4 BACKING POST AT CENTER OF ROOM FOR SMART BOARD BRACKET.
- J-BOX ONLY (EXTERIOR PA SYSTEM SPEAKER) - INSTALL AT +90" ABOVE FINISH FLOOR. PROVIDE 4x4 BACKING POST AT CENTER OF ROOM FOR SMART BOARD BRACKET.

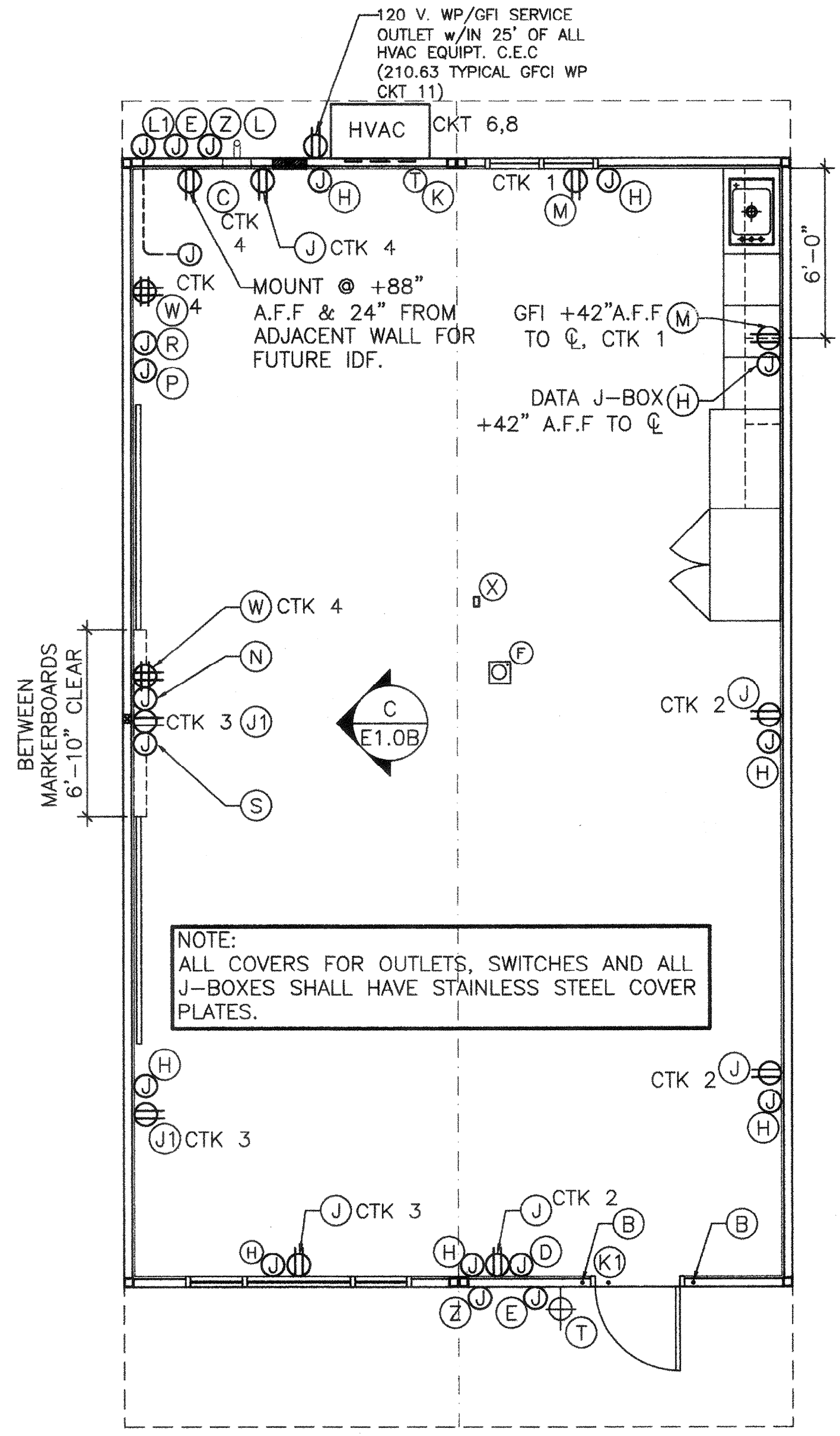


NOTE:
ALL COVERS FOR OUTLETS, SWITCHES AND ALL J-BOXES SHALL HAVE STAINLESS STEEL COVER PLATES.

- G.F.I. RECEPTACLE. MOUNT AT STANDARD HEIGHT
- J-BOX ONLY (EXTERIOR SPEAKER/HORN) - INSTALL 4S DEEP BOX (4" SQ. x 2-1/8" DEEP) AT +90" FROM FLOOR. SET BOX FLUSH WITH EXTERIOR WALL SURFACE.
- 4S BOX WITH 1" CONDUIT INTO ATTIC SPACE TO 4S DEEP BOX FOR FIRE ALARM CABLE.
- J-BOX ONLY (SPEAKER/SROBE) - INSTALL 4S DEEP BOX (4" SQ. x 2-1/8" DEEP) AT +80" FROM FLOOR.
- J-BOX ONLY (SMOKE DETECTOR) - INSTALL 4" SQ. BOX WITH 3/0 PLASTER RING FLUSH WITH CEILING SURFACE.
- ELECTRICAL SERVICE TIE-IN LOCATION
- J-BOX MOUNTED @ +36" WITH 230 POWER FOR DISTRICT SUPPLIED HAND DRYERS.
- EXTERIOR LIGHT FIXTURE WITH BUILT IN PHOTO CELL.
- 8 GALLON 120 VOLT ELECTIC WATER HEATER. MOUNT ON WALL AS POSSIBLE WITH DSA APPROVED PLATFORM AND SAFETY STRAPS.
- J-BOX ONLY (EXTERIOR SPEAKER) - INSTALL AT +90" FROM FLOOR.

12' x 40' RESTROOM ELEC. LAYOUT & NOTES

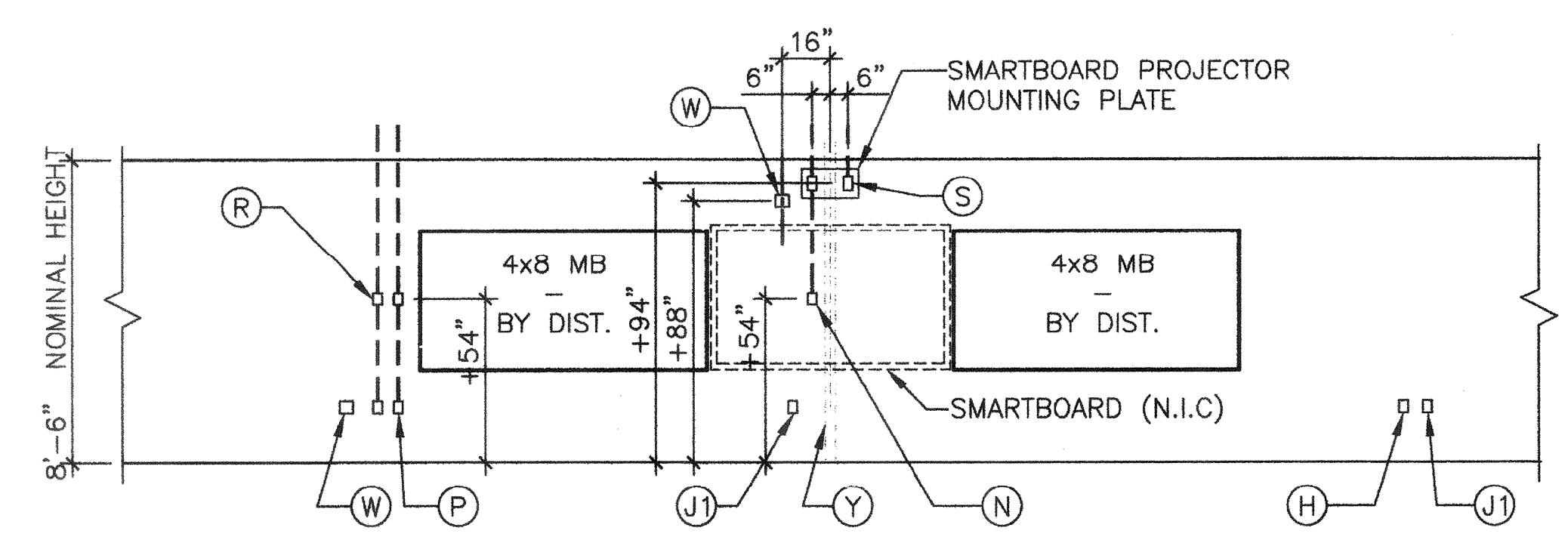
SCALE: 3/16" = 1'-0"



NOTE:
ALL COVERS FOR OUTLETS, SWITCHES AND ALL J-BOXES SHALL HAVE STAINLESS STEEL COVER PLATES.

TYP. CLASSROOM ELECTRICAL LAYOUT

SCALE: 3/16" = 1'-0"



TYP. CLASSROOM ELECTRICAL LAYOUT

SCALE: 3/16" = 1'-0"

TYPICAL CLASSROOM ELECTRICAL NOTES