

MODULAR MANUFACTURER PROPRIETARY STATEMENT

THESE DRAWINGS AND THE MATERIAL CONTAINED THEREIN ARE THE PROPERTY OF AMERICAN MODULAR SYSTEMS, INC. (AMS) AND SHALL NOT BE REPRODUCED, COPIED OR OTHERWISE DISPOSED OF DIRECTLY OR INDIRECTLY AND SHALL NOT BE USED IN WHOLE OR IN PART TO ASSIST IN THE MAKING OF OR FOR THE PURPOSE OF FURNISHING ANY INFORMATION FOR THE MAKING OF DRAWINGS, PRINTS, APPARATUS OR PARTS THEREOF WITHOUT THE FULL KNOWLEDGE AND WRITTEN CONSENT OF AMS. ALL PATENTABLE MATERIAL CONTAINED HEREIN AND ORIGINATING WITH AMS SHALL BE THE SOLE PROPERTY OF AMS.

PRE-CHECKED SET NAME

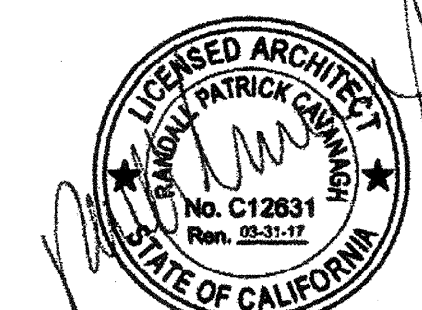
24' x 40' THRU 120' x 40'  
2:12 PITCHED ROOF

SITE SPECIFIC PROJECT NAME

SHEET TITLE

MECHANICAL  
ROOF DETAILS

MANUFACTURER PROFESSIONAL OF RECORD ON PC



AGENCY TRACKING NO. 63321-241

FILE NO. 15-6

IDENTIFICATION STAMP  
DIV. OF THE STATE ARCHITECT  
OFFICE OF REGULATION SERVICES

03-118380

DATE 03/25/2017

PROJECT SPECIFIC STATE AGENCY APPROVAL

IDENTIFICATION STAMP  
DIV. OF THE STATE ARCHITECT

02-118382

DATE 6/19/2015

ORIGINAL PC STATE AGENCY APPROVAL

IDENTIFICATION STAMP  
DIV. OF THE STATE ARCHITECT  
CA. DEPT. OF GENERAL SERVICES

PC 02-113939

DATE 6/19/2015

PRE-CHECK (PC) DOCUMENT - CODE: 2013 CBC  
A SEPARATE PROJECT APPLICATION FOR CONSTRUCTION IS REQUIRED

REVISIONS

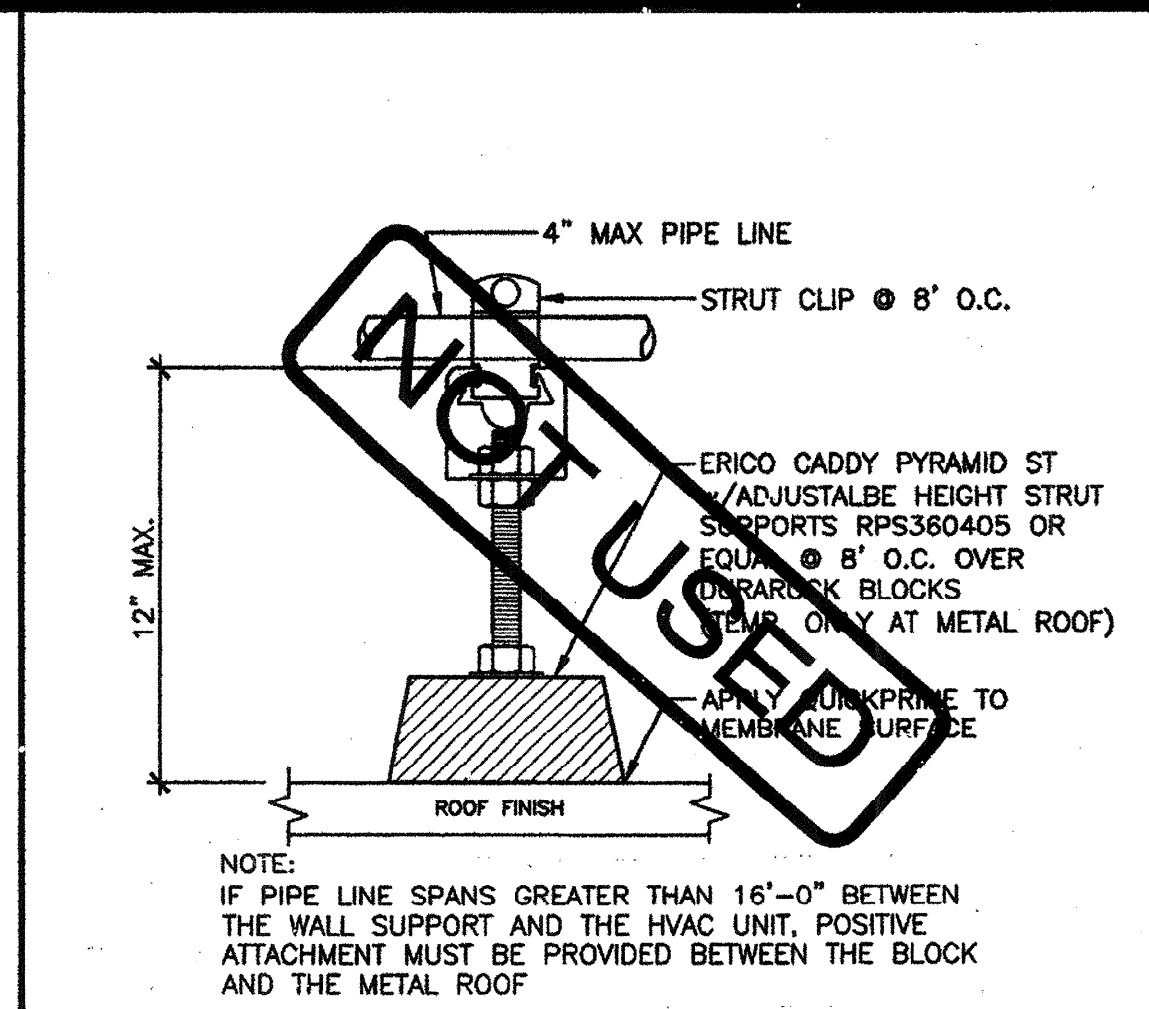
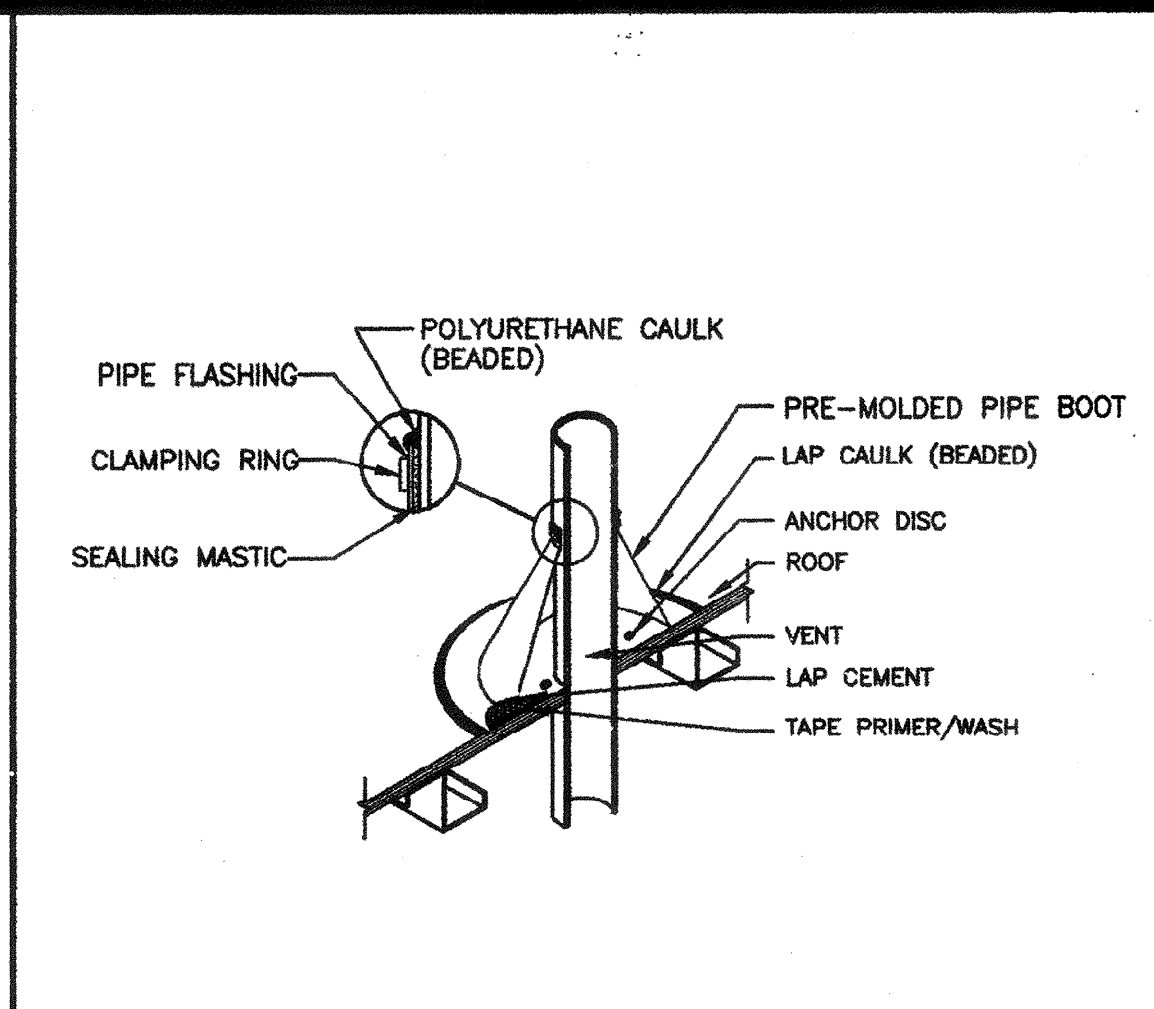
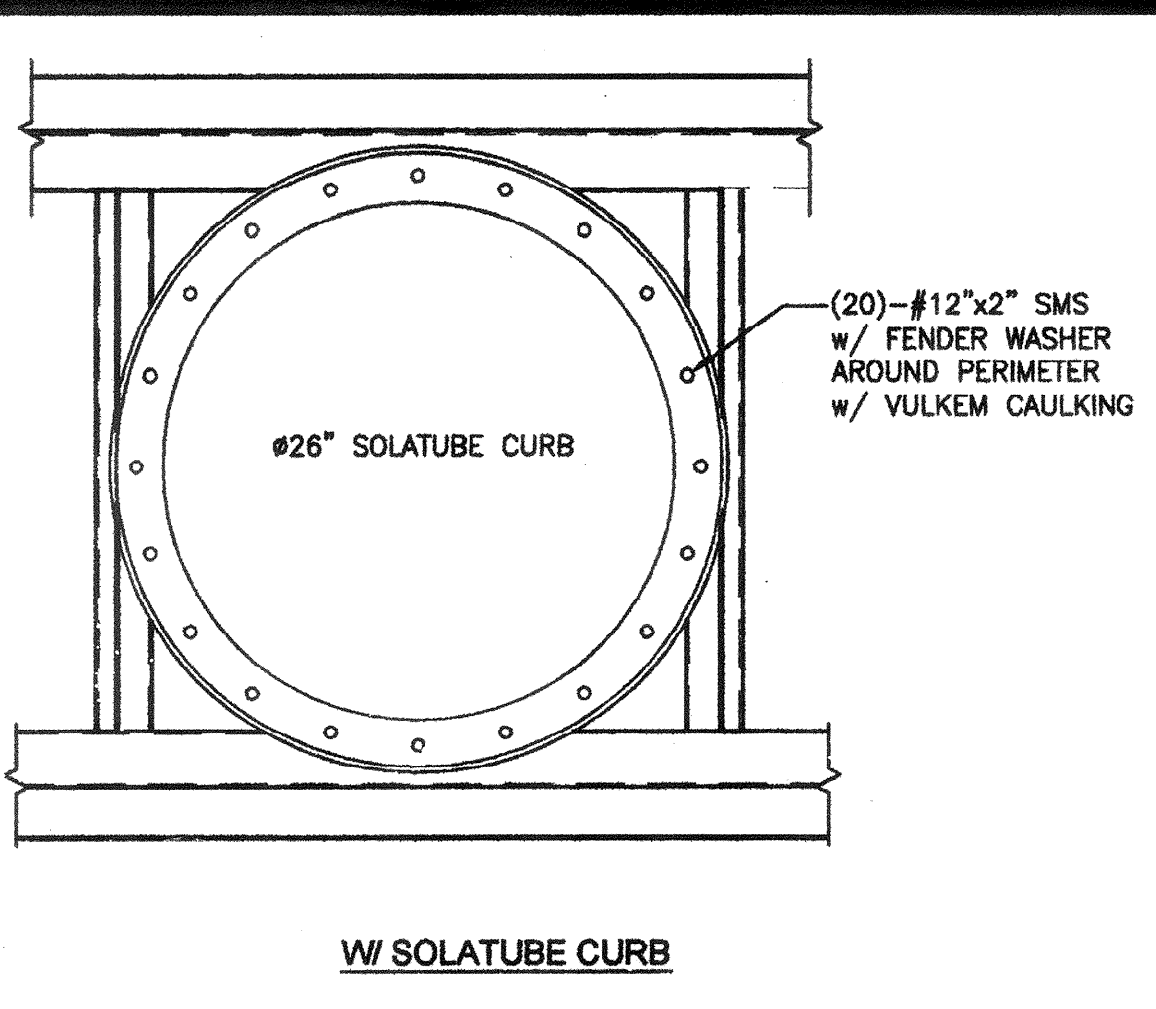
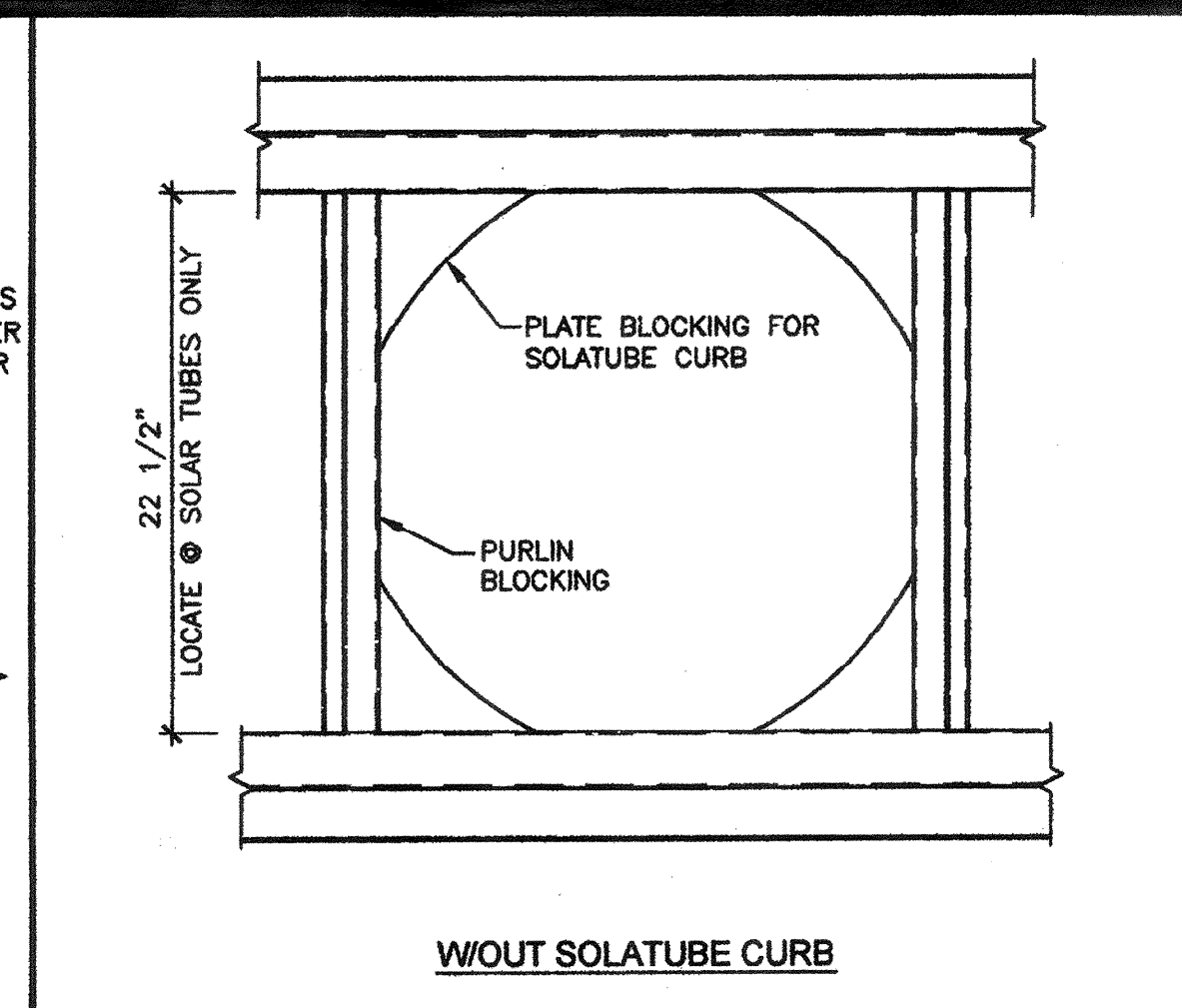
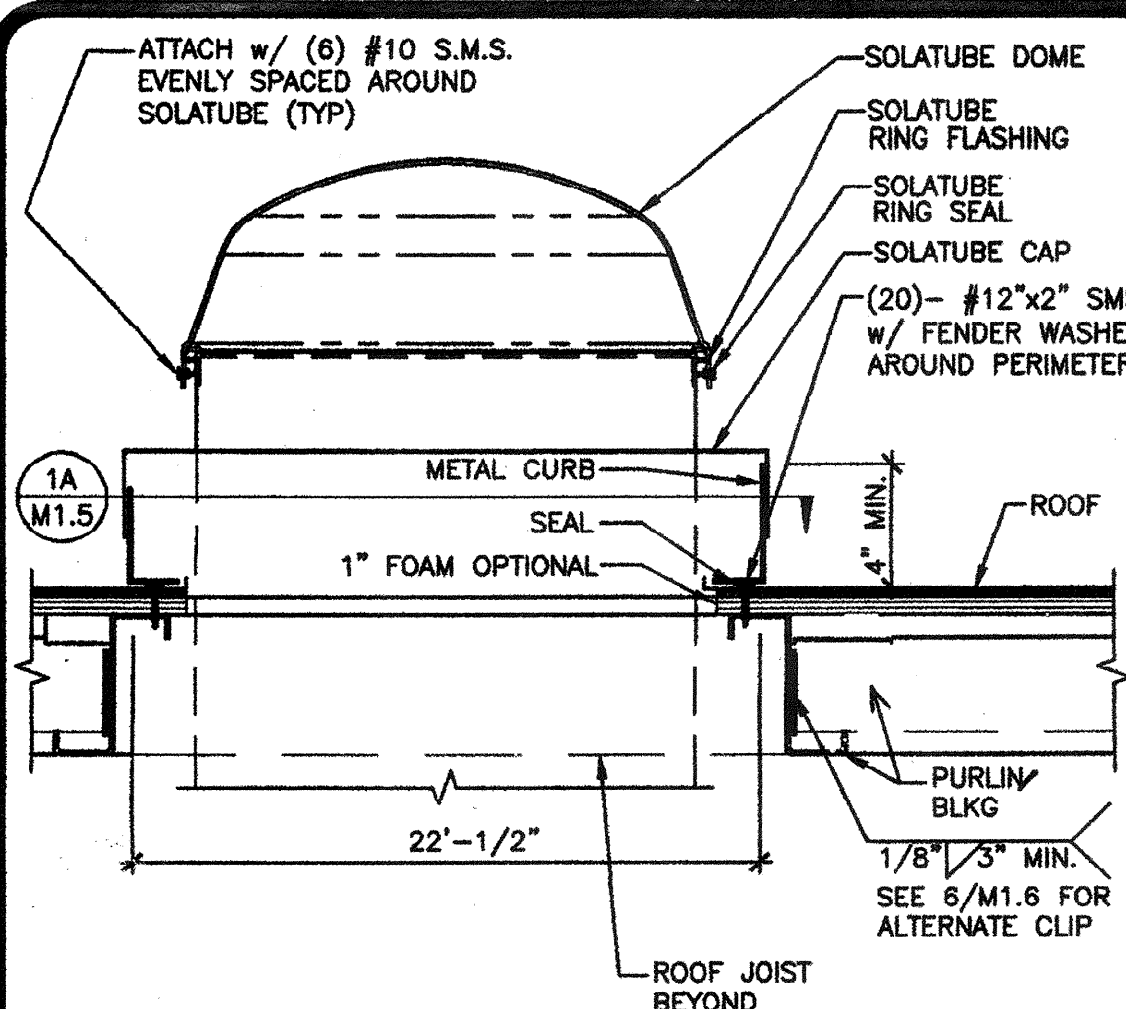

DRAWN BY:

SCALE: AS NOTED

DATE:

SHEET NUMBER

M1.6



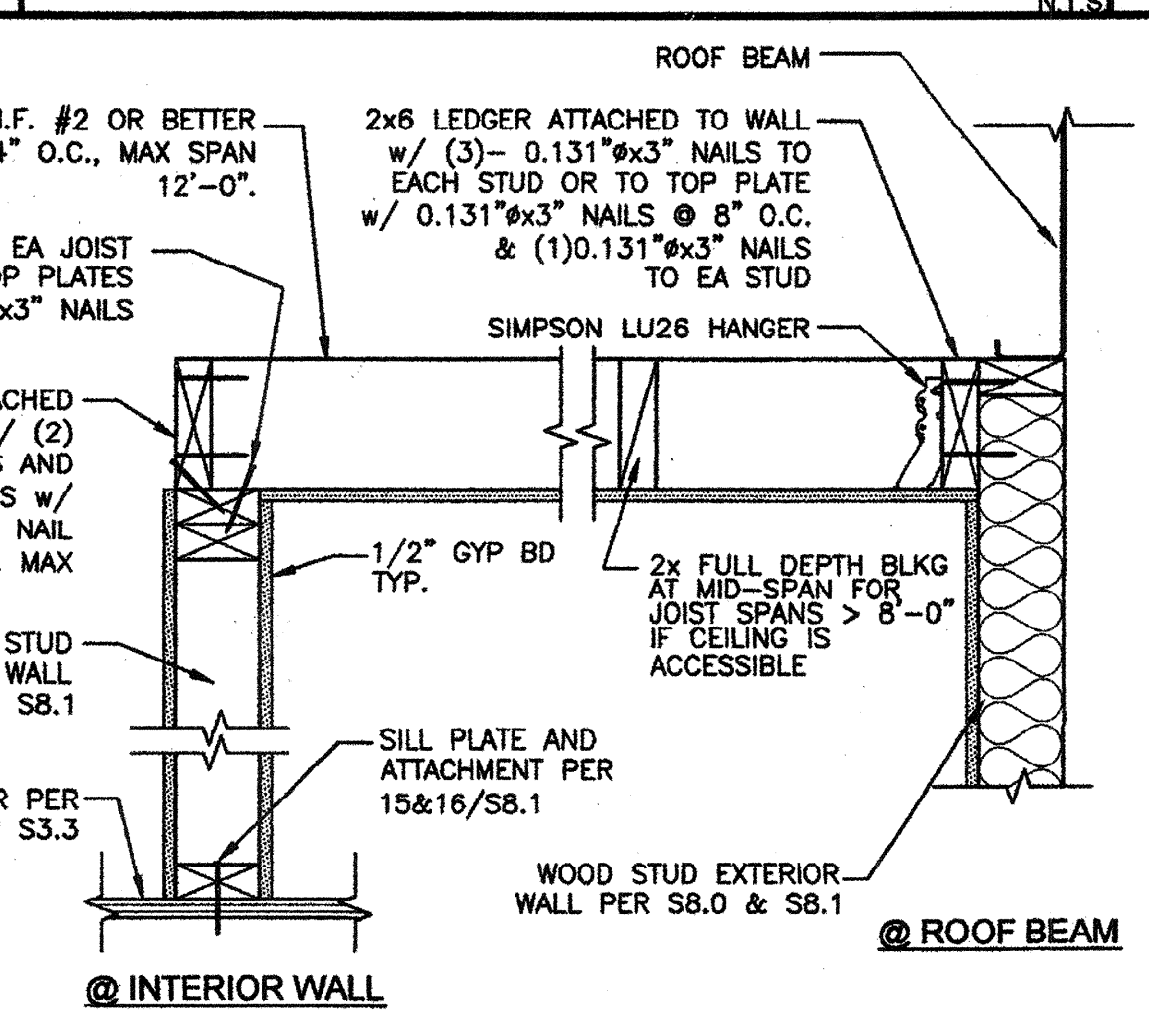
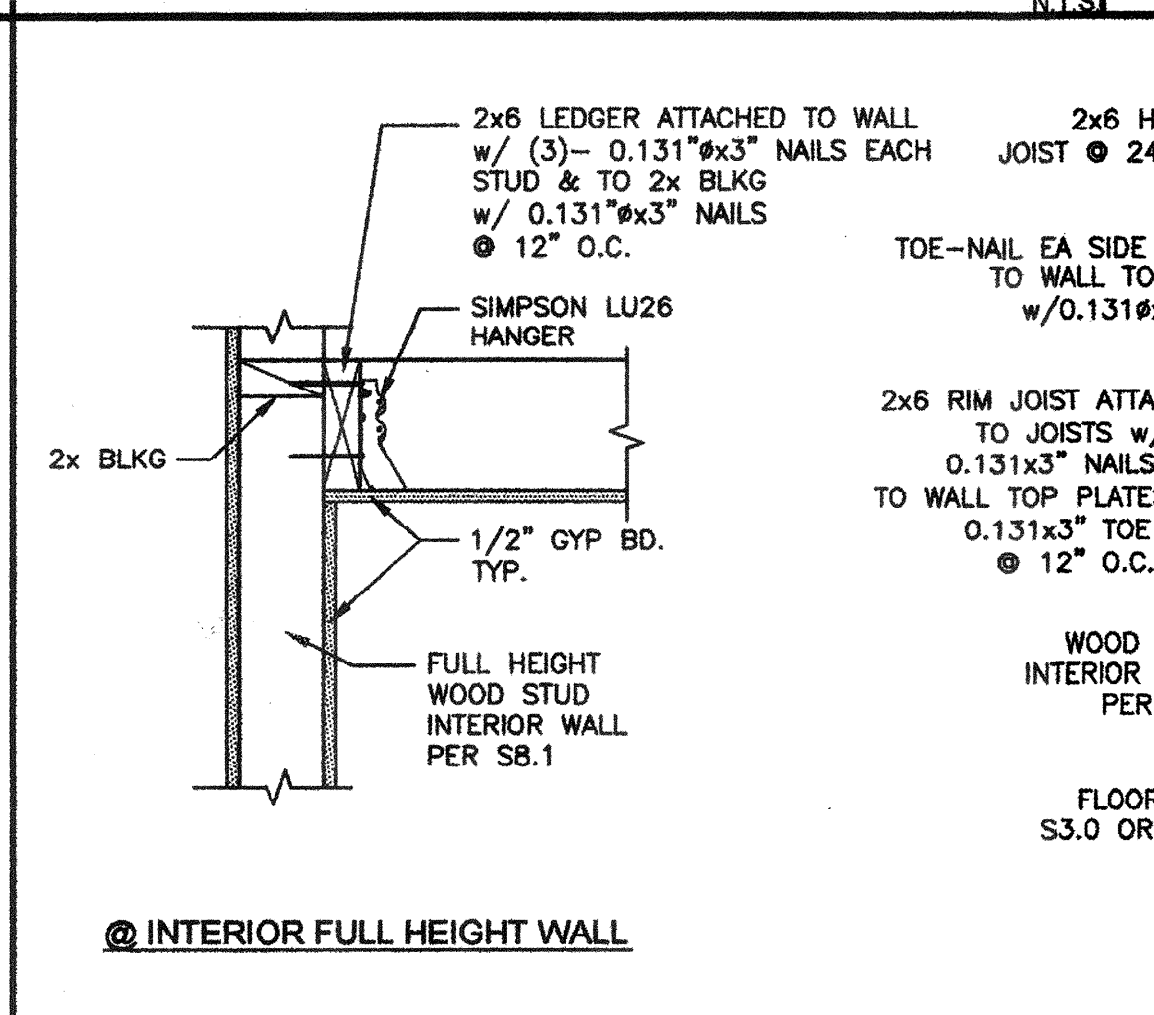
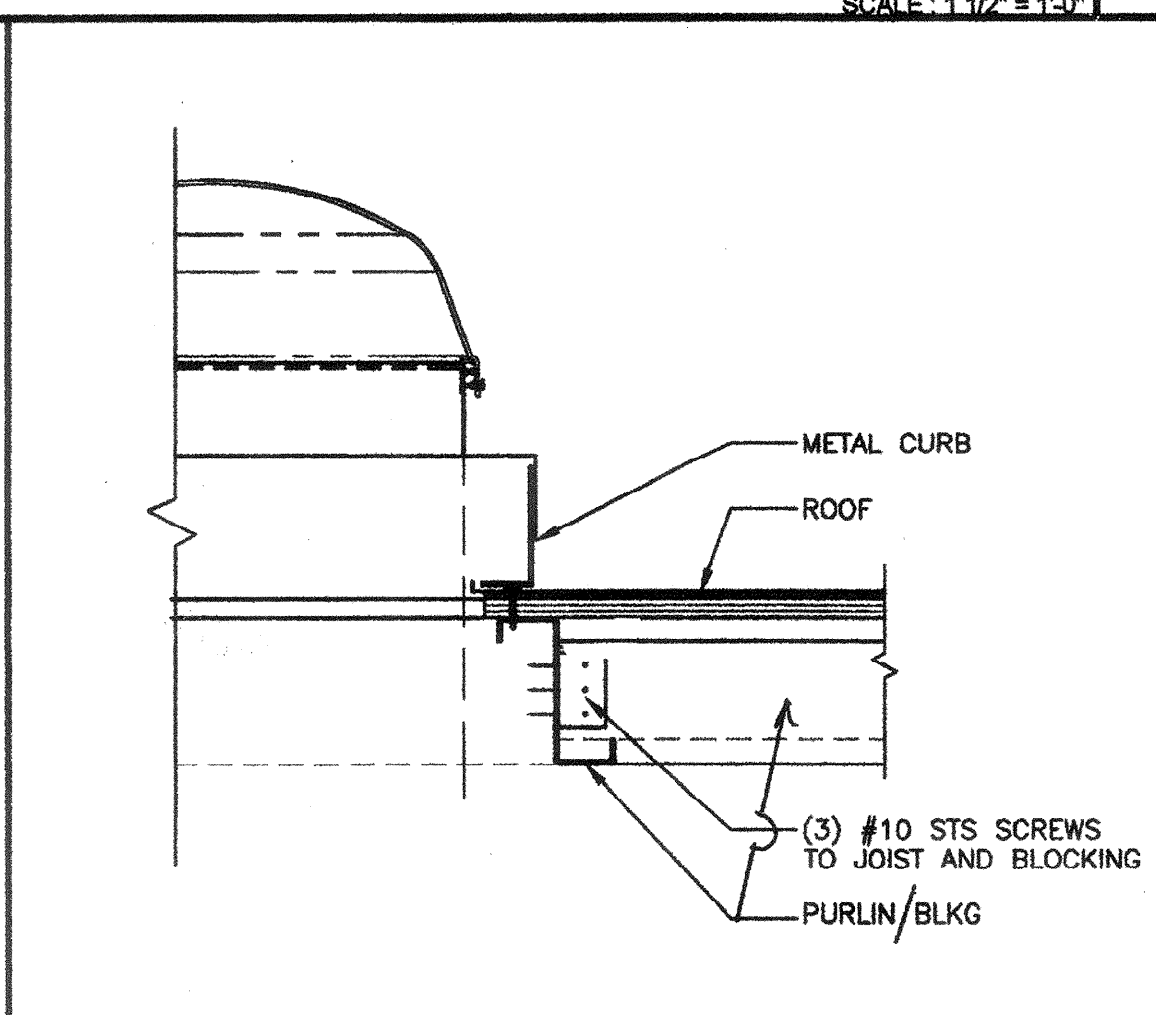
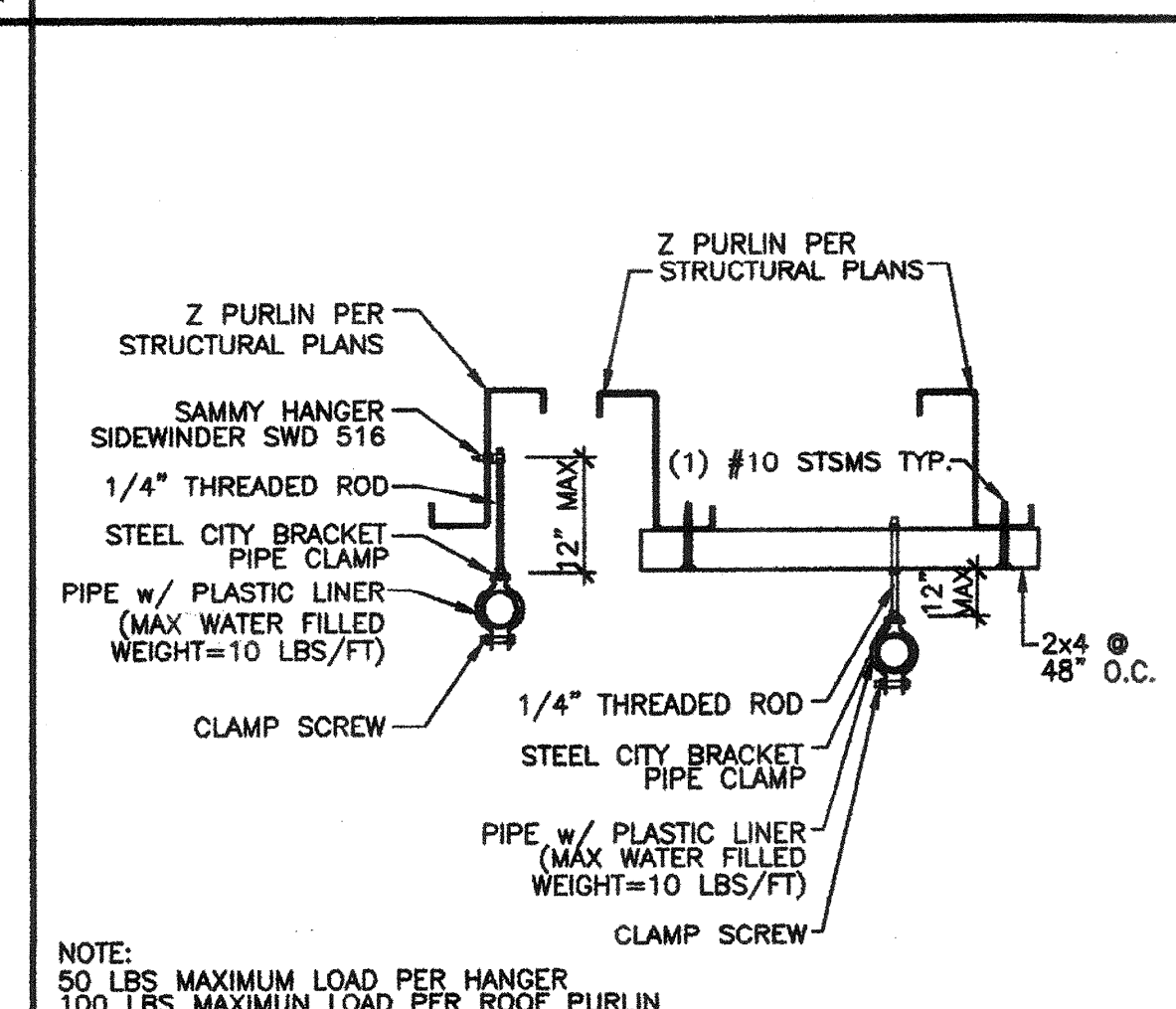
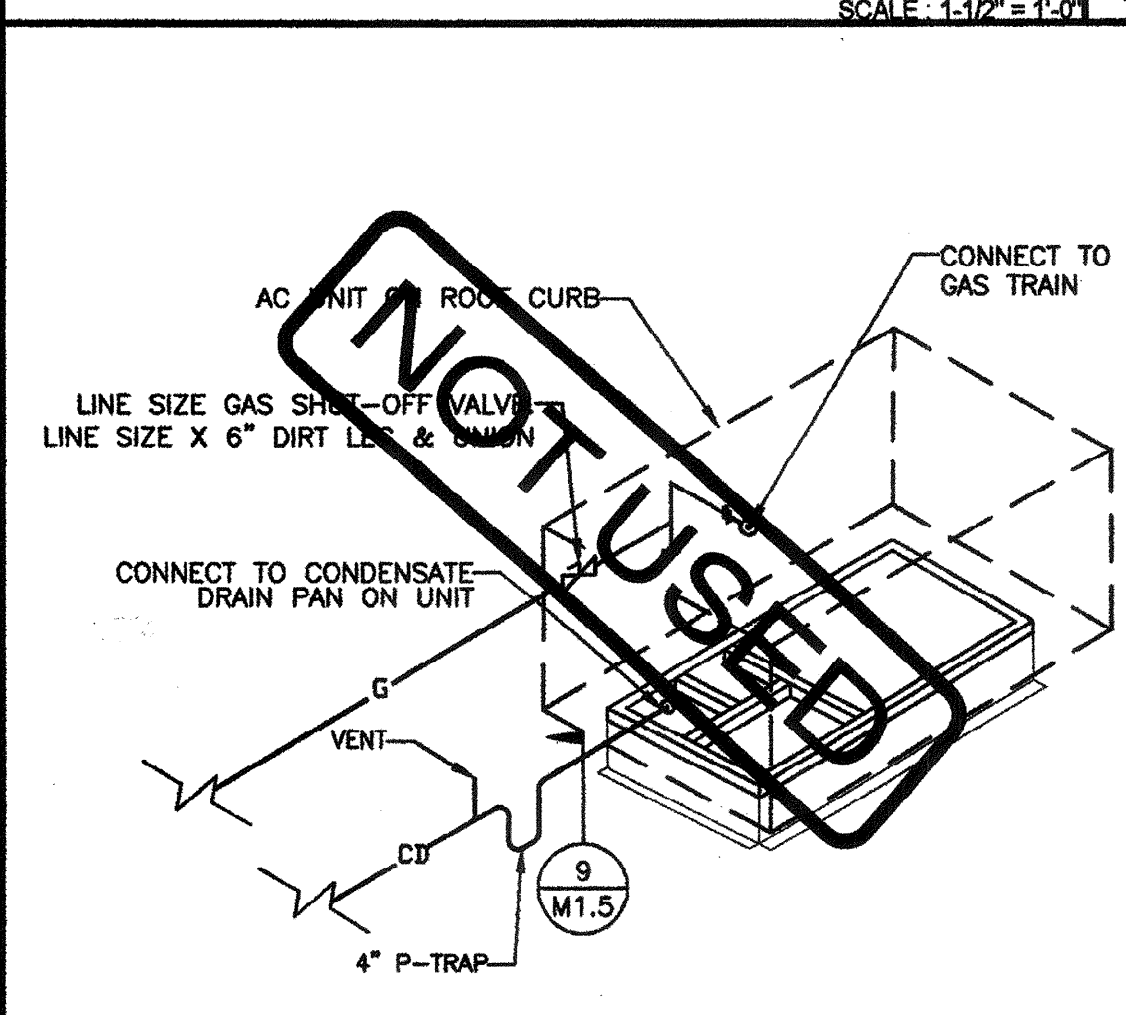
SOLATUBE ATTACHMENT DETAIL SCALE: 1/12" = 1'-0"

SOLATUBE CURB ATTACHMENT DETAIL SCALE: 1/12" = 1'-0"

SOLATUBE CURB ATTACHMENT DETAIL SCALE: 1/12" = 1'-0"

VENT THRU ROOF PENETRATION DETAIL N.T.S.

CONDENSATE / GAS N.T.S.



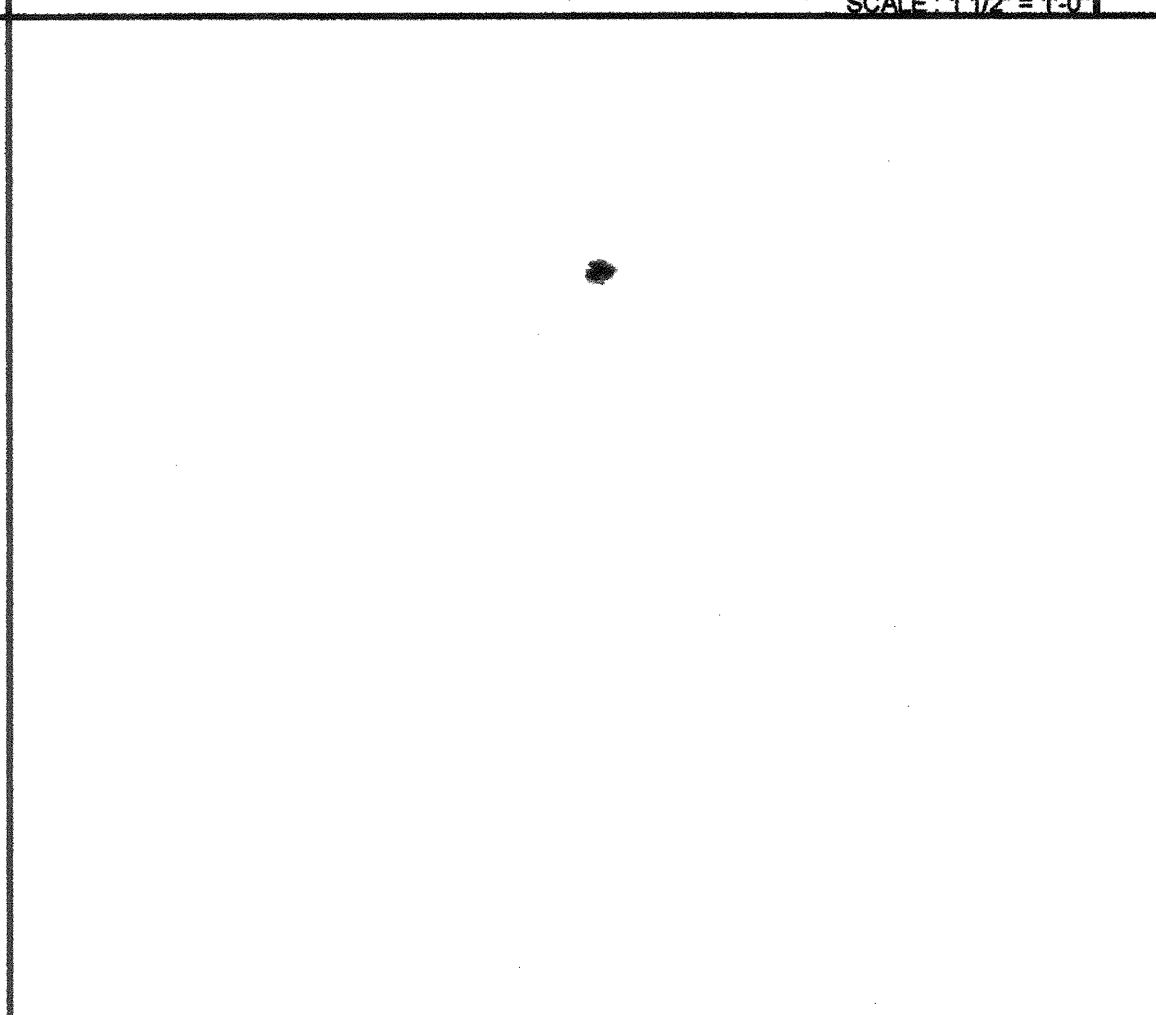
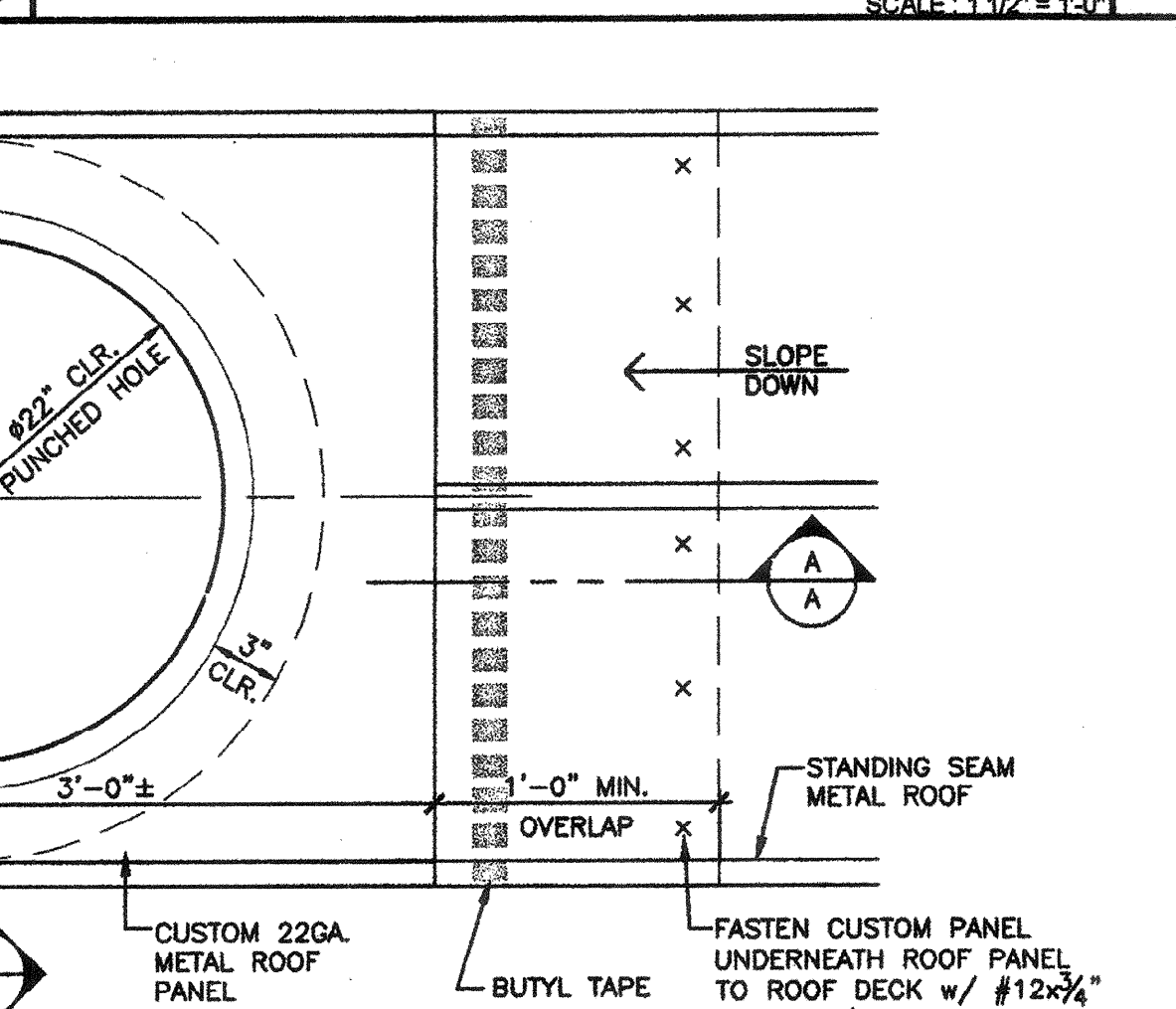
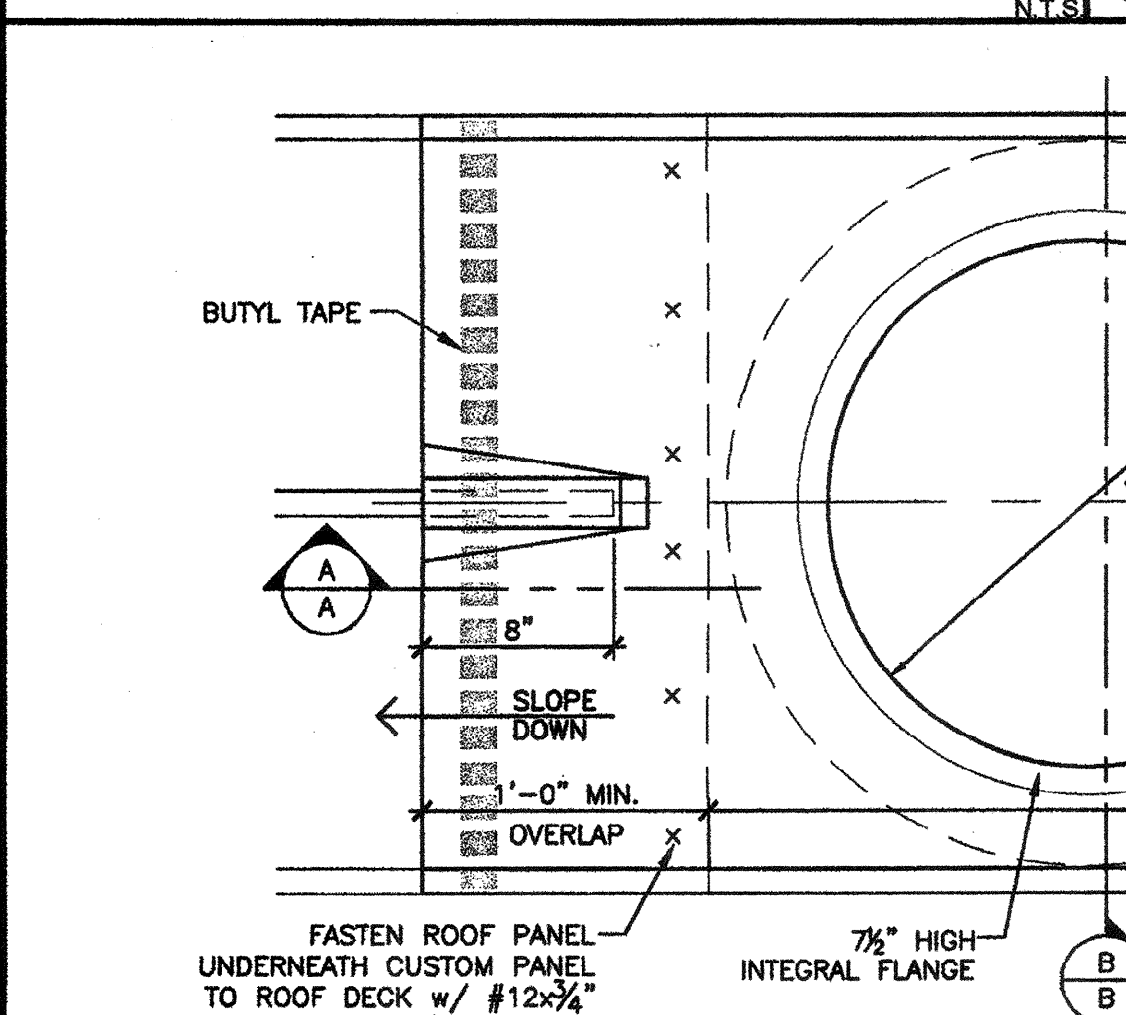
HVAC UNIT PIPING N.T.S.

PIPING DETAIL SCALE: 1/12" = 1'-0"

SOLATUBE SECTION (ALT. CLIP) SCALE: 1/12" = 1'-0"

GYPSUM BOARD CEILING DETAIL - OPTIONAL SCALE: 1/12" = 1'-0"

GYPSUM BOARD CEILING DETAIL - OPTIONAL SCALE: 1/12" = 1'-0"



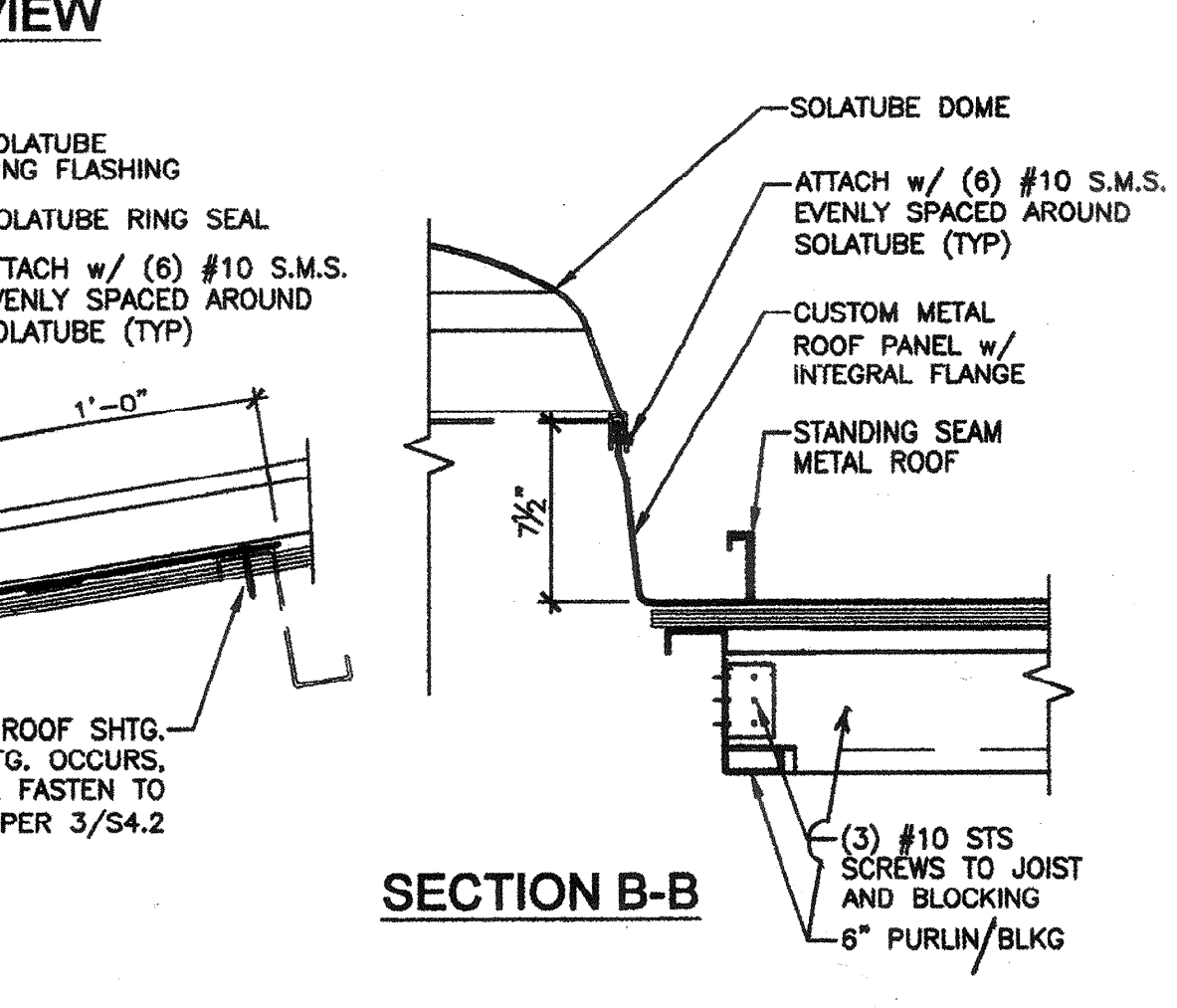
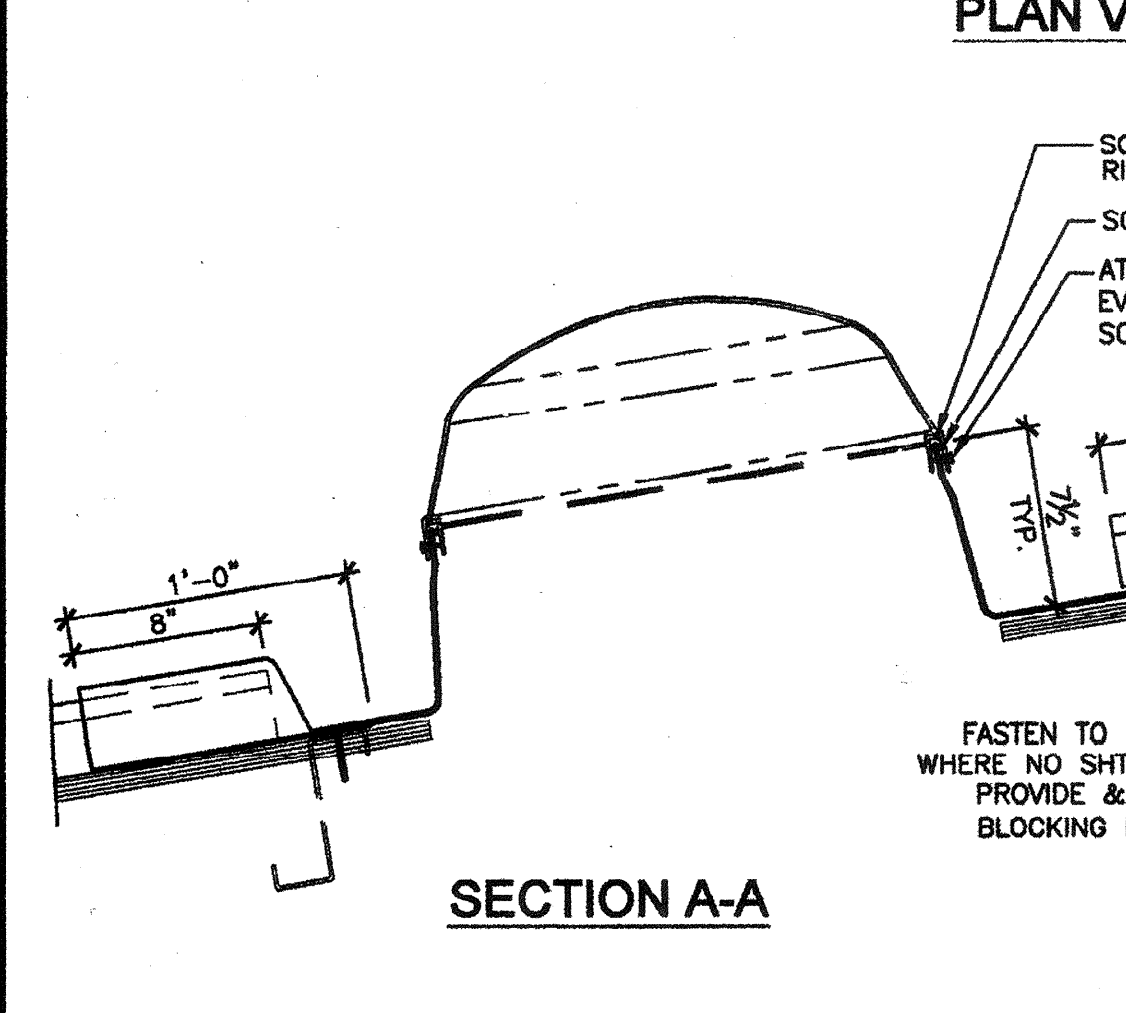
OPTIONAL SOLATUBE DETAILS SCALE: 1/12" = 1'-0"

OPTIONAL SOLATUBE DETAILS SCALE: 1/12" = 1'-0"

OPTIONAL SOLATUBE DETAILS SCALE: 1/12" = 1'-0"

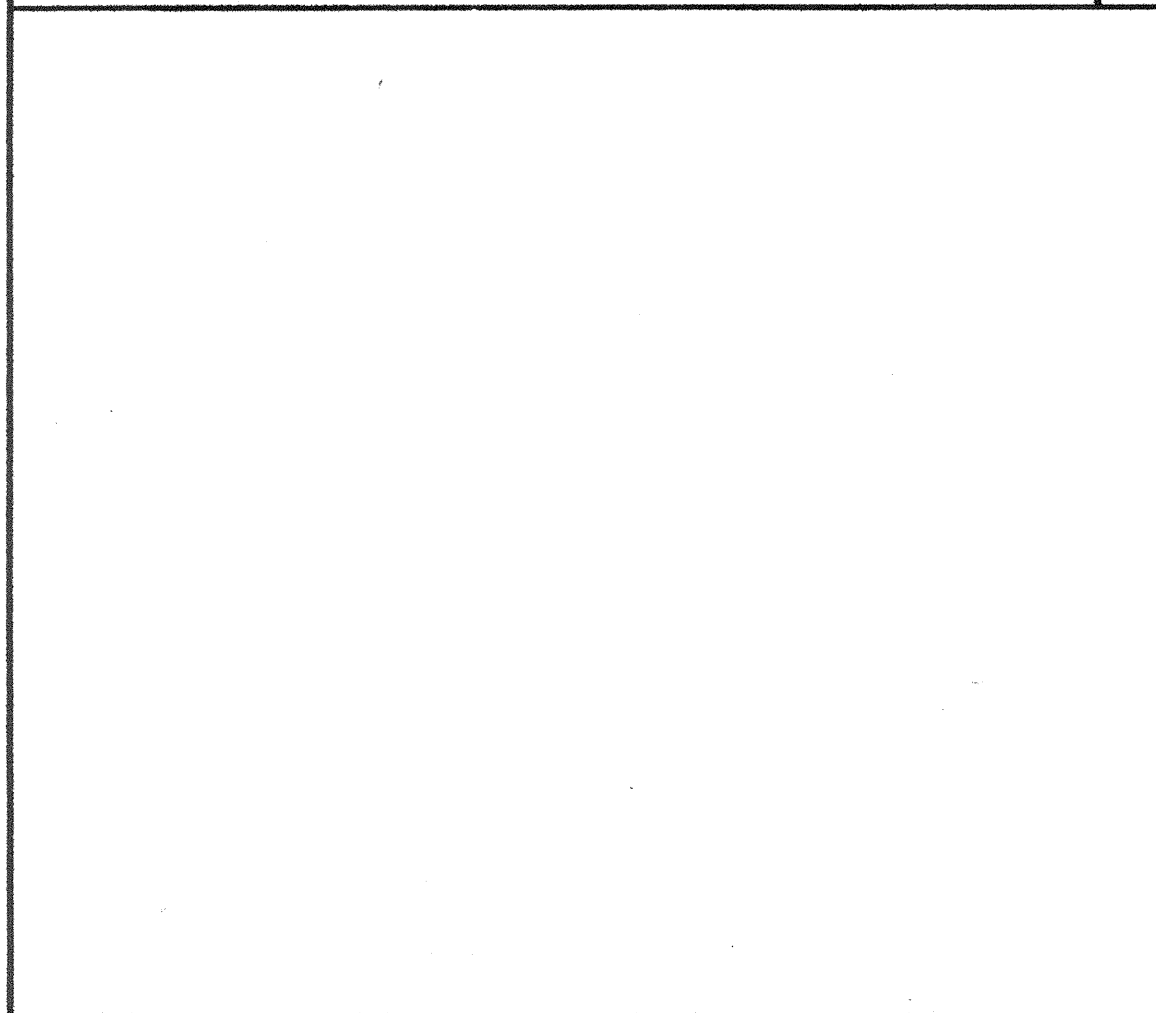
GYPSUM BOARD CEILING DETAIL w/STEEL STUDS - OPTIONAL SCALE: 1/12" = 1'-0"

GYPSUM BOARD CEILING DETAIL w/STEEL STUDS - OPTIONAL SCALE: 1/12" = 1'-0"

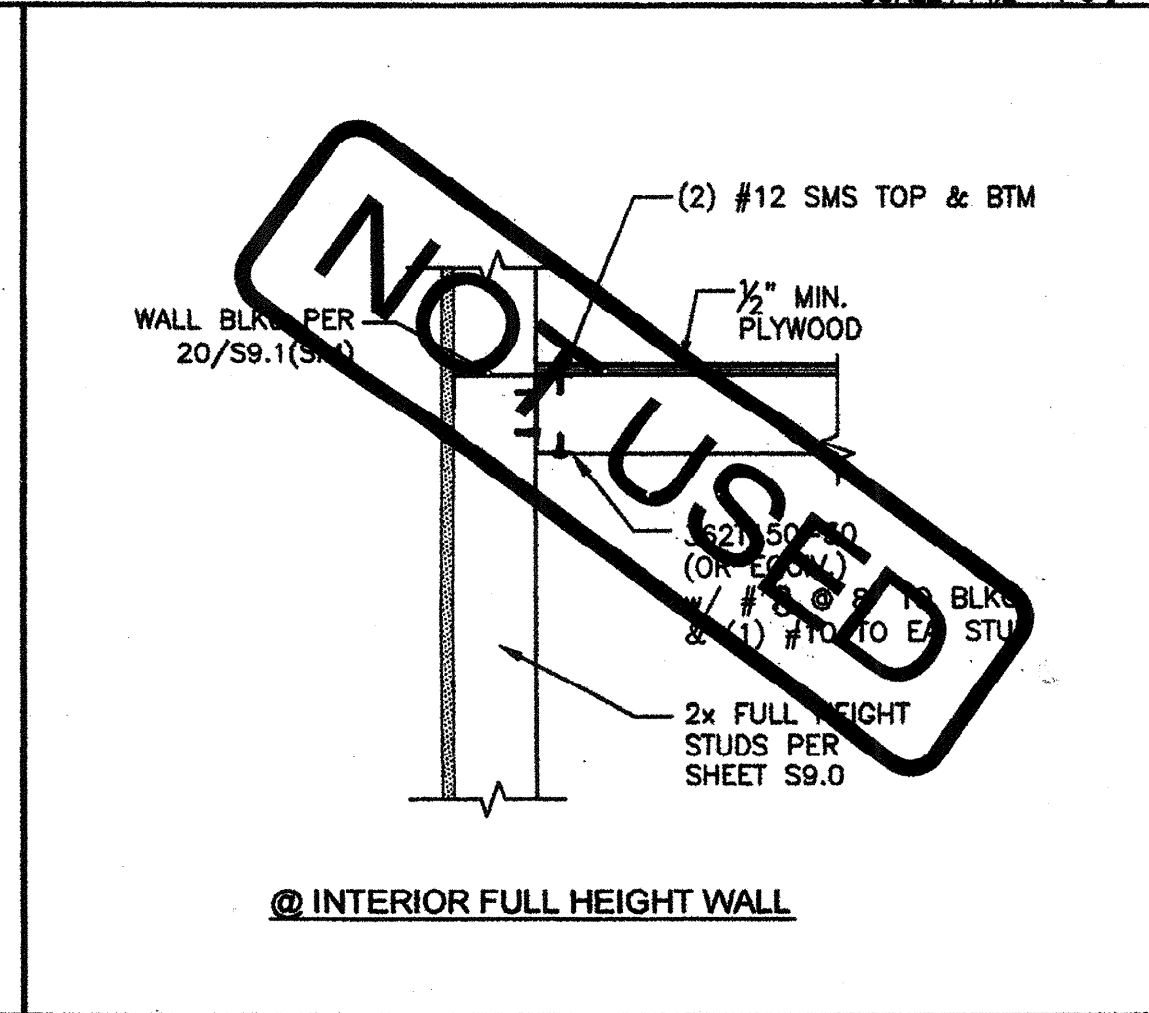
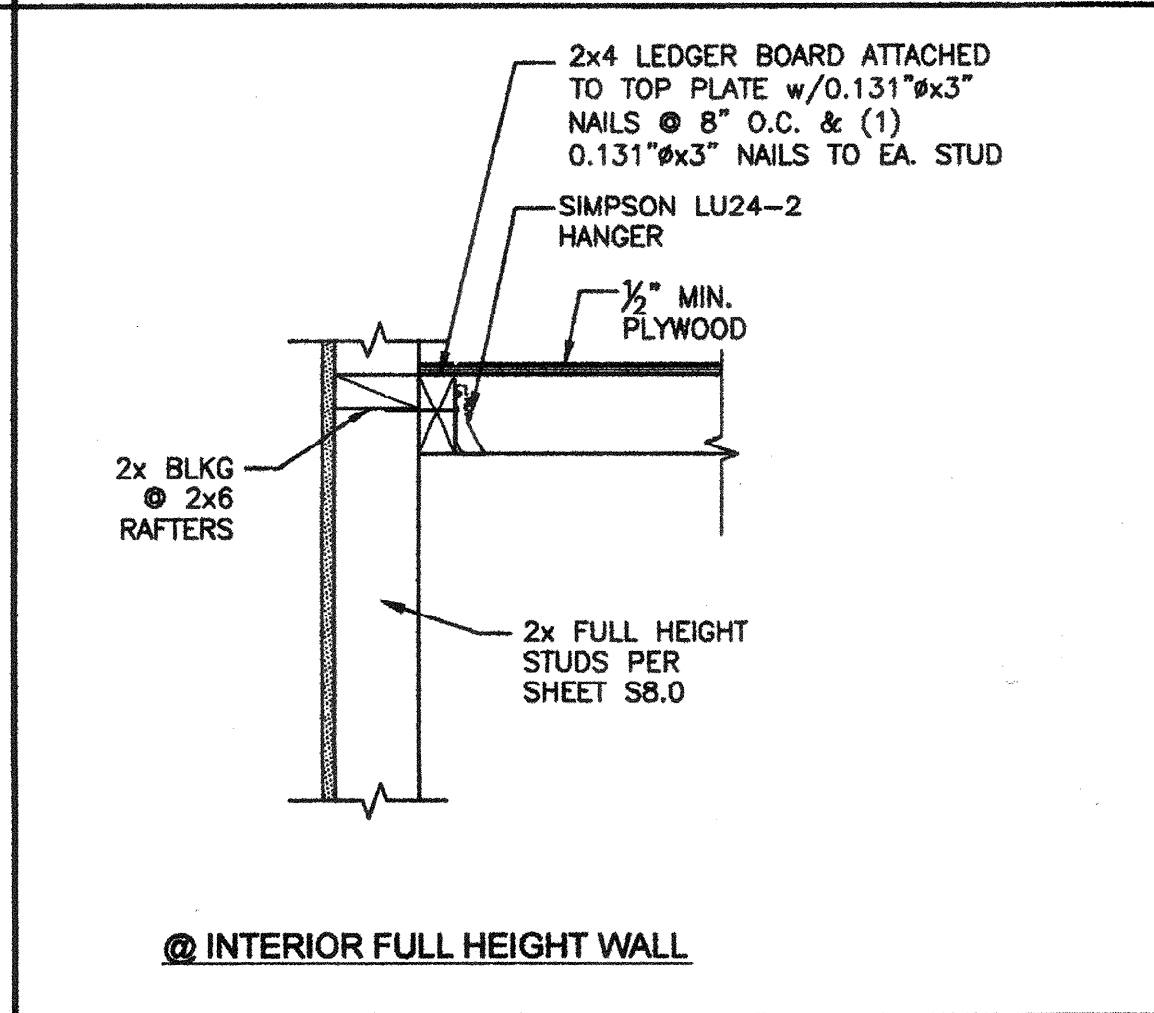


OPTIONAL SOLATUBE DETAILS SCALE: 1/12" = 1'-0"

OPTIONAL SOLATUBE DETAILS SCALE: 1/12" = 1'-0"



DETAIL w/ WOOD STUD - OPTION SCALE: 1/12" = 1'-0"



DETAIL w/ STEEL STUD - OPTION SCALE: 1/12" = 1'-0"

DETAIL w/ STEEL STUD - OPTION SCALE: 1/12" = 1'-0"

OPTIONAL SOLATUBE DETAILS SCALE: 1/12" = 1'-0"

OPTIONAL SOLATUBE DETAILS SCALE: 1/12" = 1'-0"

DETAIL w/ WOOD STUD - OPTION SCALE: 1/12" = 1'-0"

DETAIL w/ WOOD STUD - OPTION SCALE: 1/12" = 1'-0"

DETAIL w/ STEEL STUD - OPTION SCALE: 1/12" = 1'-0"

DETAIL w/ STEEL STUD - OPTION SCALE: 1/12" = 1'-0"