

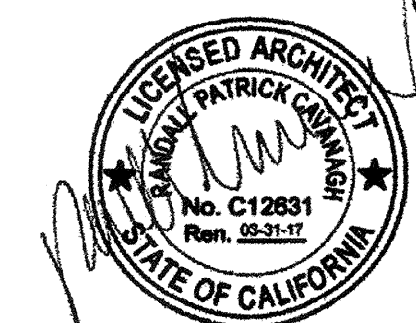
MODULAR MANUFACTURER PROPRIETARY STATEMENT
 THESE DRAWINGS AND THE MATERIAL CONTAINED THEREIN ARE THE PROPERTY OF AMERICAN MODULAR SYSTEMS, INC. (AMS) AND SHALL NOT BE REPRODUCED, COPIED OR OTHERWISE DISPOSED OF DIRECTLY OR INDIRECTLY AND SHALL NOT BE USED IN WHOLE OR IN PART TO ASSIST IN THE MAKING OF OR FOR THE PURPOSE OF FURNISHING ANY INFORMATION FOR THE MAKING OF DRAWINGS, PRINTS, APPARATUS OR PARTS THEREOF WITHOUT THE FULL KNOWLEDGE AND WRITTEN CONSENT OF AMS. ALL PATENTABLE MATERIAL CONTAINED HEREIN AND ORIGINATING WITH AMS SHALL BE THE SOLE PROPERTY OF AMS.

PRE-CHECKED SET NAME
24' x 40' THRU 120' x 40'
2:12 PITCHED ROOF

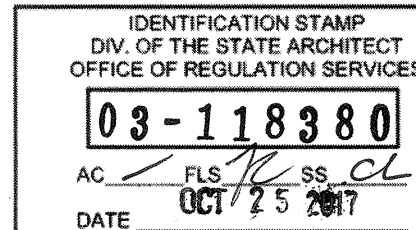
SITE SPECIFIC PROJECT NAME

SHEET TITLE
CEILING & MECHANICAL DETAILS

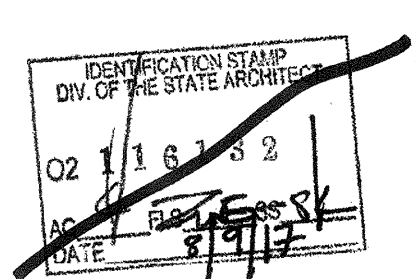
MANUFACTURER PROFESSIONAL OF RECORD ON PC



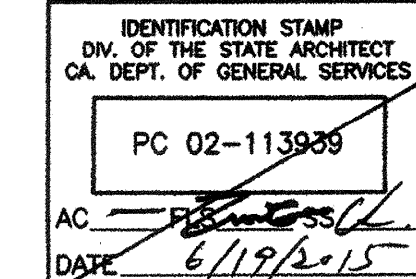
AGENCY TRACKING NO. 63321-241
 FILE NO. 15-6



PROJECT SPECIFIC STATE AGENCY APPROVAL



ORIGINAL PC STATE AGENCY APPROVAL

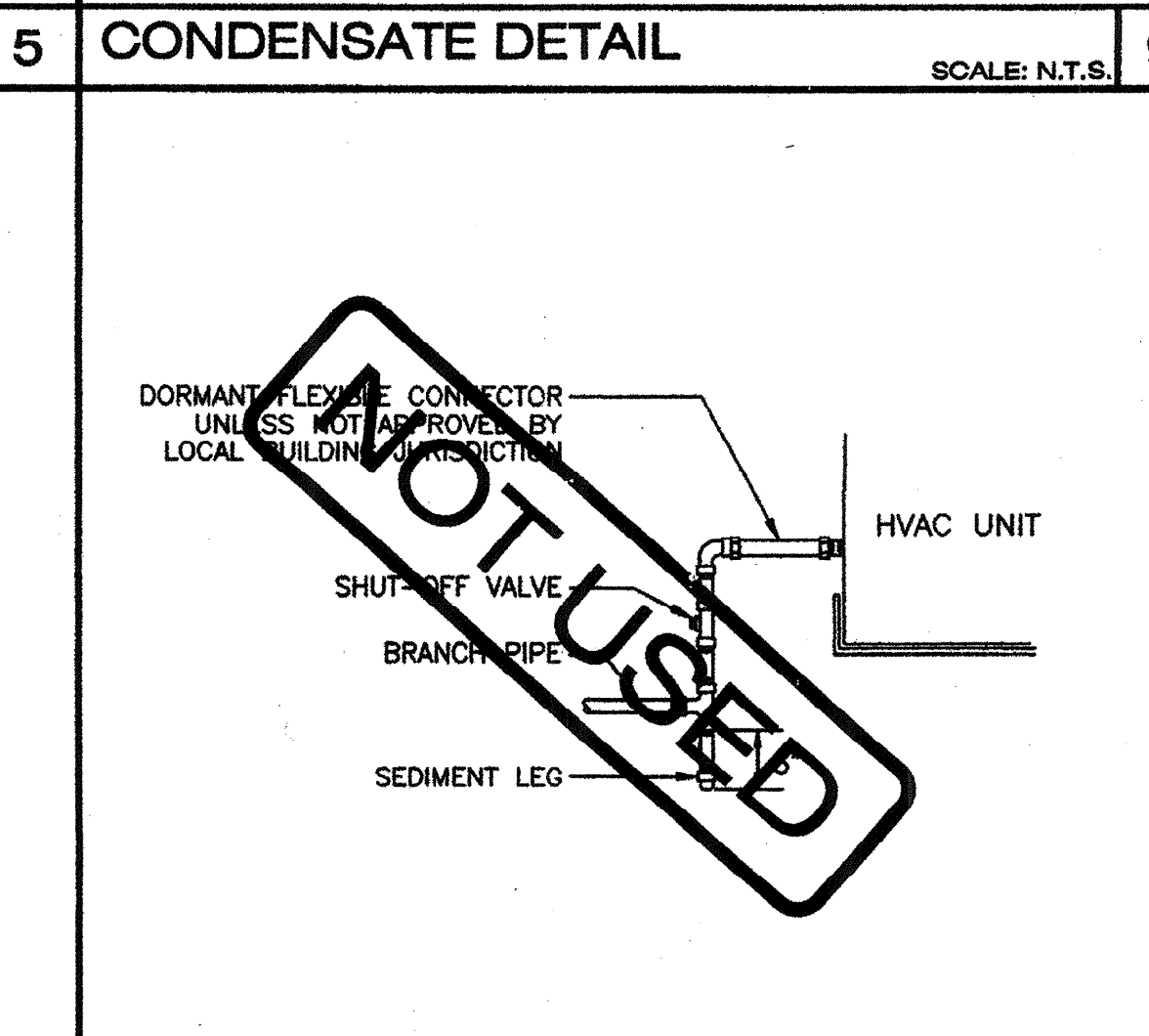
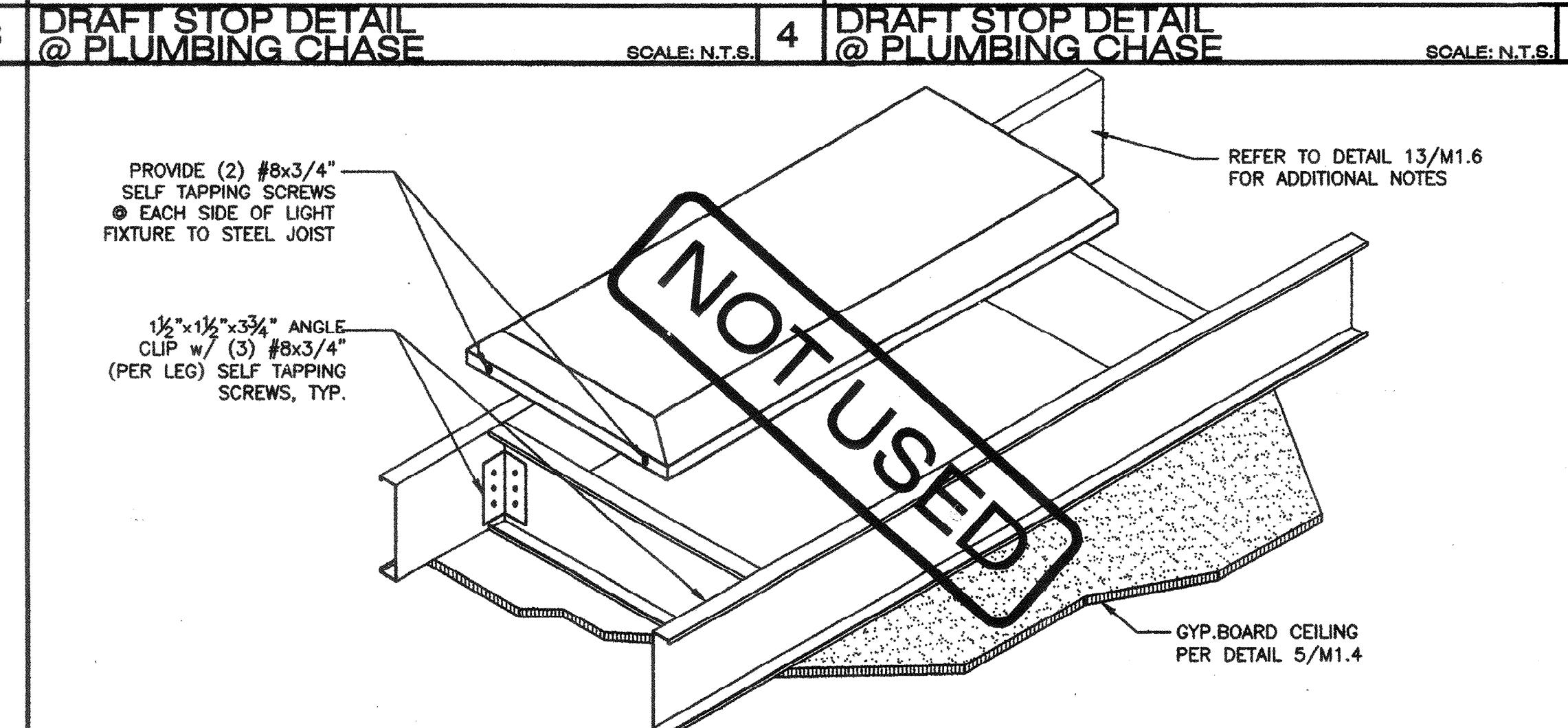
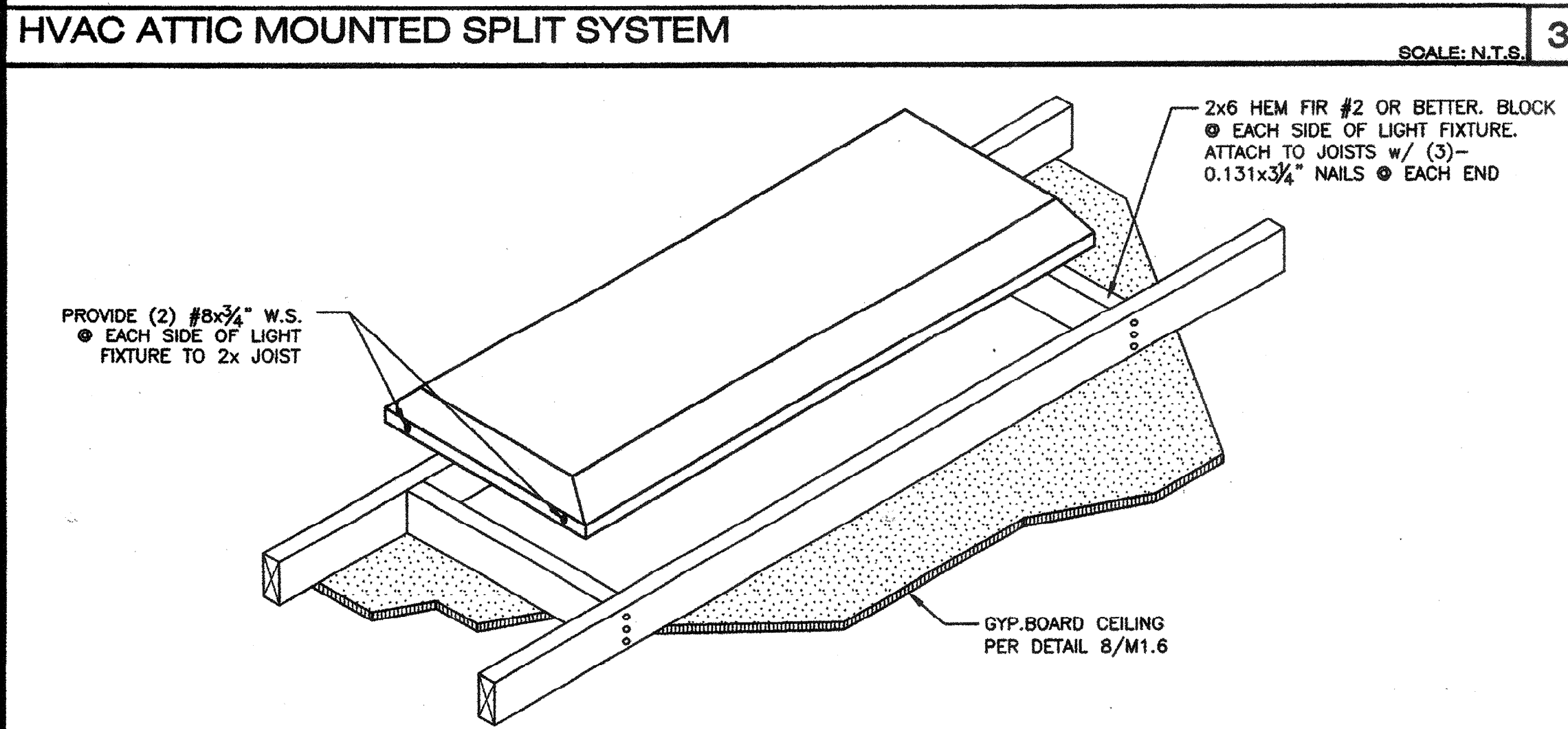
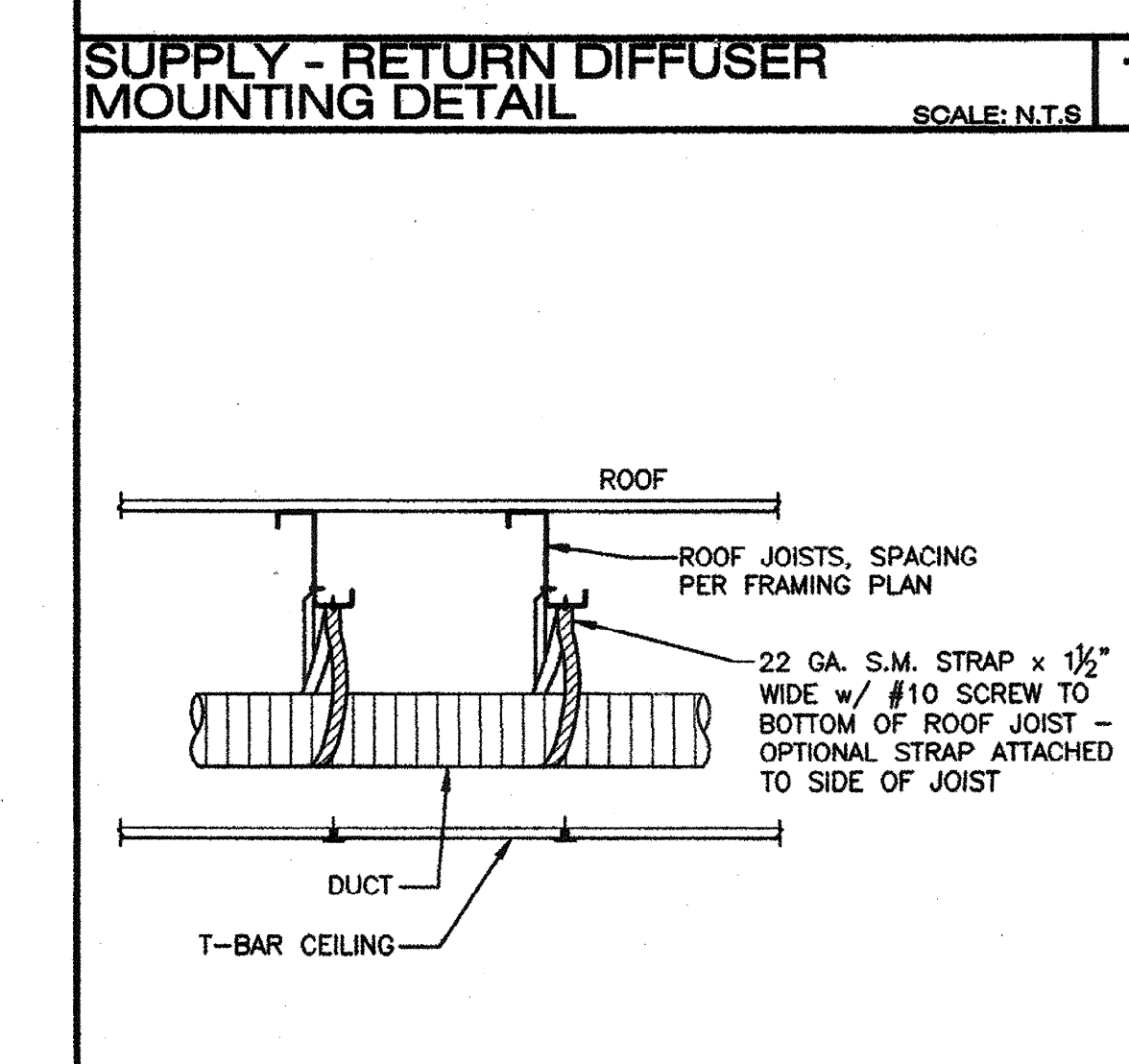
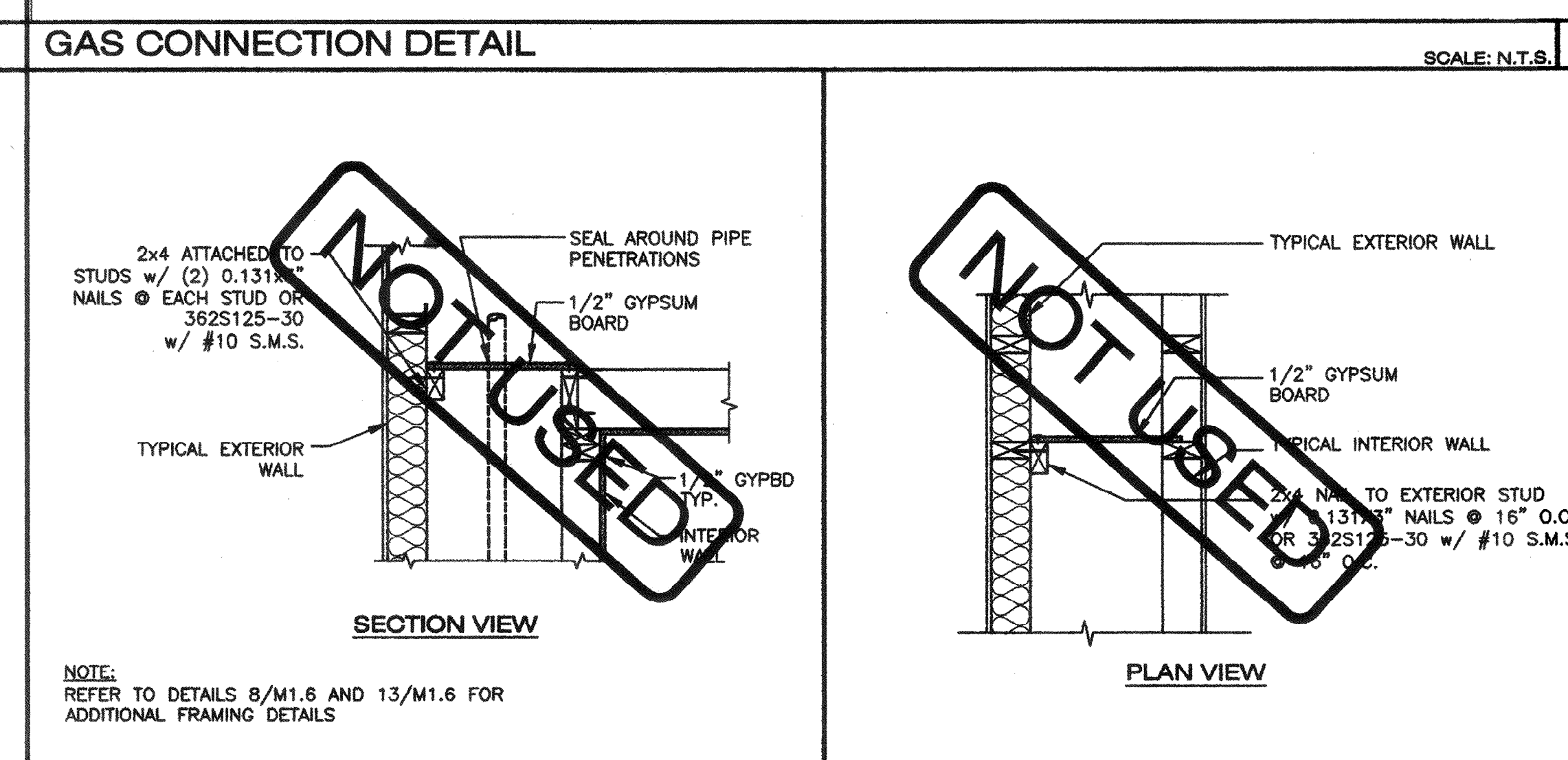
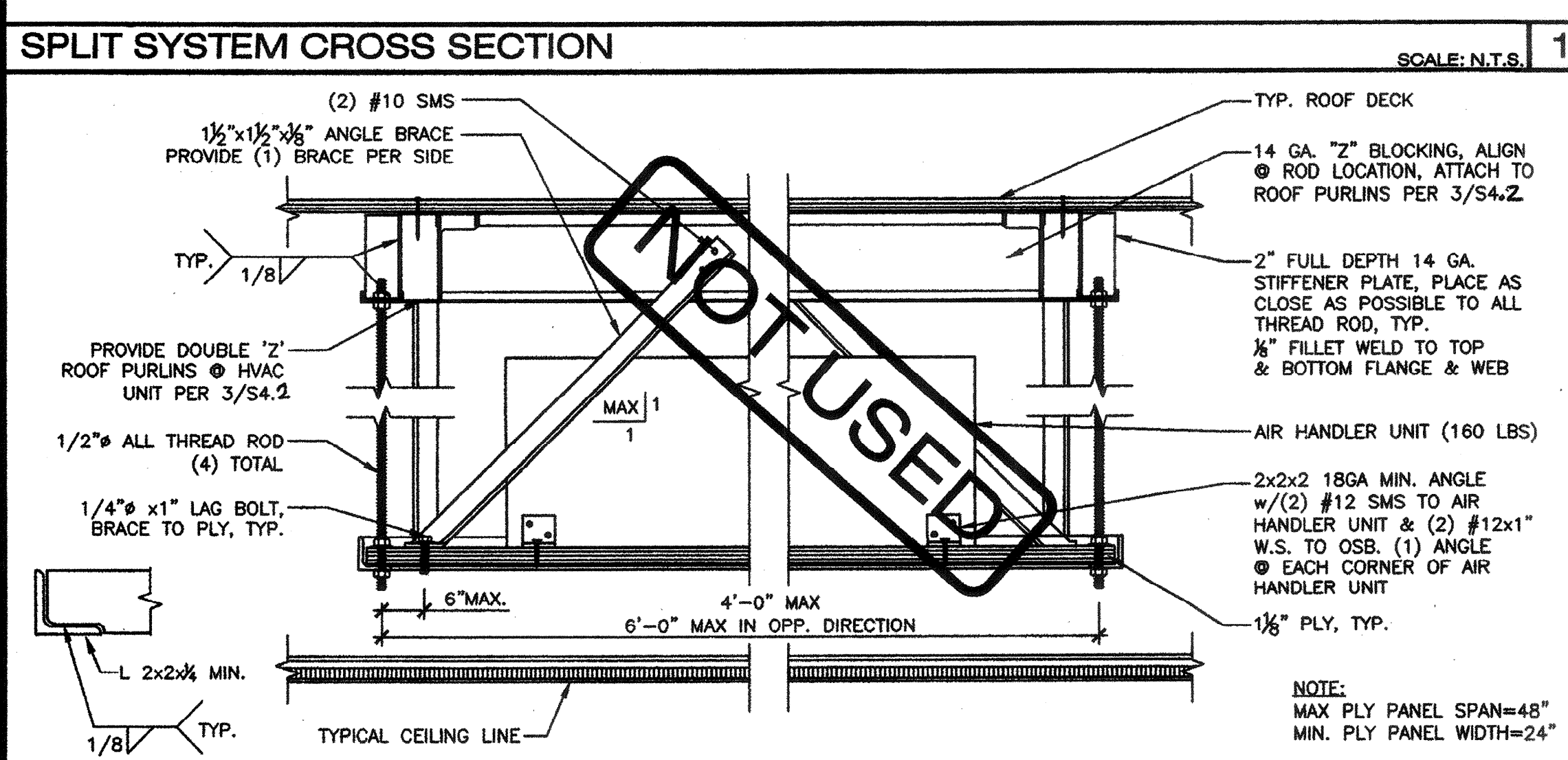
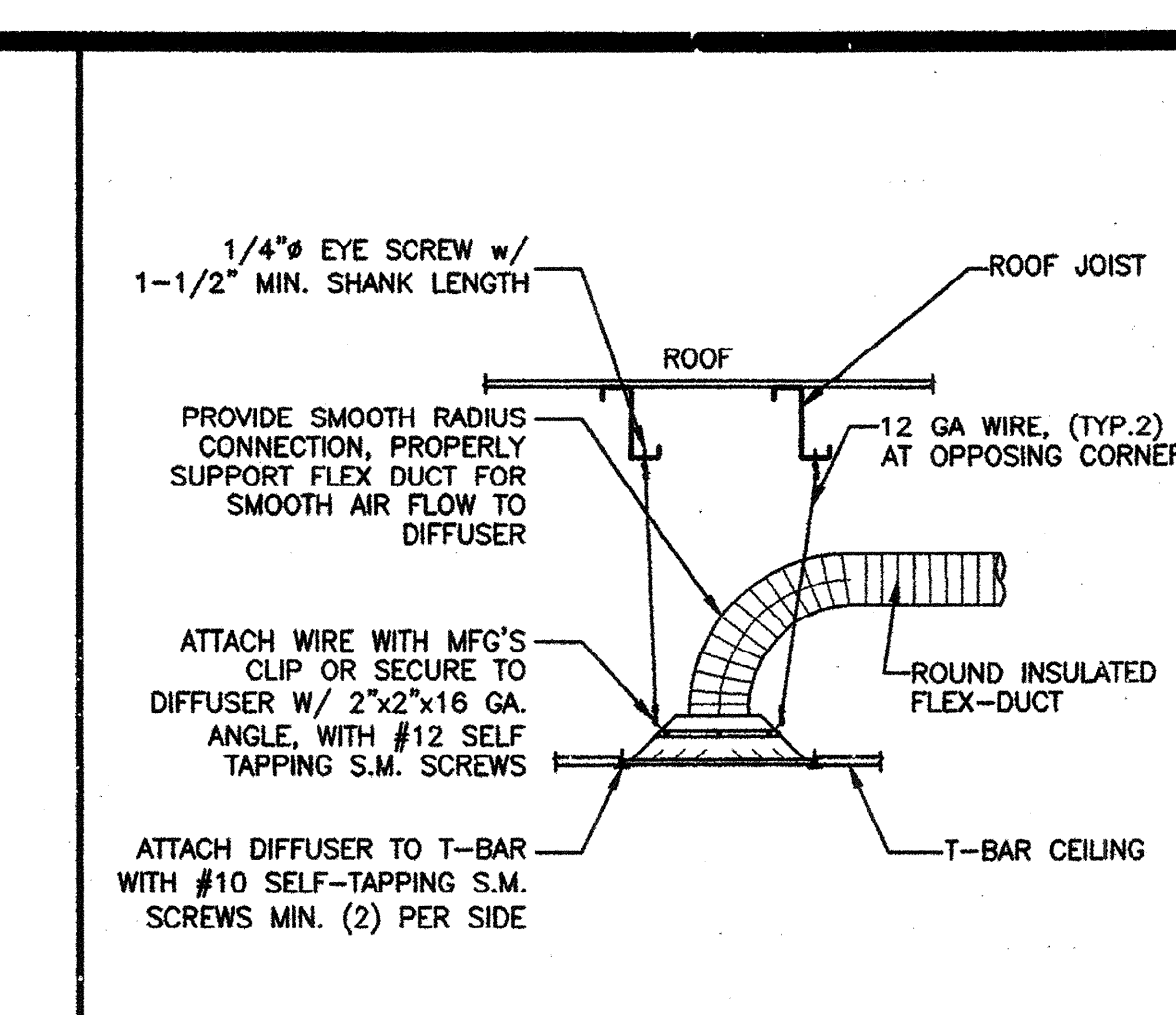
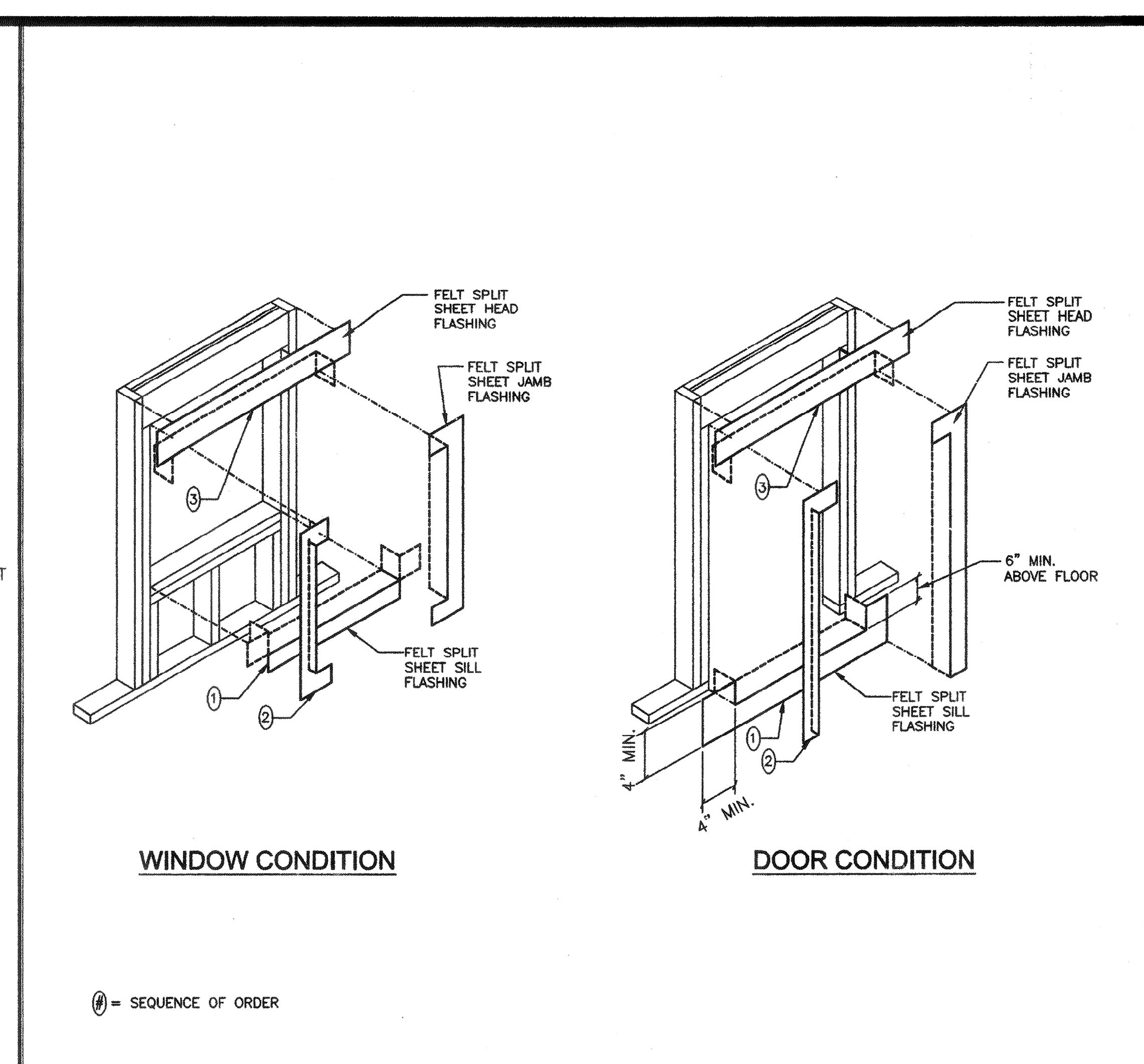
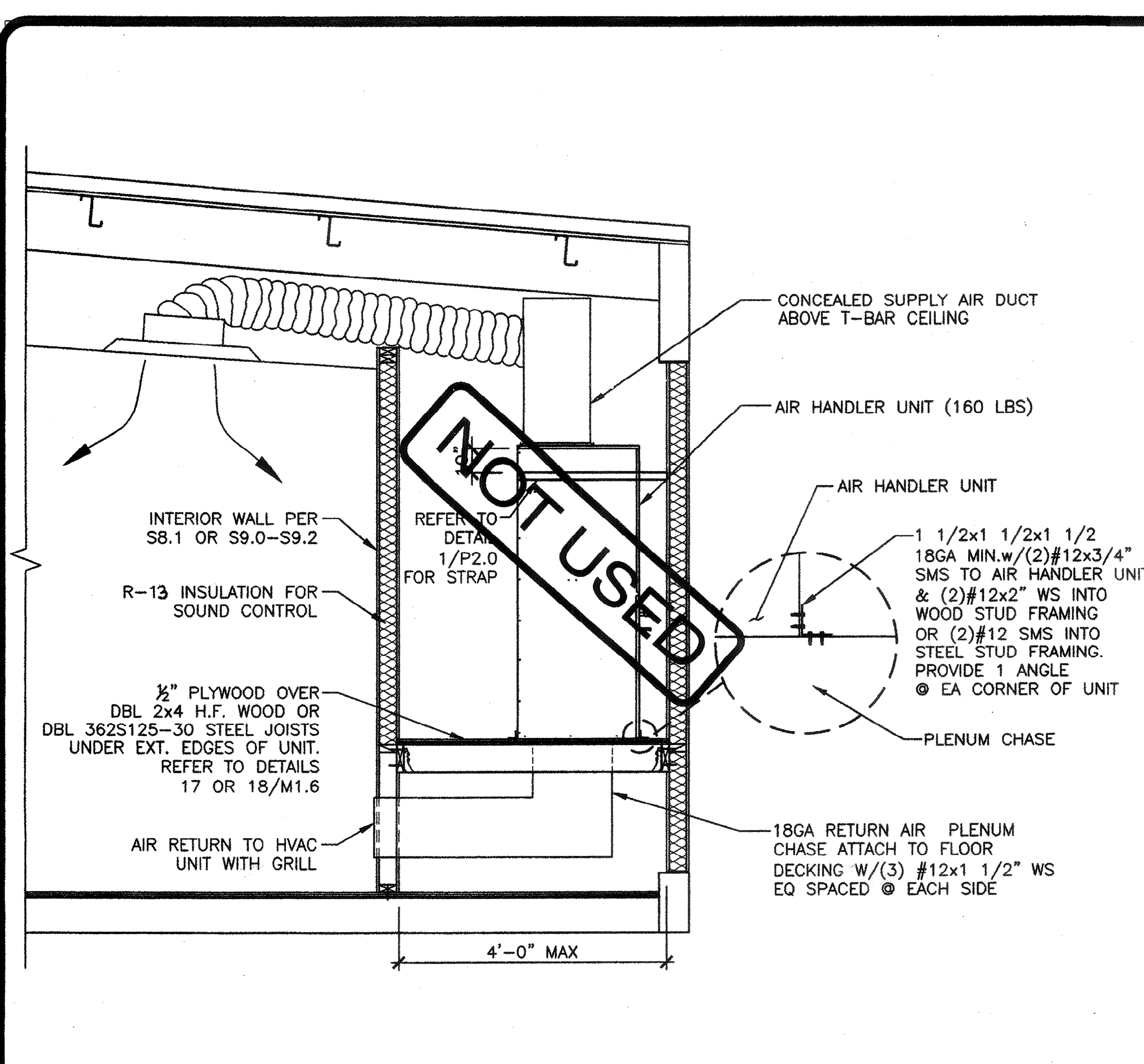


PRE-CHECK (PC) DOCUMENT - CODE: 2013 CBC
 A SEPARATE PROJECT APPLICATION FOR CONSTRUCTION IS REQUIRED

REVISIONS

DRAWN BY: AS NOTED
 SCALE: AS NOTED
 DATE: SHEET NUMBER

M1.5



LIGHT FIXTURE ATTACHMENT DETAIL GYPSUM BOARD CEILING OPTION SCALE: N.T.S. 6

LIGHT FIXTURE ATTACHMENT DETAIL W/METAL STUDS GYPSUM BOARD CEILING OPTION SCALE: N.T.S. 6A

GAS CONNECTION DETAIL SCALE: N.T.S. 10