

MODULAR MANUFACTURER PROPRIETARY STATEMENT

THESE DRAWINGS AND THE MATERIAL CONTAINED THEREIN ARE THE PROPERTY OF AMERICAN MODULAR SYSTEMS, INC. (AMS) AND SHALL NOT BE REPRODUCED, COPIED OR OTHERWISE DISPOSED OF DIRECTLY OR INDIRECTLY AND SHALL NOT BE USED IN WHOLE OR IN PART TO ASSIST IN THE MAKING OF OR FOR THE PURPOSE OF FURNISHING ANY INFORMATION FOR THE MAKING OF DRAWINGS, PRINTS, APPARATUS OR PARTS THEREOF WITHOUT THE FULL KNOWLEDGE AND WRITTEN CONSENT OF AMS. ALL PATENTABLE MATERIAL CONTAINED HEREIN AND ORIGINATING WITH AMS SHALL BE THE SOLE PROPERTY OF AMS.

PRE-CHECKED SET NAME

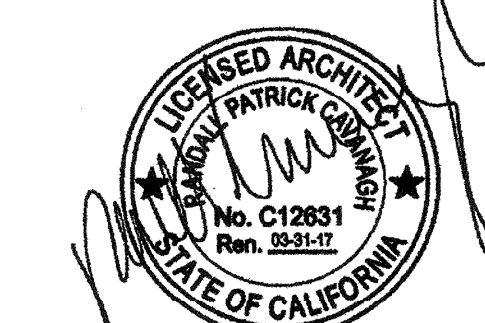
24' x 40' THRU 120' x 40'  
2:12 PITCHED ROOF

SITE SPECIFIC PROJECT NAME

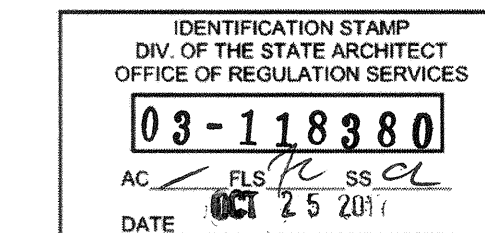
SHEET TITLE

MECHANICAL BUILDING  
SECTIONS & CEILING DETAILS

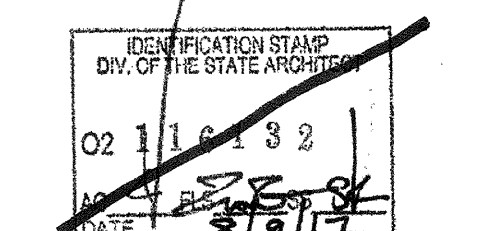
MANUFACTURER PROFESSIONAL OF RECORD ON PC



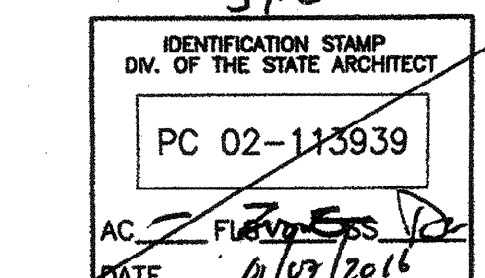
AGENCY TRACKING NO. 63321-241  
FILE NO. 15-6



PROJECT SPECIFIC STATE AGENCY APPROVAL



ORIGINAL PC STATE AGENCY APPROVAL



PRE-CHECK (PC) DOCUMENT - CODE: 2013 CBC  
A SEPARATE PROJECT APPLICATION FOR CONSTRUCTION IS REQUIRED

REVISIONS

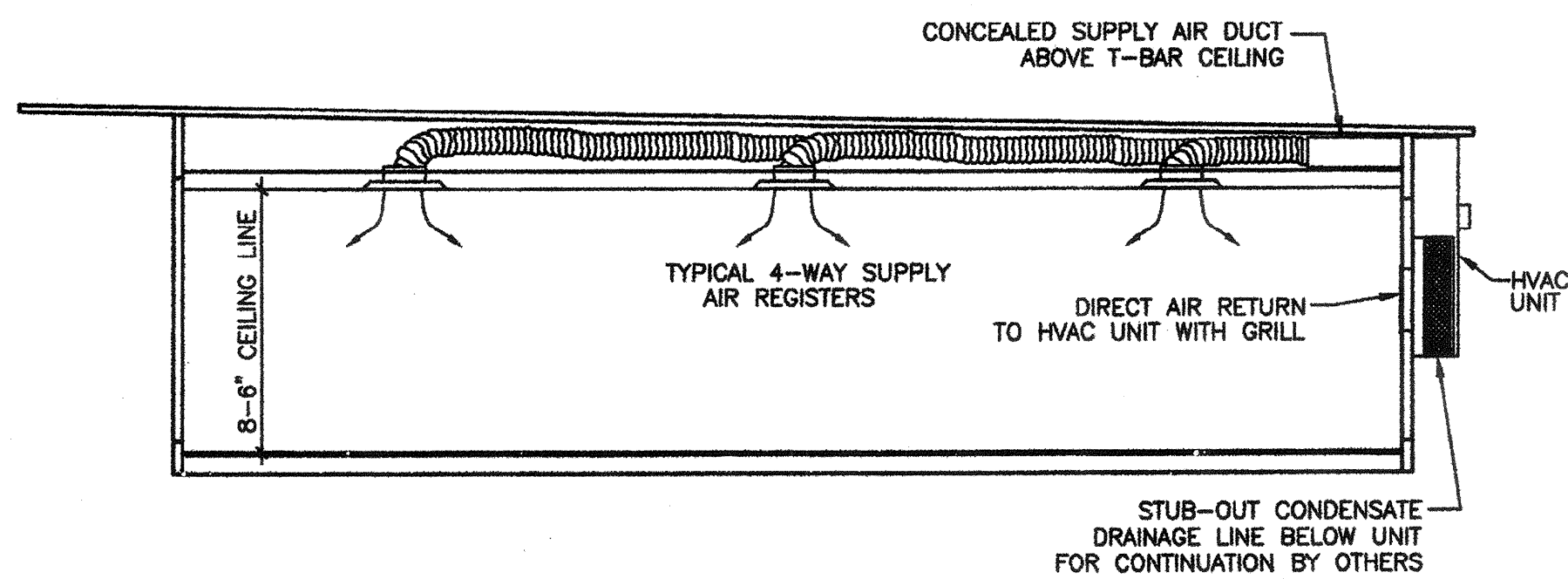

DRAWN BY:

SCALE: AS NOTED

DATE:

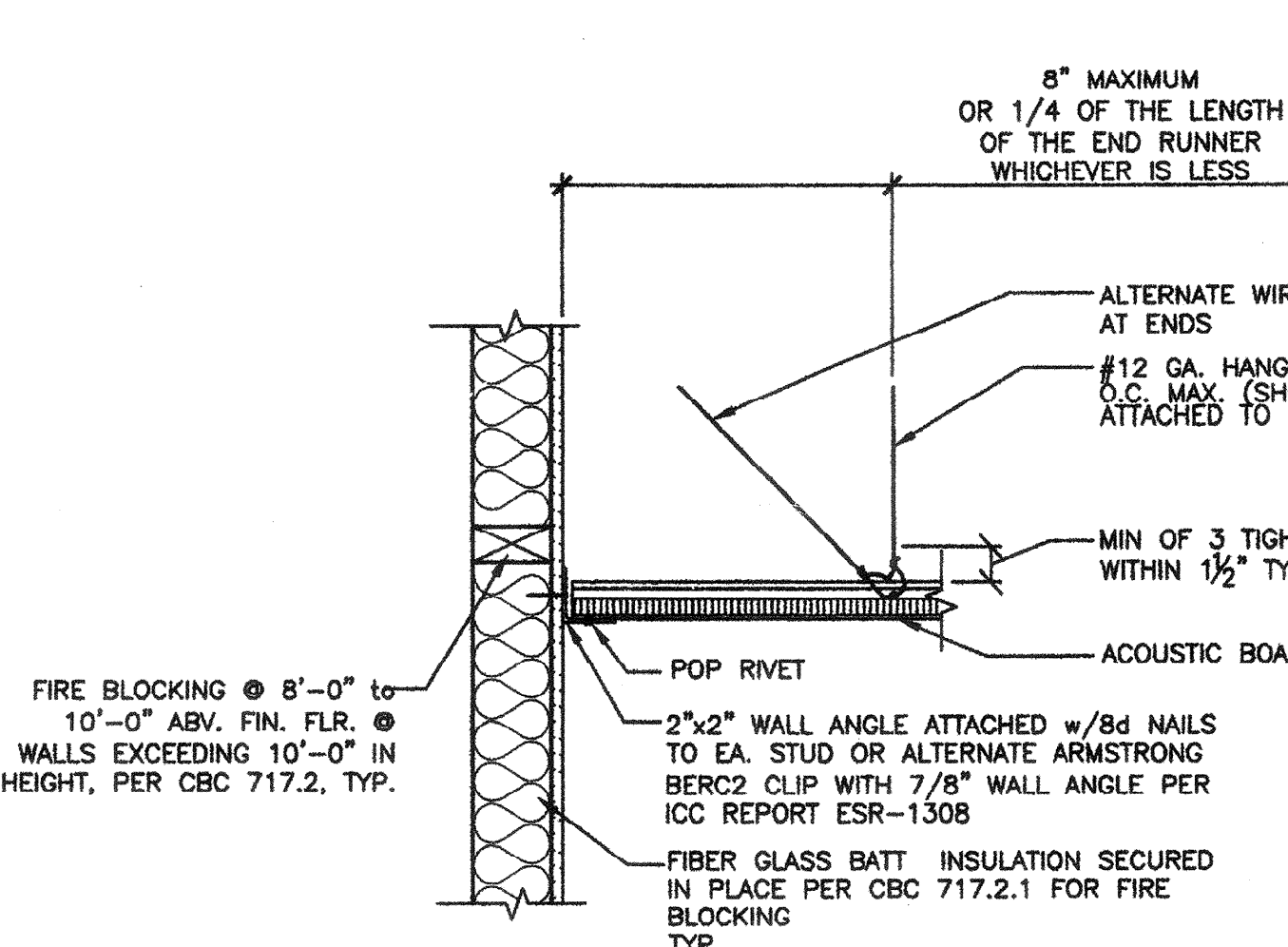
SHEET NUMBER

M1.4



TYPICAL MECHANICAL DETAIL SECTION

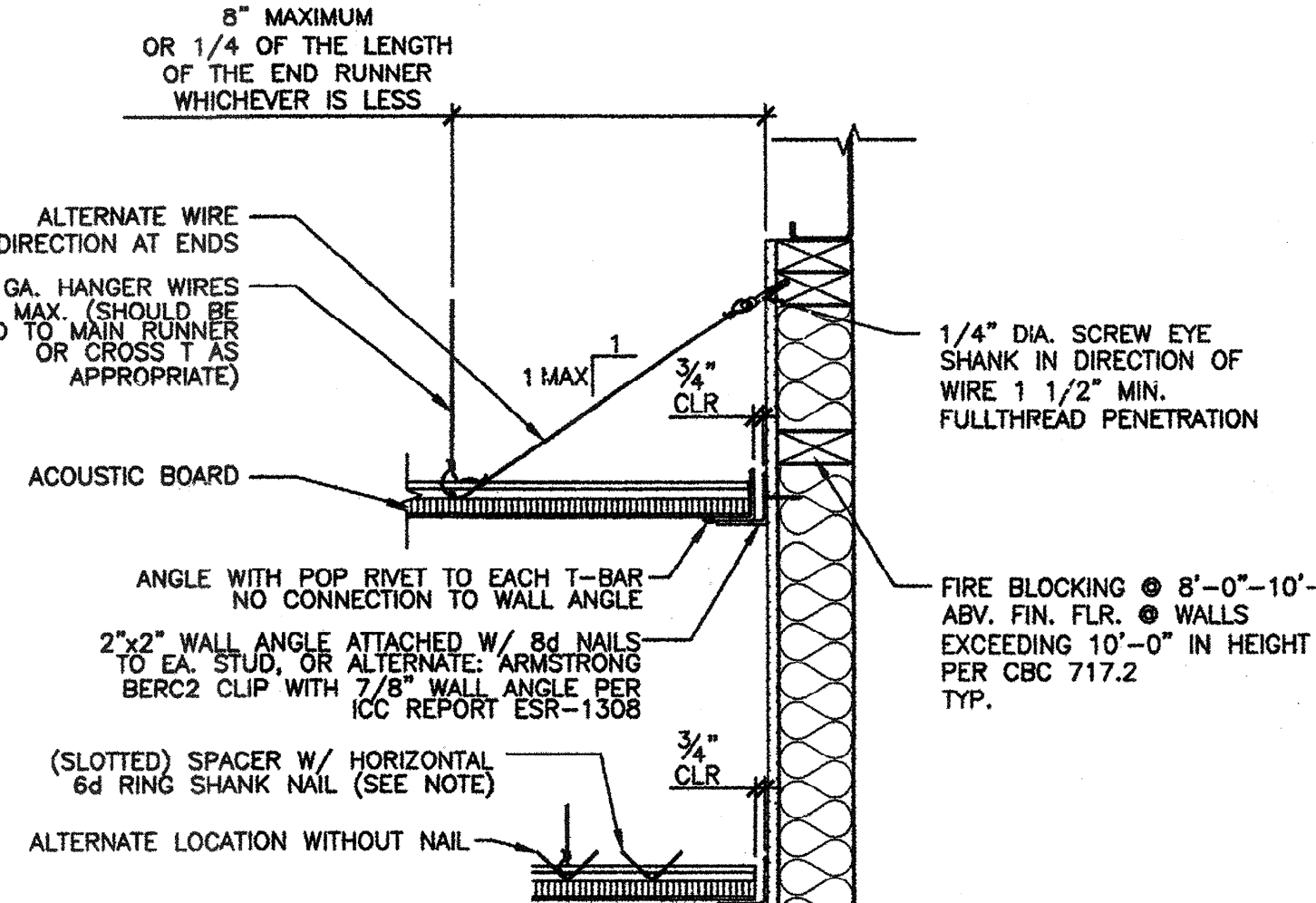
SCALE 3/16" = 1'-0"



FIRE BLOCKING @ 8'-0" to 10'-0" ABV. FIN. FLR. @ WALLS EXCEEDING 10'-0" IN HEIGHT, PER CBC 717.2, TYP.

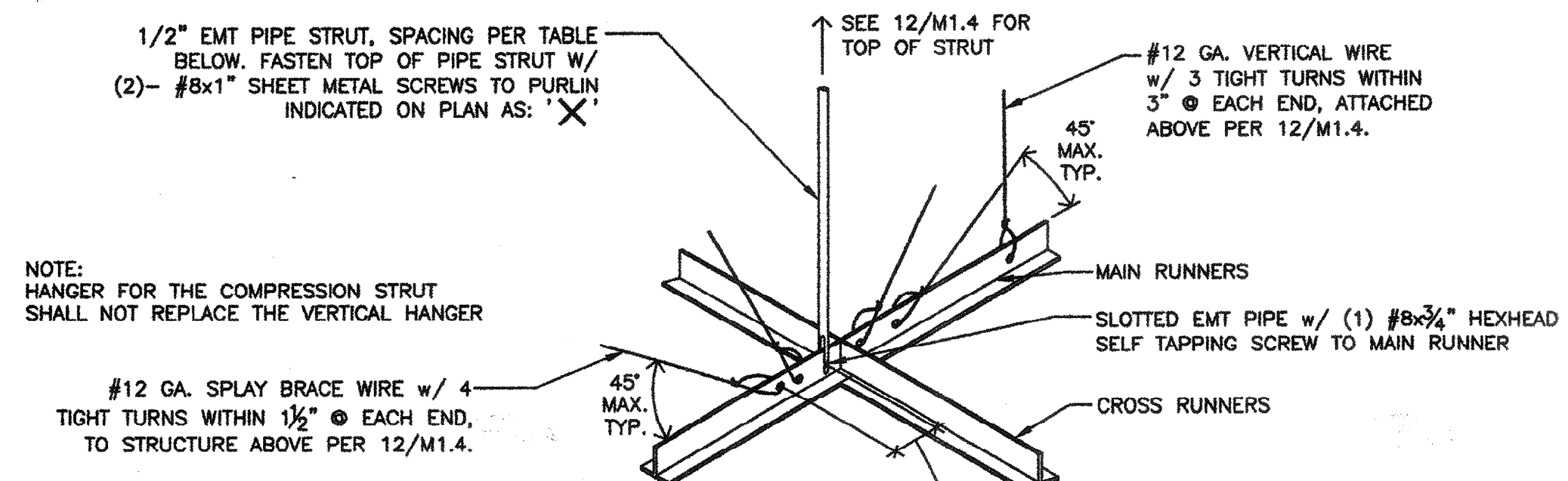
(A) FIXED END

NOTE: NAILS AT THE END OF HORIZONTAL STRUTS ARE TO BE PLACED WITH NAIL HEAD TOWARD CENTERLINE OF SPAN OF STRUT.



8" MAXIMUM OR 1/4 OF THE LENGTH OF THE END RUNNER WHICHEVER IS LESS

(B) FREE END

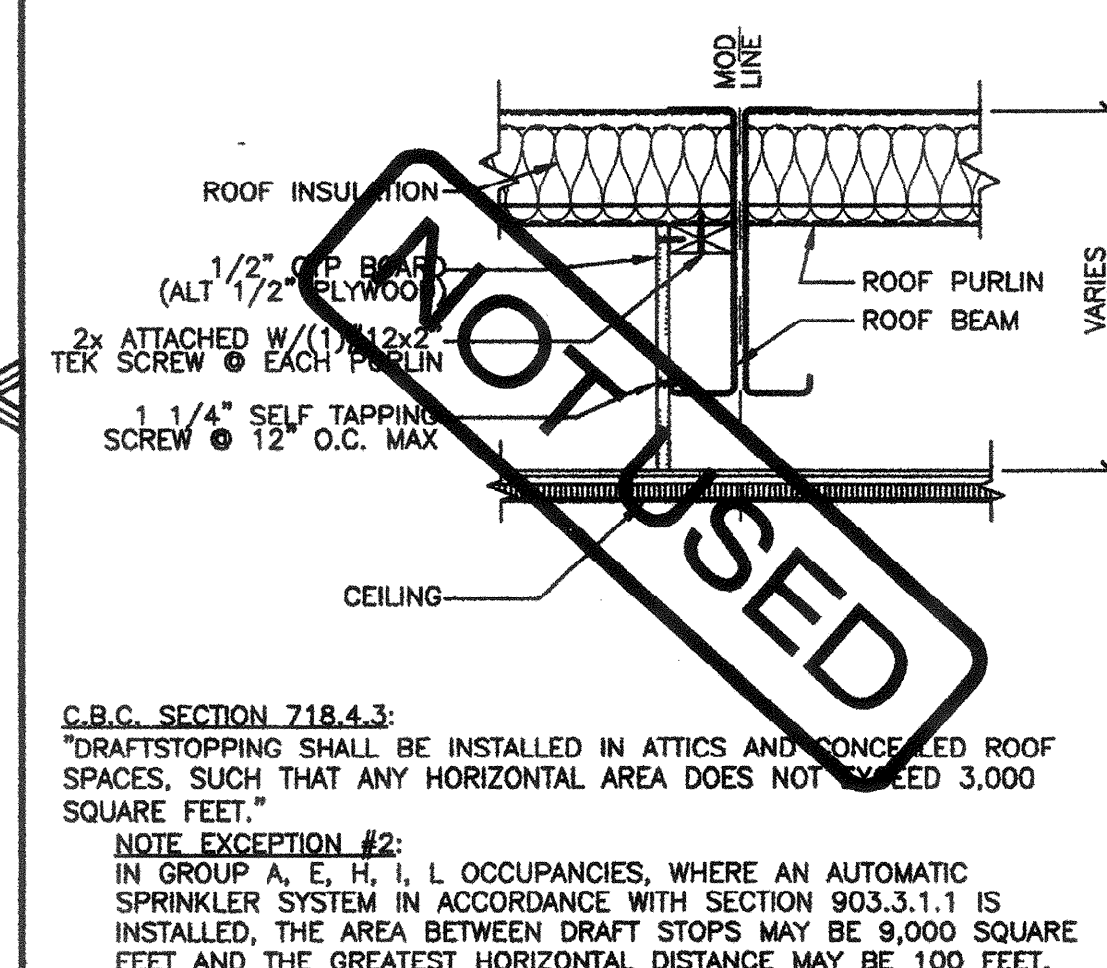


STRUT/SPLAY WIRE ASSEMBLY DETAIL

SCALE N.T.S.

CEILING ATTACHMENTS DETAIL

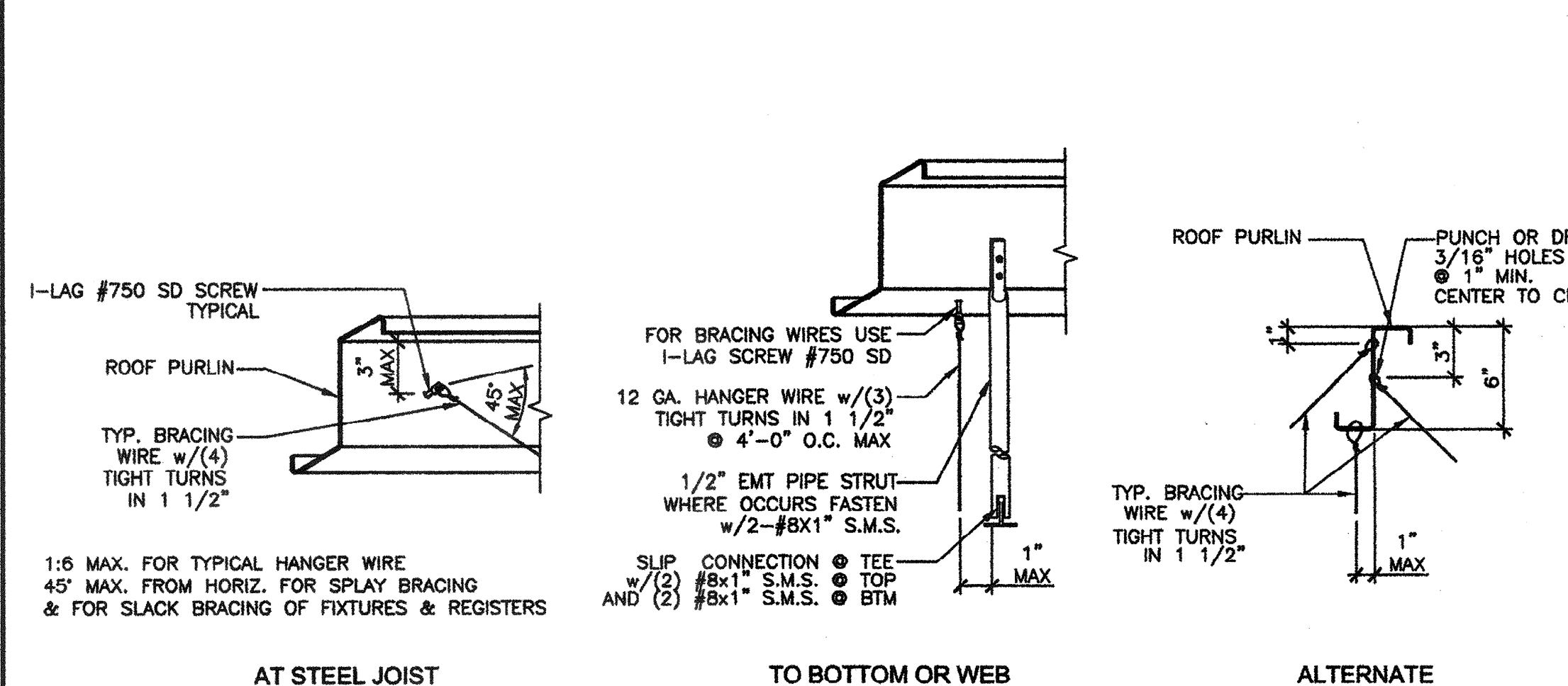
SCALE 1 1/2" = 1'-0"



C.B.C. SECTION 718.4.3: "DRAFTSTOPPING SHALL BE INSTALLED IN ATTICS AND CONCEALED ROOF SPACES, SUCH THAT ANY HORIZONTAL AREA DOES NOT EXCEED 3,000 SQUARE FEET."

DRAFT STOP DETAIL

SCALE 1 1/2" = 1'-0"



AT STEEL JOIST OR RAFTER

TO BOTTOM OR WEB OF JOIST OR RAFTER

ALTERNATE WIRE CONNECTIONS

ALTERNATE WIRE CONNECTIONS

TO BOTTOM OF JOIST OR RAFTER

FLOOR MOUNTED WATER HEATER SUPPORT DETAIL

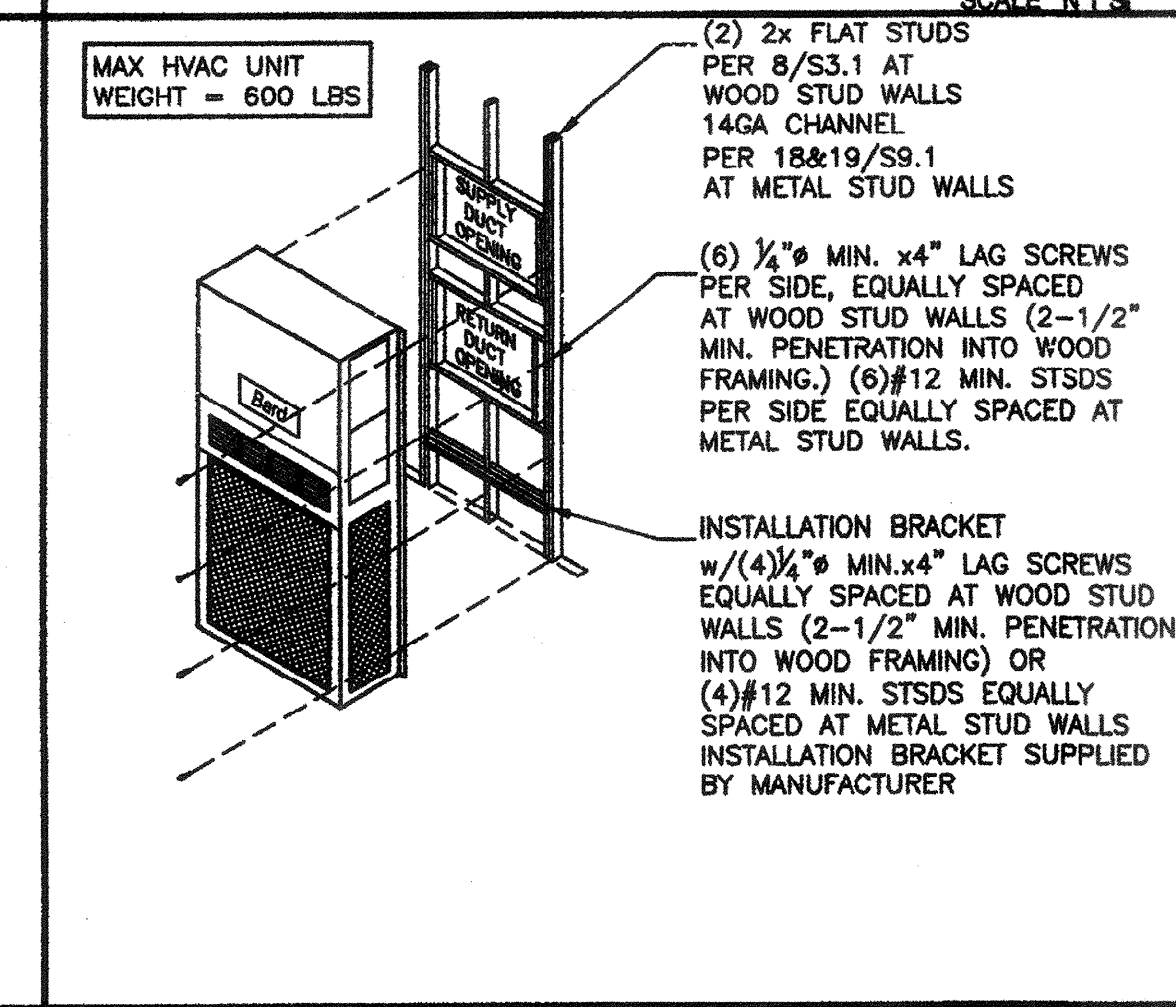
SCALE N.T.S.

LIGHT FIXTURE ATTACHMENT DETAIL

SCALE N.T.S.

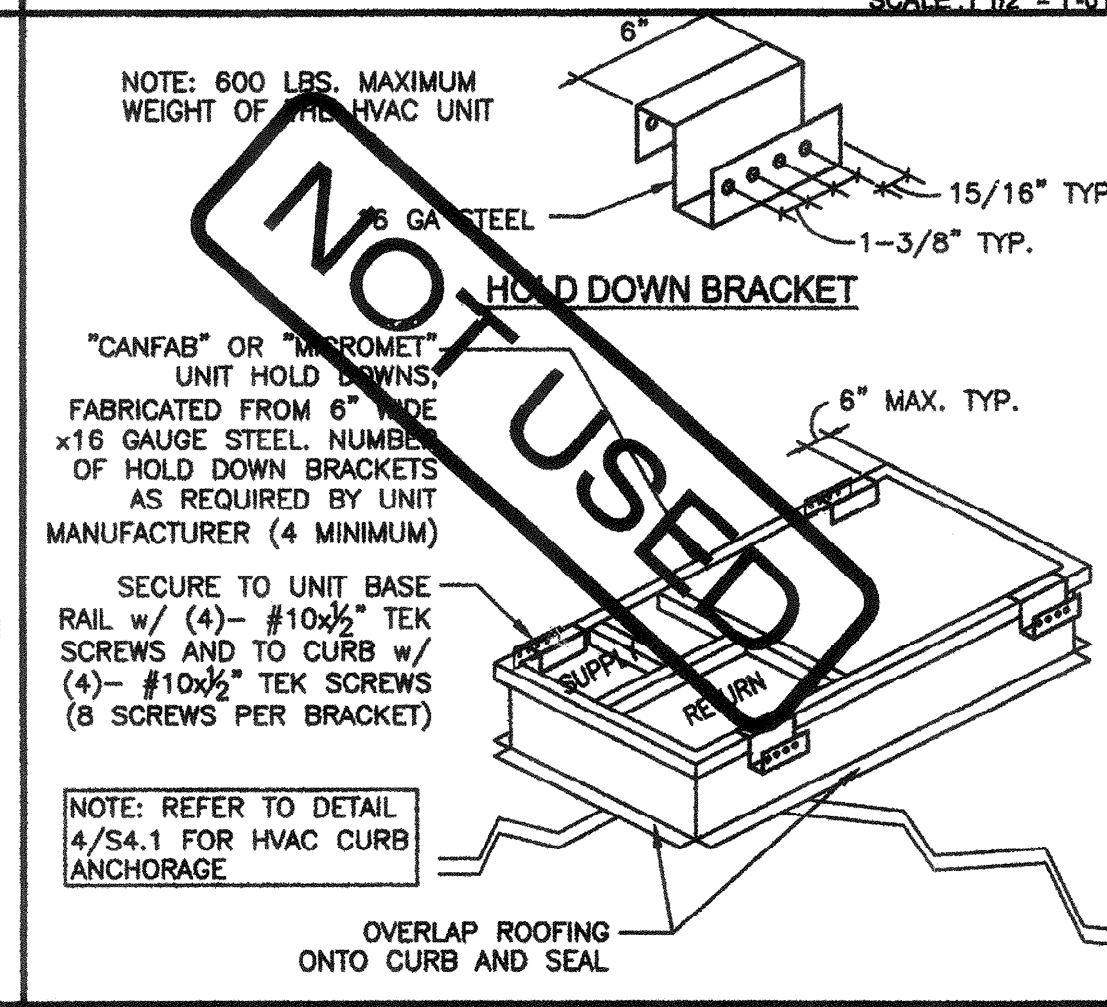
INTERIOR HVAC ANCHORAGE

SCALE N.T.S.



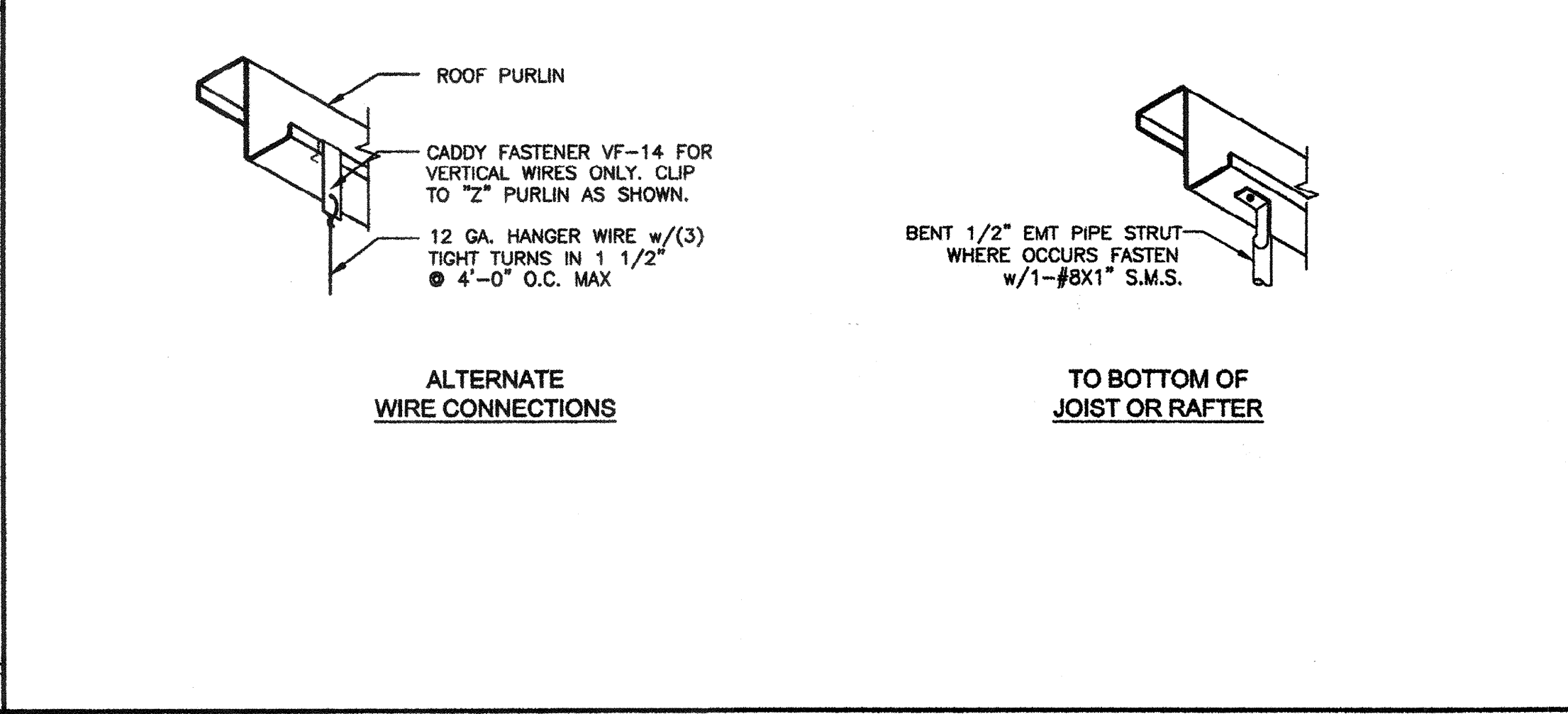
WALL MOUNT HVAC ANCHORAGE

SCALE N.T.S.



ROOF CURB ELEVATION-OPTIONAL

SCALE N.T.S.



CONNECTION TO PURLINS DETAIL

SCALE 1 1/2" = 1'-0"

INTERIOR HVAC ANCHORAGE

SCALE N.T.S.

WALL MOUNT HVAC ANCHORAGE

SCALE N.T.S.

ROOF CURB ELEVATION-OPTIONAL

SCALE N.T.S.

CONNECTION TO PURLINS DETAIL

SCALE 1 1/2" = 1'-0"