

MODULAR MANUFACTURER PROPRIETARY STATEMENT  
THESE DRAWINGS AND THE MATERIAL CONTAINED THEREIN ARE THE PROPERTY OF AMERICAN MODULAR SYSTEMS, INC. (AMS) AND SHALL NOT BE REPRODUCED, COPIED OR OTHERWISE DISPOSED OF DIRECTLY OR INDIRECTLY AND SHALL NOT BE USED IN WHOLE OR IN PART TO ASSIST IN THE MAKING OF OR FOR THE PURPOSE OF FURNISHING ANY INFORMATION FOR THE MAKING OF DRAWINGS, PRINTS, APPARATUS OR PARTS THEREOF WITHOUT THE FULL KNOWLEDGE AND WRITTEN CONSENT OF AMS. ALL PATENTABLE MATERIAL CONTAINED HEREIN AND ORIGINATING WITH AMS SHALL BE THE SOLE PROPERTY OF AMS.

PRE-CHECKED SET NAME

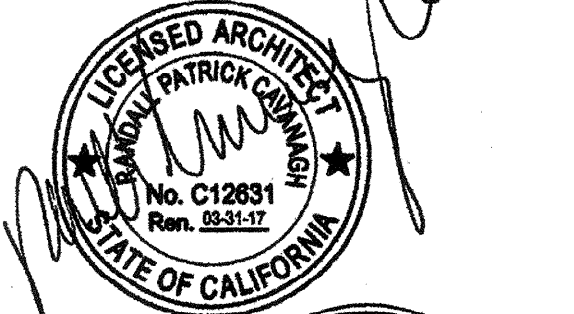
24' x 40' THRU 120' x 40'  
2:12 PITCHED ROOF

SITE SPECIFIC PROJECT NAME

SHEET TITLE

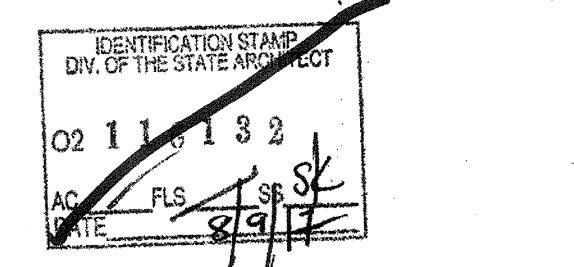
WOOD STUDS  
WALL FRAMING DETAILS

MANUFACTURER PROFESSIONAL OF RECORD ON PC

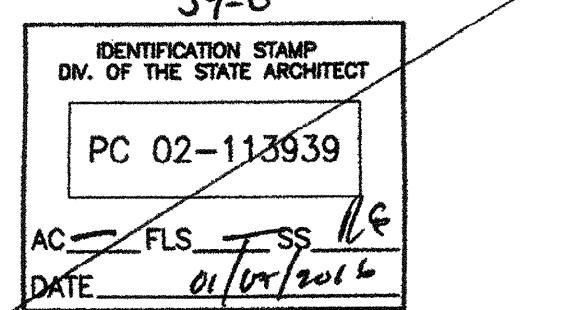


11/17/2015

PROJECT SPECIFIC STATE AGENCY APPROVAL



ORIGINAL PC STATE AGENCY APPROVAL



PRE-CHECK (PC) DOCUMENT - CODE: 2013 CBC  
A SEPARATE PROJECT APPLICATION FOR CONSTRUCTION IS REQUIRED

REVISIONS

NO.	DESCRIPTION

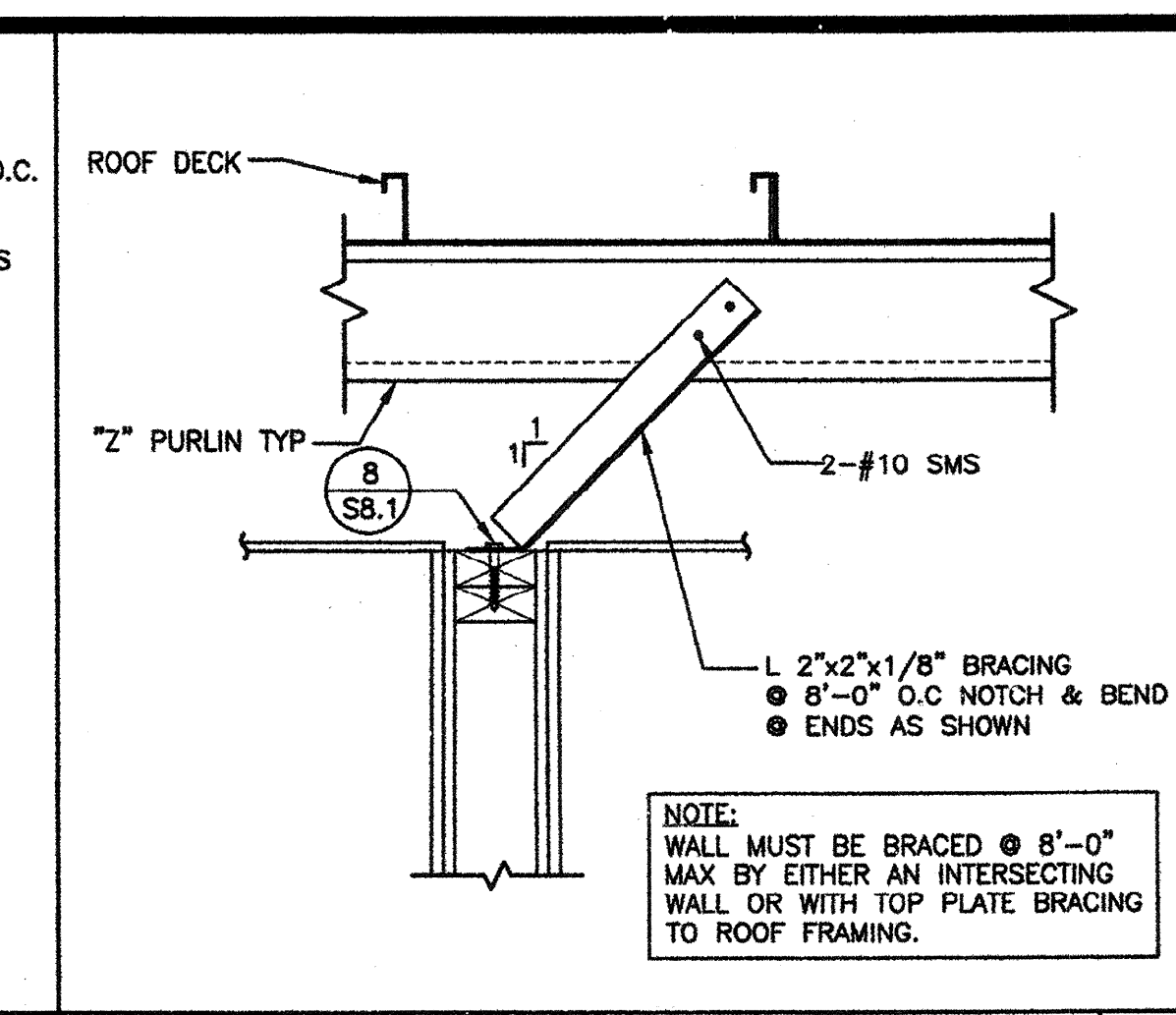
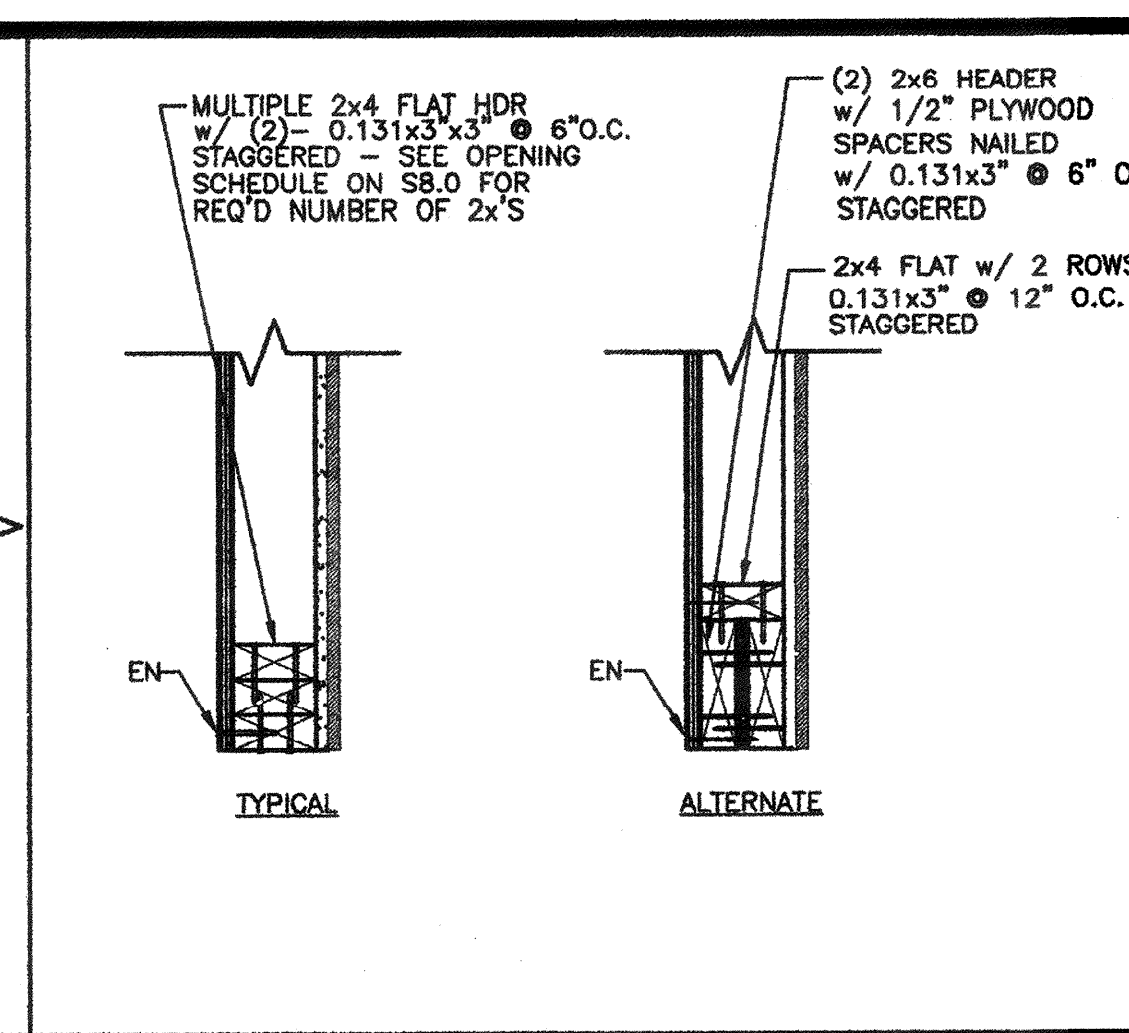
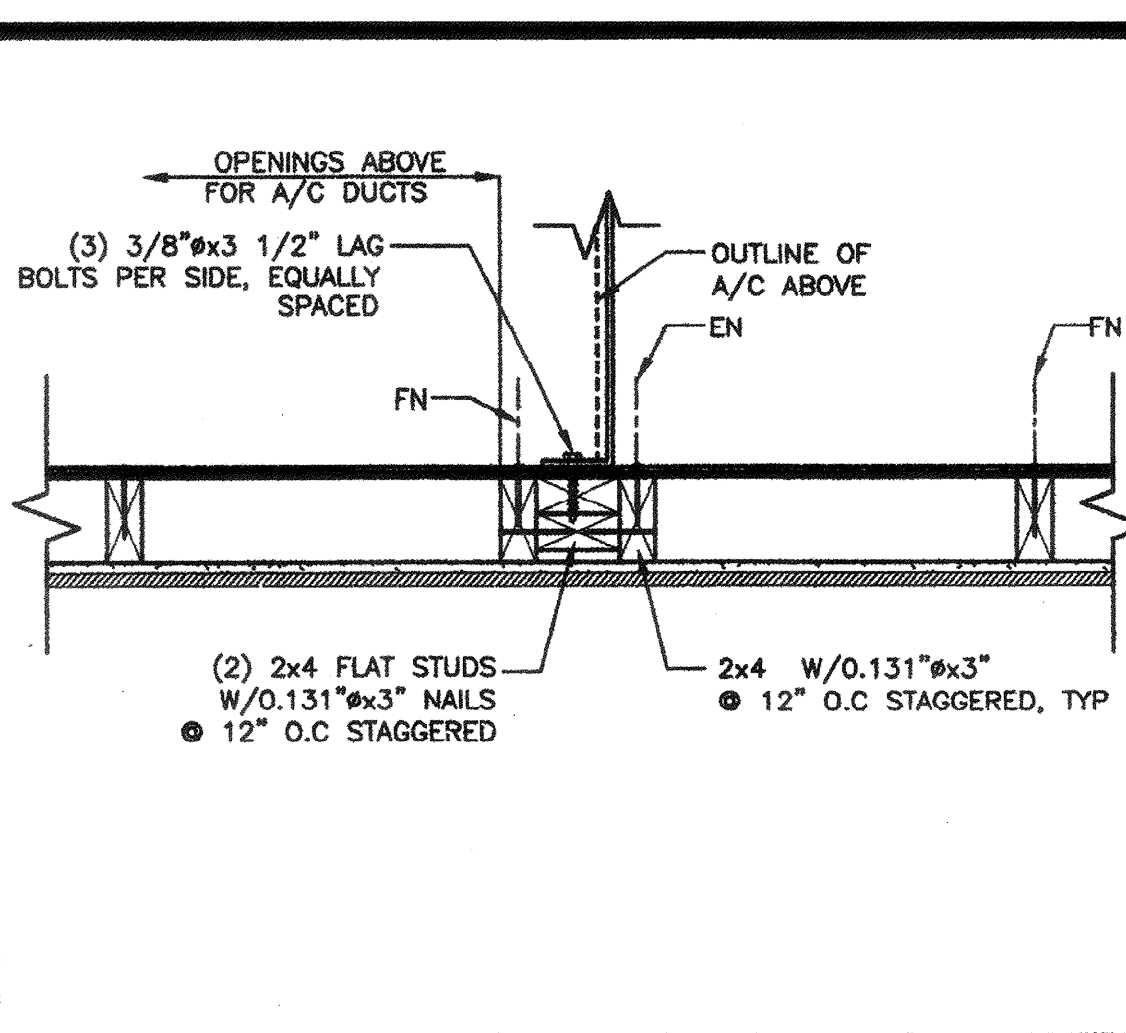
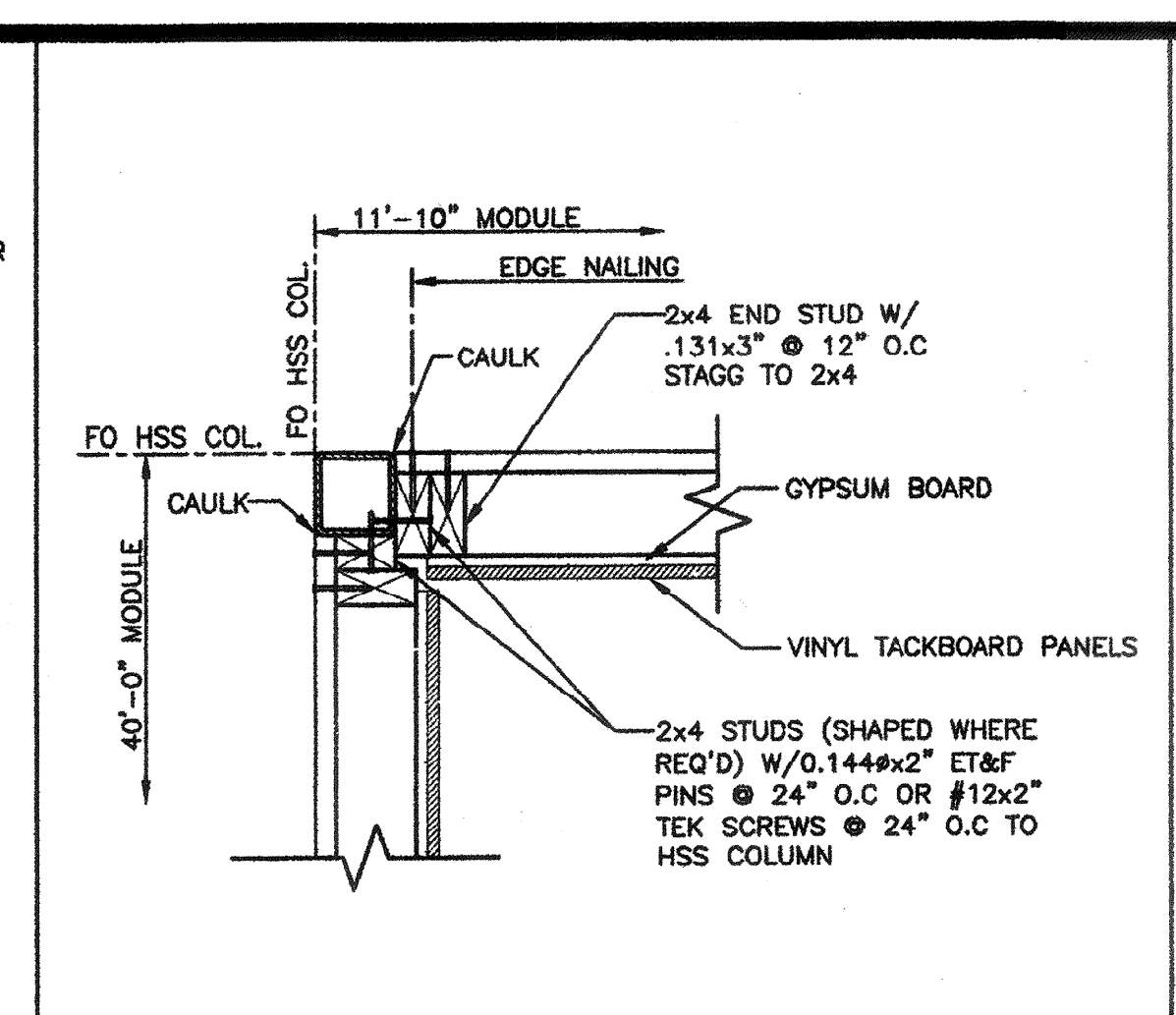
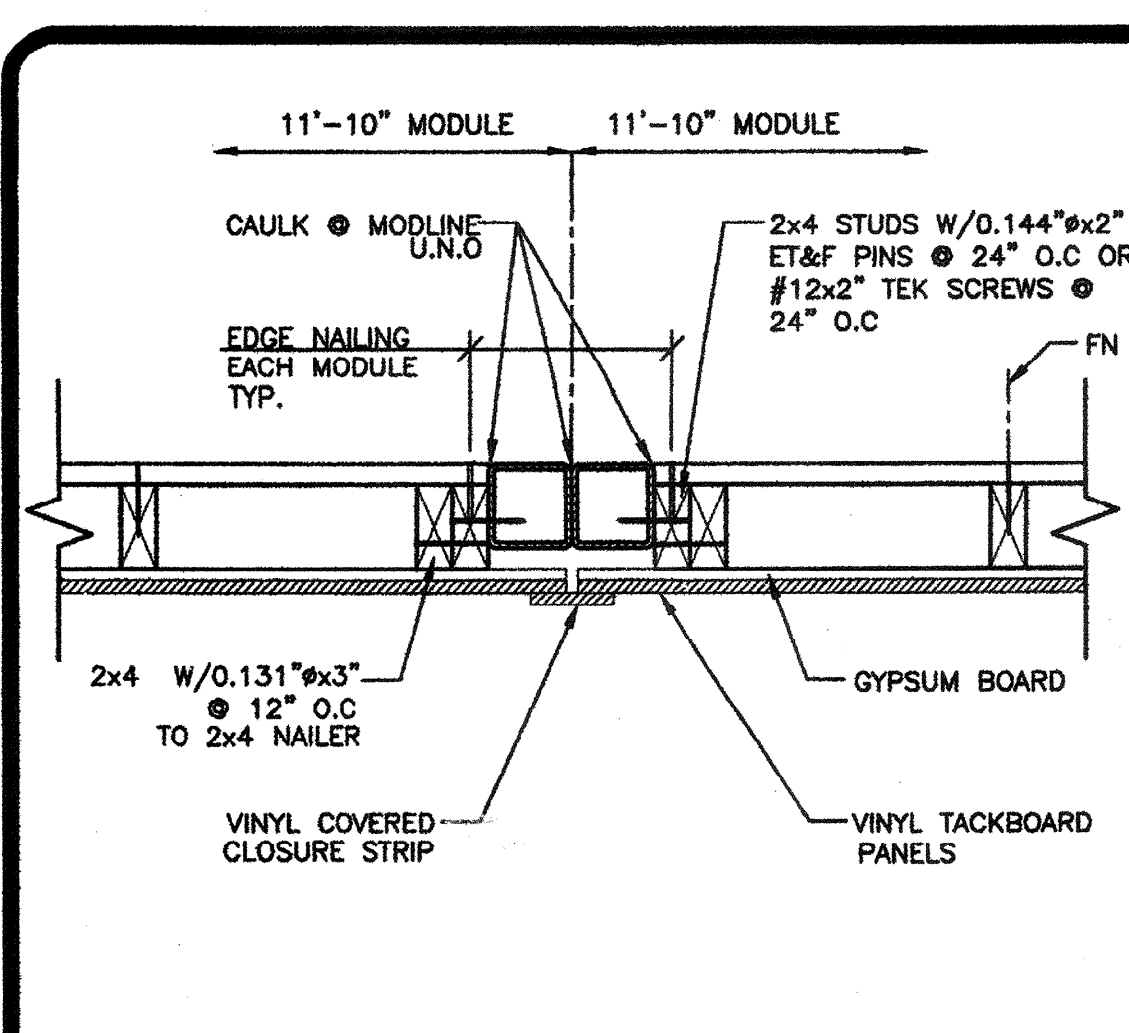
DRAWN BY:

SCALE: AS NOTED

DATE:

SHEET NUMBER

S8.1



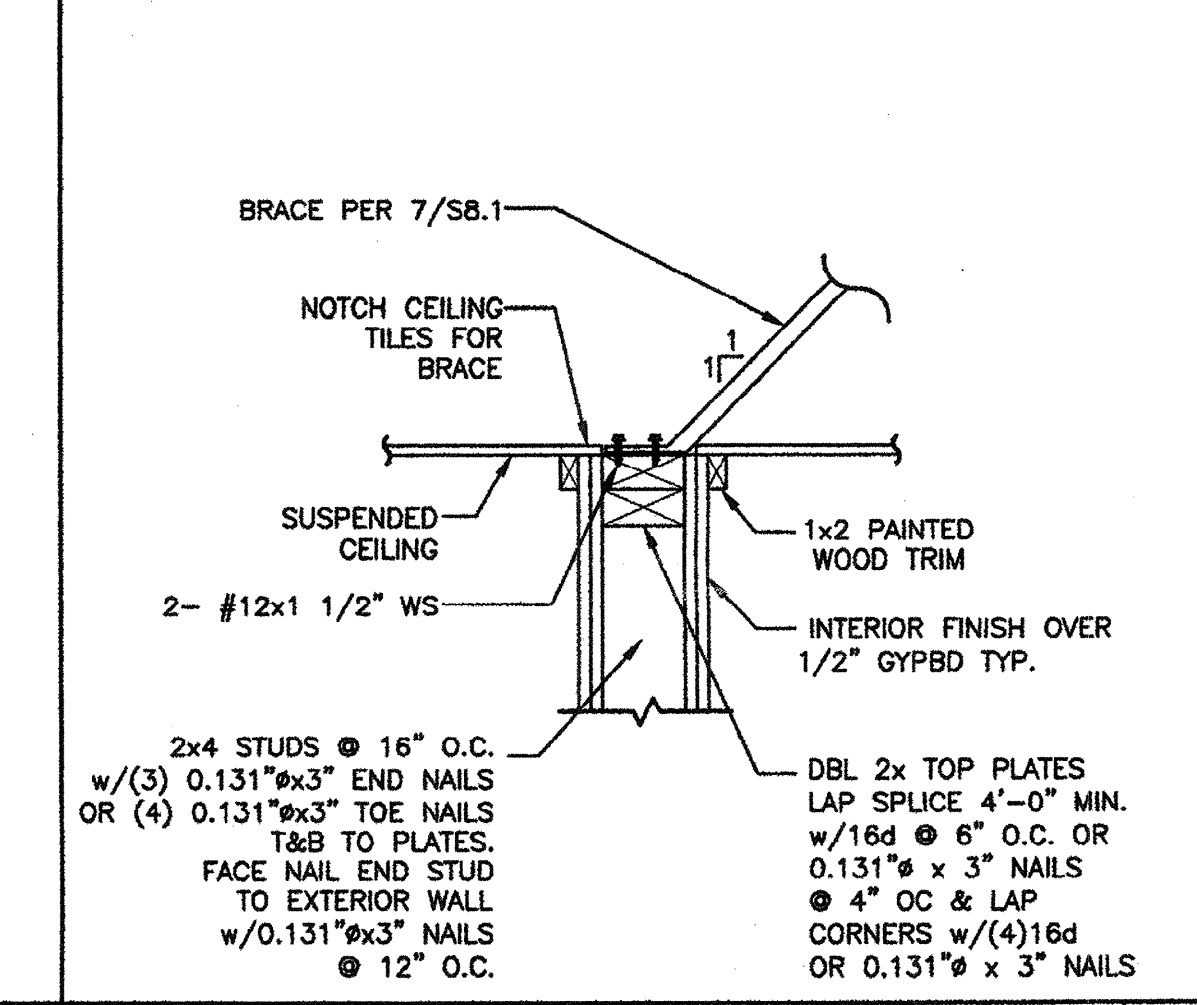
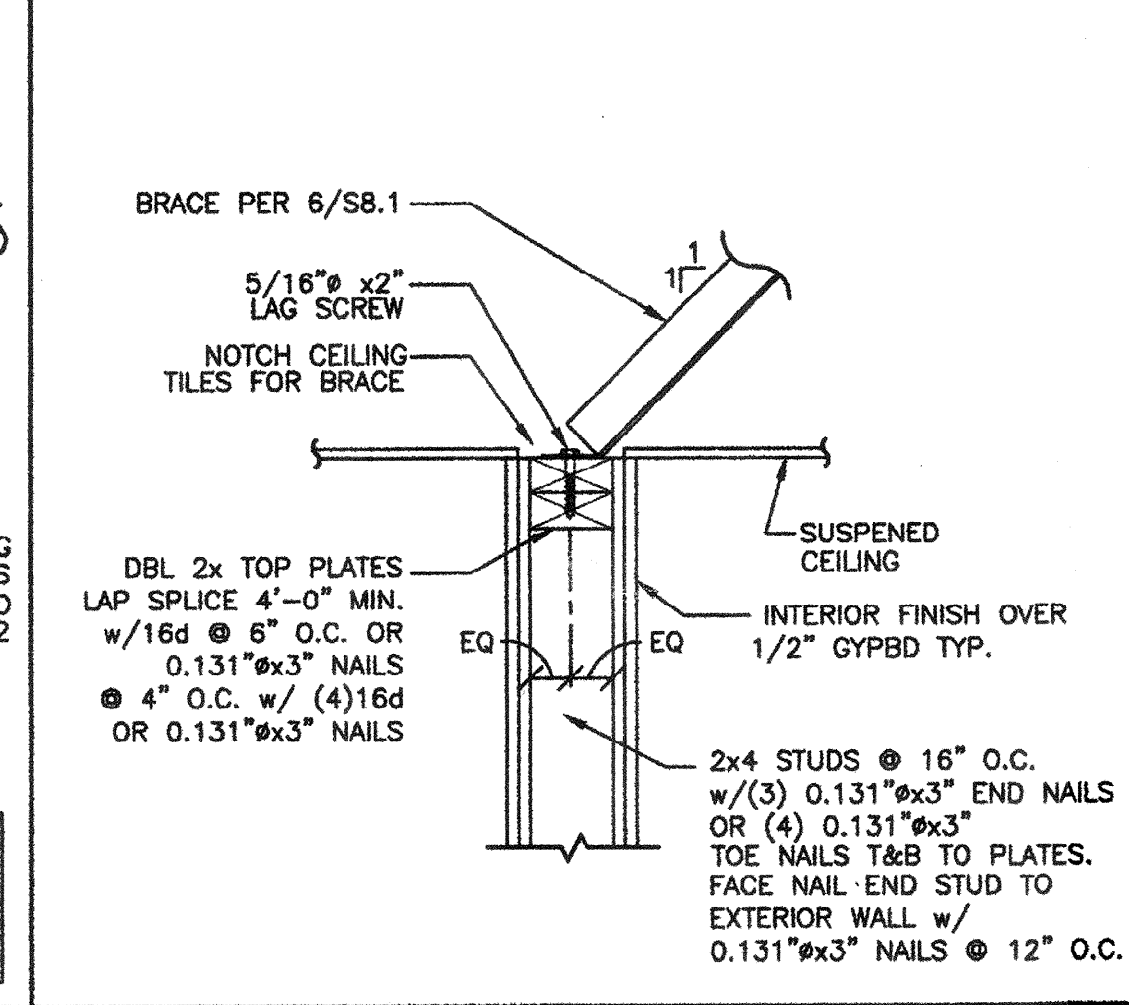
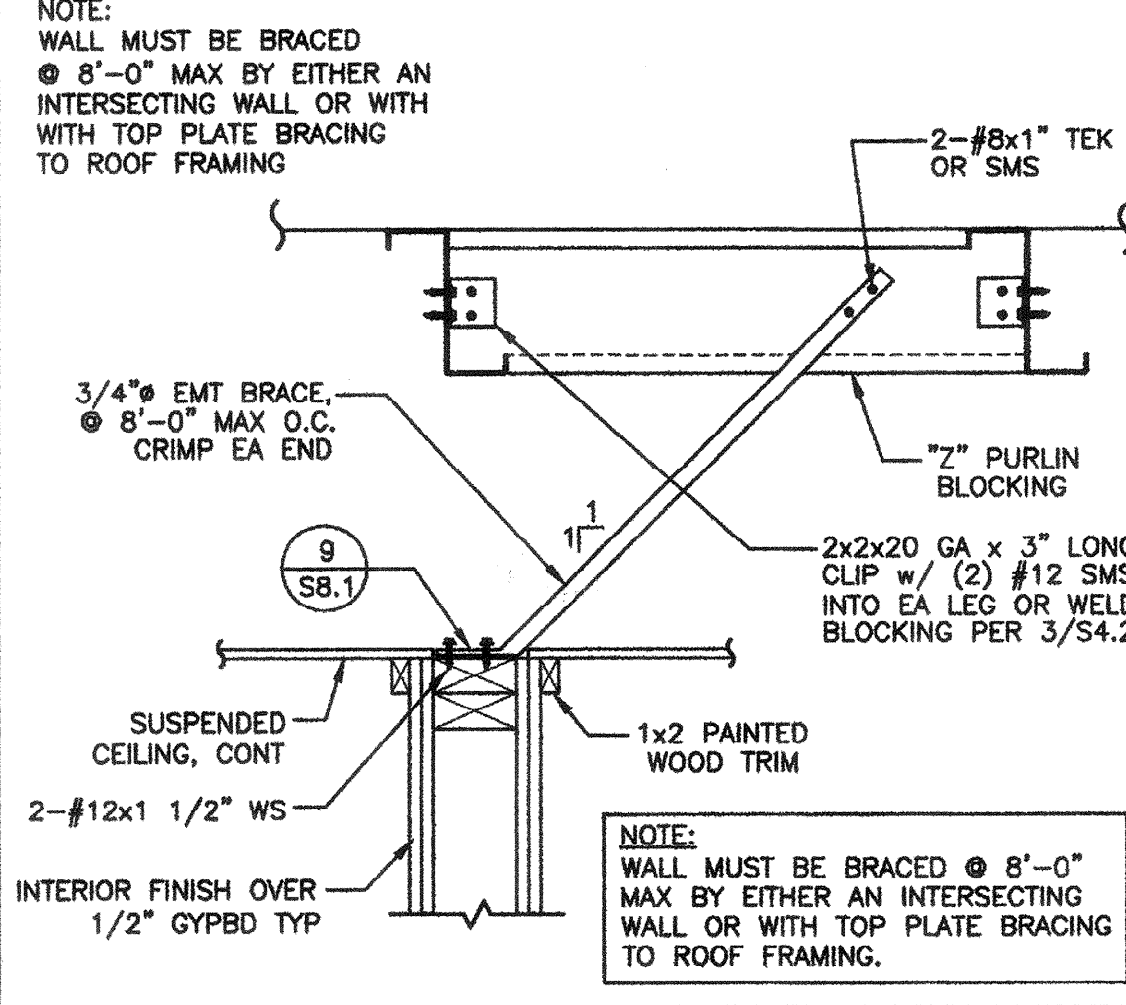
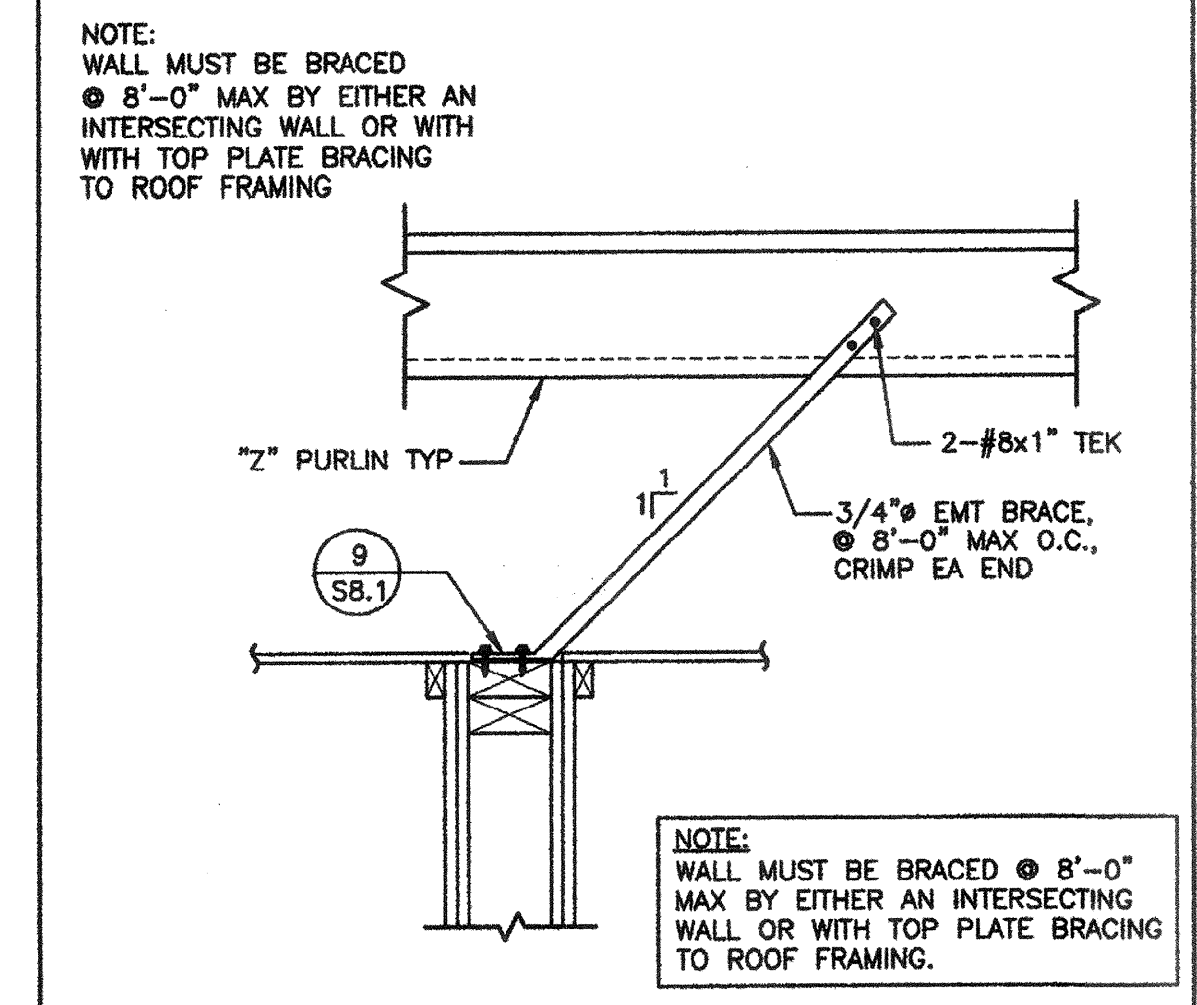
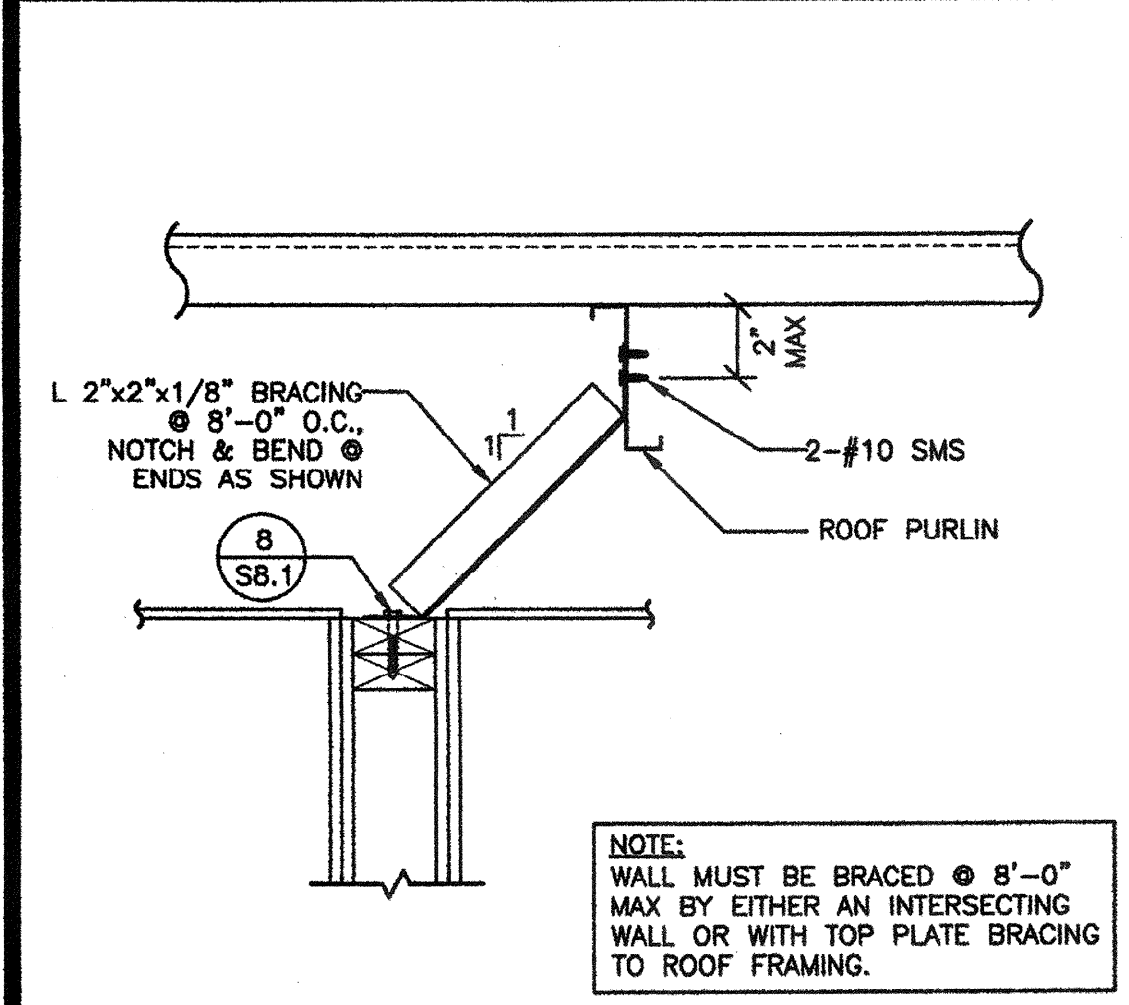
WALL TO COLUMN TYP. DETAIL @ MODLINES  
FOR COLUMN LOCATION REFER TO ARCH. DETAILS  
SCALE: 1 1/2"=1'-0"

WALL TO COLUMN TYP. DETAIL @ CORNER  
FOR COLUMN LOCATION REFER TO ARCH. DETAILS  
SCALE: 1 1/2"=1'-0"

WALL HUNG HVAC DETAIL ATTACHMENT  
SCALE: 1 1/2"=1'-0"

WALL HUNG DETAILS & ALTERNATE  
SCALE: 1 1/2"=1'-0"

TYP. INTERIOR WALL BRACING  
BRACE PARALLEL TO PURLINS  
SCALE: 1 1/2"=1'-0"



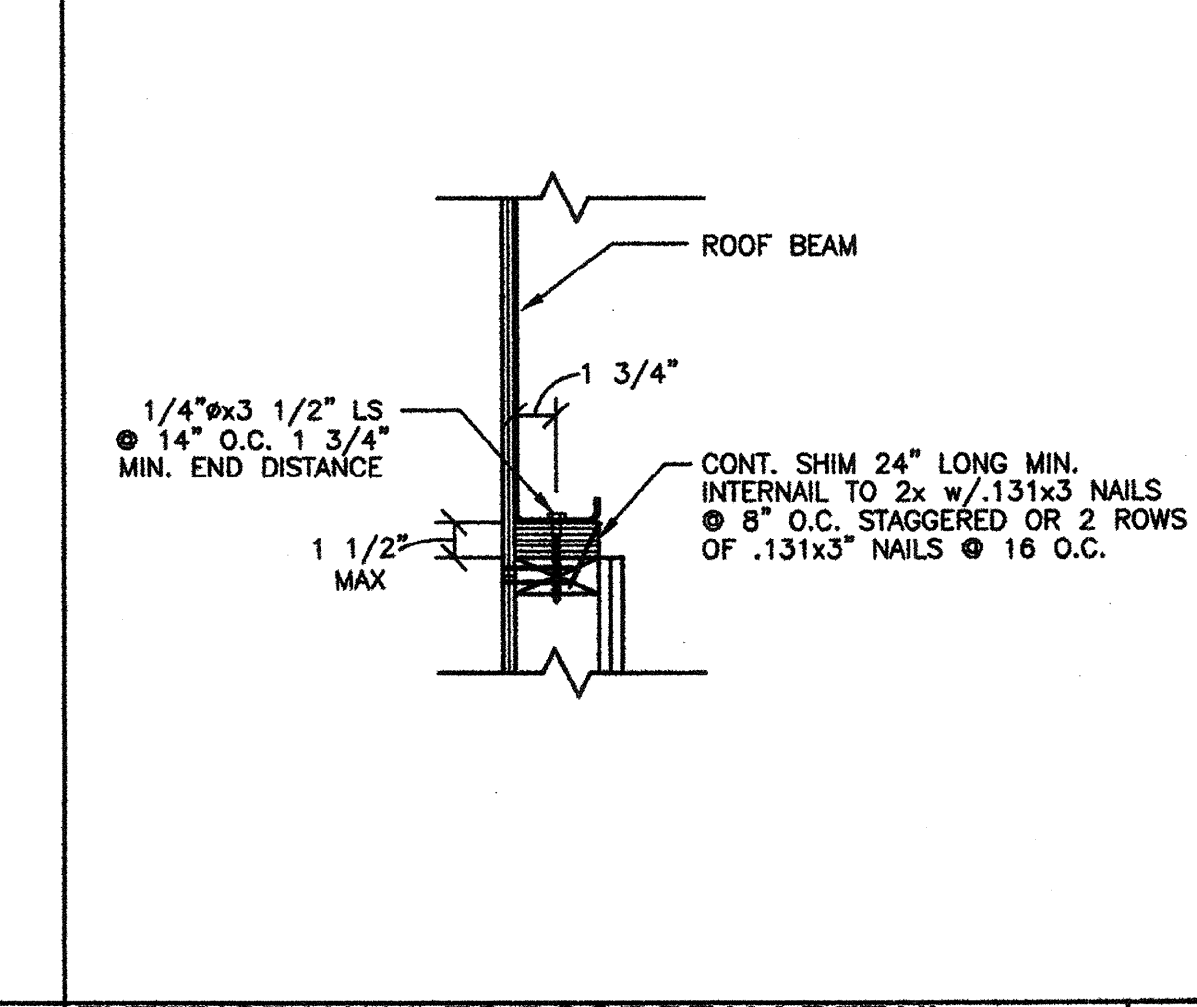
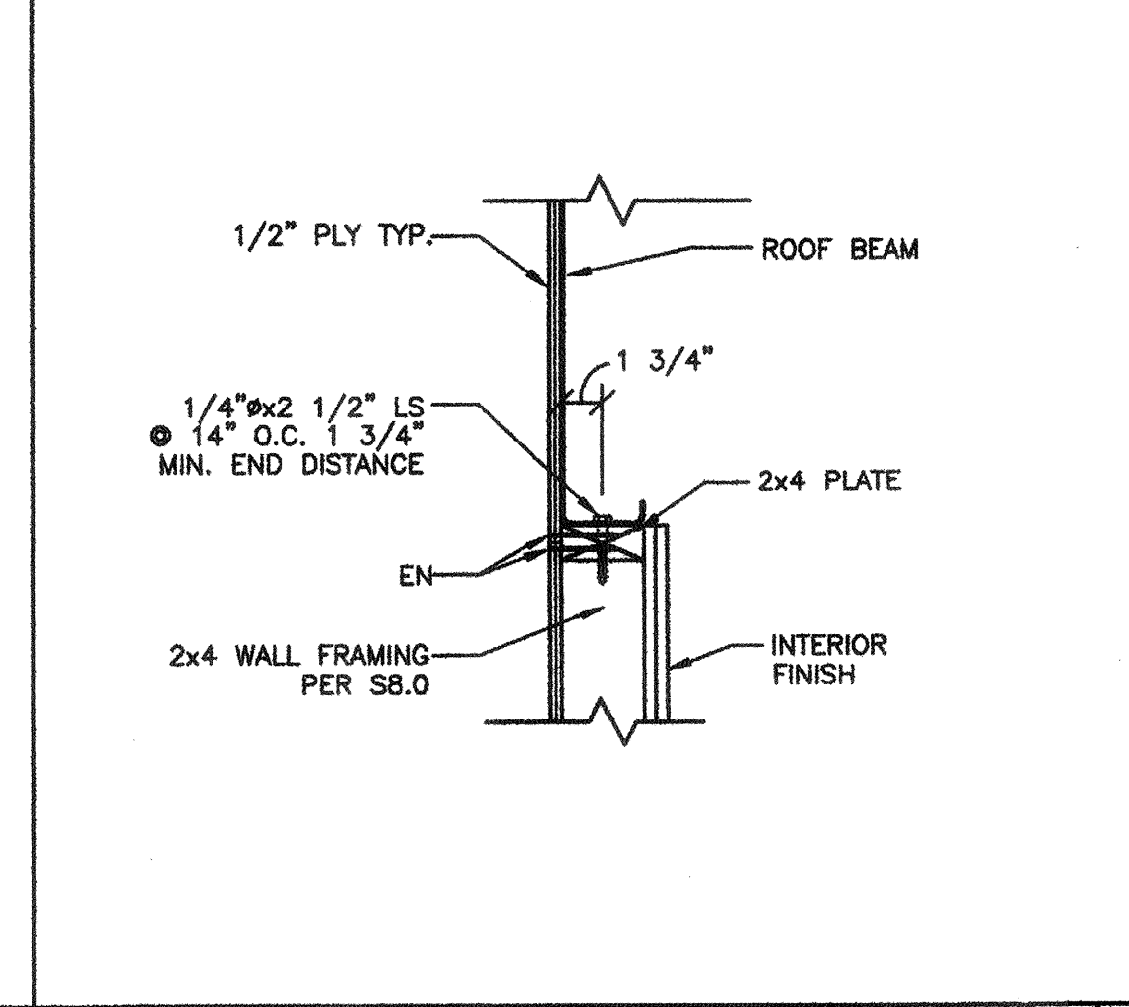
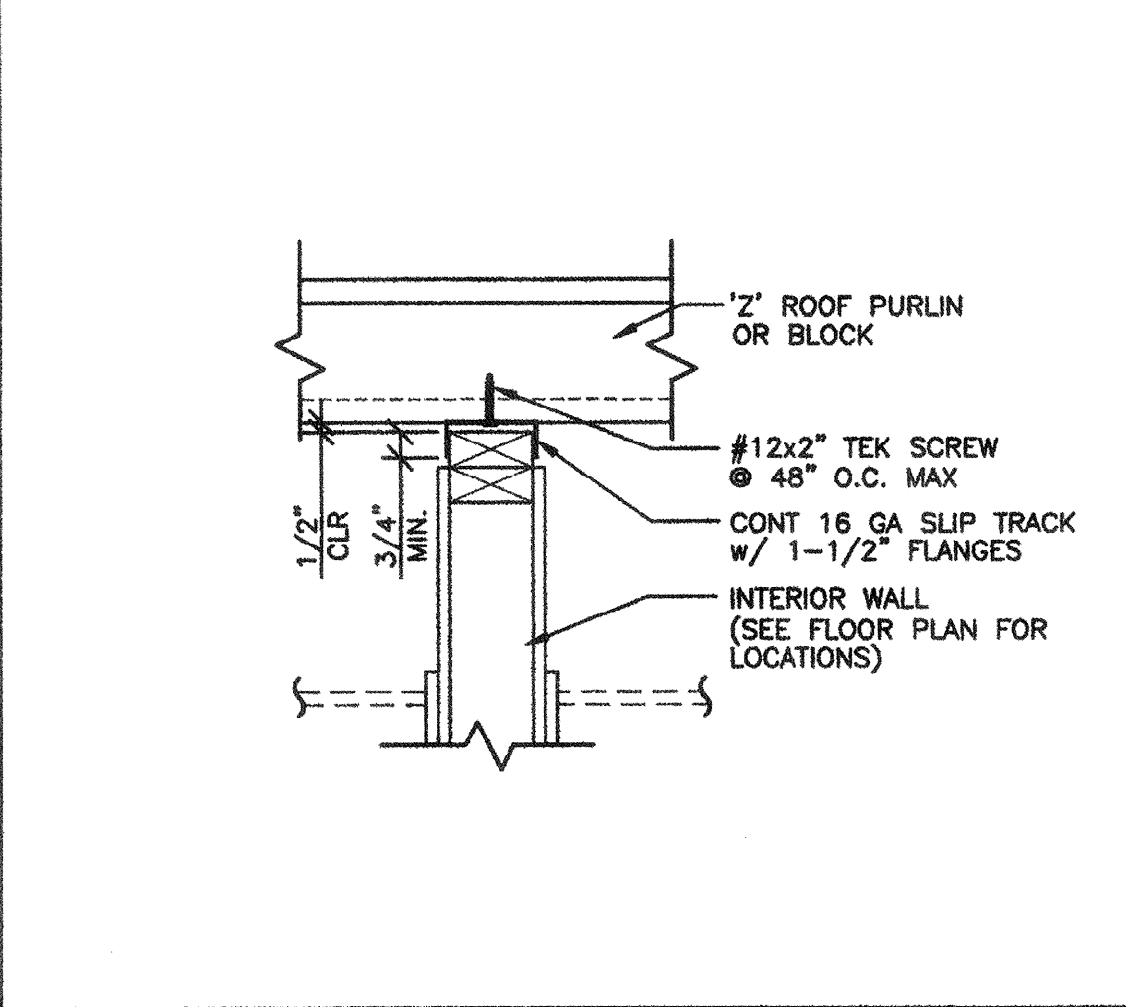
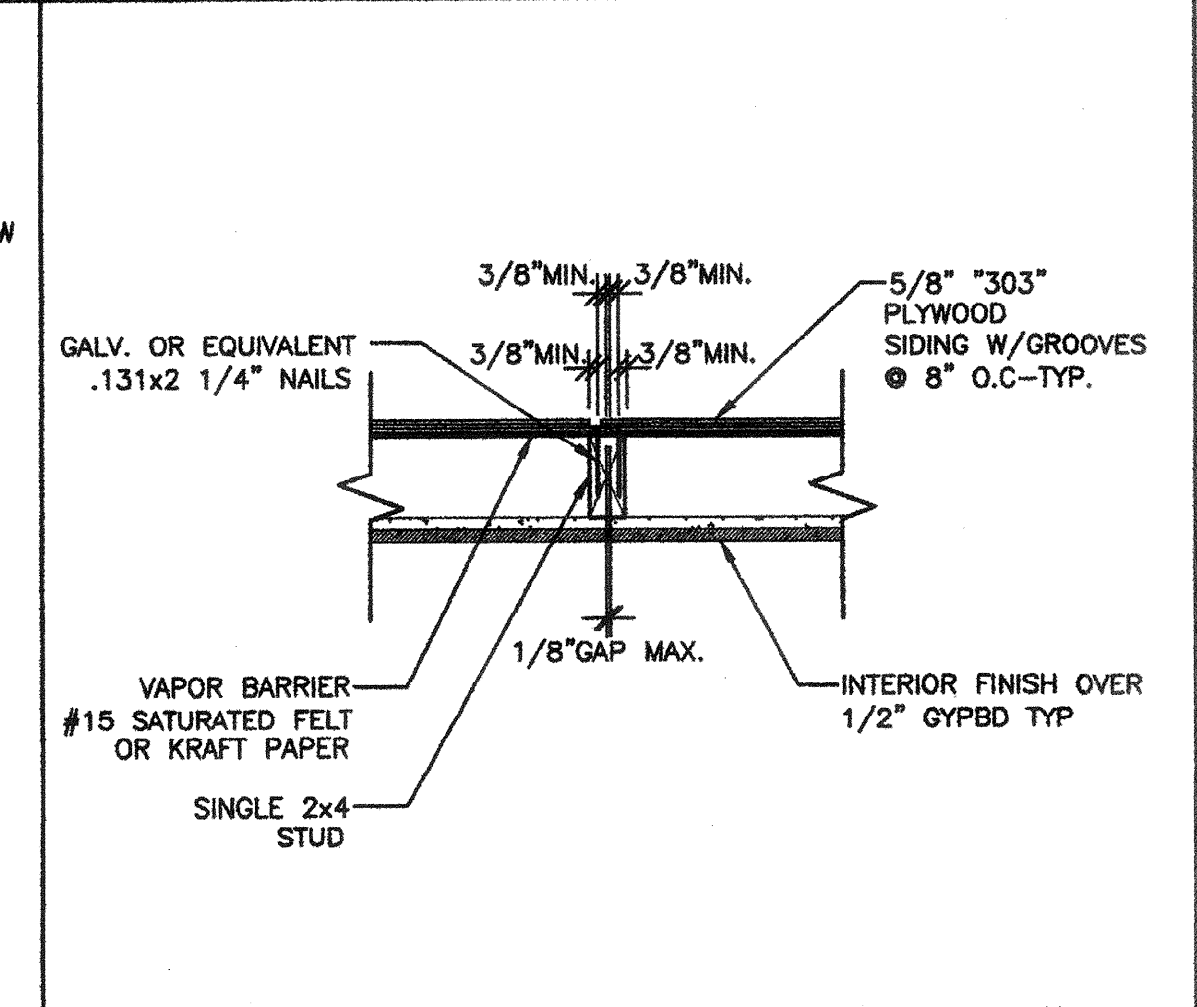
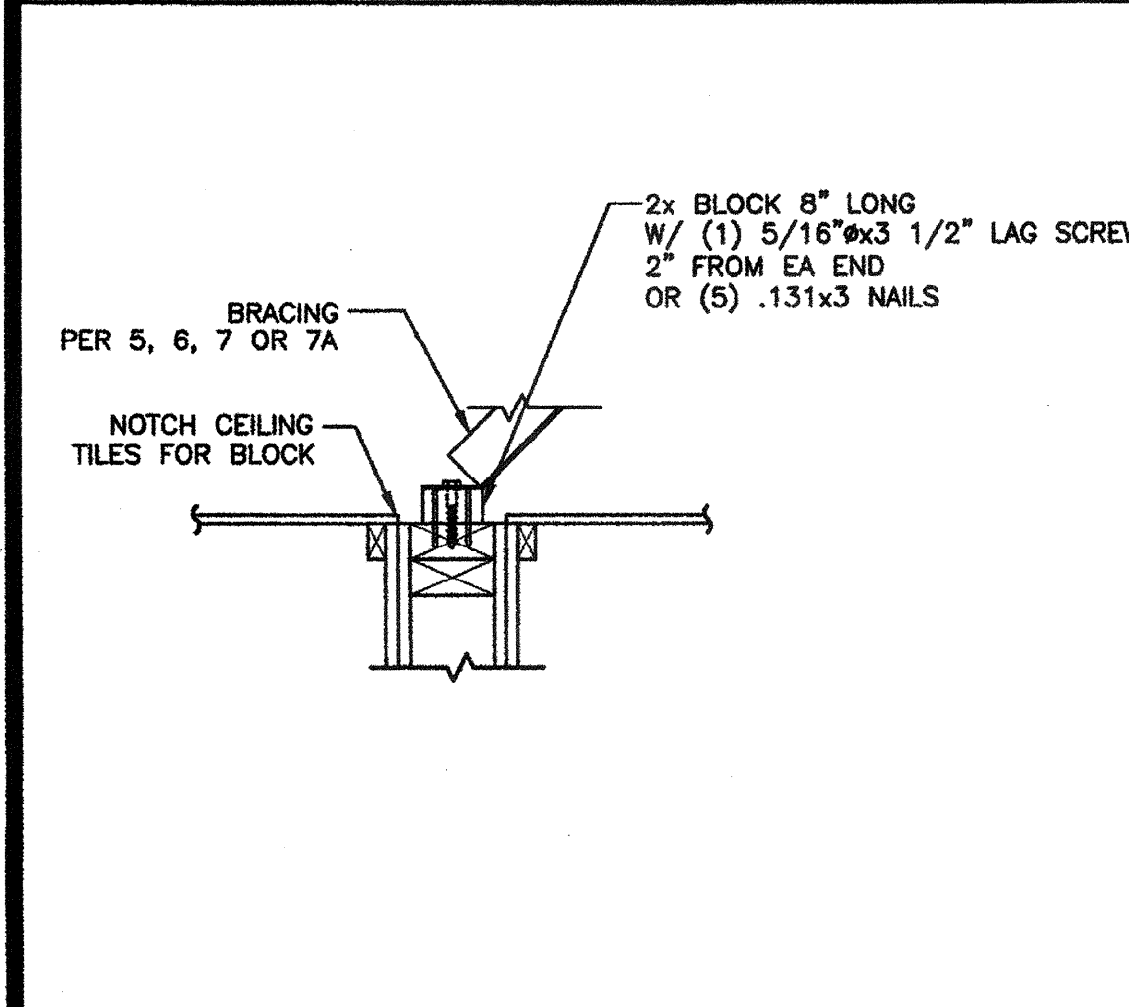
TYP. INTERIOR WALL BRACING  
BRACE PERPENDICULAR TO PURLINS  
SCALE: 1 1/2"=1'-0"

ALT. INTERIOR WALL BRACING w/EMT BRACE  
BRACE PARALLEL TO PURLINS  
SCALE: 1 1/2"=1'-0"

ALT. INTERIOR WALL BRACING w/EMT BRACE  
BRACE PERPENDICULAR TO PURLINS  
SCALE: 1 1/2"=1'-0"

TYP. INTERIOR WALL BRACING  
INTERIOR PARTITION BRACING  
SCALE: 1 1/2"=1'-0"

ALT. INTERIOR WALL BRACING  
INTERIOR PARTITION BRACING w/EMT BRACING  
SCALE: 1 1/2"=1'-0"



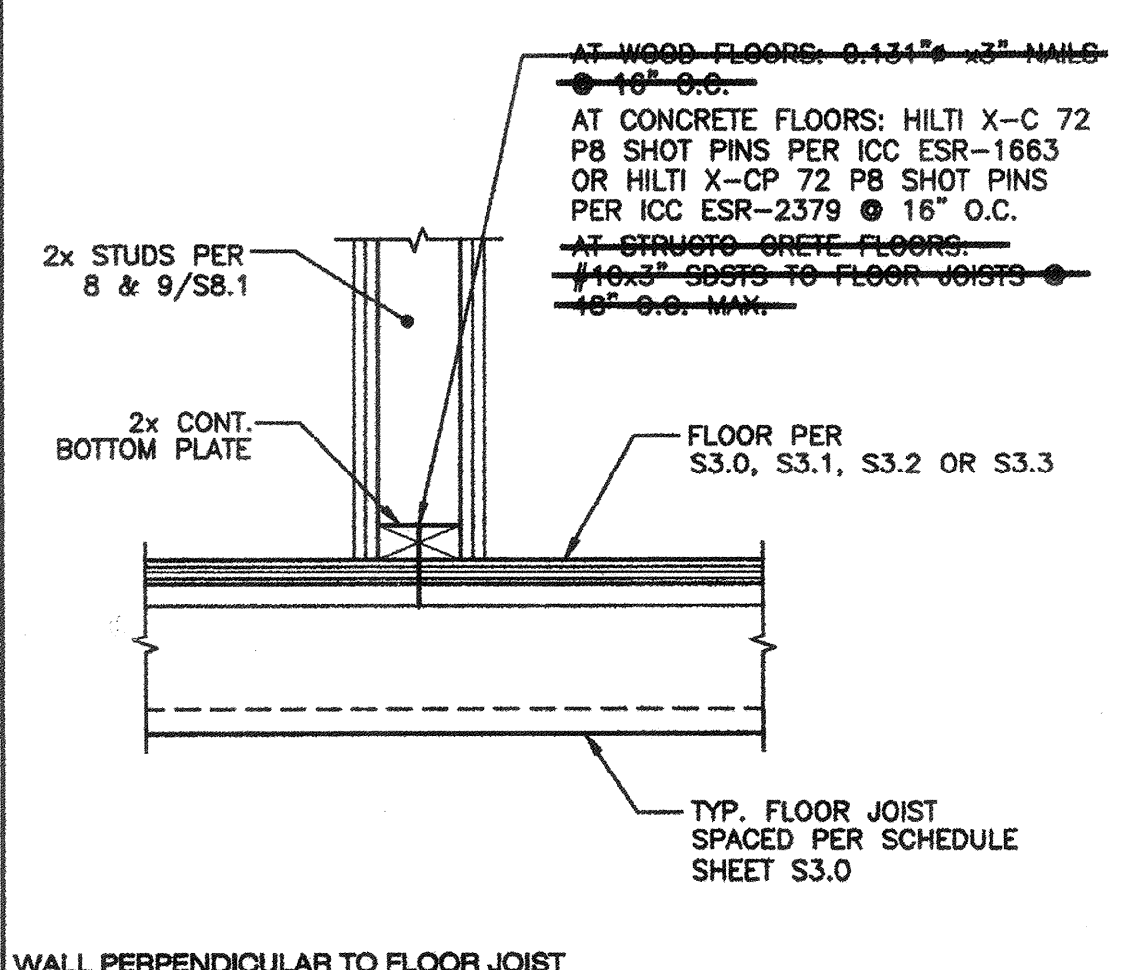
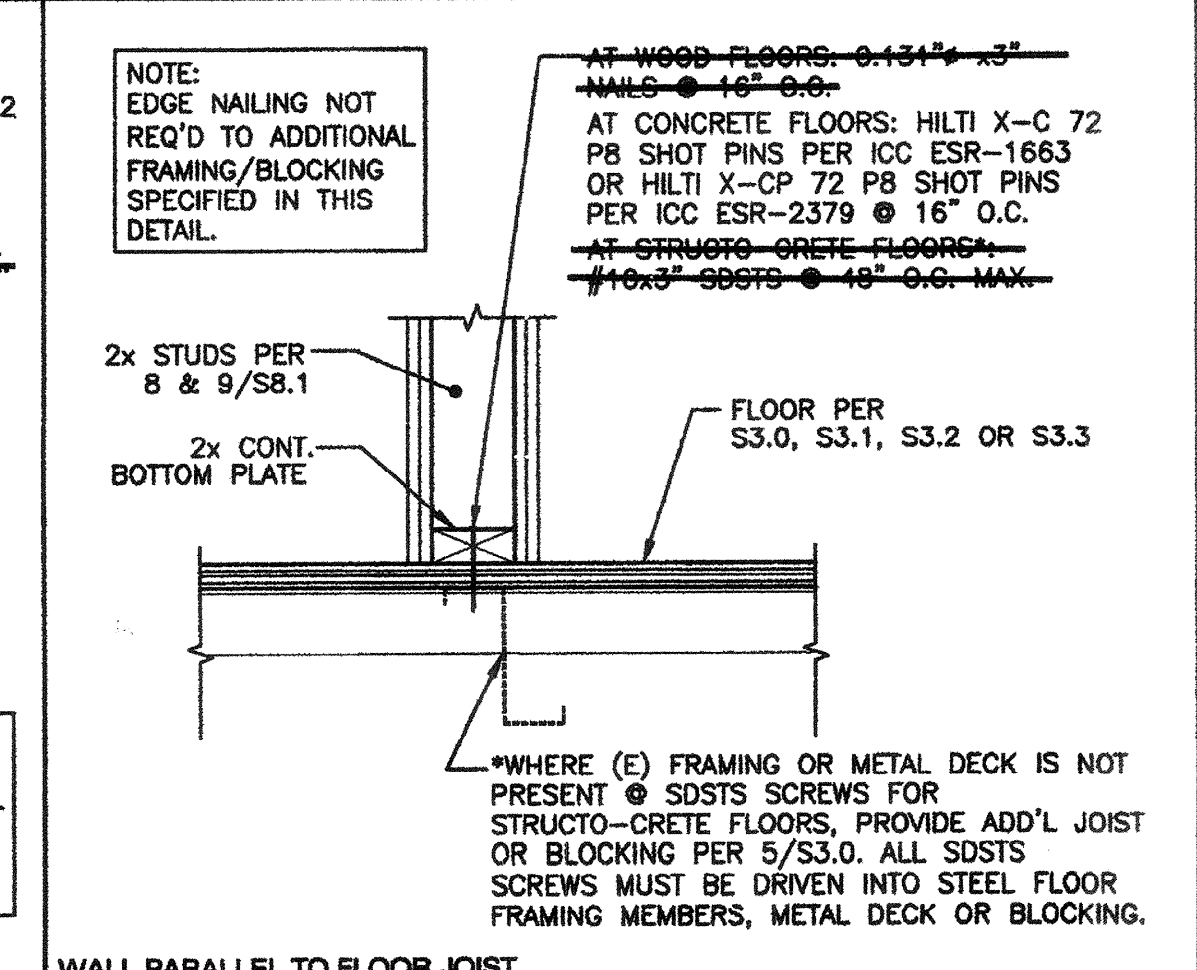
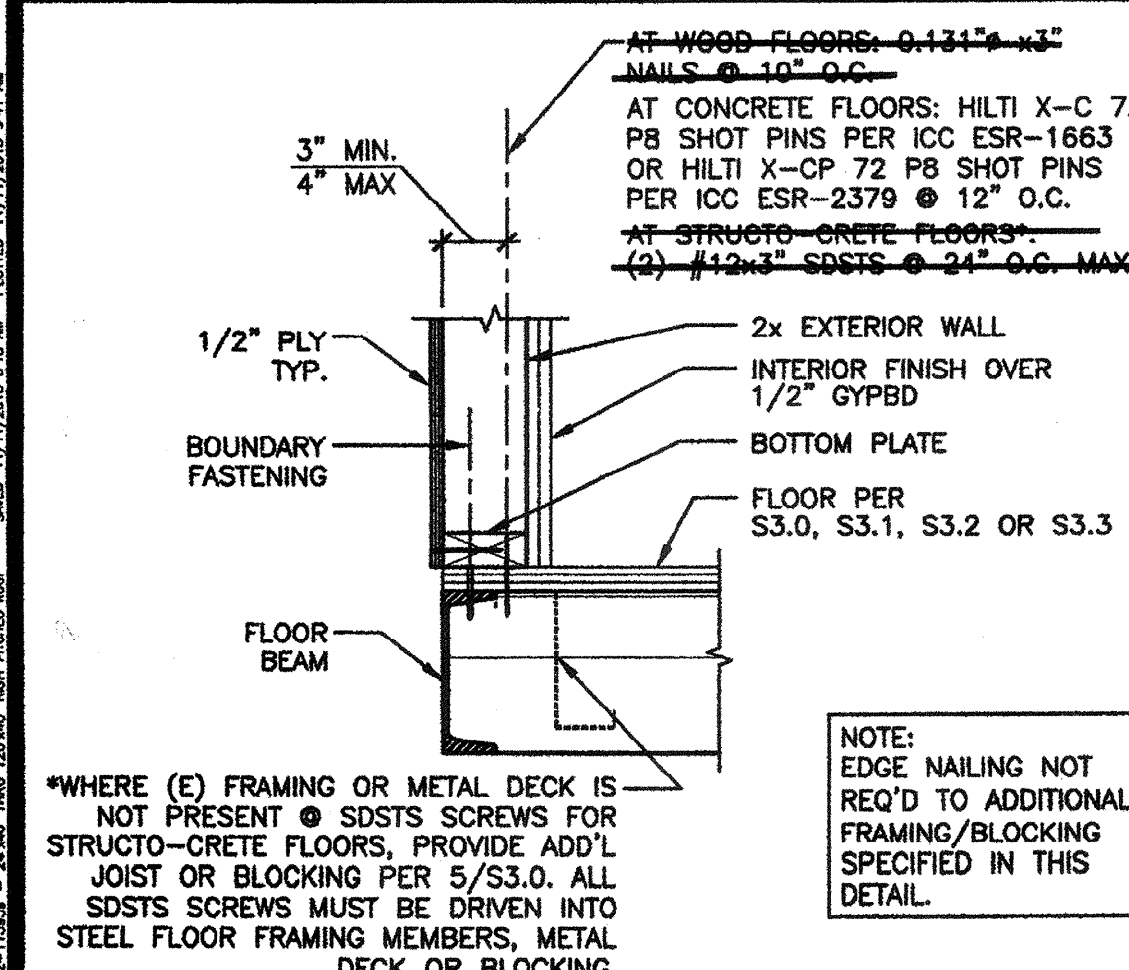
ALT. BLOCKING @ INT. WALL BRACING  
SCALE: 1 1/2"=1'-0"

TYP. SIDING JOINT  
SCALE: 1 1/2"=1'-0"

ALT. INTERIOR WALL ATTACHMENT  
SCALE: 1 1/2"=1'-0"

EXTERIOR WALL TO ROOF BEAM DETAIL  
SCALE: 1 1/2"=1'-0"

EXTERIOR WALL TO ROOF BEAM DETAIL  
w/ SHIM CONDITION  
SCALE: 1 1/2"=1'-0"



NOT USED

NOT USED

EXTERIOR WALL TO FLOOR TYP. DETAIL  
SCALE: 1 1/2"=1'-0"

TYP. INTERIOR NON-BEARING WALL ATTACHMENT  
(PARALLEL TO FRAMING)  
SCALE: 1 1/2"=1'-0"

TYP. INTERIOR NON-BEARING WALL ATTACHMENT  
(PERPENDICULAR TO FRAMING)  
SCALE: 1 1/2"=1'-0"

NOT USED

NOT USED

S8.1 (2015) - 24' x 40' THRU 120' x 40' 2:12 PITCHED ROOF