

MODULAR MANUFACTURER PROPRIETARY STATEMENT

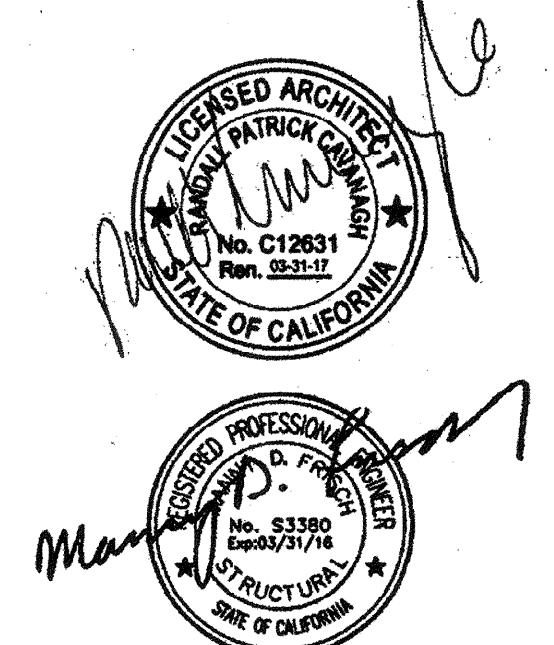
THESE DRAWINGS AND THE MATERIAL CONTAINED THEREIN ARE THE PROPERTY OF AMERICAN MODULAR SYSTEMS, INC. (AMS) AND SHALL NOT BE REPRODUCED, COPIED OR OTHERWISE DISPOSED OF DIRECTLY OR INDIRECTLY AND SHALL NOT BE USED IN WHOLE OR IN PART TO ASSIST IN THE MAKING OF OR FOR THE PURPOSE OF FURNISHING ANY INFORMATION FOR THE MAKING OF DRAWINGS, PRINTS, APPARATUS OR PARTS THEREOF WITHOUT THE FULL KNOWLEDGE AND WRITTEN CONSENT OF AMS. ALL PATENTABLE MATERIAL CONTAINED HEREIN AND ORIGINATING WITH AMS SHALL BE THE SOLE PROPERTY OF AMS.

PRE-CHECKED SET NAME  
**24' x 40' THRU 120' x 40'**  
**2:12 PITCHED ROOF**

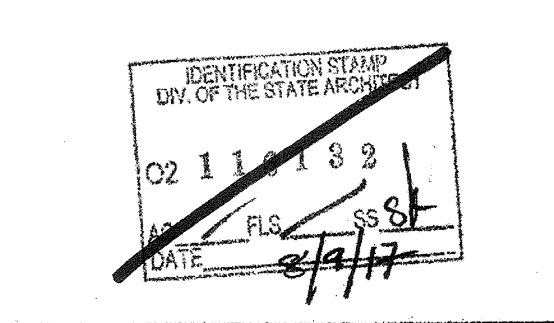
SITE SPECIFIC PROJECT NAME

SHEET TITLE  
**FLOOR FRAMING PLAN & FRAMING PLAN**  
**CONCRETE FLOOR**  
**w/ 3W DECK OPTION**  
**(150 PSF MAX FLOOR L.L.)**

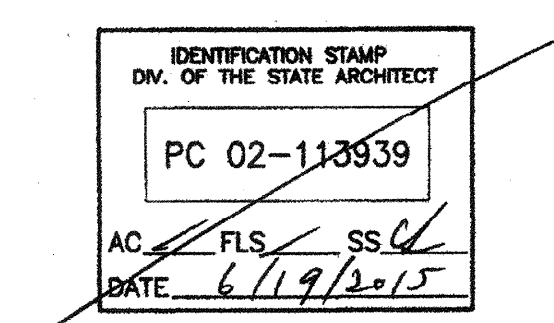
MANUFACTURER PROFESSIONAL OF RECORD ON PC



PROJECT SPECIFIC STATE AGENCY APPROVAL



ORIGINAL PC STATE AGENCY APPROVAL



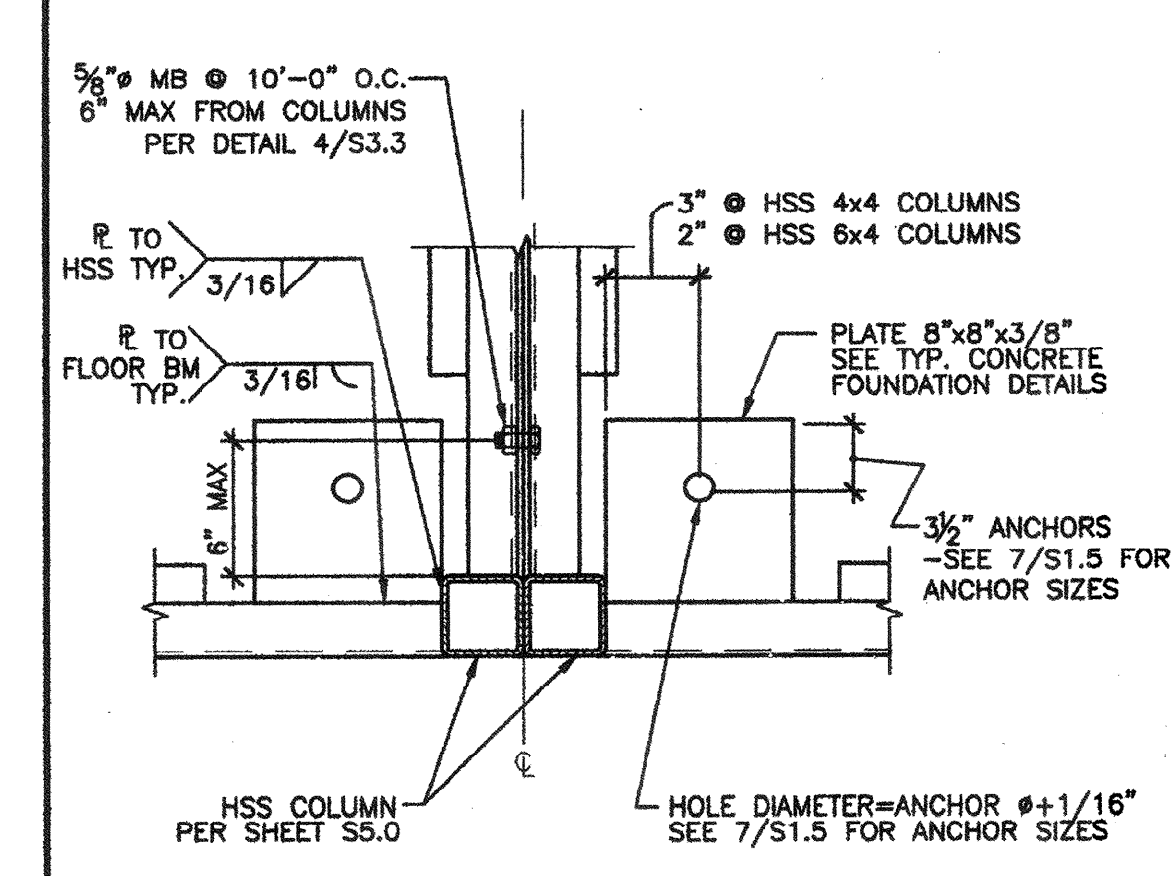
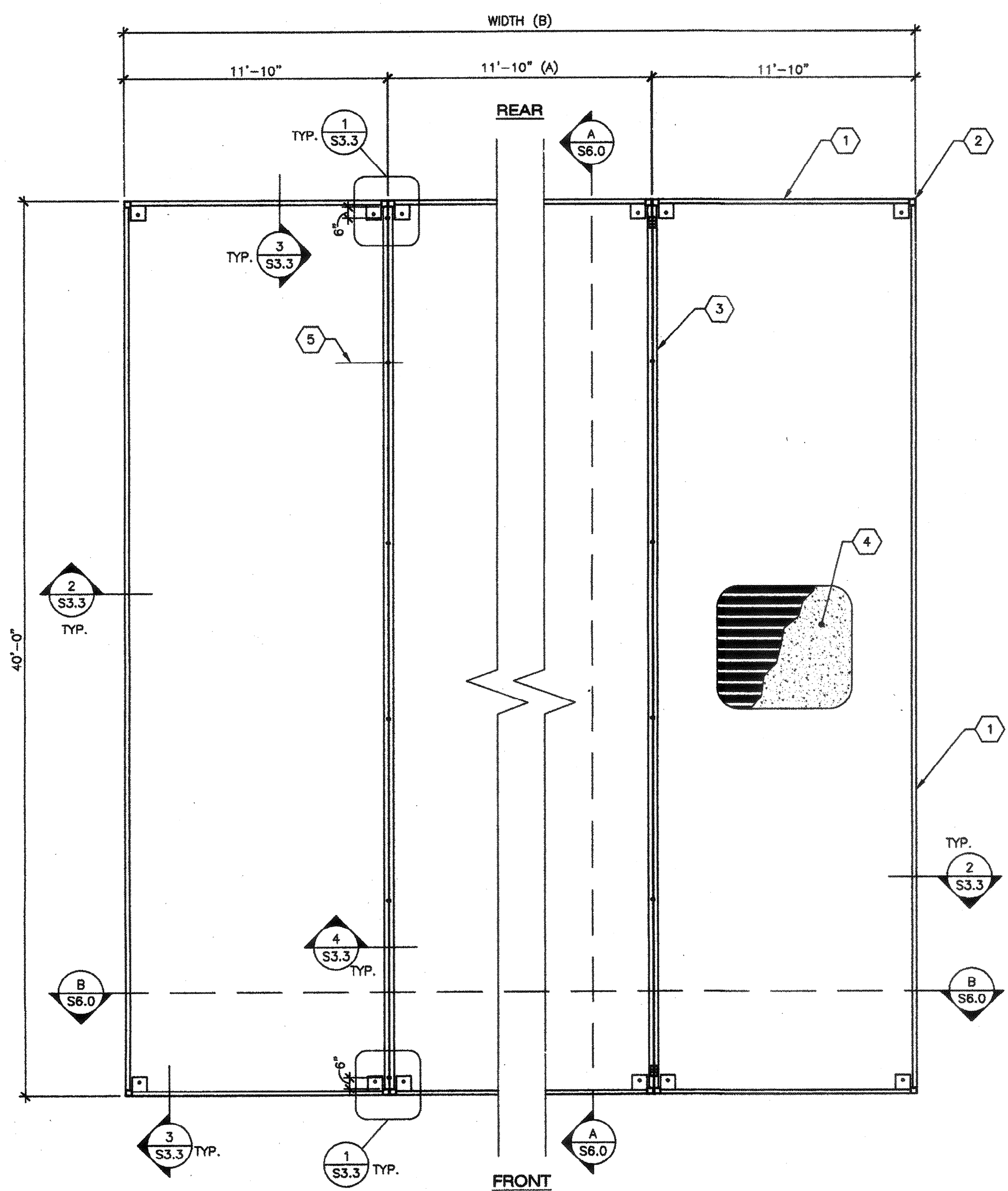
PRE-CHECK (PC) DOCUMENT - CODE: 2013 CBC  
A SEPARATE PROJECT APPLICATION FOR CONSTRUCTION IS REQUIRED

REVISIONS

DRAWN BY:  
SCALE: AS NOTED  
DATE:

SHEET NUMBER

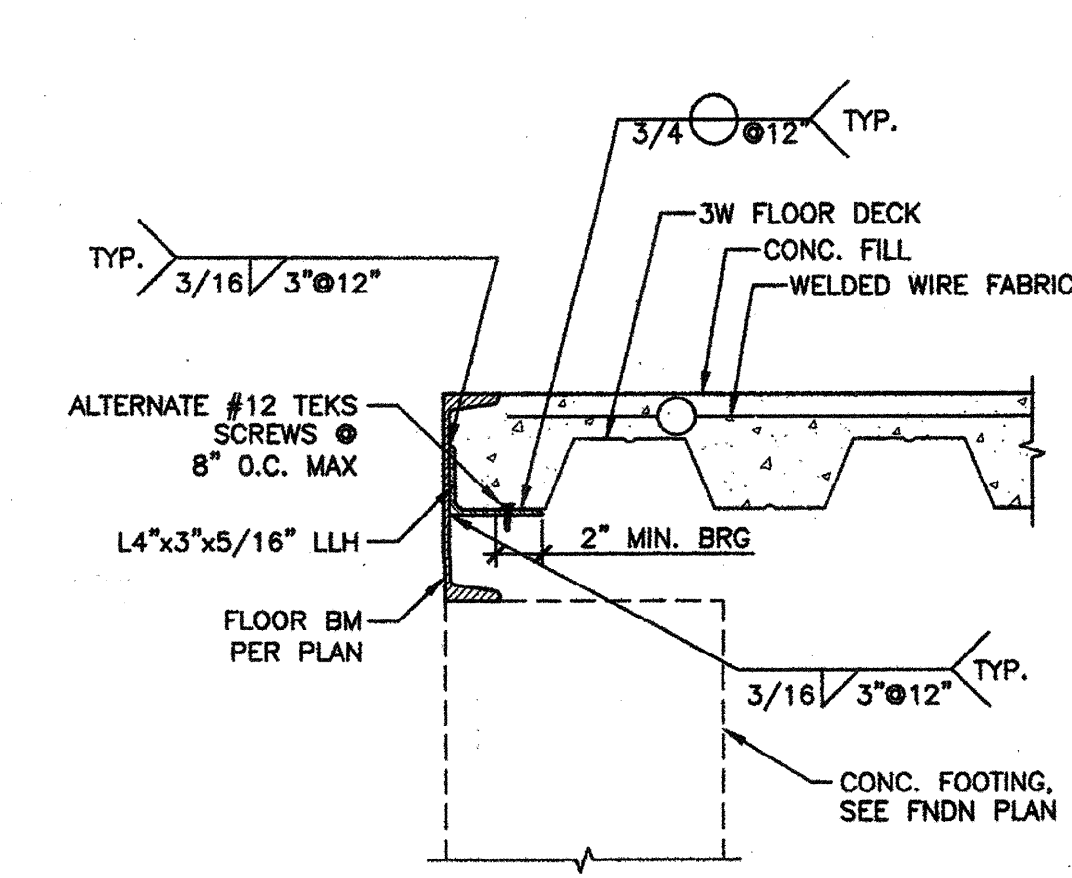
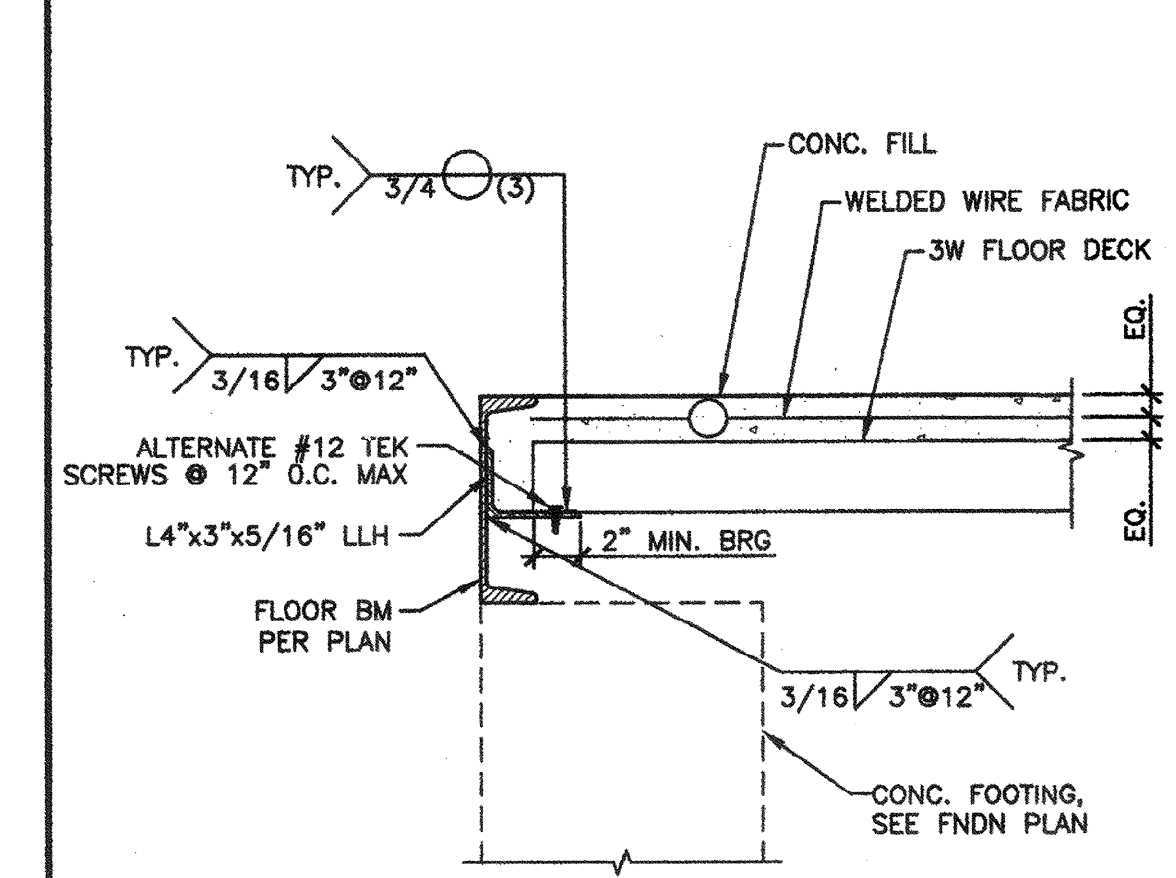
**S3.3**



- 1 FLOOR BEAM PER SHEET S5.0. USE SINGLE SIZE CHANNEL THROUGHOUT FLOOR SYSTEM.
- 2 HSS COLUMN PER SHEET S5.0
- 3 L4x3x5/16" LLH
- 4 2" LT WEIGHT CONCRETE FILL w/ 6x8/W1.4xW1.4 WWF w/ 1'-0" LAP OVER ASC 18 GA. 3W OR 3WH GALVANIZED DECK (5" MAX. TOTAL THICKNESS). DECK SIDE LAP ATTACHMENT TO BE BUTTON PUNCHED @ 36" O.C.
- NOTE: SEE ICC ER-2408 FOR ASC BRAND STEEL DECKING
- 5 5/8" MB @ 8'-0" O.C., 6" MAX FROM COLUMNS

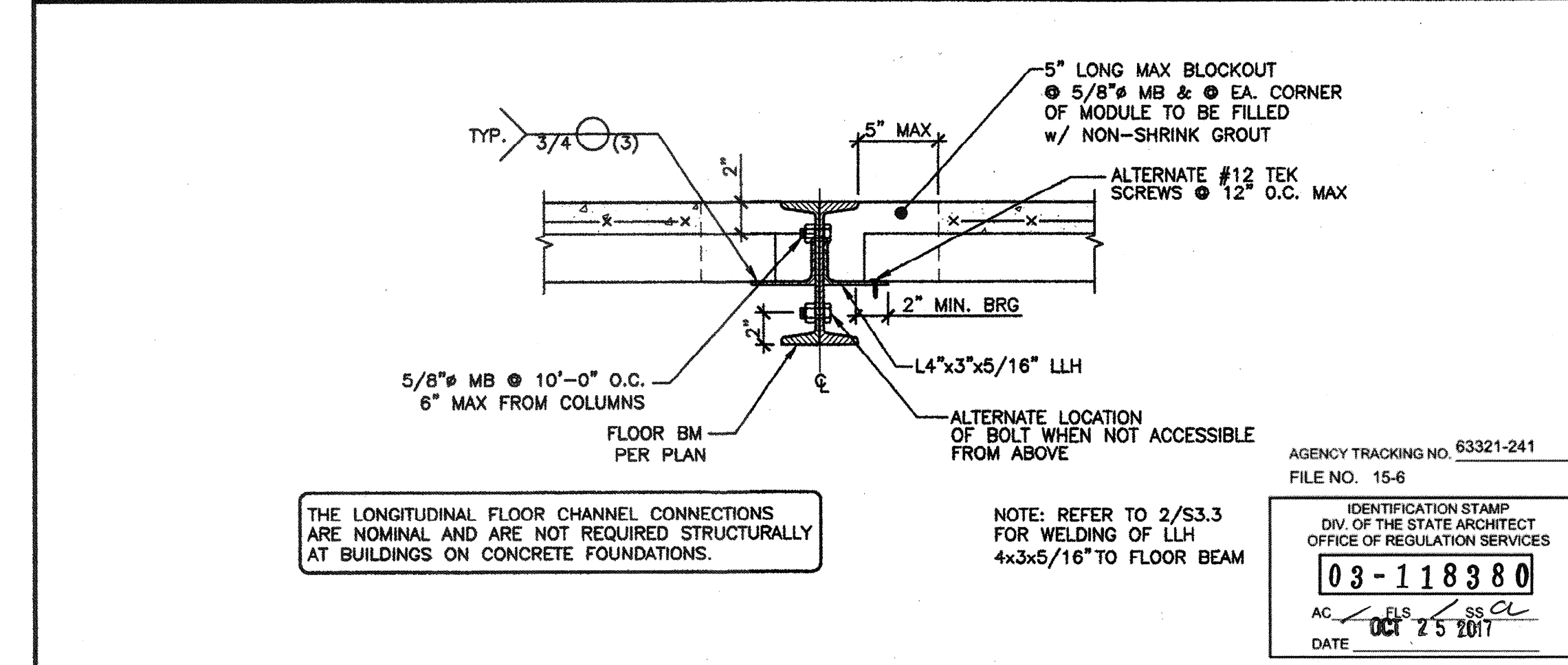
TYP. FLOOR BEAMS CONNECTION SCALE: 1/12"=1'-0"

KEY NOTES



TYP. PERIMETER CONNECTION SCALE: 1/12"=1'-0"

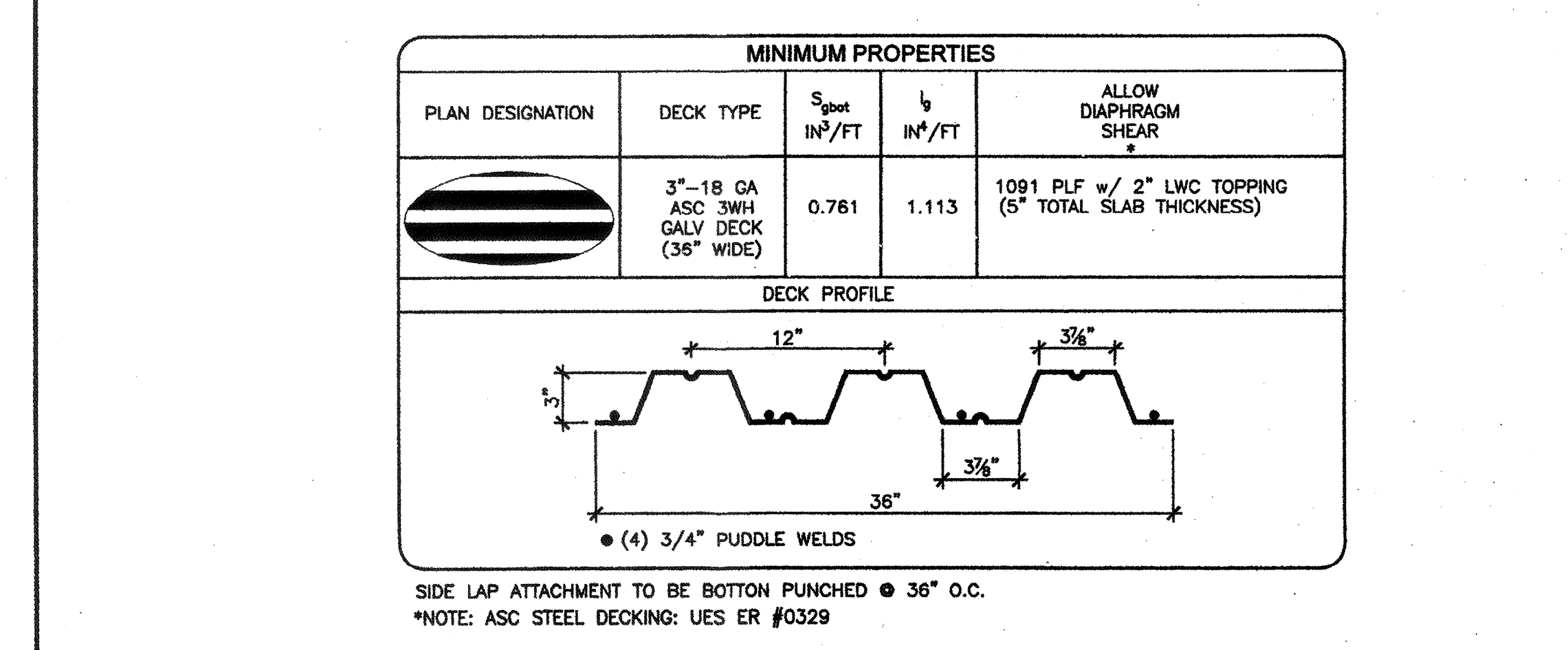
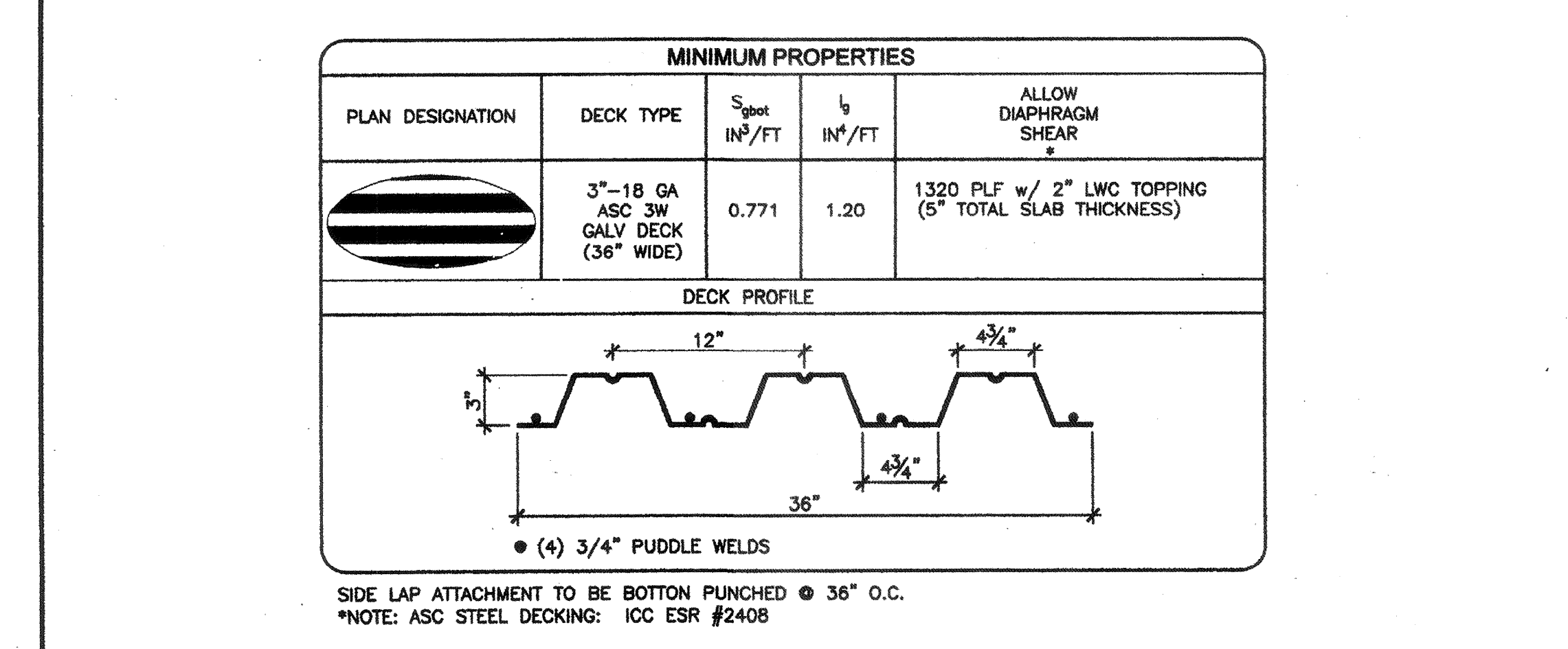
TYP. PERIMETER CONNECTION SCALE: 1/12"=1'-0"



TYP. MODULE LINE CONNECTION SCALE: 1/12"=1'-0"

**FLOOR FRAMING PLAN (CONCRETE FLOOR w/ 3W DECK OPTION) 150 PSF MAX FLOOR LIVE LOAD** SCALE: 1/4"=1'-0"

BLDG SIZE (FT)	TOTAL # OF 12' WIDE MODULES	"A" TOTAL # OF CENTER MODULES	"B" TOTAL BLDG WIDTH
24' x 40'	2	0	23'-8 1/4"
36' x 40'	3	1	35'-6 1/2"
48' x 40'	4	2	47'-4 3/4"
60' x 40'	5	3	59'-3"
72' x 40'	6	4	71'-1 1/4"
84' x 40'	7	5	82'-11 1/2"
96' x 40'	8	6	94'-9 3/4"
108' x 40'	9	7	106'-8"
120' x 40'	10	8	118'-6 1/4"



MODULE SCHEDULE

3W METAL DECK PROPERTIES AND PROFILE

3WH METAL DECK PROPERTIES AND PROFILE