
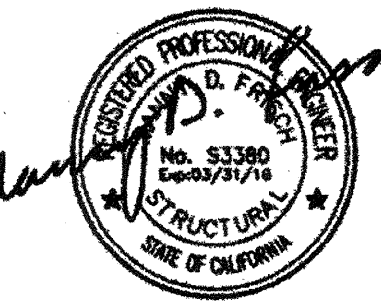


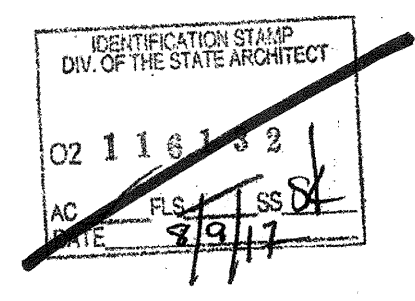
MODULAR MANUFACTURER PROPRIETARY STATEMENT
THESE DRAWINGS AND THE MATERIAL CONTAINED THEREIN ARE THE PROPERTY OF AMERICAN MODULAR SYSTEMS, INC. (AMS) AND SHALL NOT BE REPRODUCED, COPIED OR OTHERWISE DISPOSED OF DIRECTLY OR INDIRECTLY AND SHALL NOT BE USED IN WHOLE OR IN PART TO ASSIST IN THE MAKING OF OR FOR THE PURPOSE OF FURNISHING ANY INFORMATION FOR THE MAKING OF DRAWINGS, PRINTS, APPARATUS OR PARTS THEREOF WITHOUT THE FULL KNOWLEDGE AND WRITTEN CONSENT OF AMS. ALL PATENTABLE MATERIAL CONTAINED HEREIN AND ORIGINATING WITH AMS SHALL BE THE SOLE PROPERTY OF AMS.

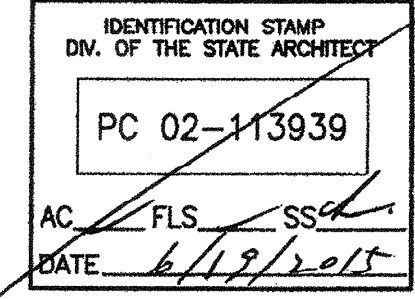
PRE-CHECKED SET NAME
24' x 40' THRU 120' x 40'
2:12 PITCHED ROOF

SITE SPECIFIC PROJECT NAME

SHEET TITLE
CONCRETE FOUNDATION
OPTIONAL UTILITY OPENINGS IN FOOTINGS

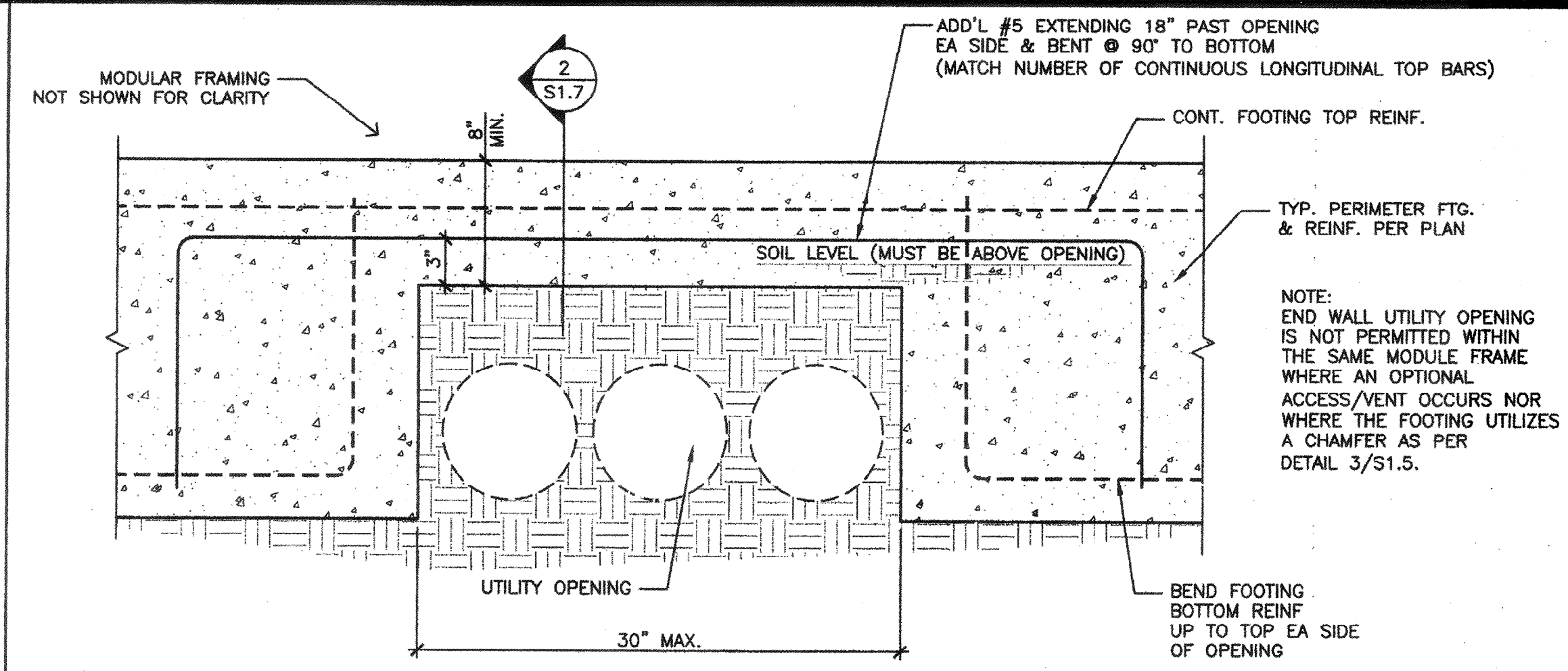
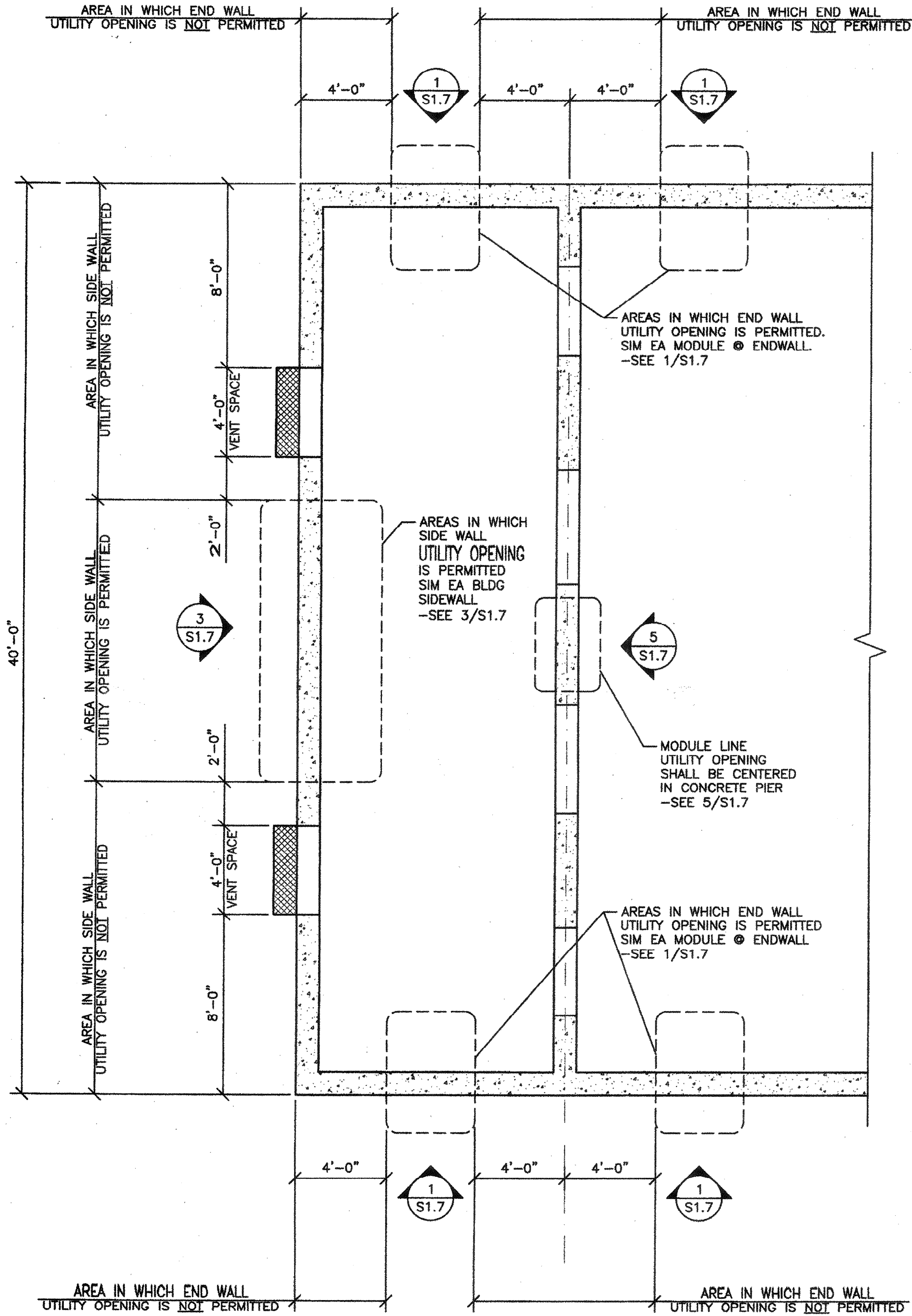
MANUFACTURER PROFESSIONAL OF RECORD ON PC


05/19/2015

PROJECT SPECIFIC STATE AGENCY APPROVAL


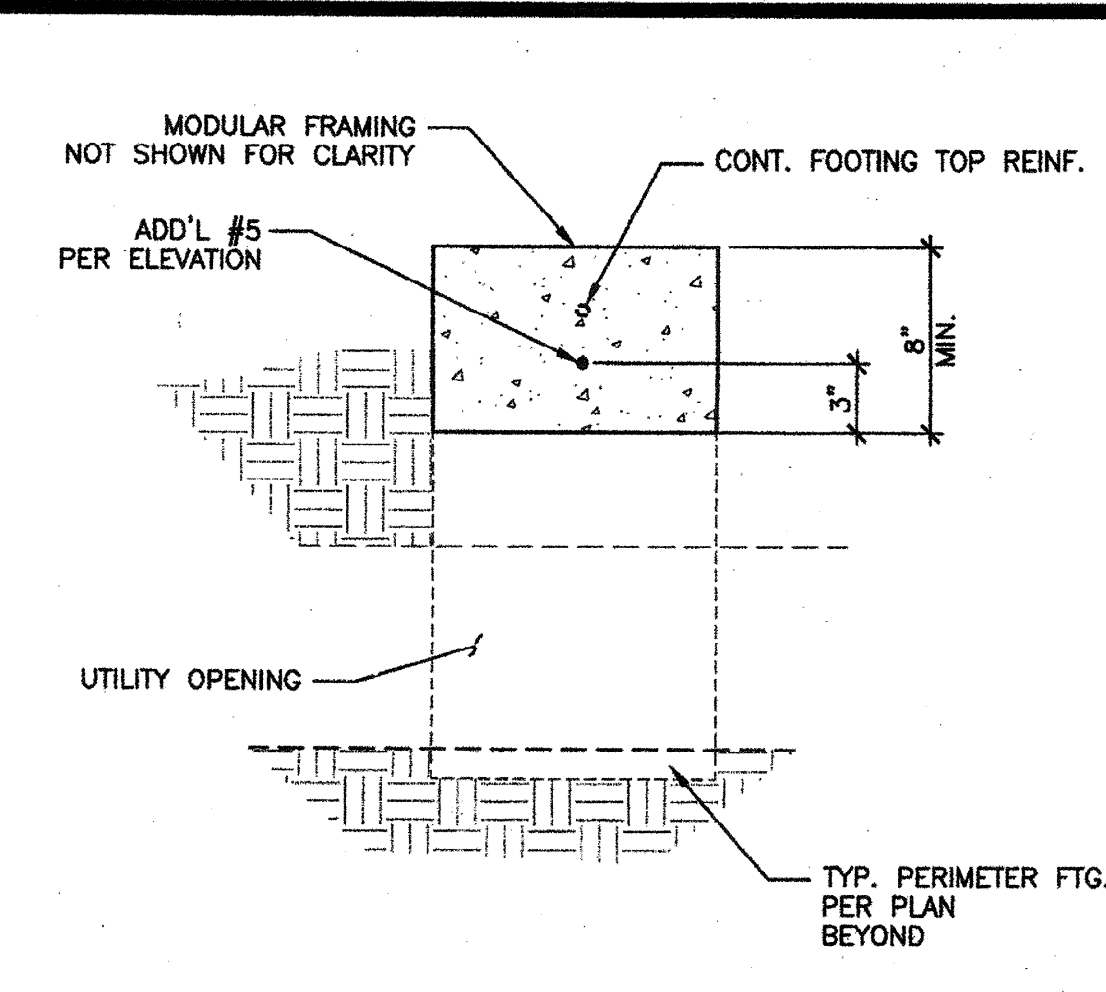
ORIGINAL PC STATE AGENCY APPROVAL

PRE-CHECK (PC) DOCUMENT - CODE: 2013 CBC
A SEPARATE PROJECT APPLICATION FOR CONSTRUCTION IS REQUIRED

REVISIONS
DRAWN BY:
SCALE: AS NOTED
DATE:
SHEET NUMBER

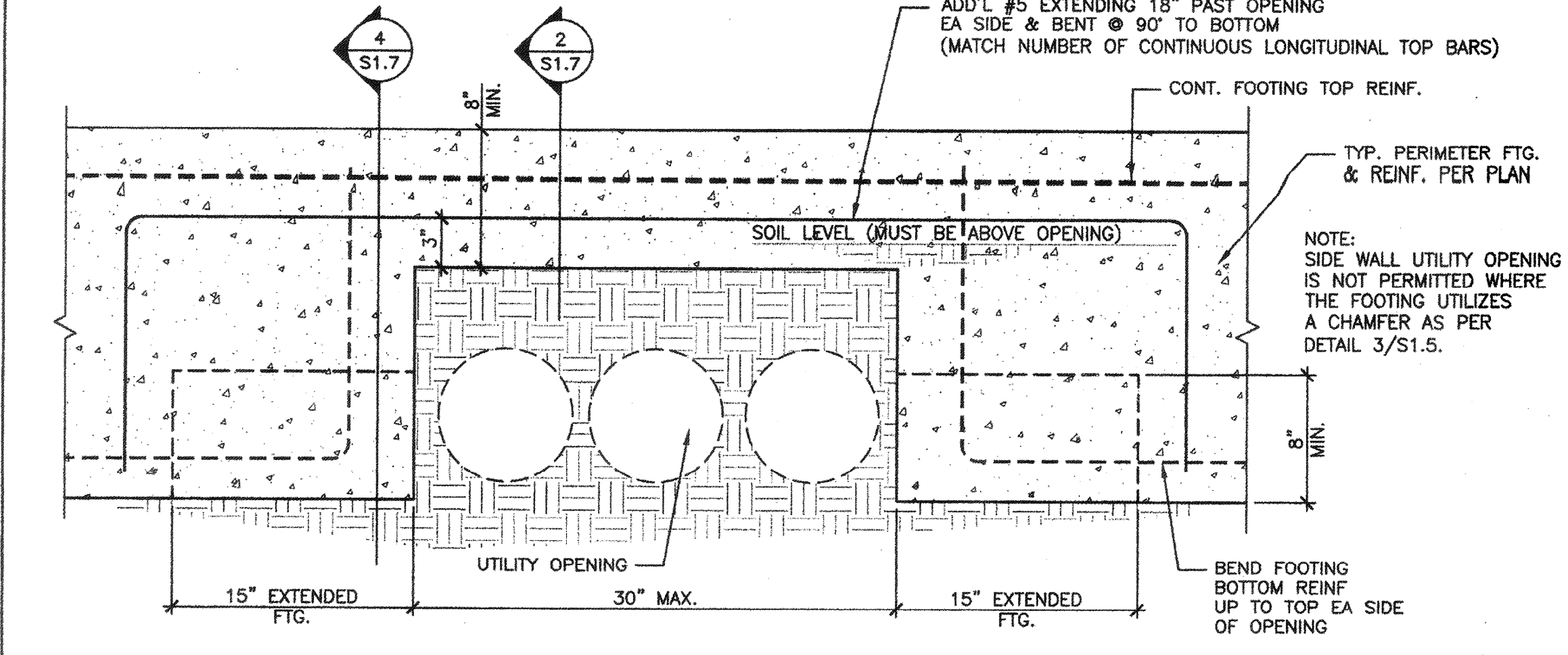
S1.7



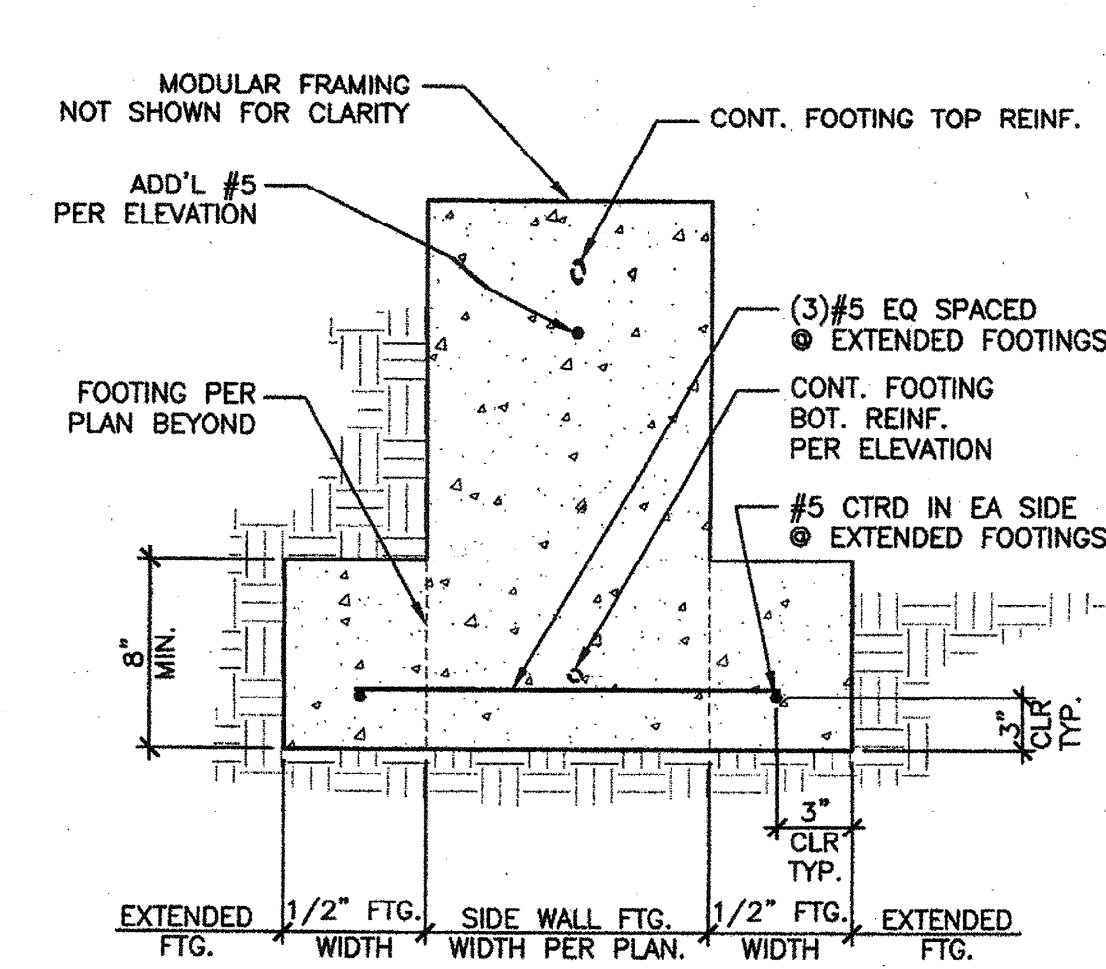
OPTIONAL UTILITY OPENINGS IN END WALL FOOTINGS SCALE: 1-1/2"=1'-0" 1



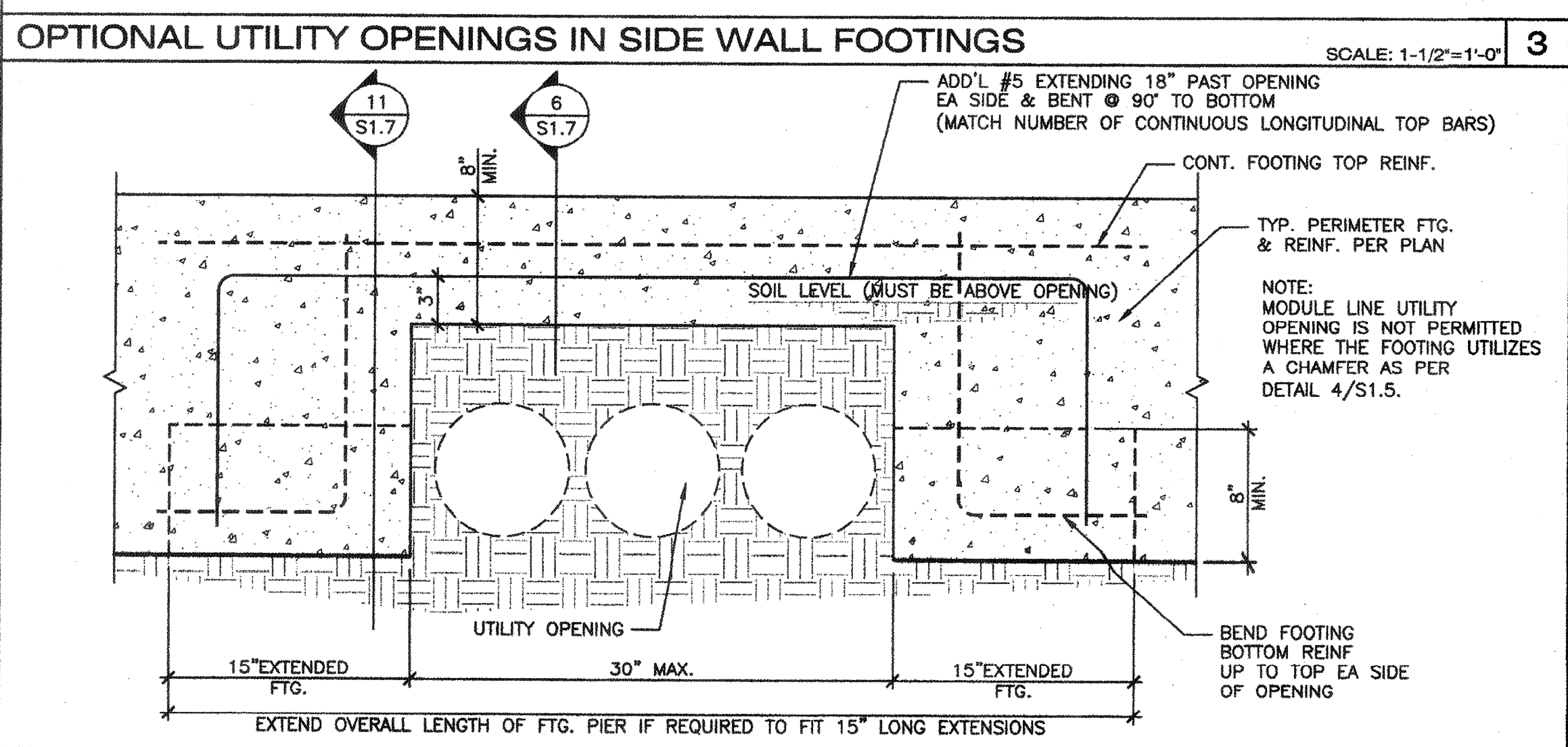
DETAIL SCALE: 1-1/2"=1'-0" 2



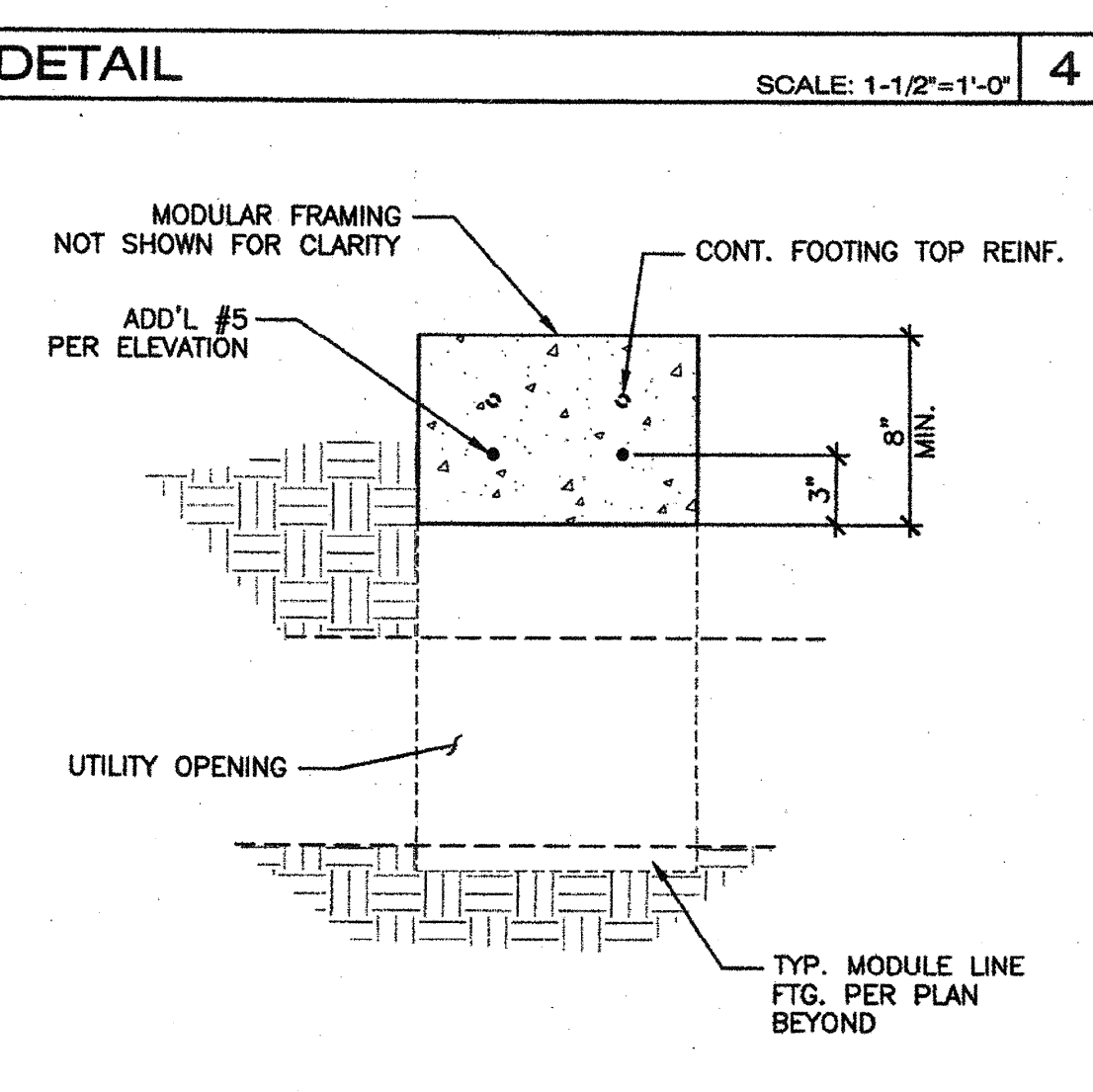
OPTIONAL UTILITY OPENINGS IN SIDE WALL FOOTINGS SCALE: 1-1/2"=1'-0" 3



DETAIL SCALE: 1-1/2"=1'-0" 4



OPTIONAL UTILITY OPENINGS IN MODULE LINE FOOTINGS SCALE: 1-1/2"=1'-0" 5



DETAIL SCALE: 1-1/2"=1'-0" 6

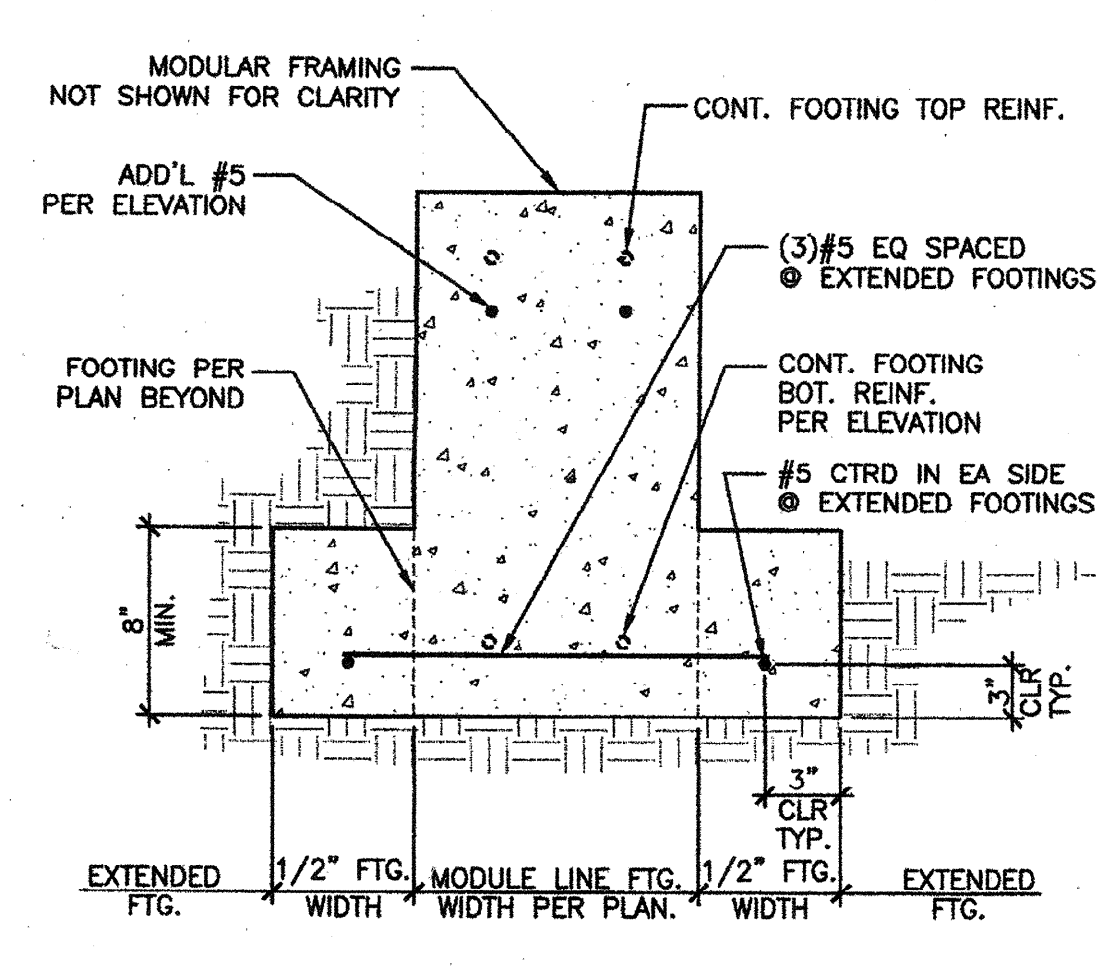
OPTIONAL UTILITY OPENINGS PLAN SCALE: 1/4"=1'-0" A

NOT USED 7 NOT USED 8 NOT USED 9 NOT USED 10

OPTIONAL UTILITY OPENINGS IN MODULE LINE FOOTINGS SCALE: 1-1/2"=1'-0" 5

NOT USED 10

DETAIL SCALE: 1-1/2"=1'-0" 6



DETAIL SCALE: 1-1/2"=1'-0" 11

NOT USED 10

DETAIL SCALE: 1-1/2"=1'-0" 11

AGENCY TRACKING NO. 63321-241
FILE NO. 15-6
IDENTIFICATION STAMP
DIV. OF THE STATE ARCHITECT
OFFICE OF REGULATION SERVICES
03-118380
AC FLS SS CL
DATE OCT 25 2007

03-118380 - 10/25/07 10:00 AM 10/25/07 10:00 AM 10/25/07 10:00 AM