

MODULAR MANUFACTURER PROPRIETARY STATEMENT

THESE DRAWINGS AND THE MATERIAL CONTAINED THEREIN ARE THE PROPERTY OF AMERICAN MODULAR SYSTEMS, INC. (AMS) AND SHALL NOT BE REPRODUCED, COPIED OR OTHERWISE DISPOSED OF DIRECTLY OR INDIRECTLY AND SHALL NOT BE USED IN WHOLE OR IN PART TO ASSIST IN THE MAKING OF OR FOR THE PURPOSE OF FURNISHING ANY INFORMATION FOR THE MAKING OF DRAWINGS, PRINTS, APPARATUS OR PARTS THEREOF WITHOUT THE FULL KNOWLEDGE AND WRITTEN CONSENT OF AMS. ALL PATENTABLE MATERIAL CONTAINED HEREIN AND ORIGINATING WITH AMS SHALL BE THE SOLE PROPERTY OF AMS.

PRE-CHECKED SET NAME

24' x 40' THRU 120' x 40'
2:12 PITCHED ROOF

SITE SPECIFIC PROJECT NAME

SHEET TITLE

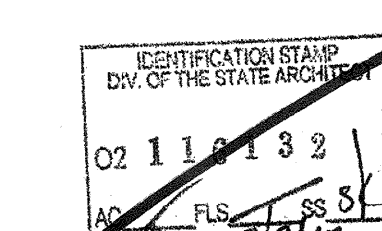
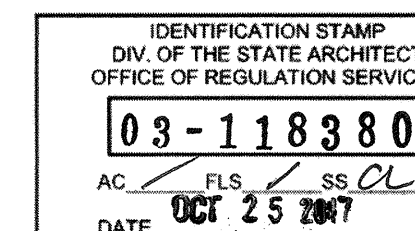
CONCRETE FOUNDATION
DETAILS

MANUFACTURER PROFESSIONAL OF RECORD ON PC

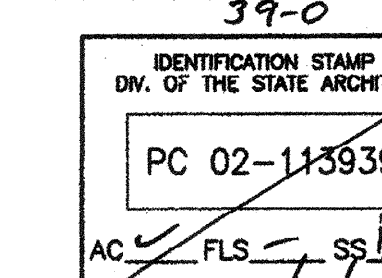


PROJECT SPECIFIC STATE AGENCY APPROVAL

AGENCY TRACKING NO. 63321-241
FILE NO. 15-6



ORIGINAL PC STATE AGENCY APPROVAL



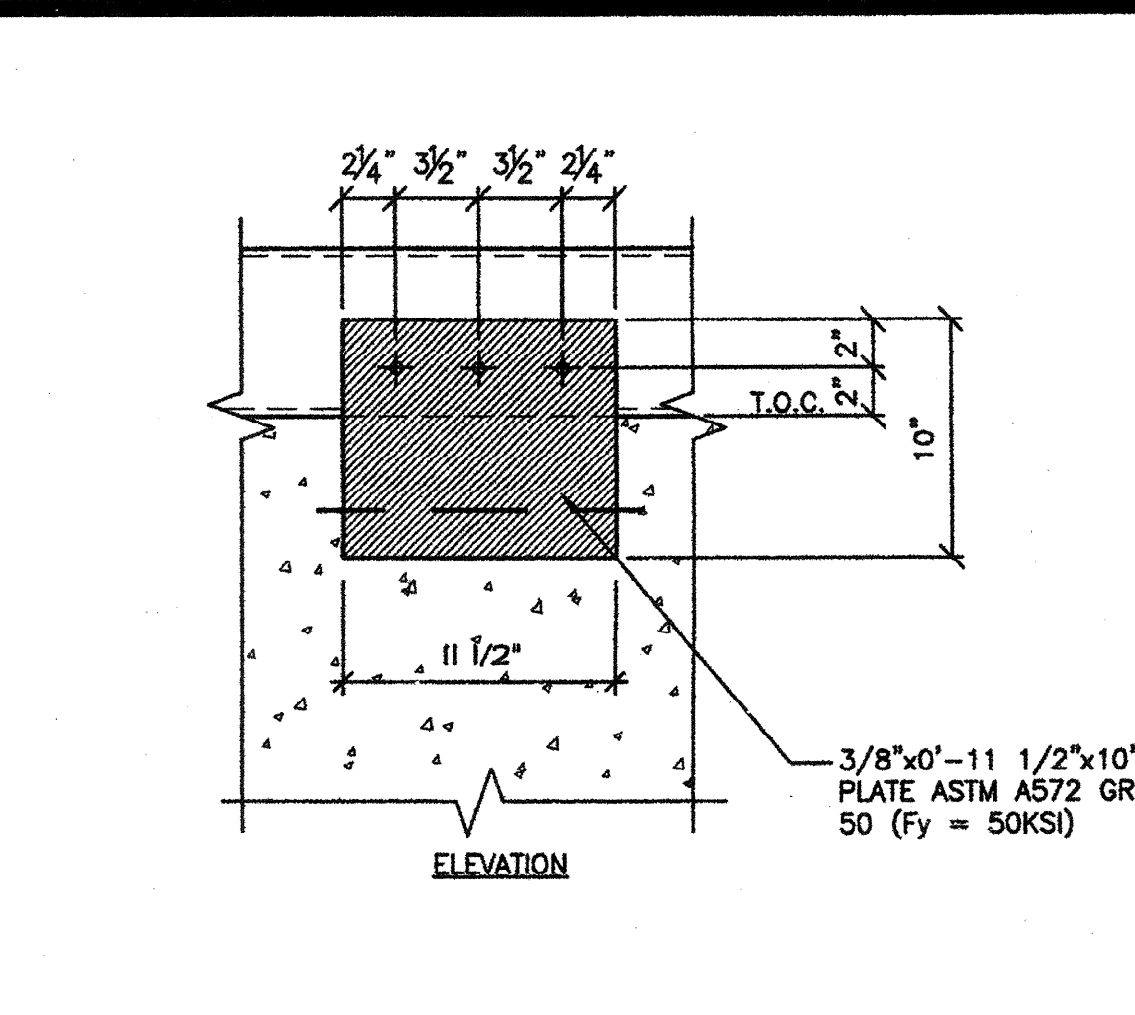
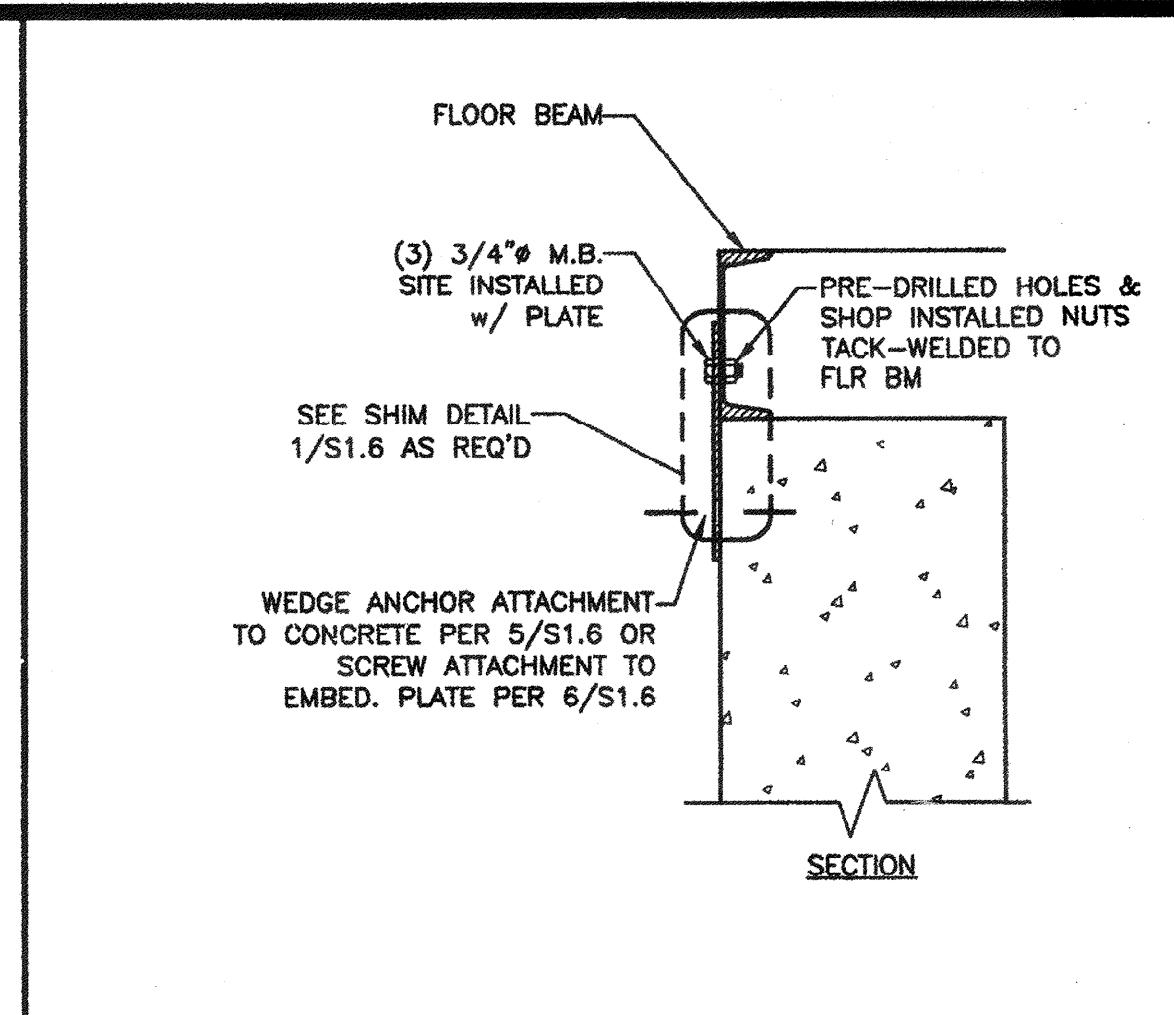
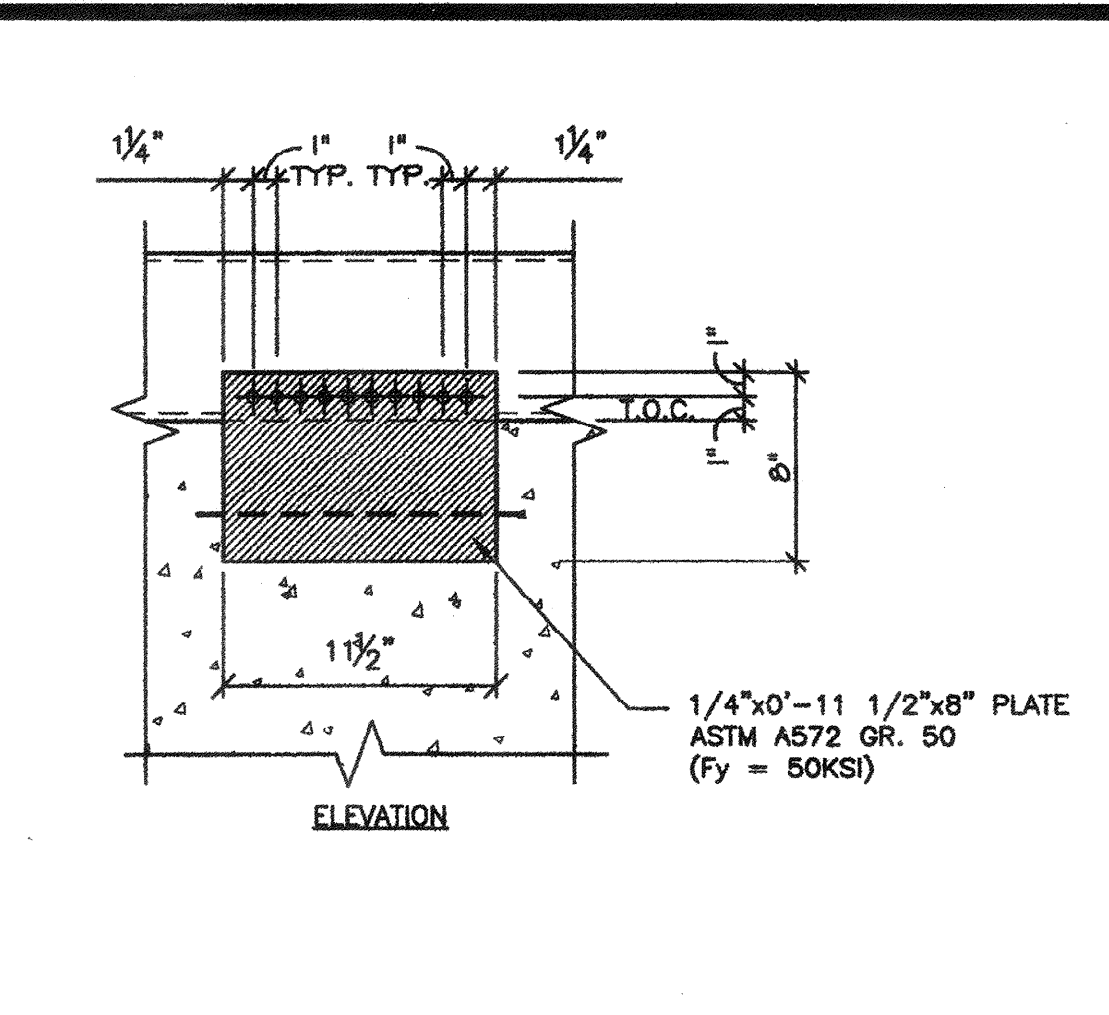
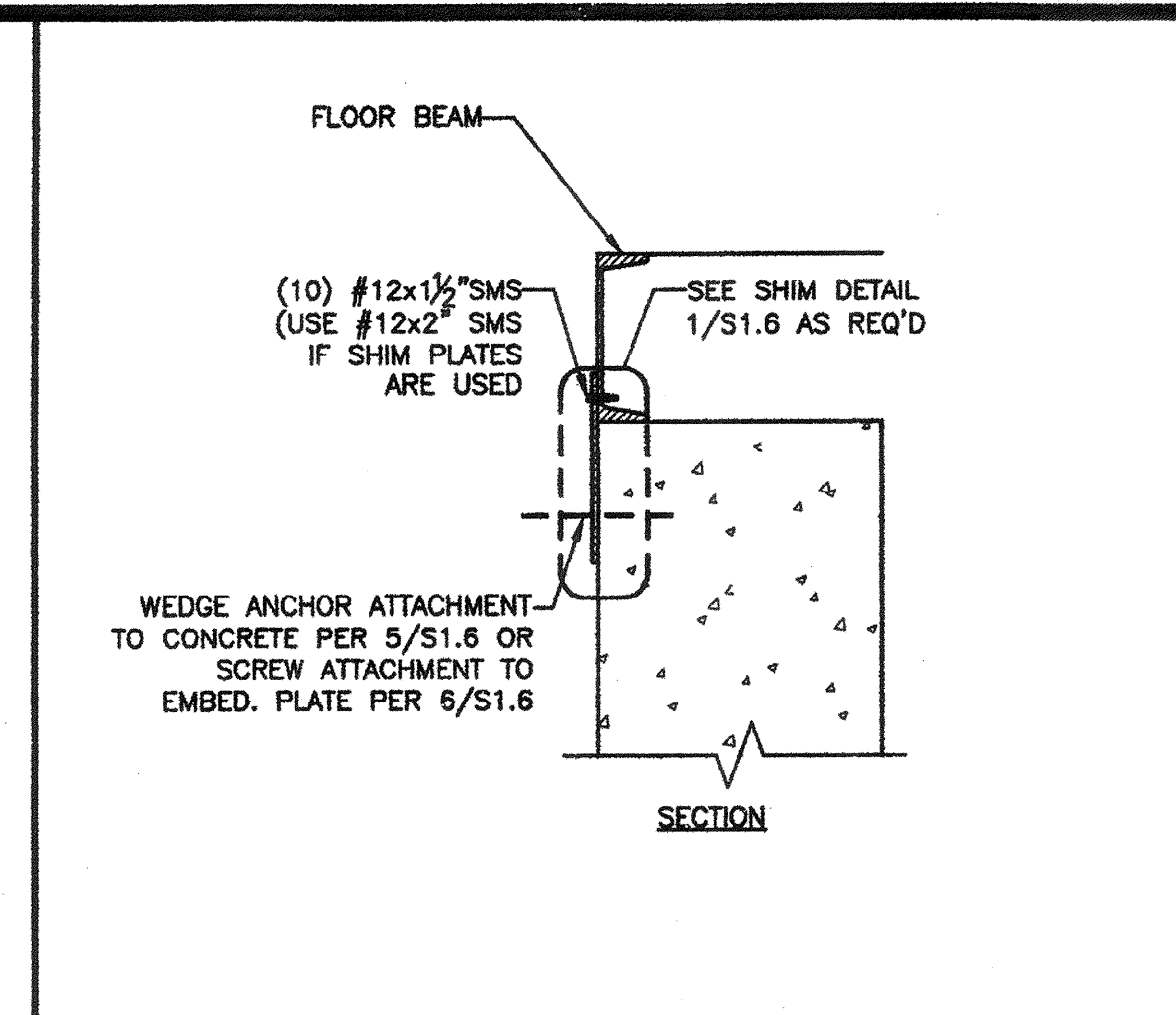
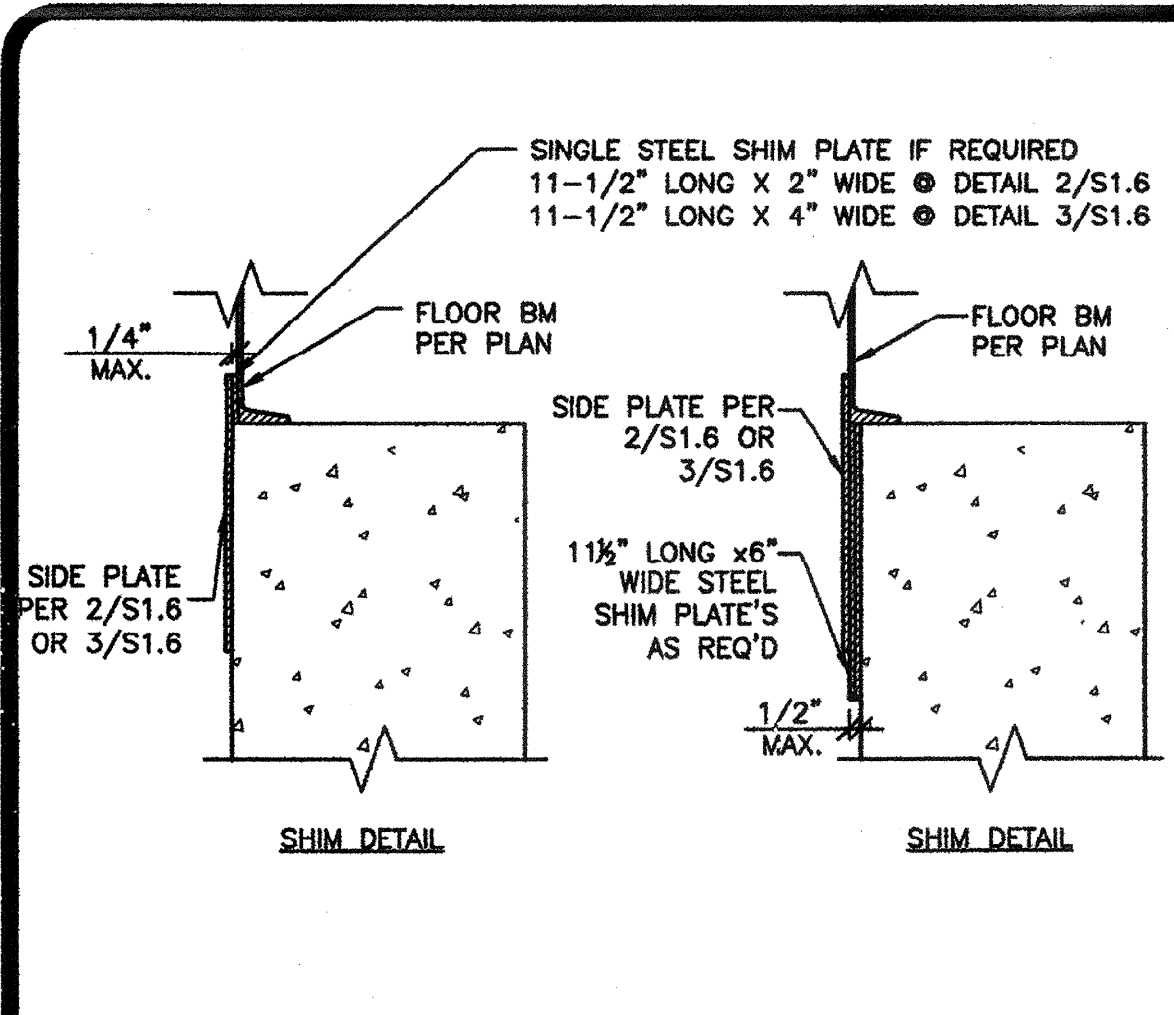
PRE-CHECK (PC) DOCUMENT - CODE: 2013 CBC
A SEPARATE PROJECT APPLICATION FOR CONSTRUCTION IS REQUIRED

REVISIONS

DRAWN BY: _____
SCALE: AS NOTED
DATE: _____

SHEET NUMBER

S1.6



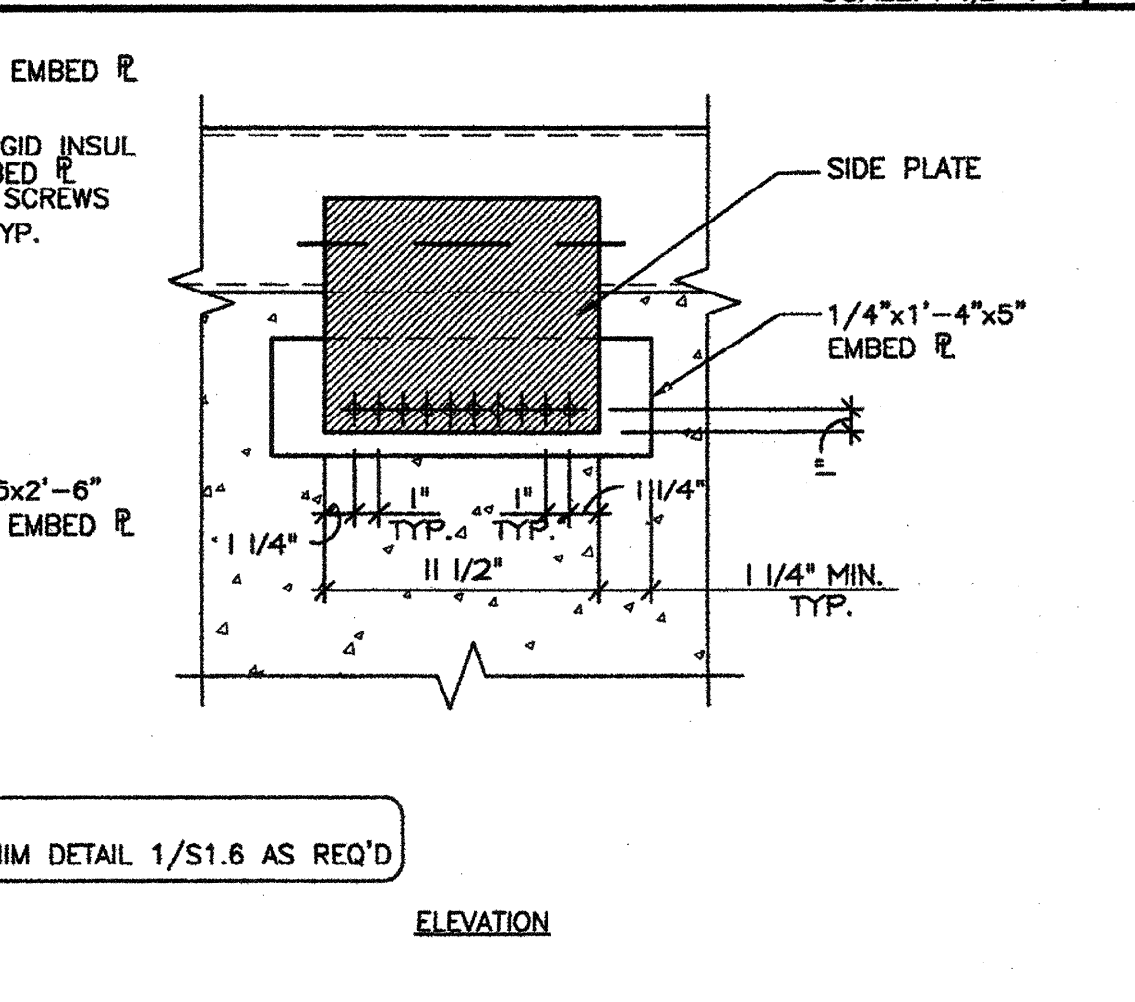
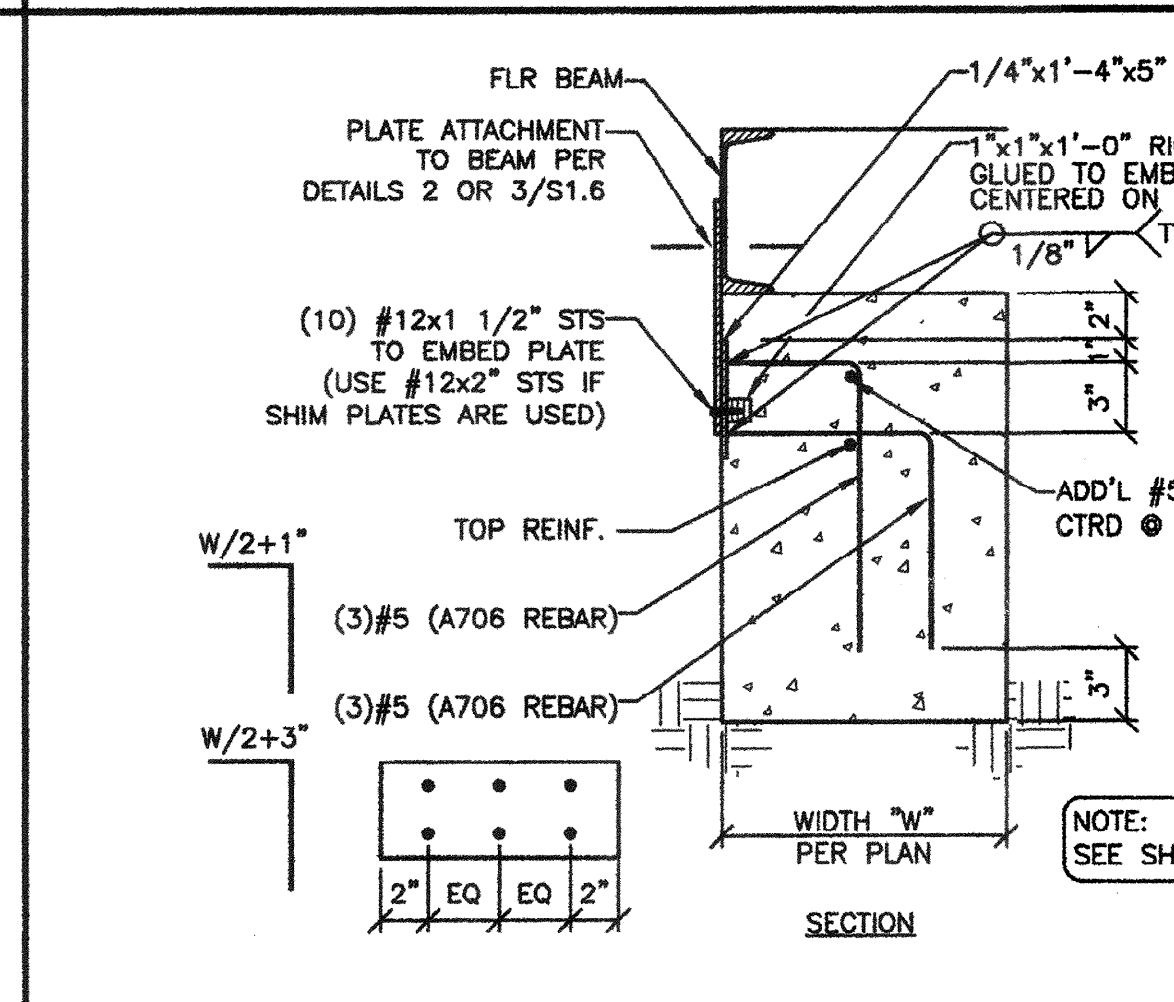
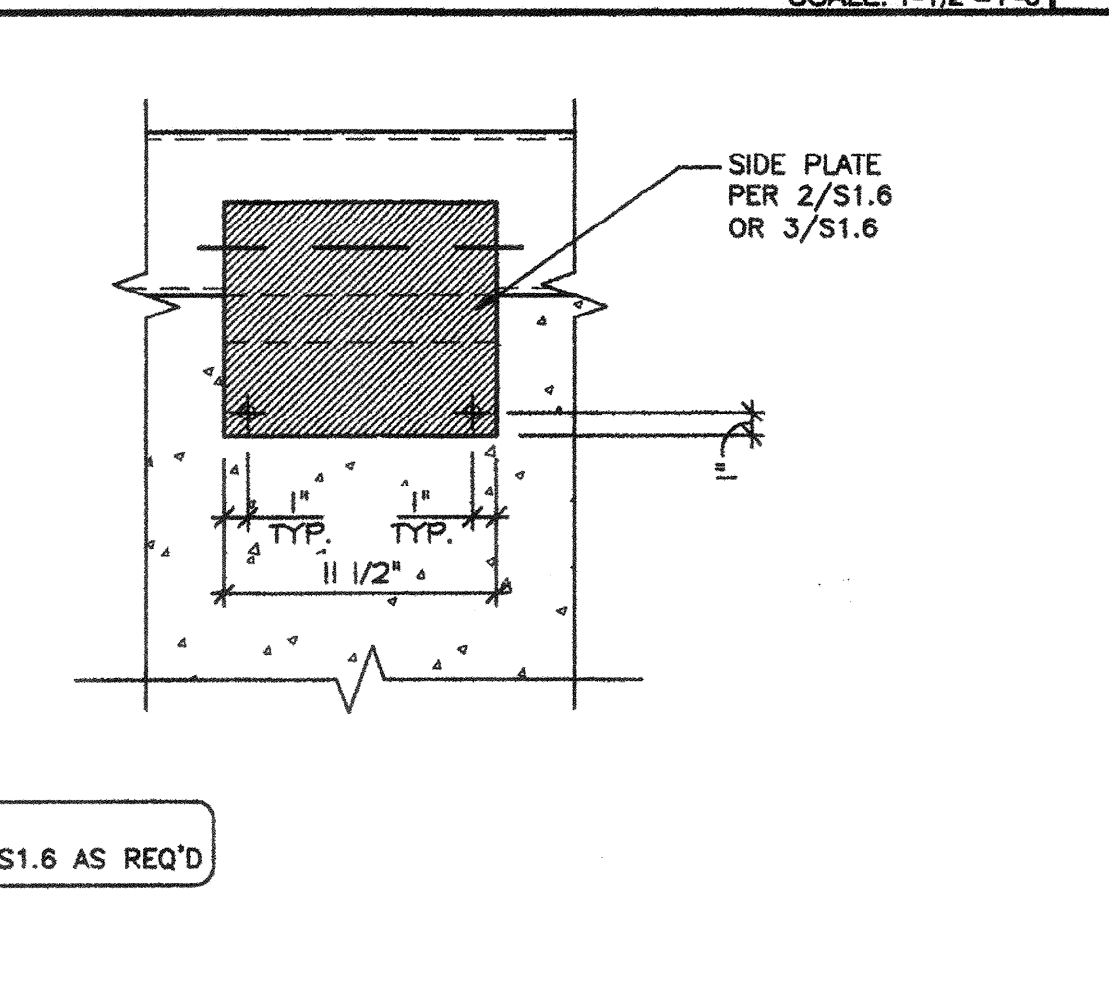
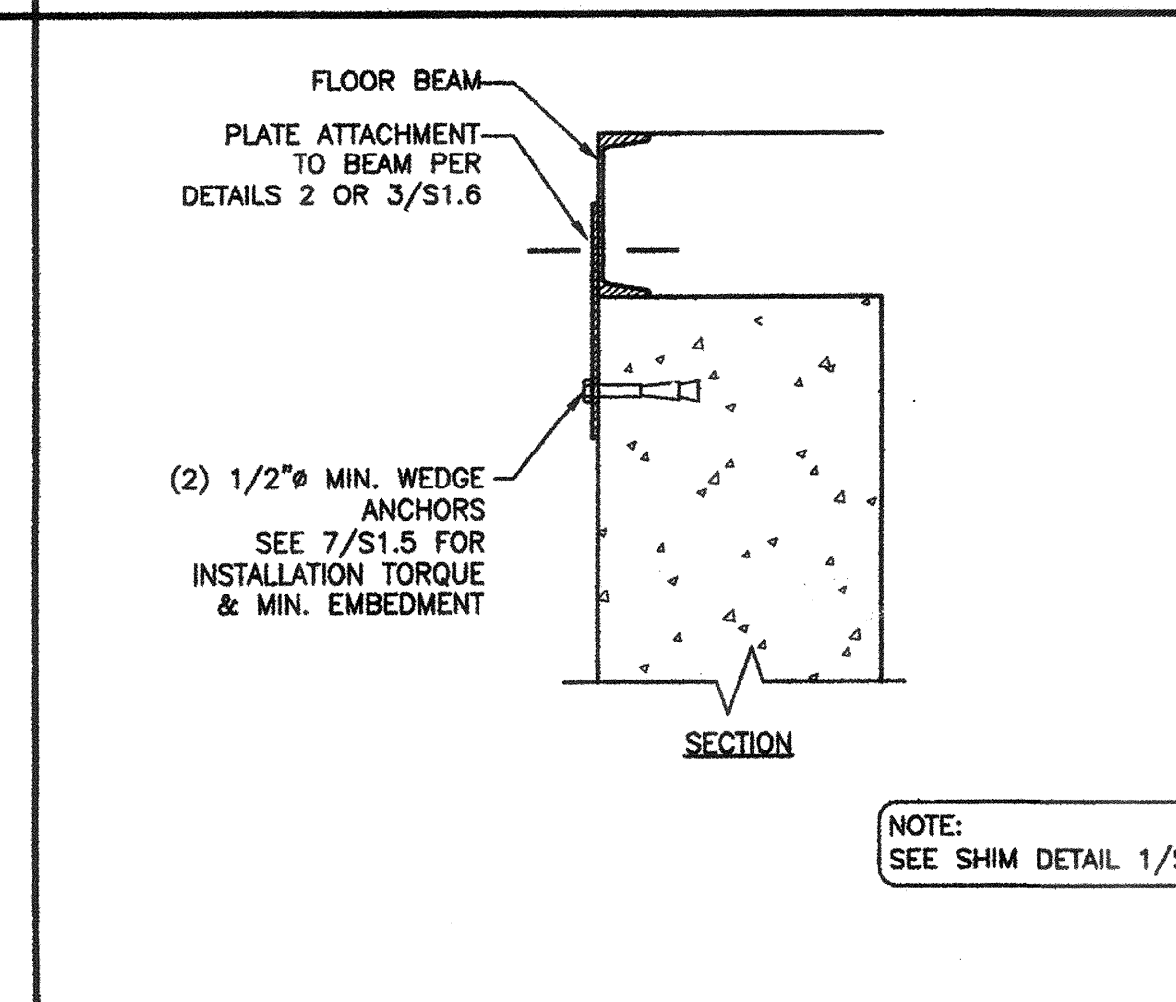
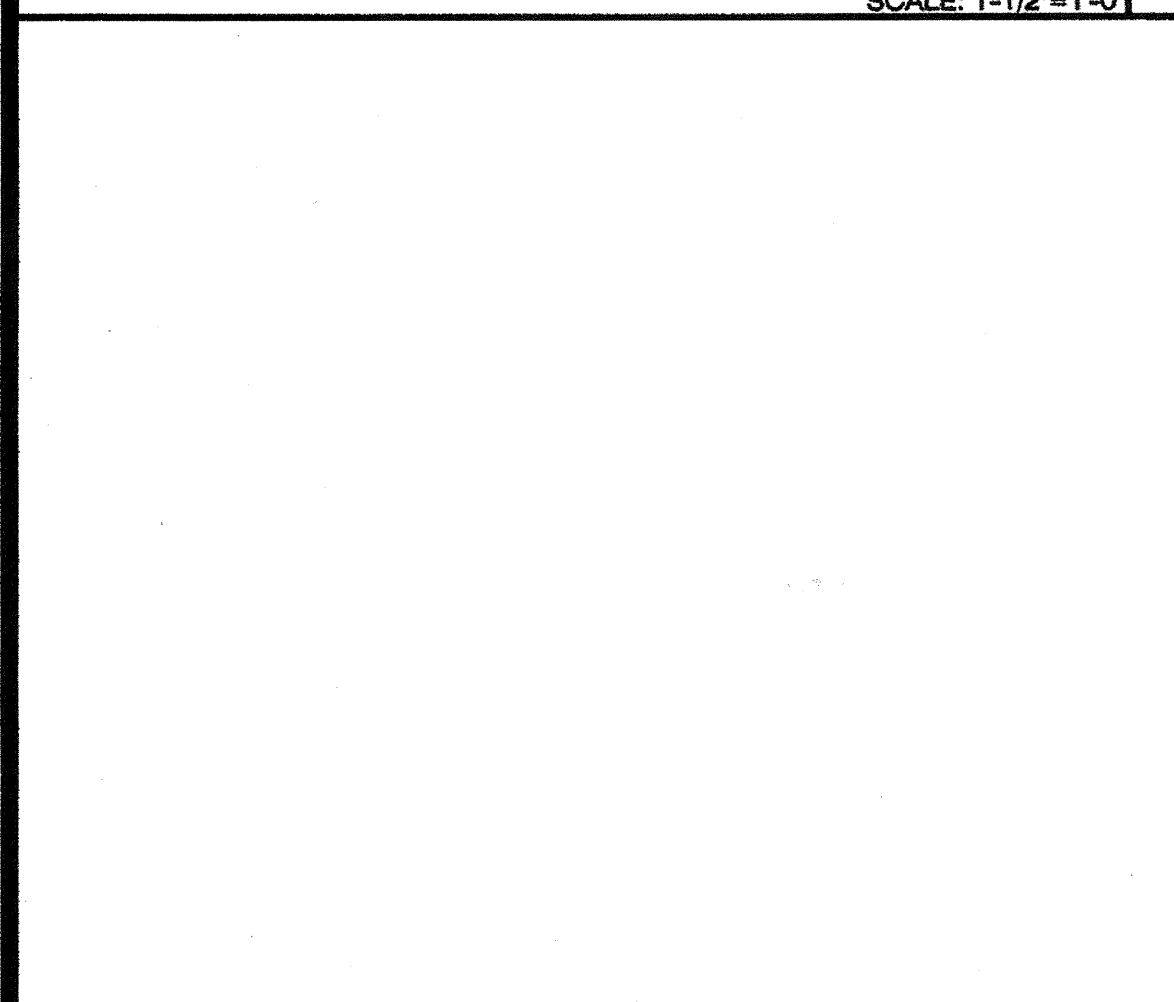
ALTERNATE SIDE PLATE SHIM DETAIL SCALE: 1-1/2"=1'-0"

ALTERNATE SIDE PLATE DETAIL SCALE: 1-1/2"=1'-0"

ALTERNATE SIDE PLATE DETAIL SCALE: 1-1/2"=1'-0"

ALTERNATE SIDE PLATE DETAIL SCALE: 1-1/2"=1'-0"

ALTERNATE SIDE PLATE DETAIL SCALE: 1-1/2"=1'-0"



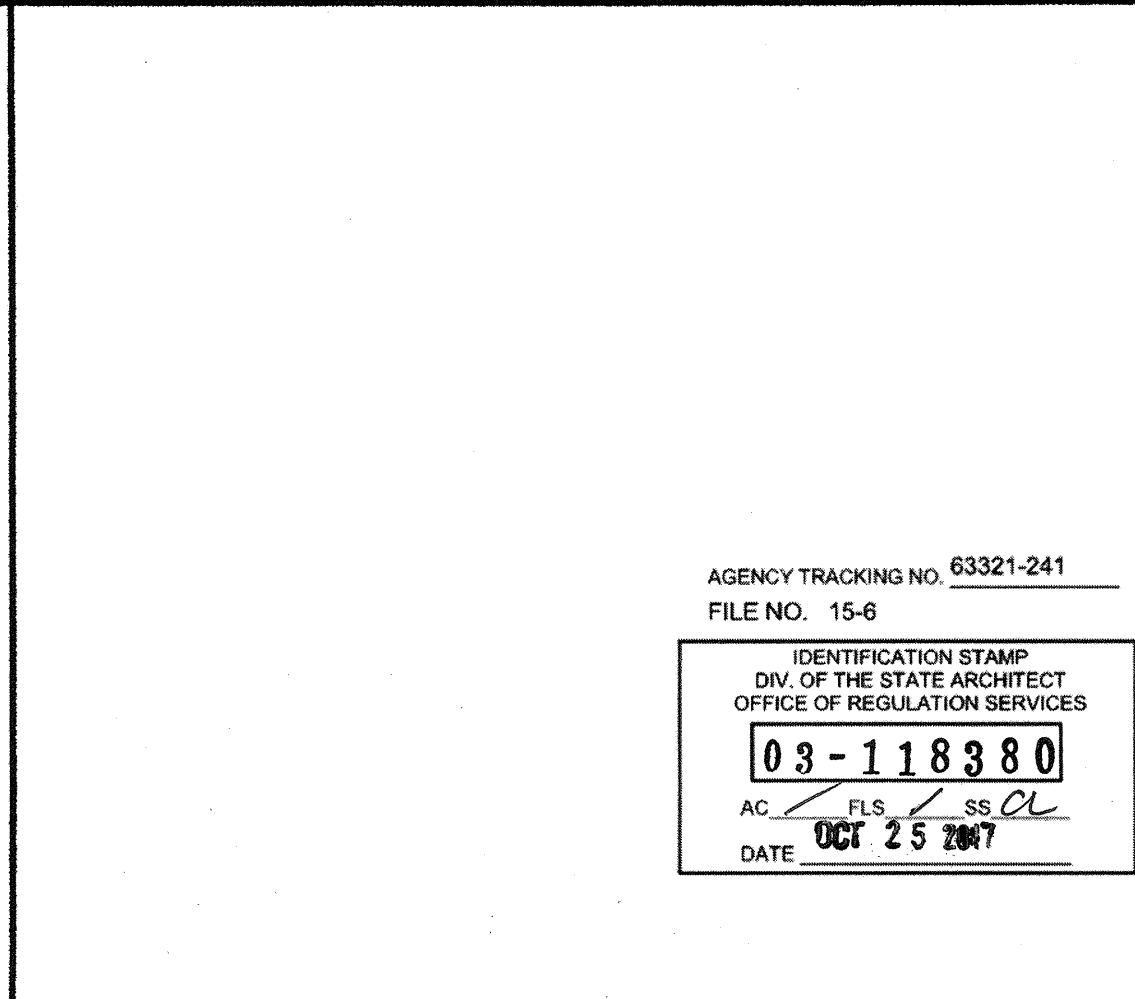
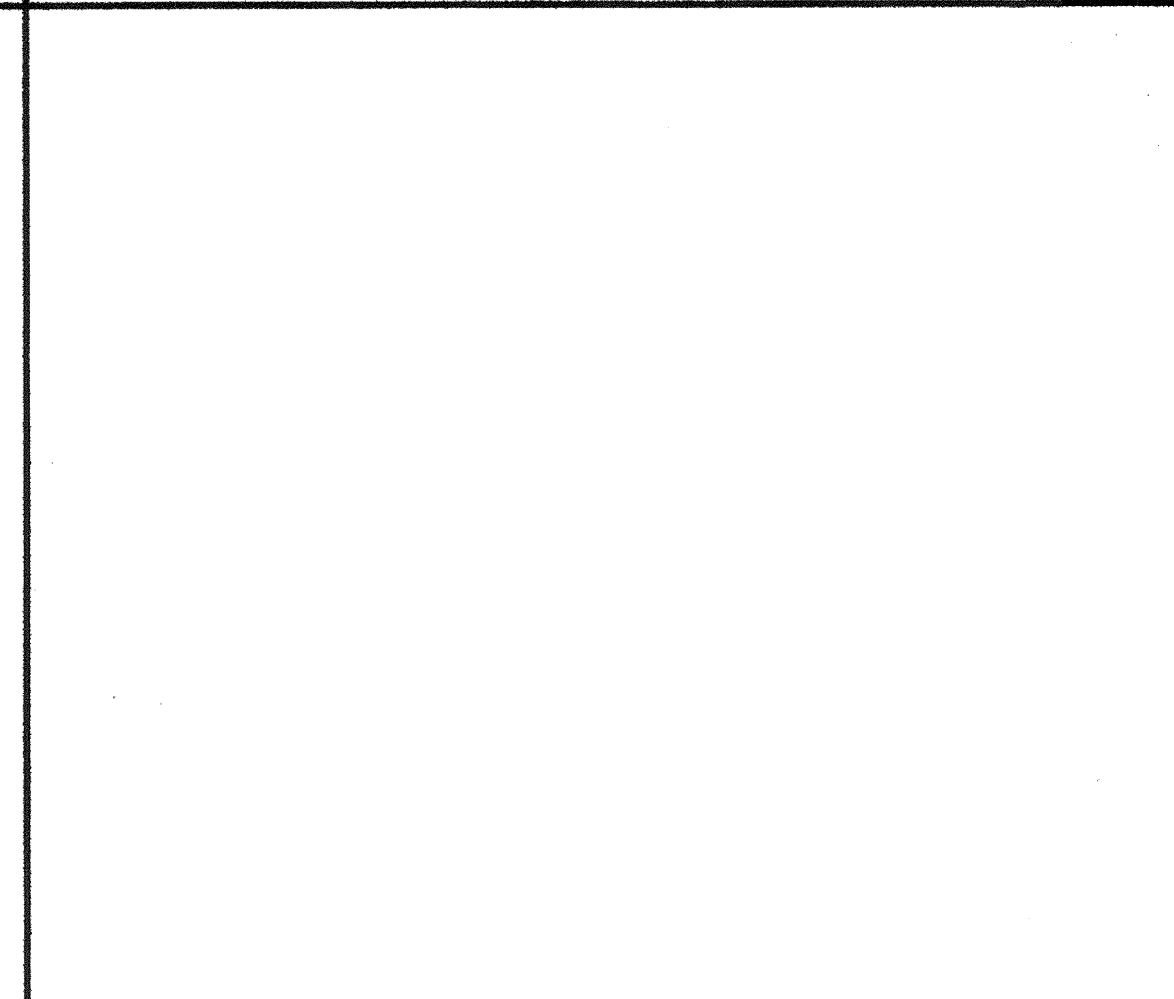
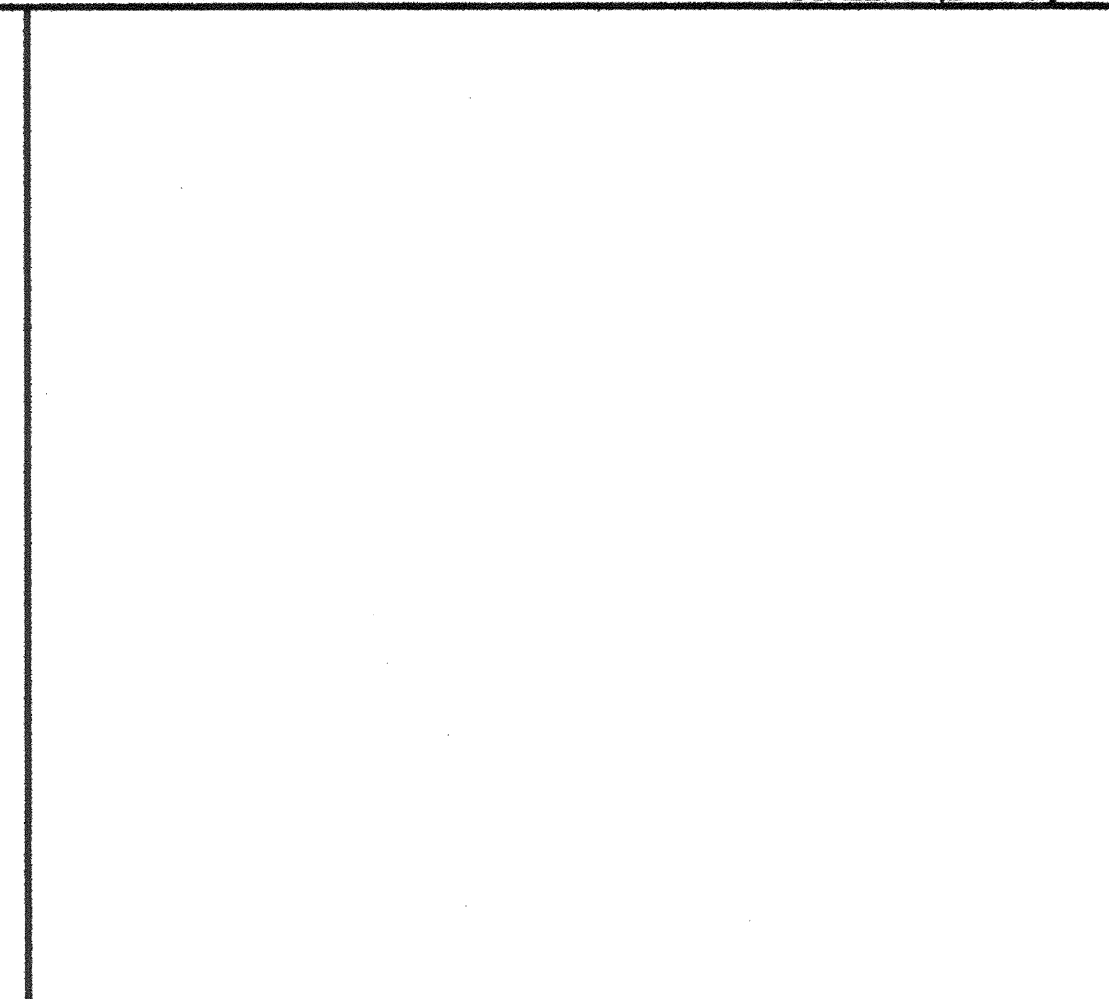
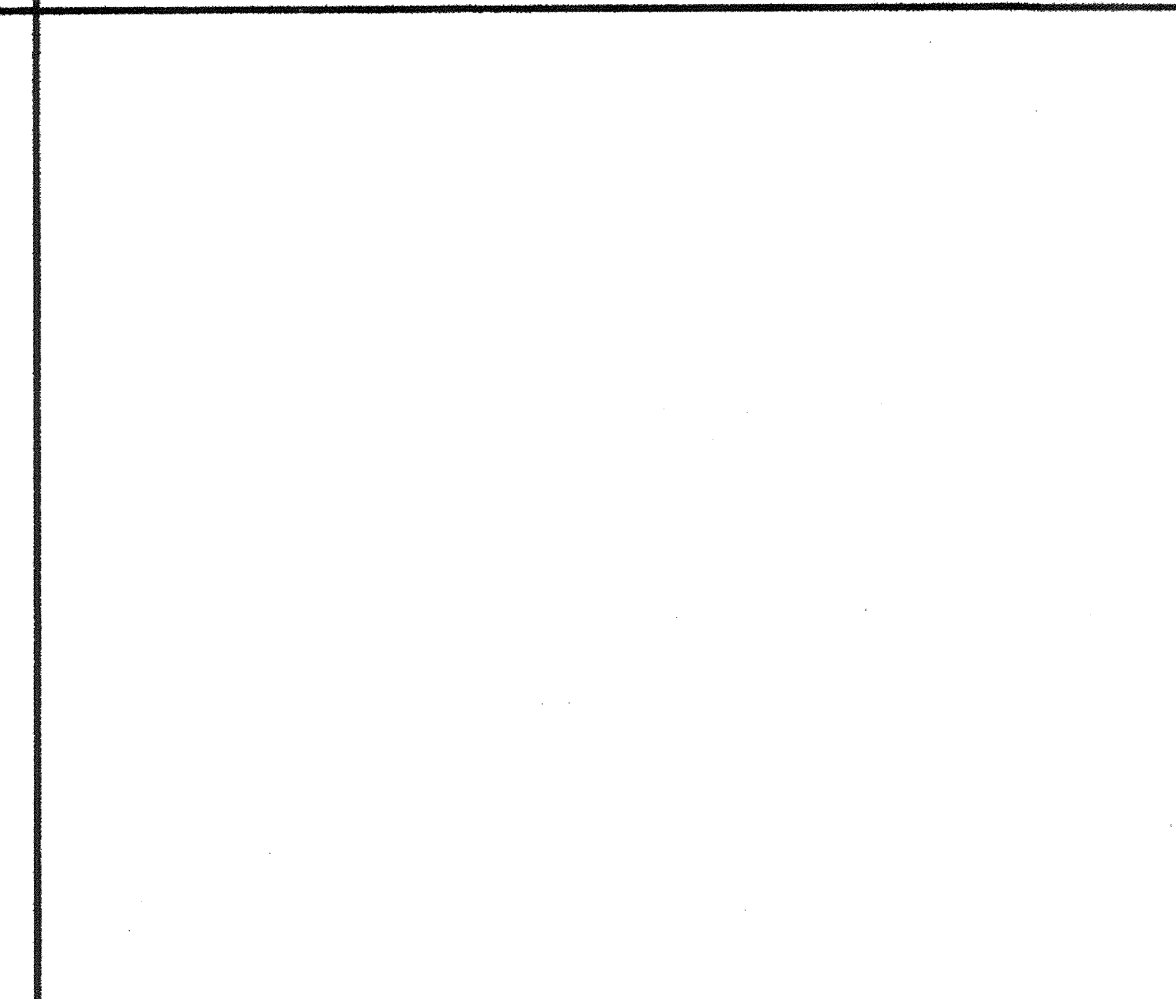
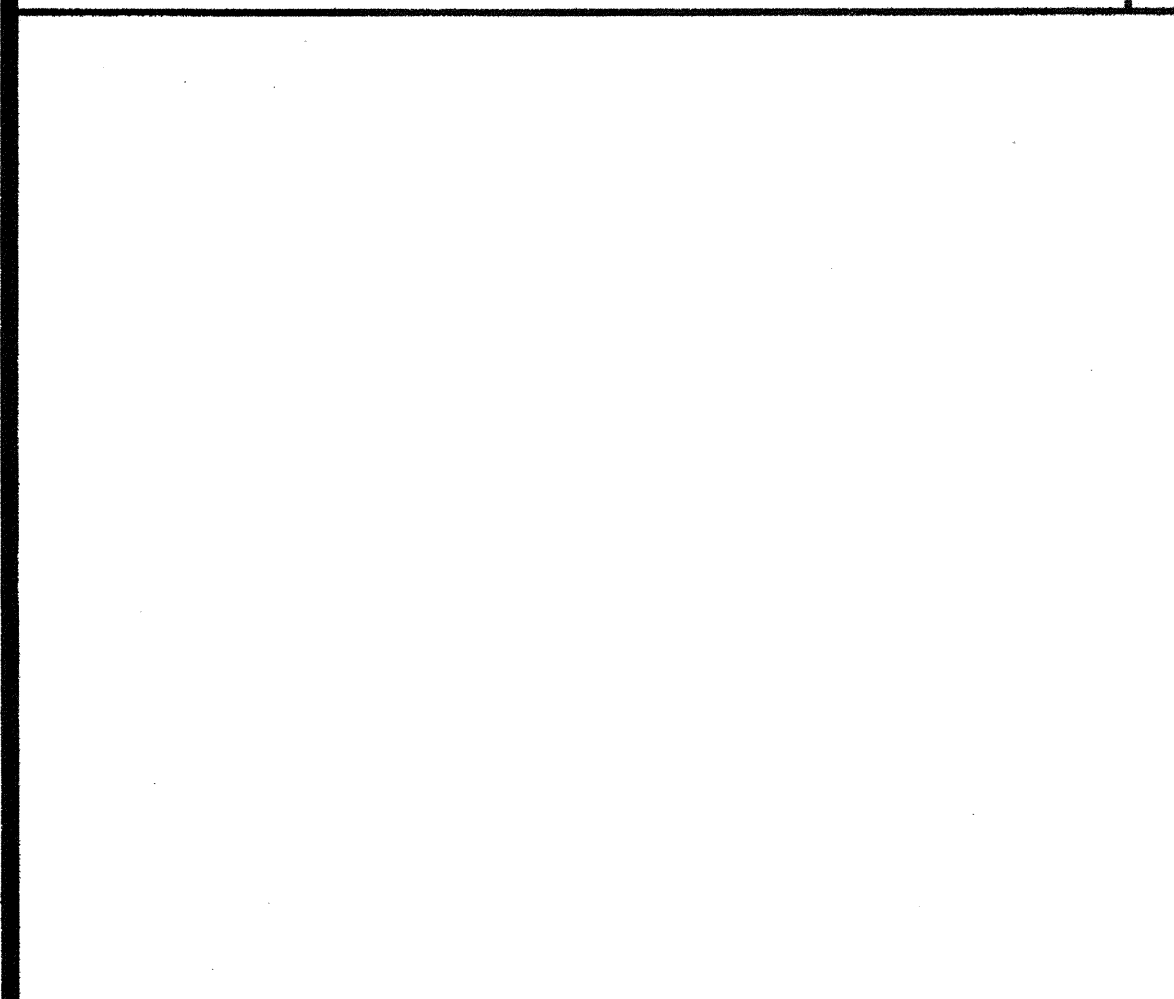
NOT USED

ALTERNATE SIDE PLATE BOTTOM ATTACHMENT DETAIL SCALE: 1-1/2"=1'-0"

ALTERNATE SIDE PLATE ALTERNATE BOTTOM ATTACHMENT DETAIL SCALE: 1-1/2"=1'-0"

ALTERNATE SIDE PLATE ALTERNATE BOTTOM ATTACHMENT DETAIL SCALE: 1-1/2"=1'-0"

ALTERNATE SIDE PLATE ALTERNATE BOTTOM ATTACHMENT DETAIL SCALE: 1-1/2"=1'-0"



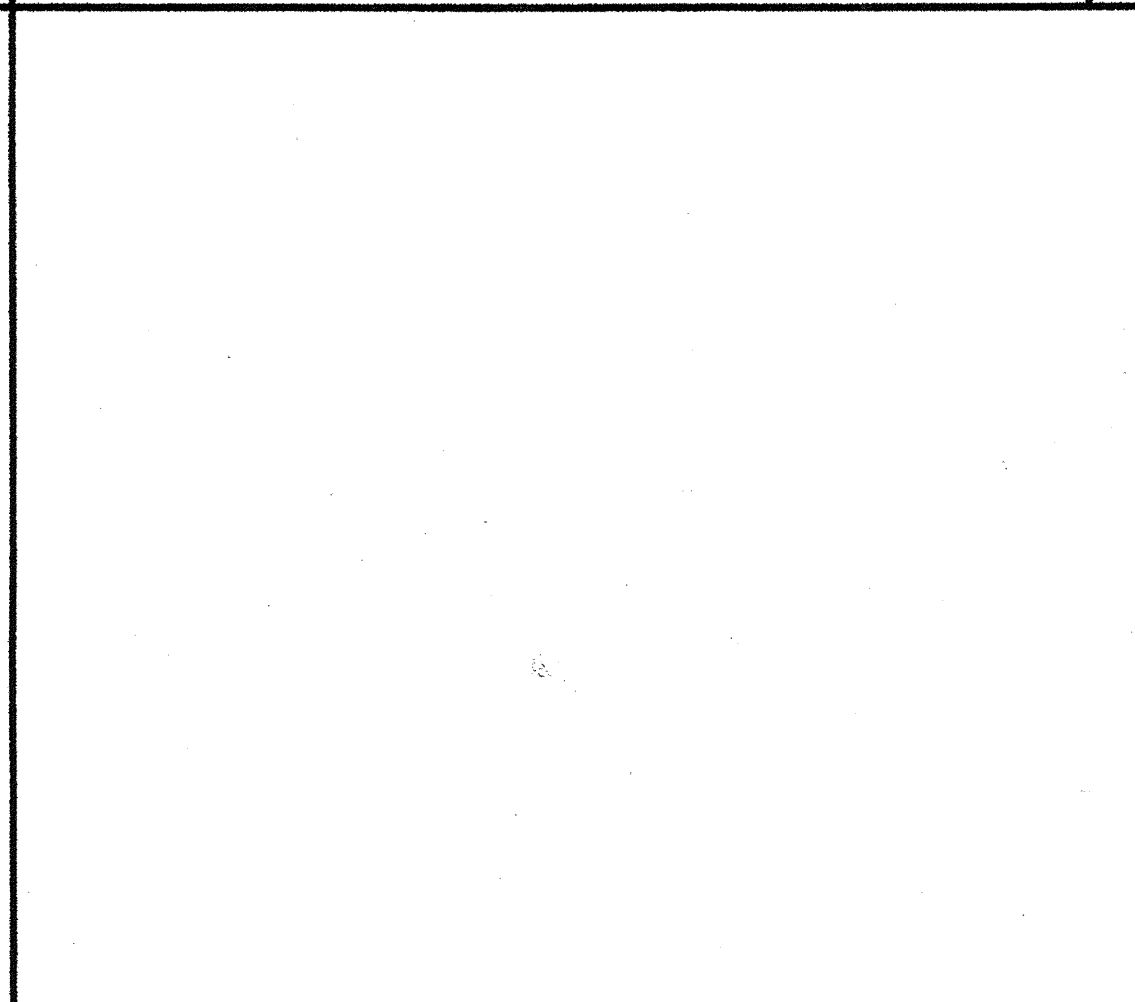
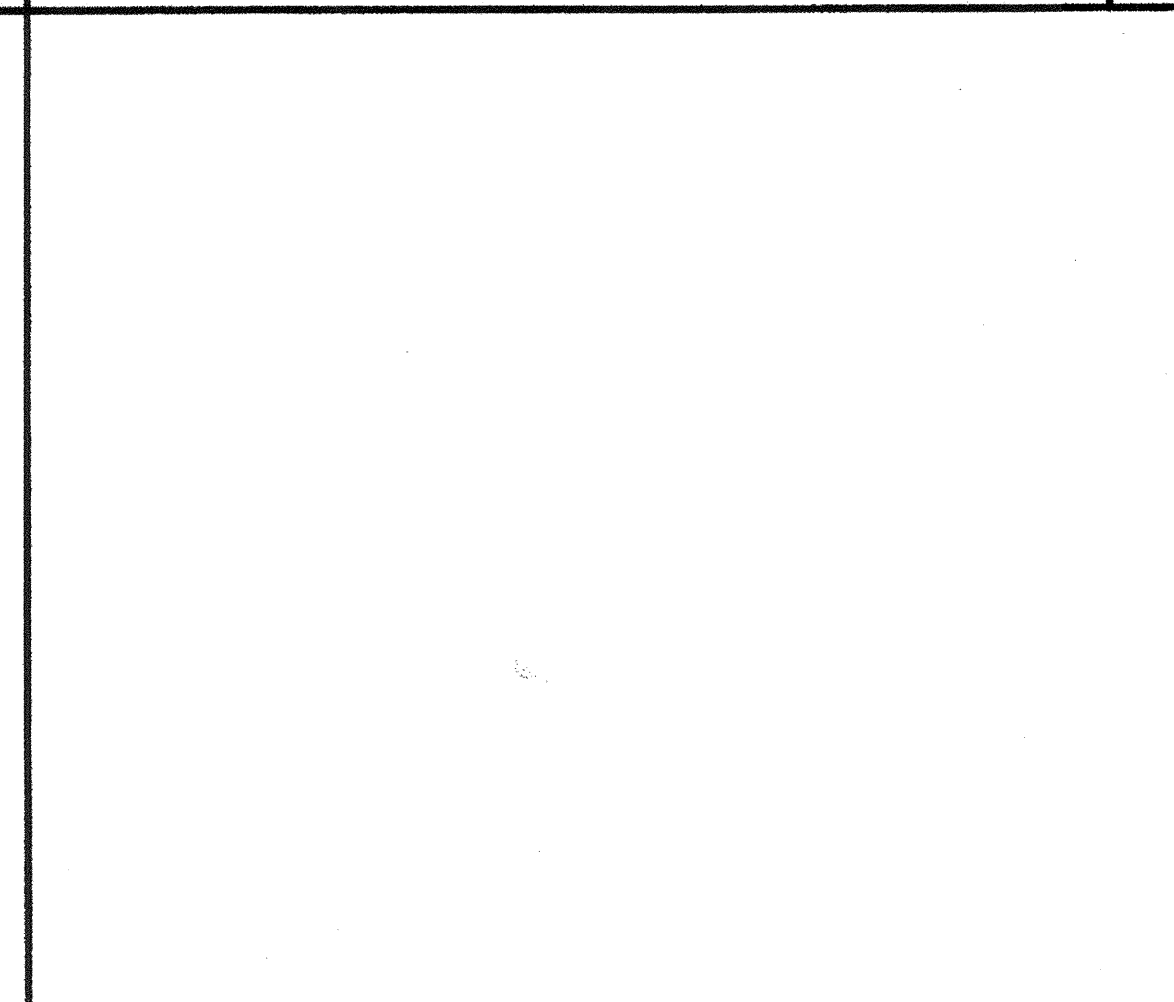
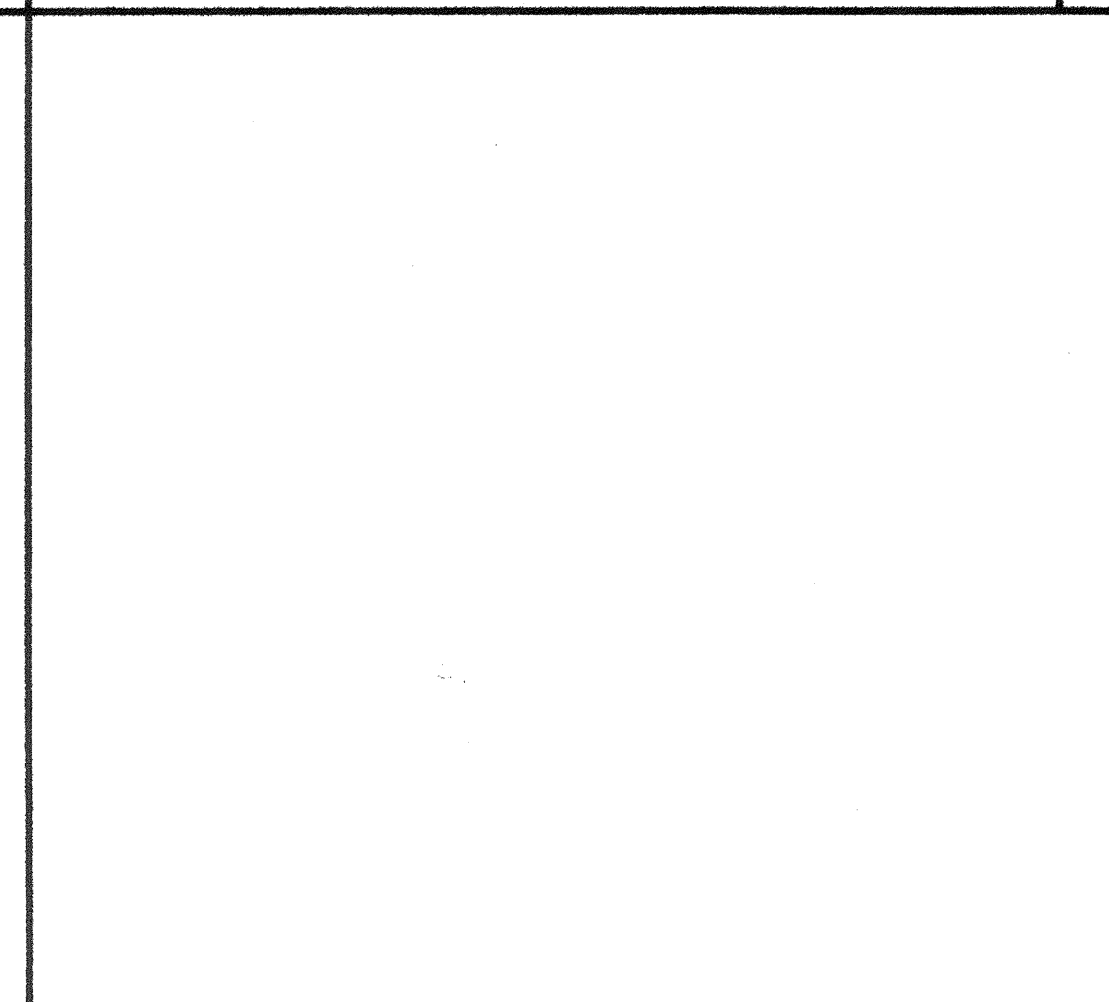
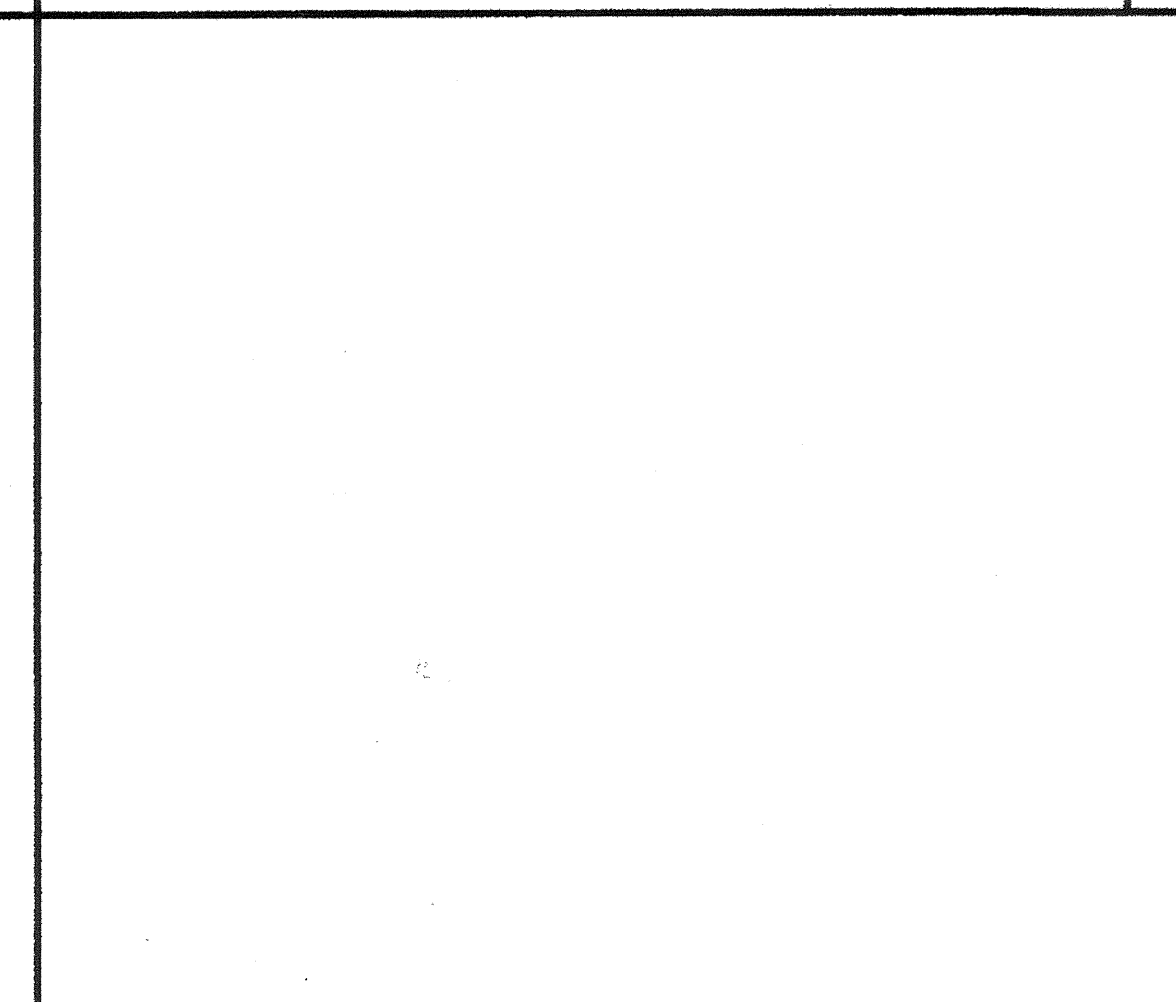
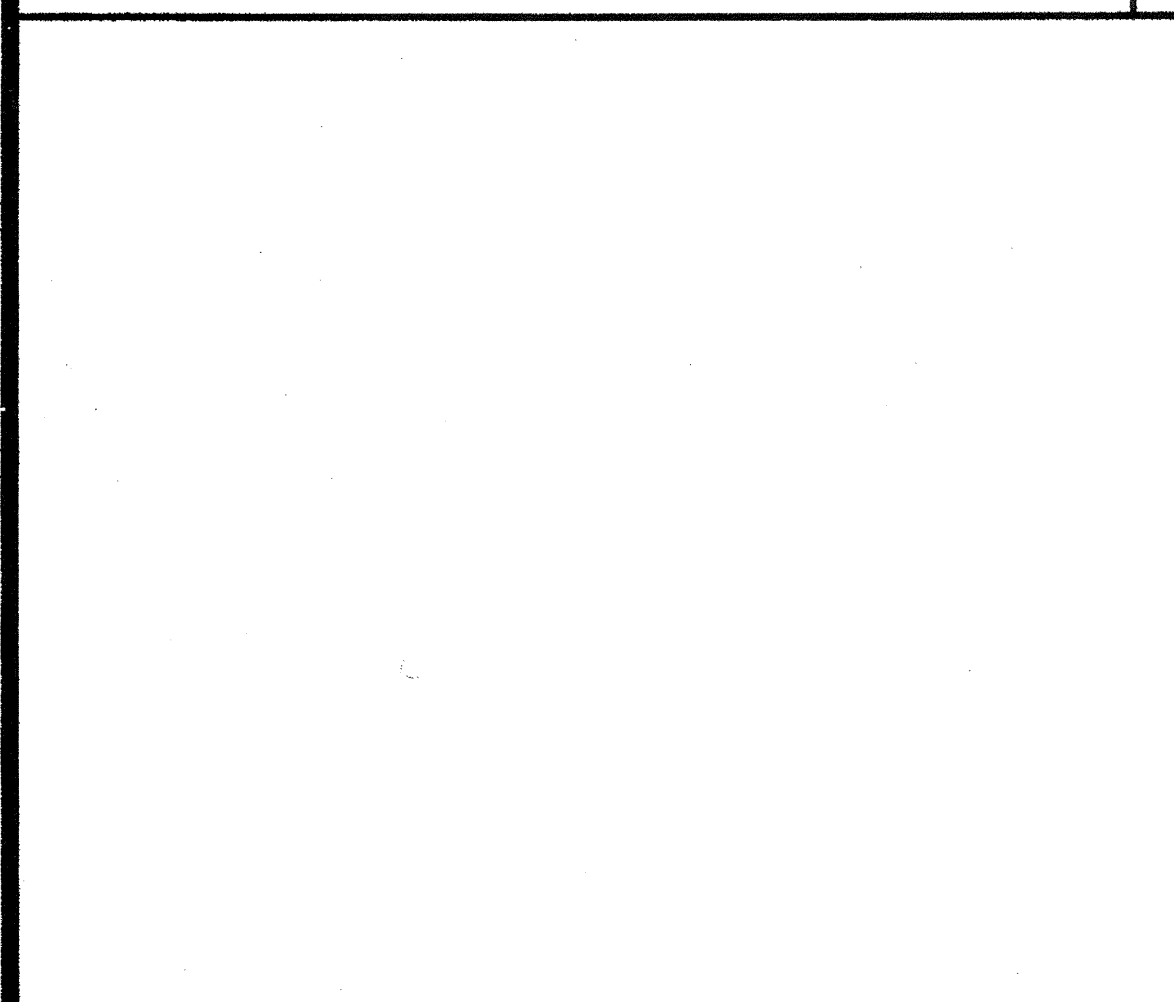
NOT USED

NOT USED

NOT USED

NOT USED

NOT USED



NOT USED

NOT USED

NOT USED

NOT USED

NOT USED

2015-11-10 10:00 AM 11/17/2015 8:24 AM
 2015-11-10 10:00 AM 11/17/2015 8:24 AM
 2015-11-10 10:00 AM 11/17/2015 8:24 AM