

MODULAR MANUFACTURER PROPRIETARY STATEMENT

THESE DRAWINGS AND THE MATERIAL CONTAINED THEREIN ARE THE PROPERTY OF AMERICAN MODULAR SYSTEMS, INC. (AMS) AND SHALL NOT BE REPRODUCED, COPIED OR OTHERWISE DISPOSED OF DIRECTLY OR INDIRECTLY AND SHALL NOT BE USED IN WHOLE OR IN PART TO ASSIST IN THE MAKING OF OR FOR THE PURPOSE OF FURNISHING ANY INFORMATION FOR THE MAKING OF DRAWINGS, PRINTS, APPARATUS OR PARTS THEREOF WITHOUT THE FULL KNOWLEDGE AND WRITTEN CONSENT OF AMS. ALL PATENTABLE MATERIAL CONTAINED HEREIN AND ORIGINATING WITH AMS SHALL BE THE SOLE PROPERTY OF AMS.

PRE-CHECKED SET NAME

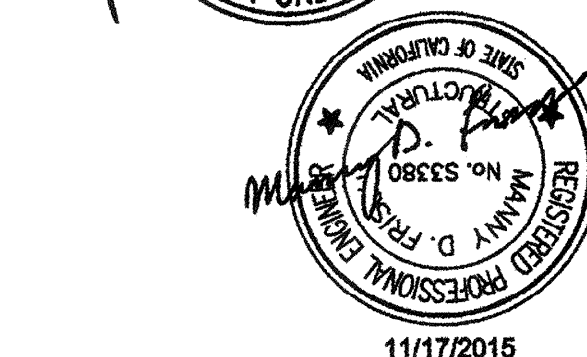
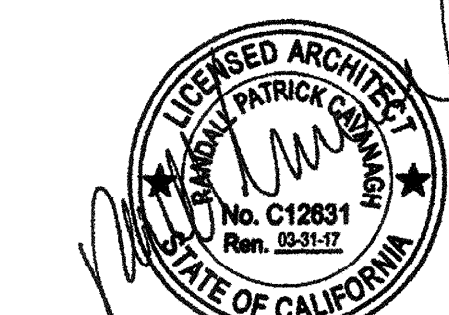
24' x 40' THRU 120' x 40'  
2:12 PITCHED ROOF

SITE SPECIFIC PROJECT NAME

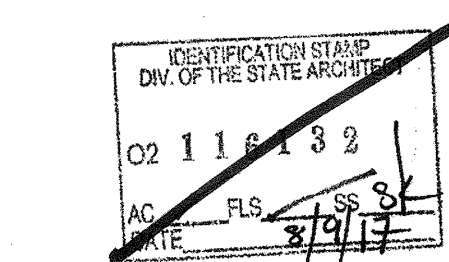
SHEET TITLE

CONCRETE FOUNDATION  
DETAILS

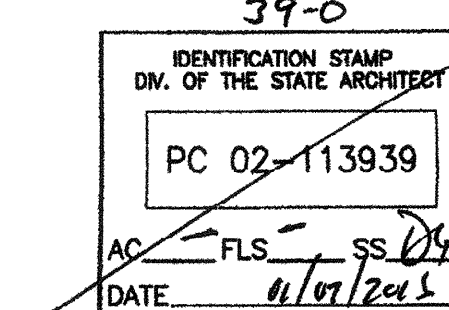
MANUFACTURER PROFESSIONAL OF RECORD ON PC



PROJECT SPECIFIC STATE AGENCY APPROVAL



ORIGINAL PC STATE AGENCY APPROVAL

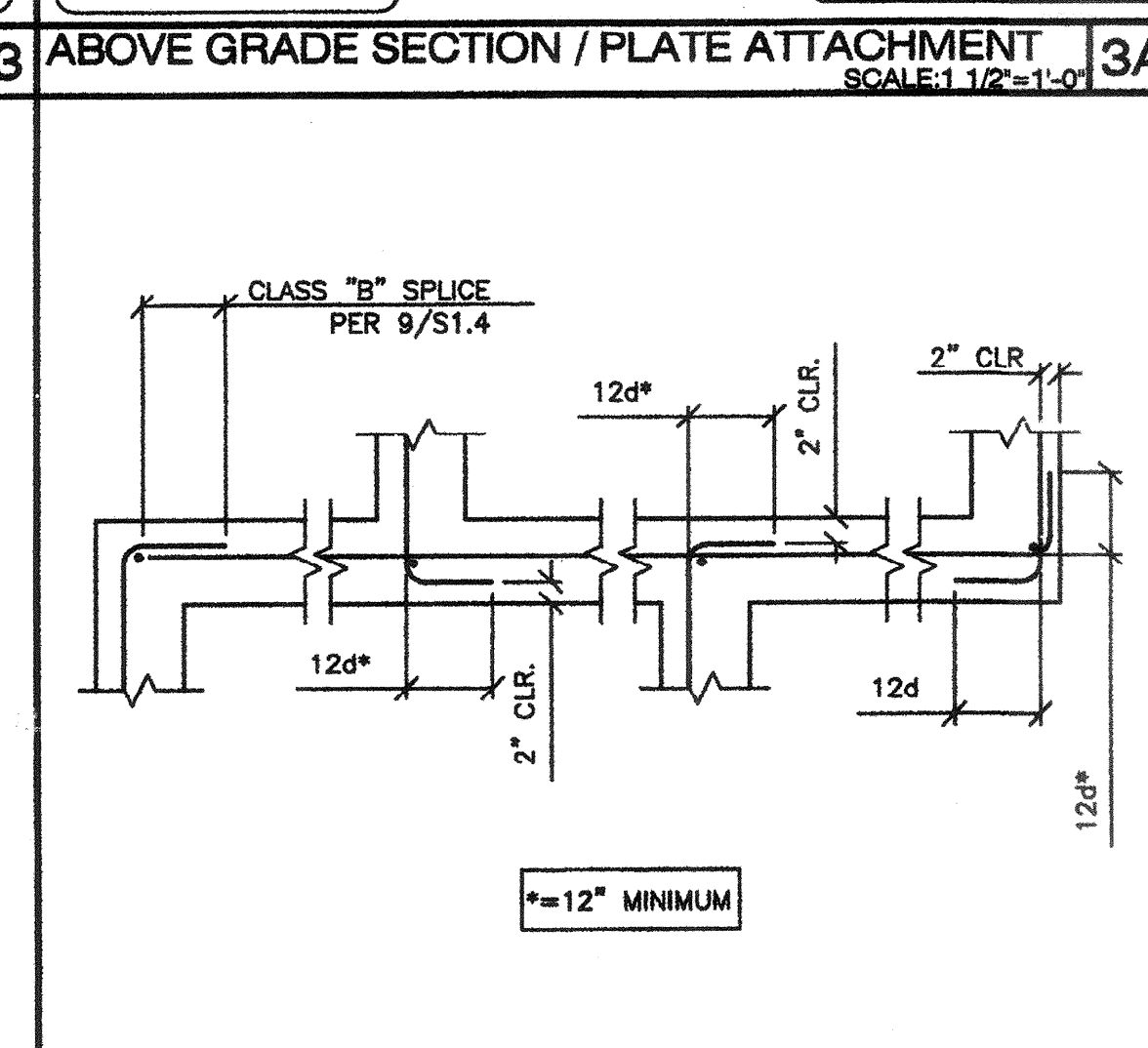
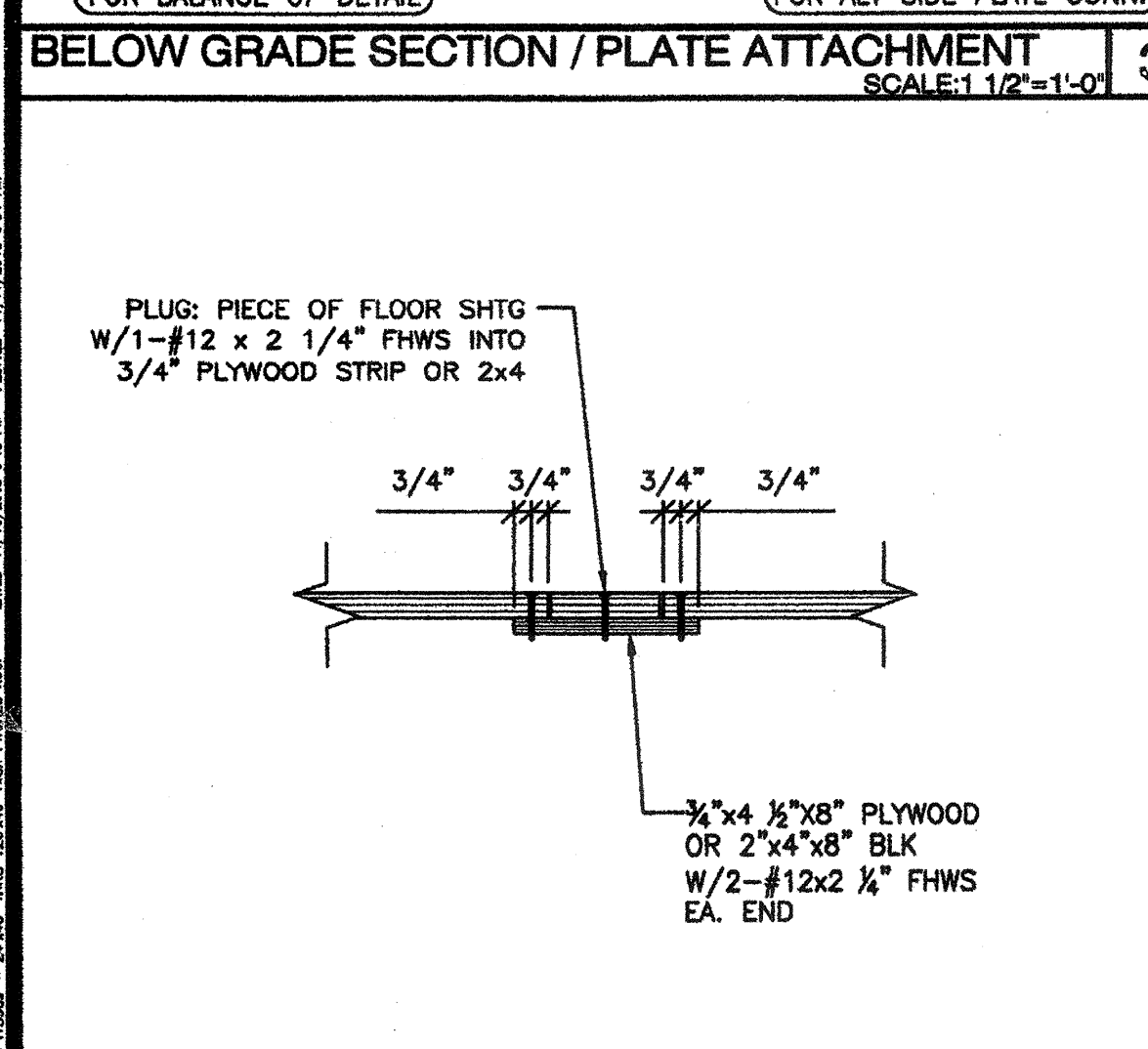
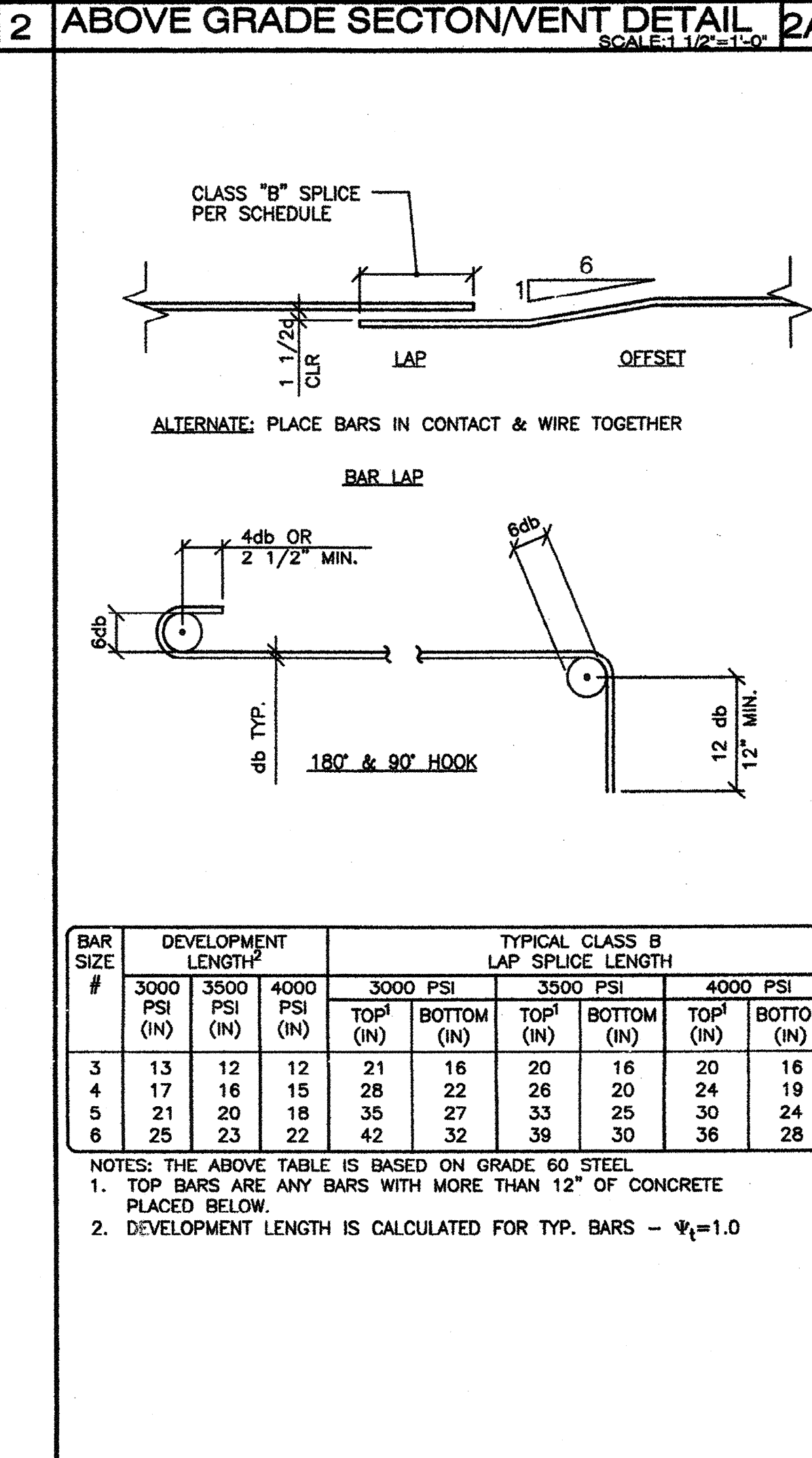
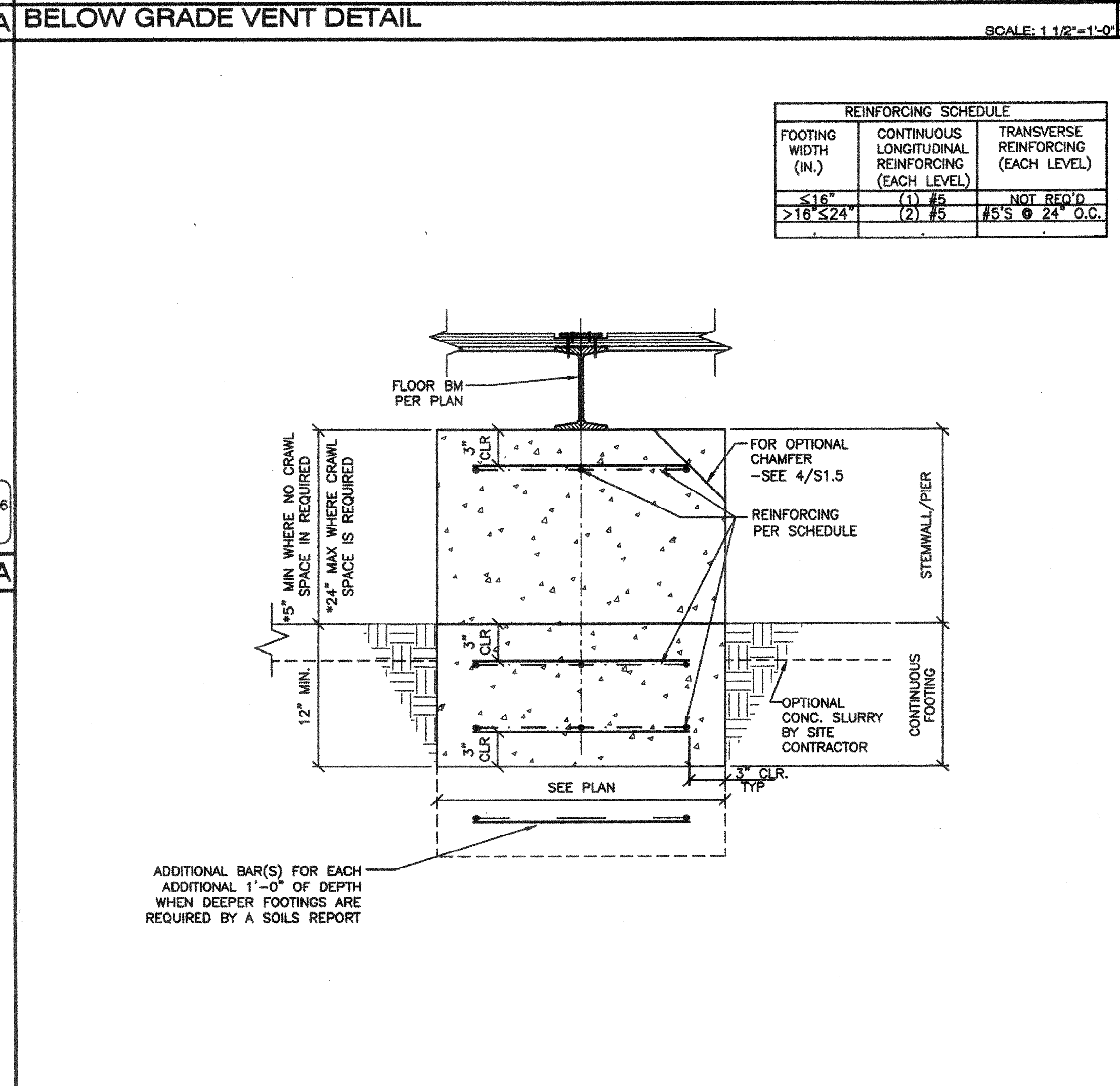
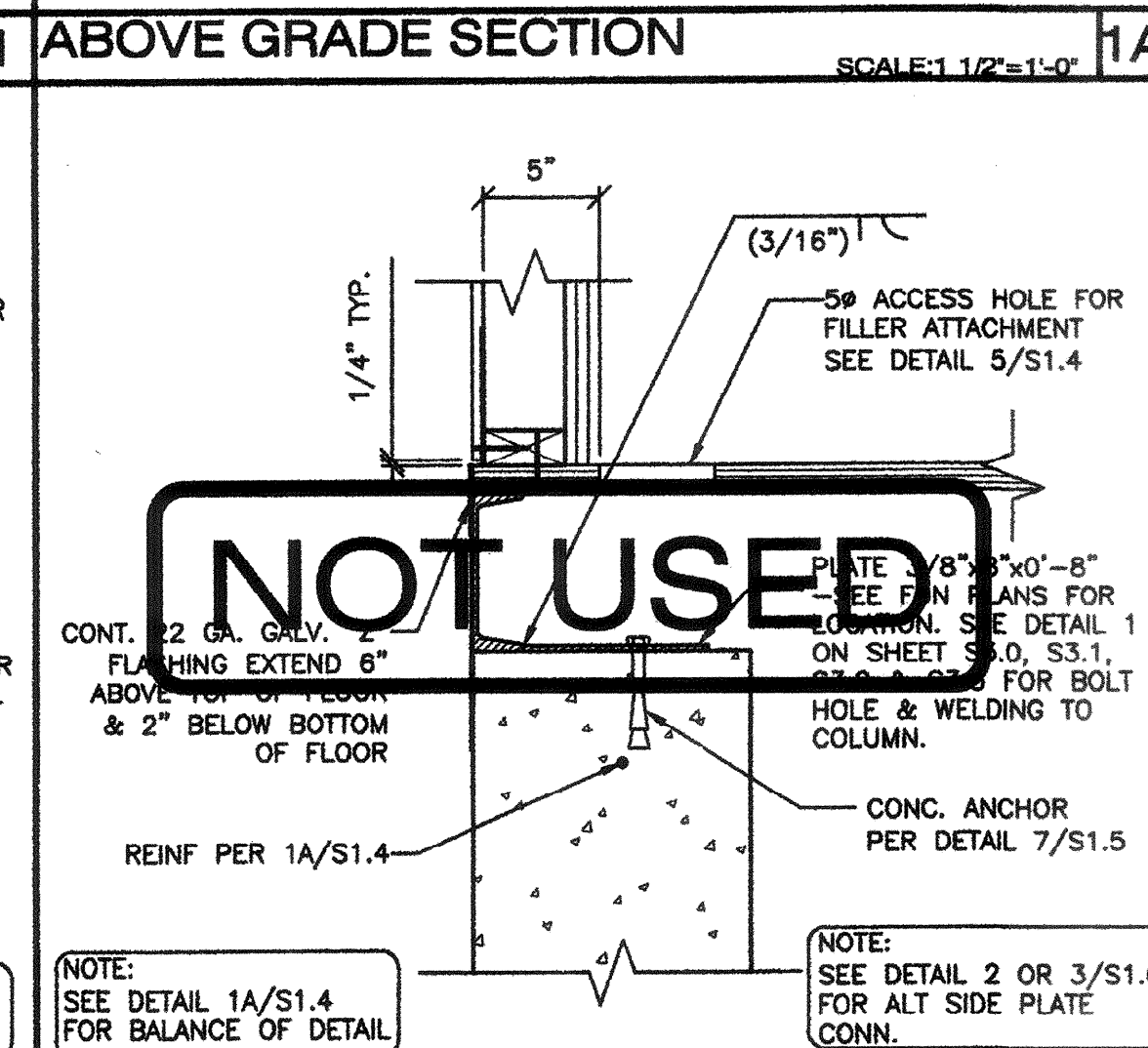
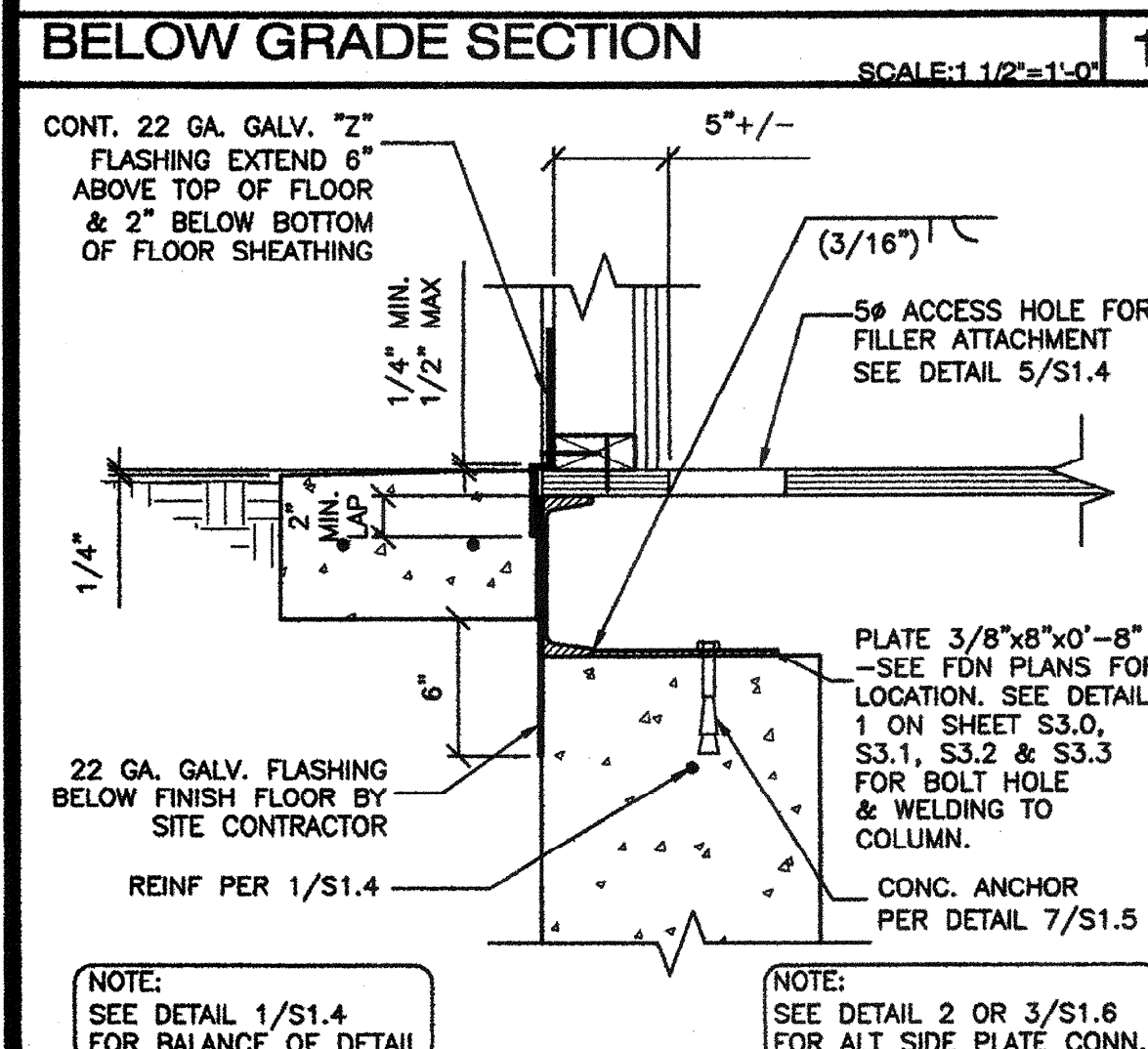
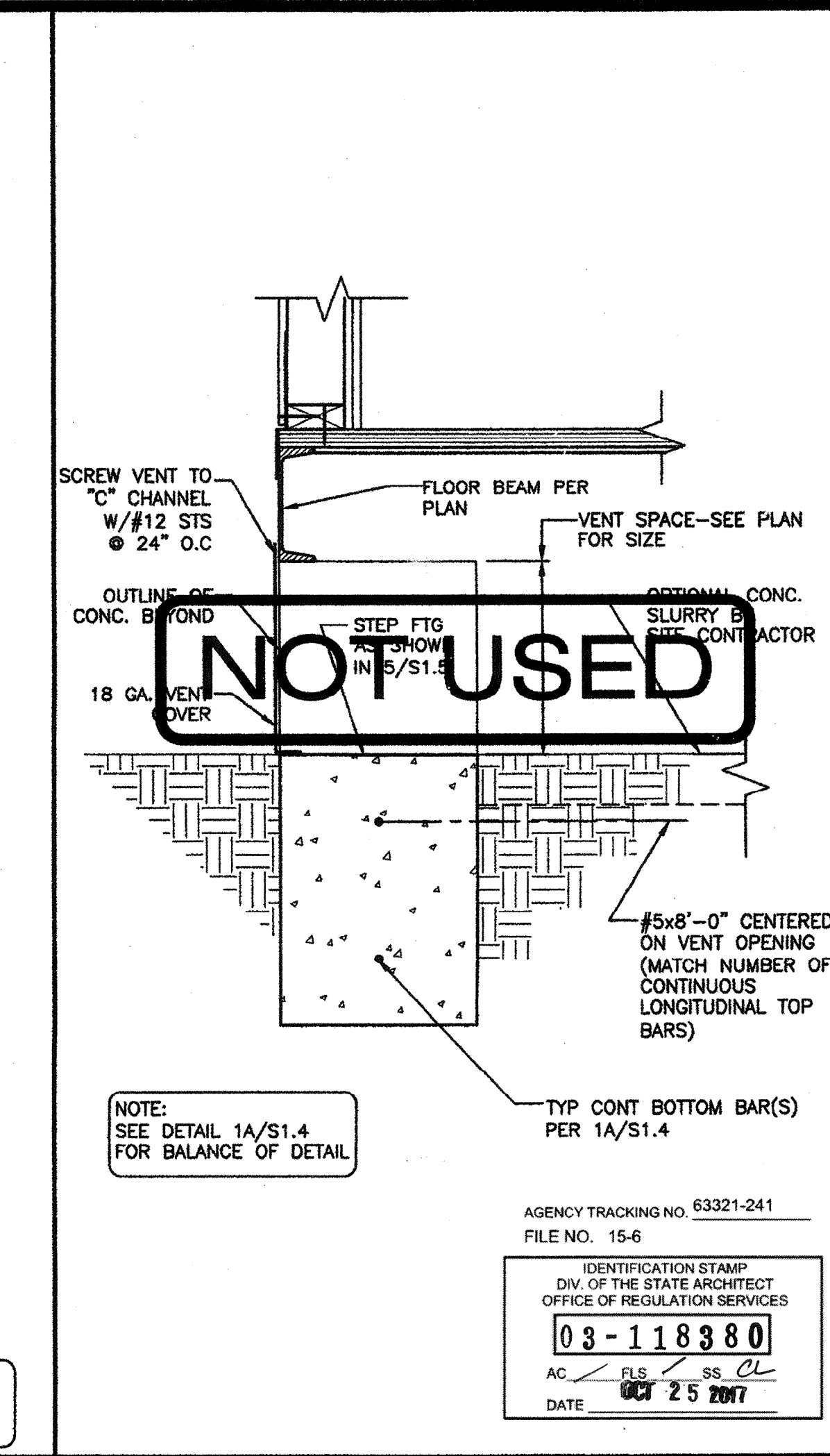
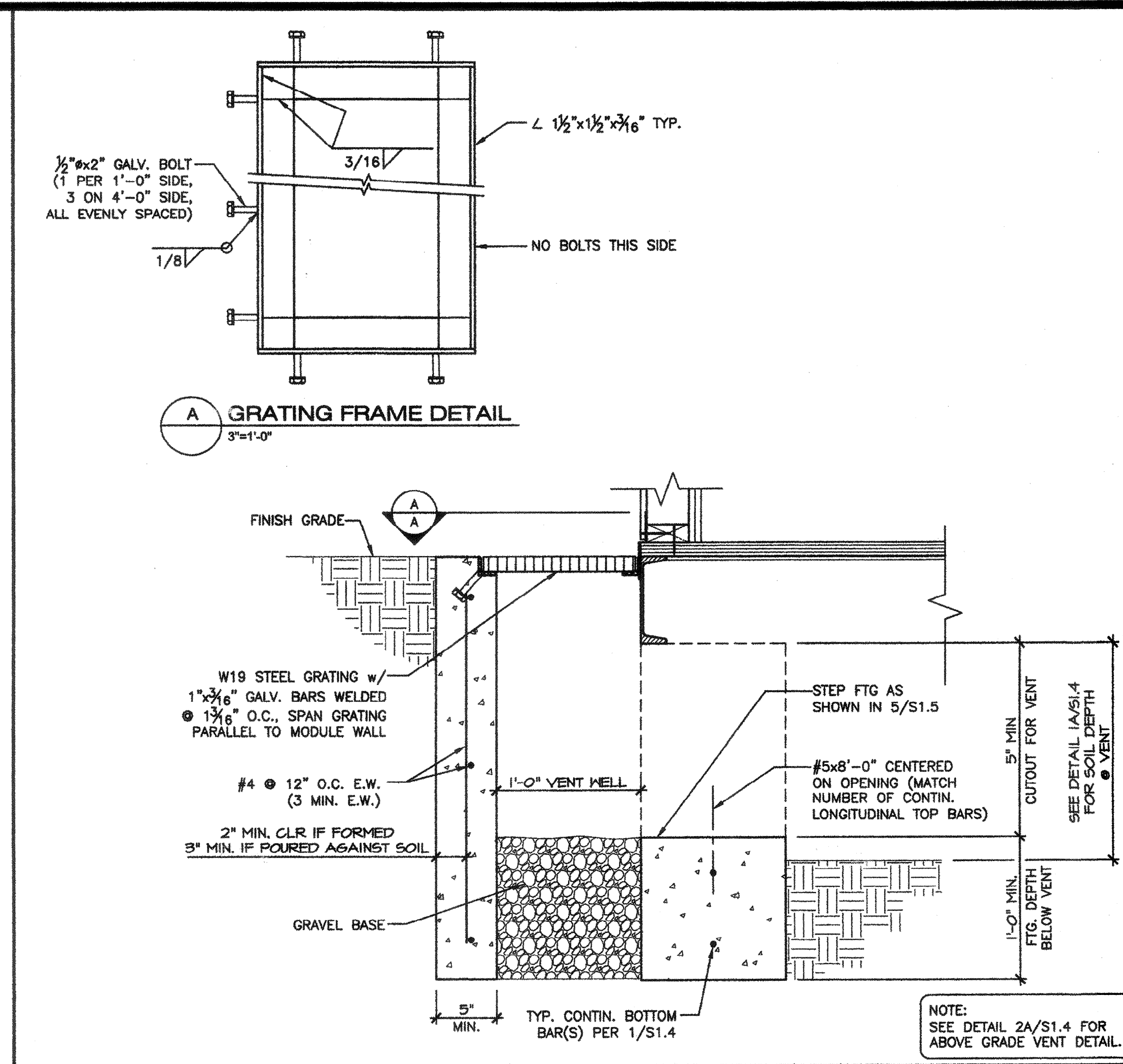
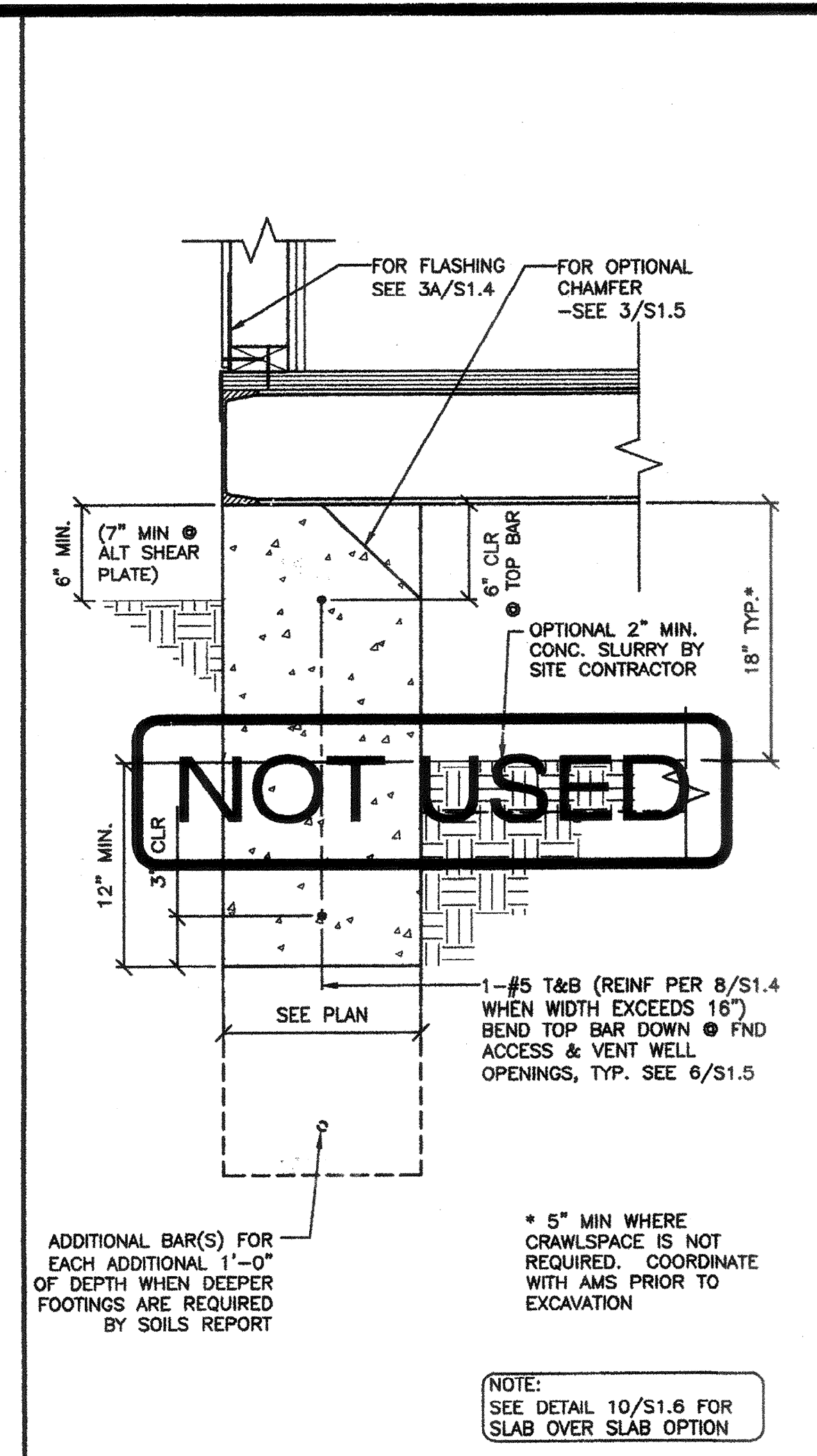
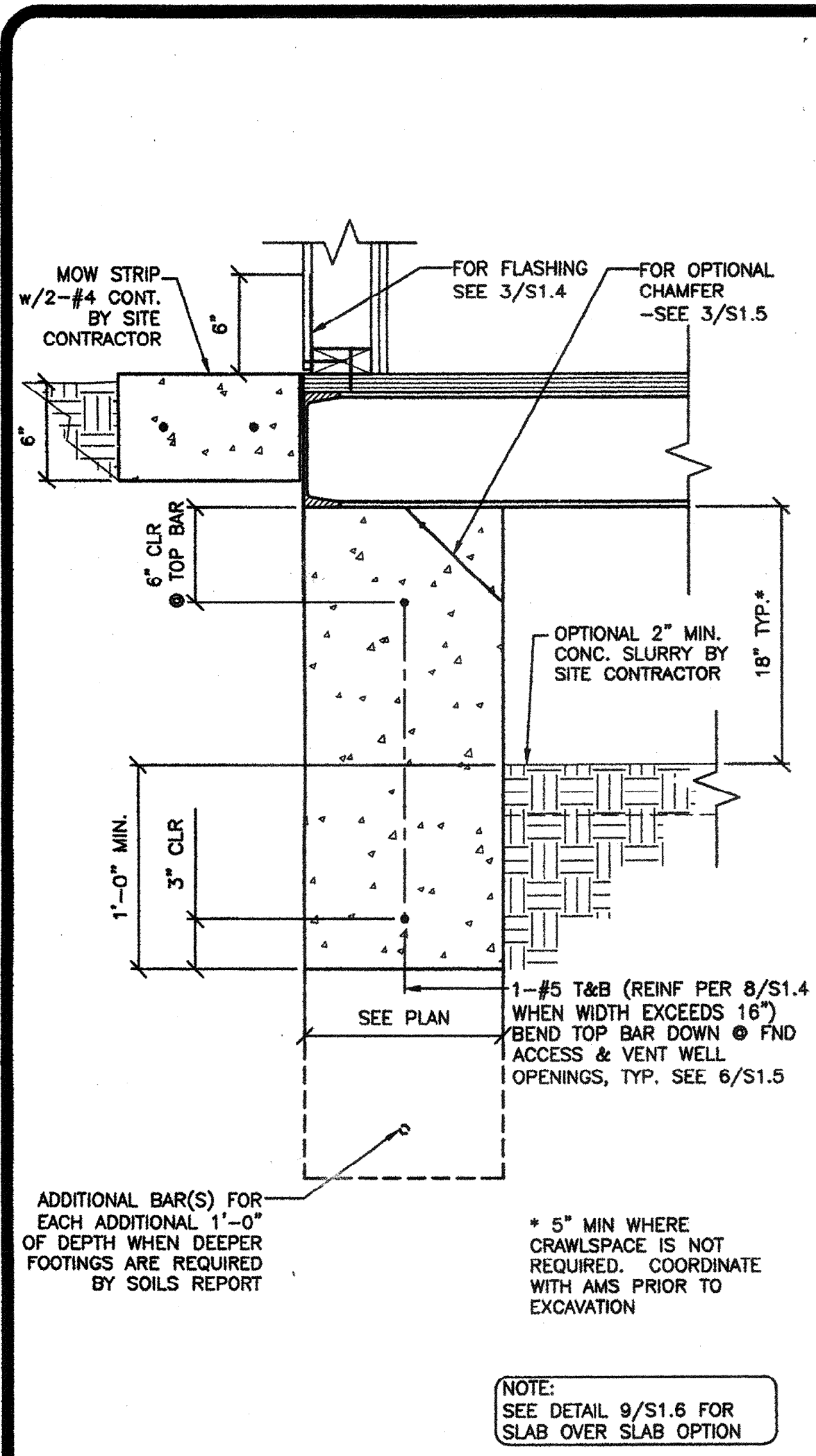


PRE-CHECK (PC) DOCUMENT - CODE: 2013 CBC A SEPARATE PROJECT APPLICATION FOR CONSTRUCTION IS REQUIRED

REVISIONS

DRAWN BY: AS NOTED  
SCALE: AS NOTED  
DATE:

SHEET NUMBER  
**S1.4**



6 CENTER PIER SECTION SCALE: 1/2"=1'-0"

8 TYPICAL REINFORCING BENDS SCALE: 1/2"=1'-0"

5 FILLER ACCESS HOLE DETAIL SCALE: 1/2"=1'-0"

5 TYPICAL FOOTING REINFORCING @ CORNER & INTERSECTIONS SCALE: 1/2"=1'-0"