

MODULAR MANUFACTURER PROPRIETARY STATEMENT

THESE DRAWINGS AND THE MATERIAL CONTAINED THEREIN ARE THE PROPERTY OF AMERICAN MODULAR SYSTEMS, INC. (AMS) AND SHALL NOT BE REPRODUCED, COPIED OR OTHERWISE DISPOSED OF DIRECTLY OR INDIRECTLY AND SHALL NOT BE USED IN WHOLE OR IN PART TO ASSIST IN THE MAKING OF OR FOR THE PURPOSE OF FURNISHING ANY INFORMATION FOR THE MAKING OF DRAWINGS, PRINTS, APPARATUS OR PARTS THEREOF WITHOUT THE FULL KNOWLEDGE AND WRITTEN CONSENT OF AMS. ALL PATENTABLE MATERIAL CONTAINED HEREIN AND ORIGINATING WITH AMS SHALL BE THE SOLE PROPERTY OF AMS.

PRE-CHECKED SET NAME

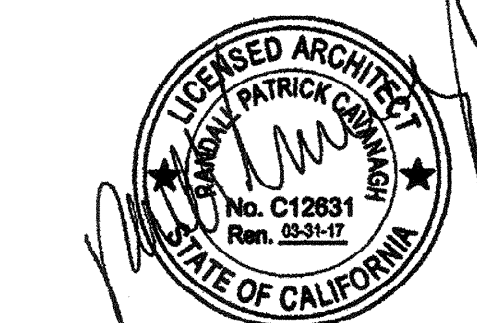
24' x 40' THRU 120' x 40'
2:12 PITCHED ROOF

SITE SPECIFIC PROJECT NAME

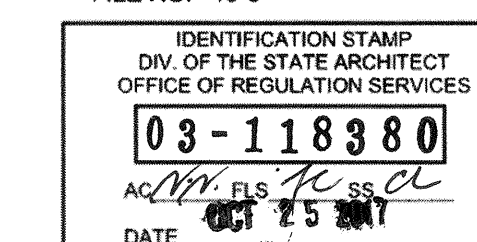
SHEET TITLE

ARCHITECTURAL SYNTHETIC STUCCO DETAILS

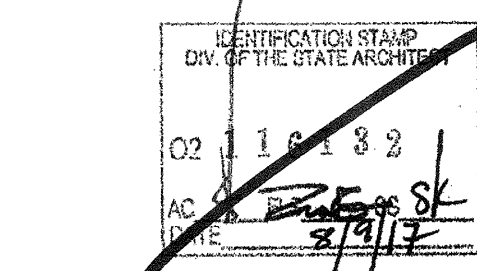
MANUFACTURER PROFESSIONAL OF RECORD ON PC



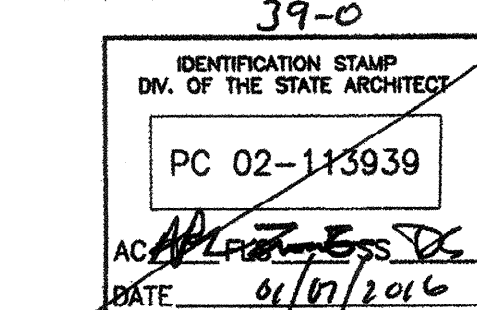
AGENCY TRACKING NO. 63321-241
FILE NO. 15-6



PROJECT SPECIFIC STATE AGENCY APPROVAL



ORIGINAL PC STATE AGENCY APPROVAL
39-0



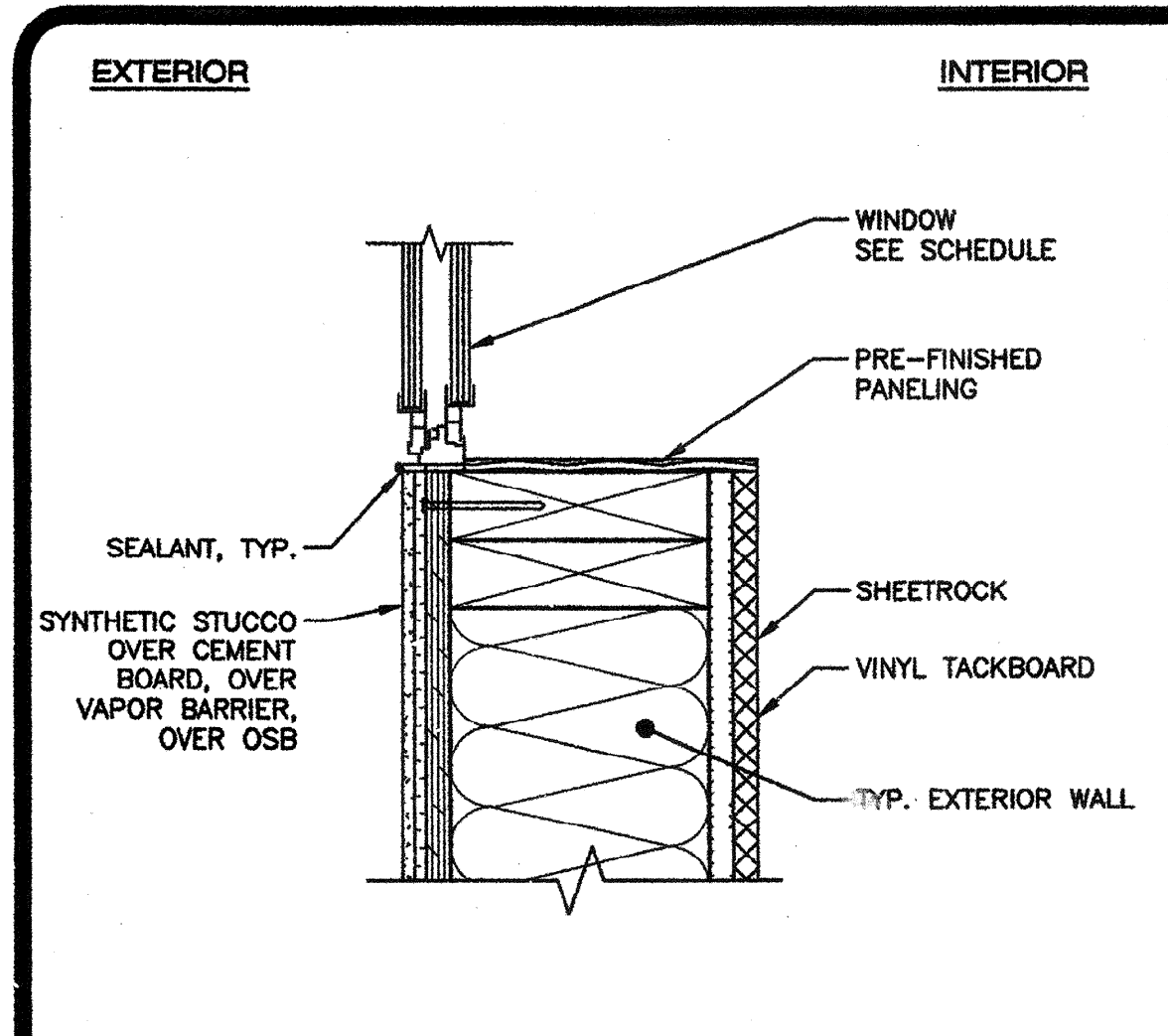
PRE-CHECK (PC) DOCUMENT - CODE: 2013 CBC
A SEPARATE PROJECT APPLICATION FOR CONSTRUCTION IS REQUIRED

REVISIONS

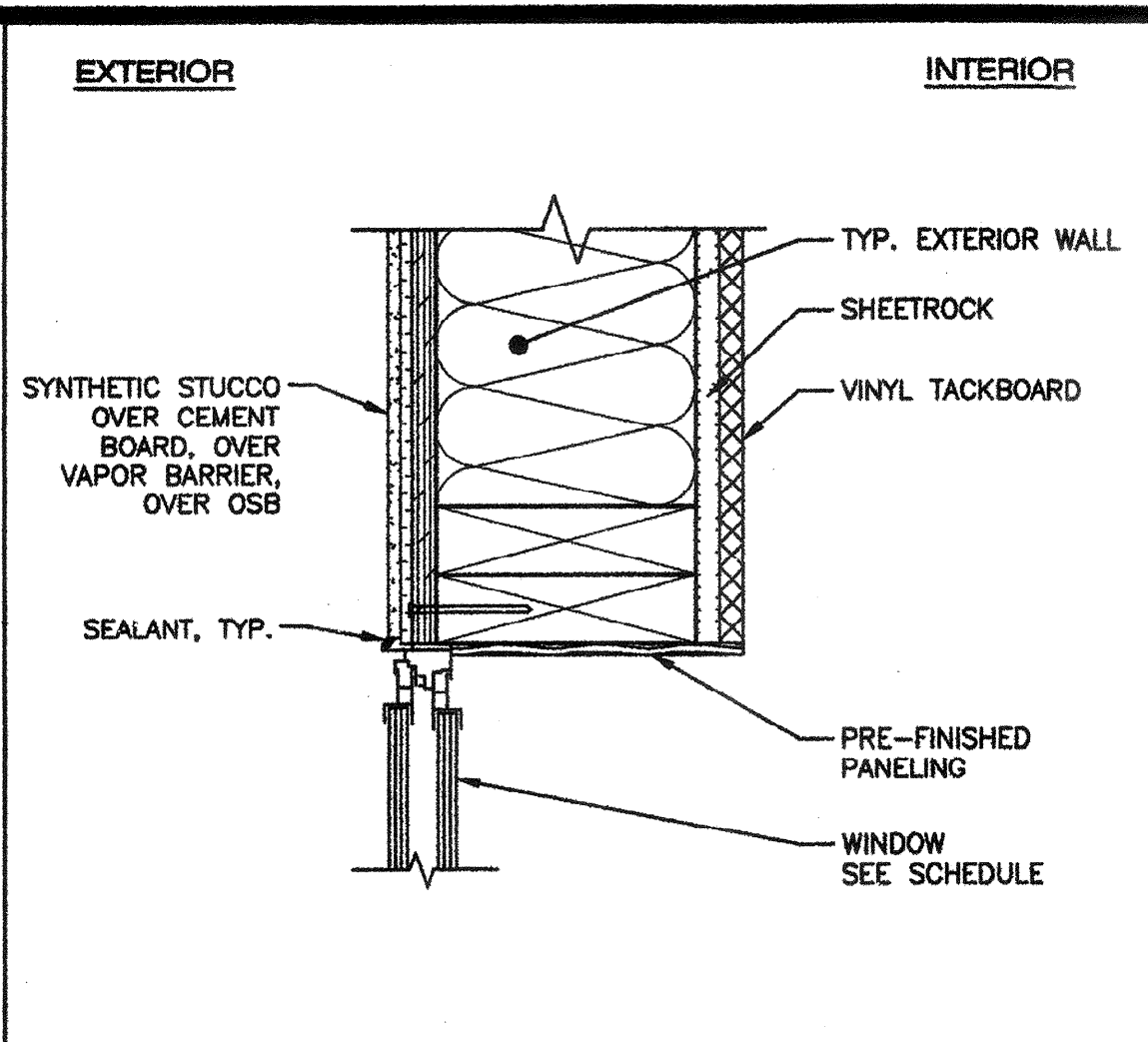
DRAWN BY:
SCALE: AS NOTED
DATE:

SHEET NUMBER

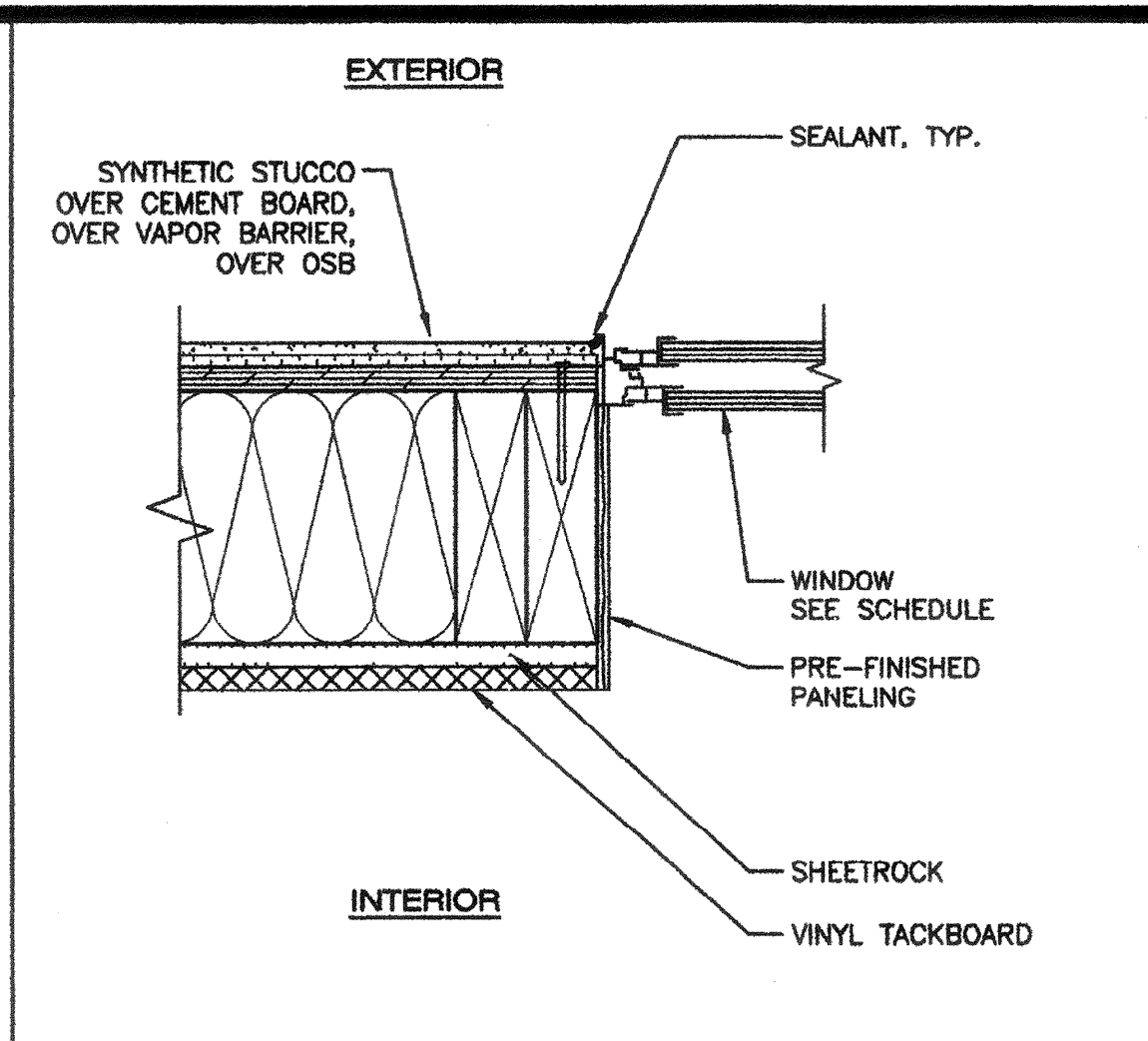
A5.7



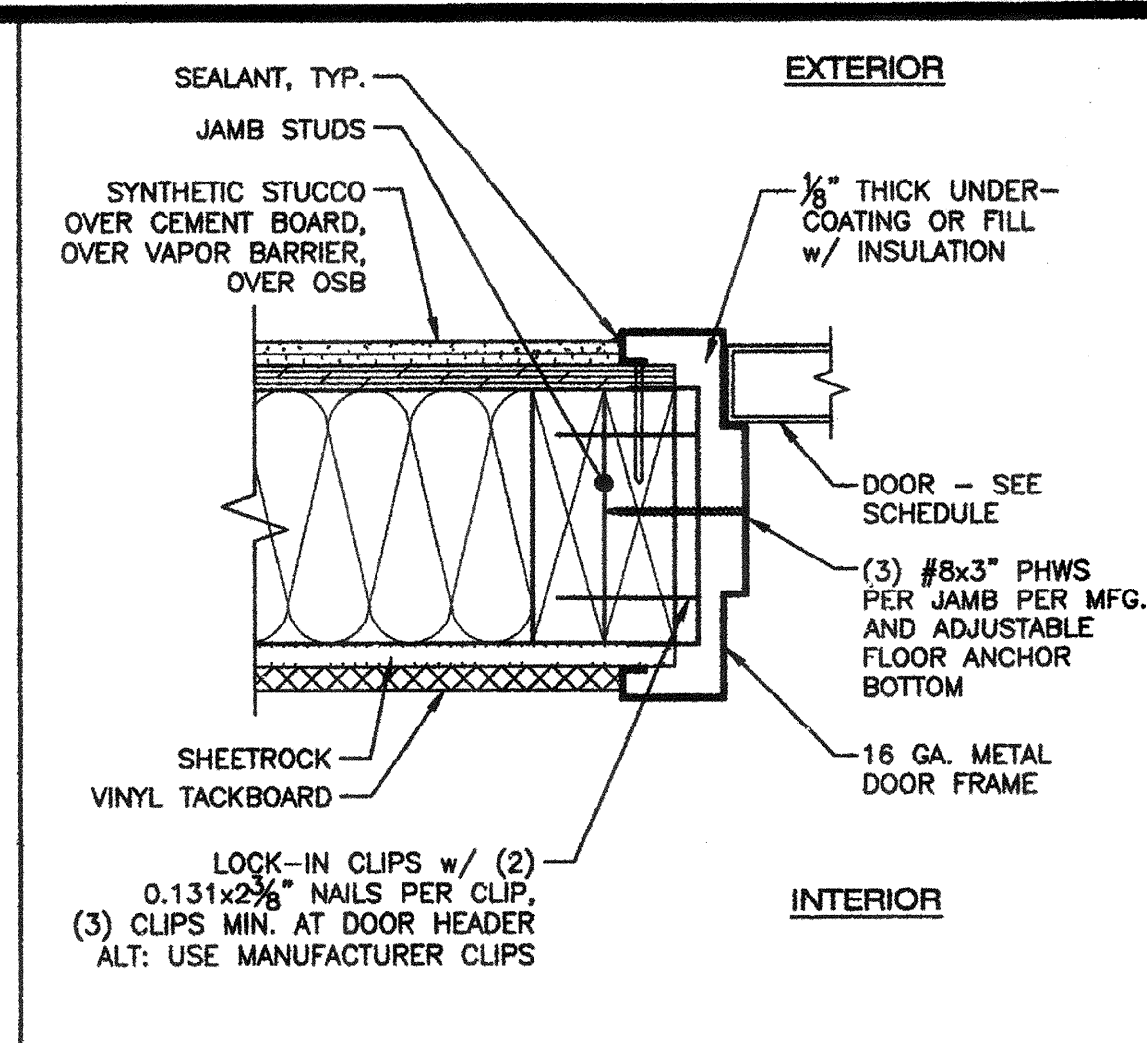
TYP. WINDOW SILL DETAIL SCALE 3/8"=1'-0" 1



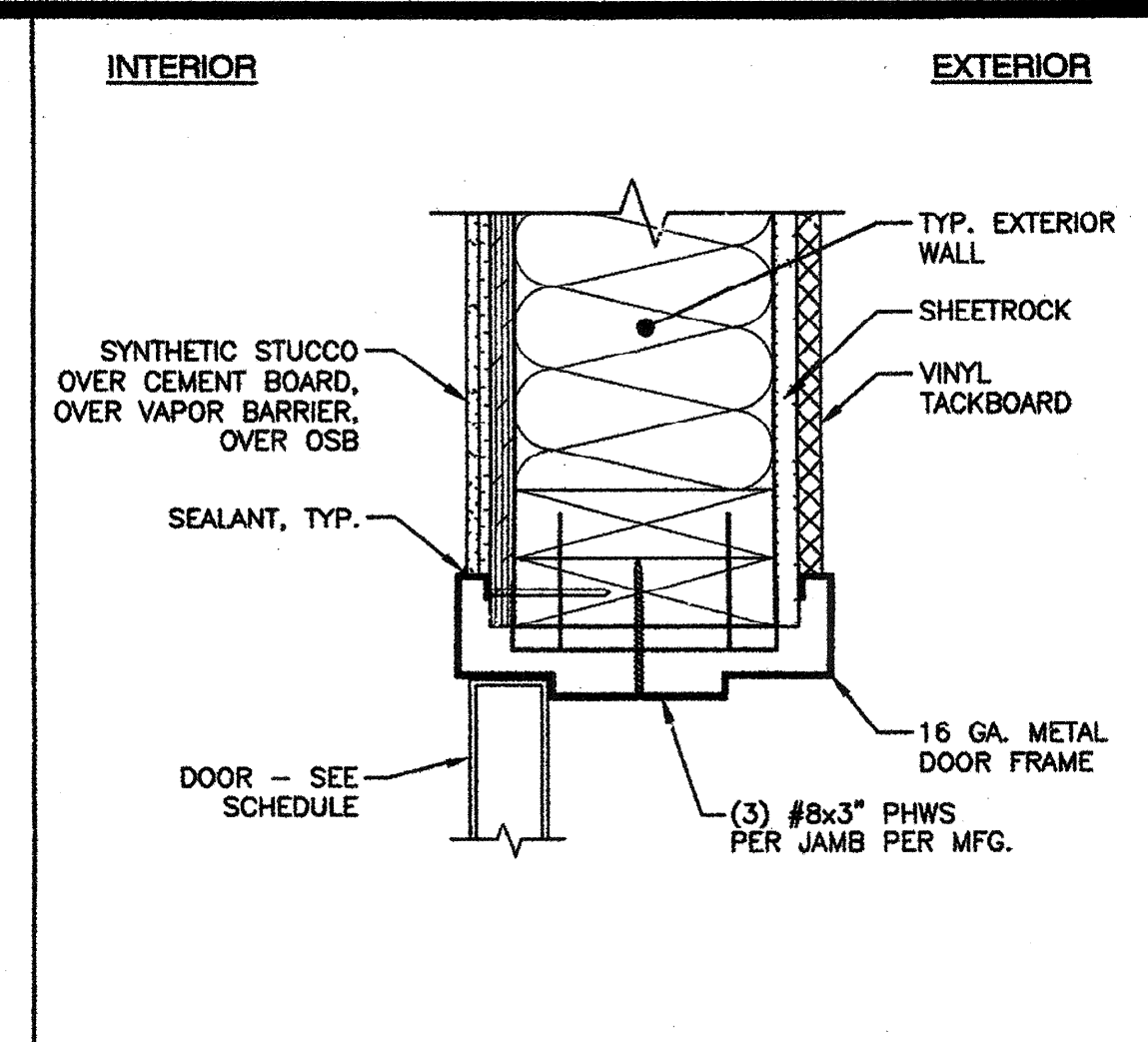
TYP. WINDOW HEADER DETAIL SCALE 3/8"=1'-0" 2



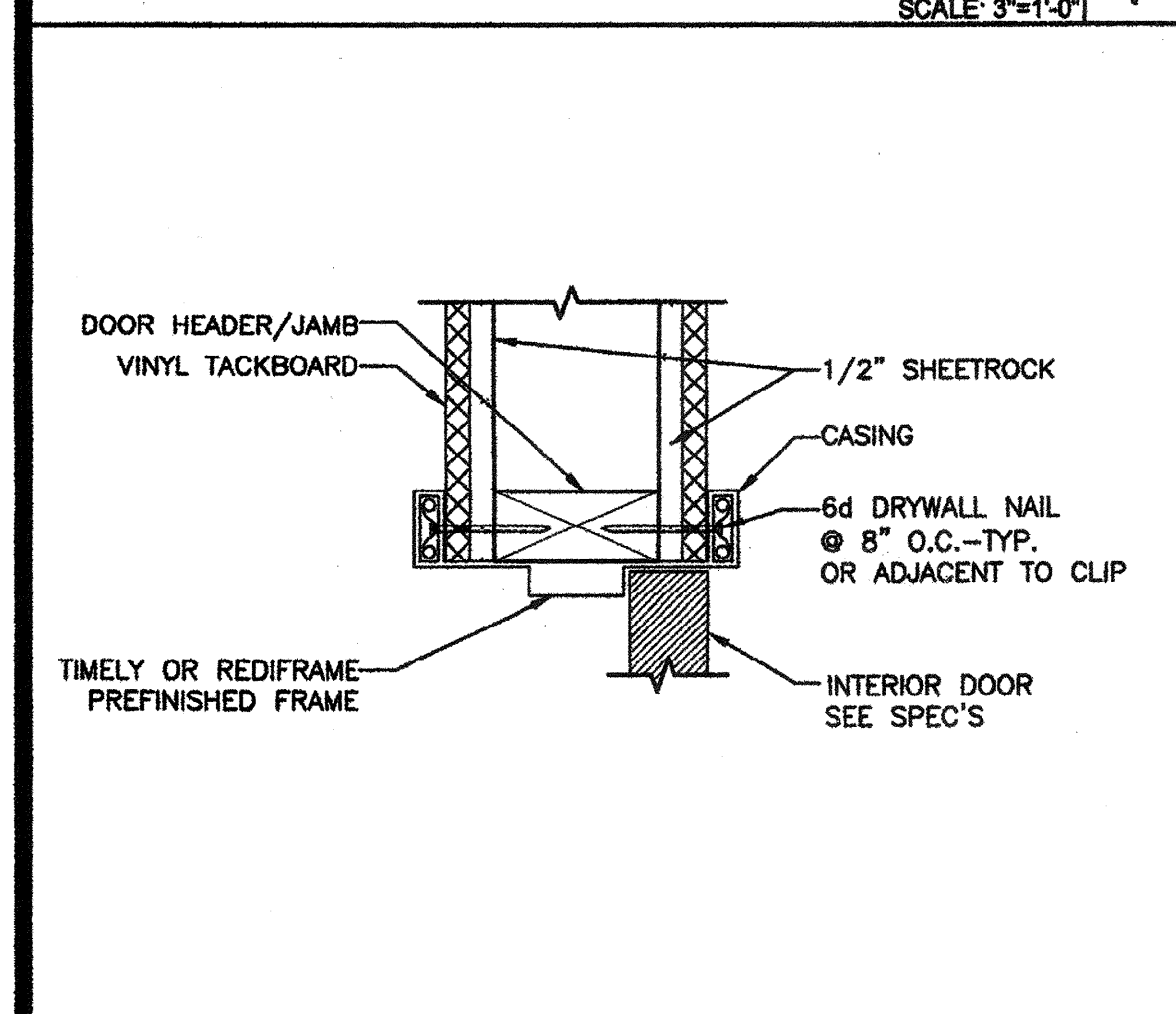
TYP. WINDOW JAMB DETAIL SCALE 3/8"=1'-0" 3



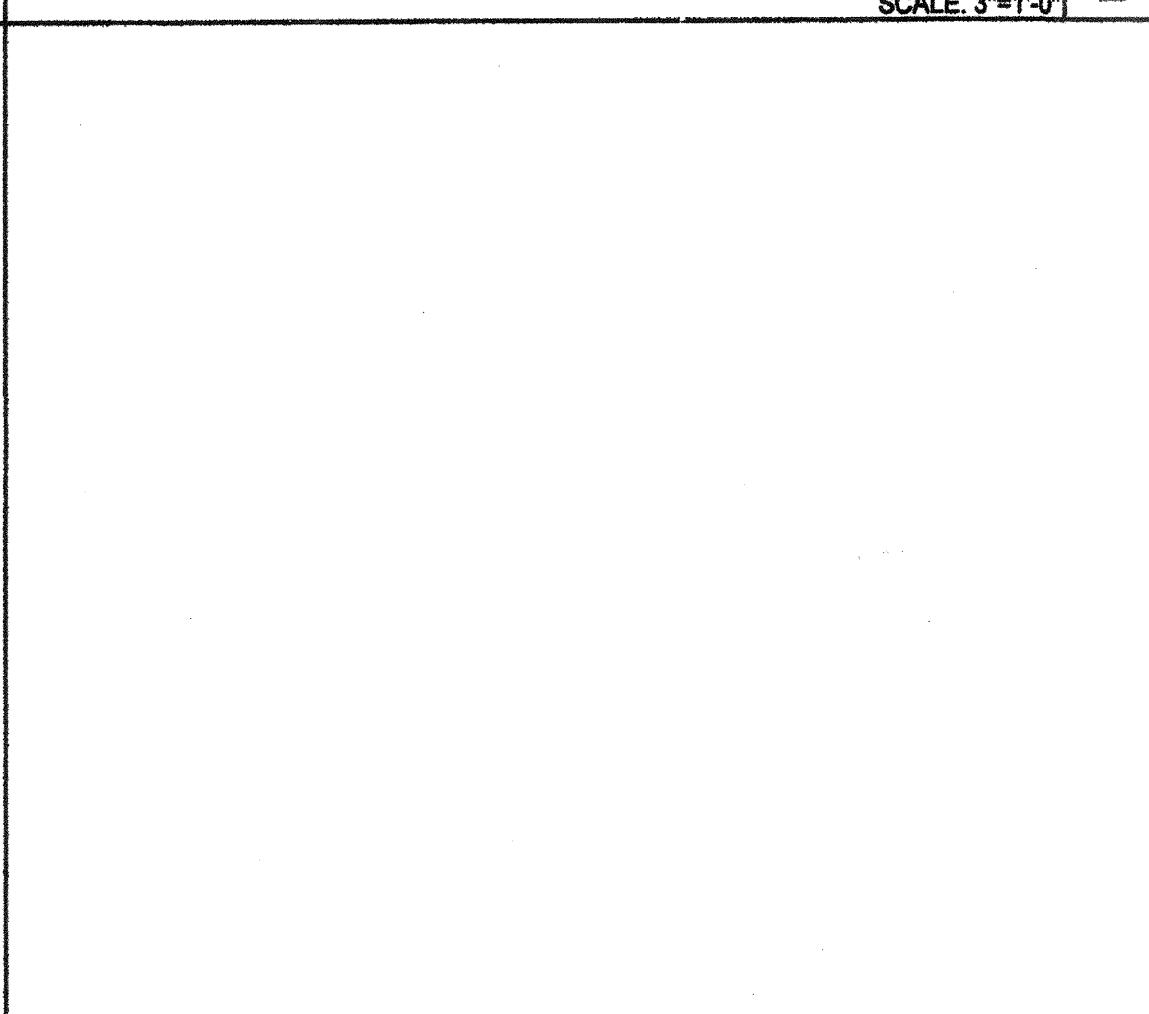
TYP. DOOR JAMB DETAIL SCALE 3/8"=1'-0" 4



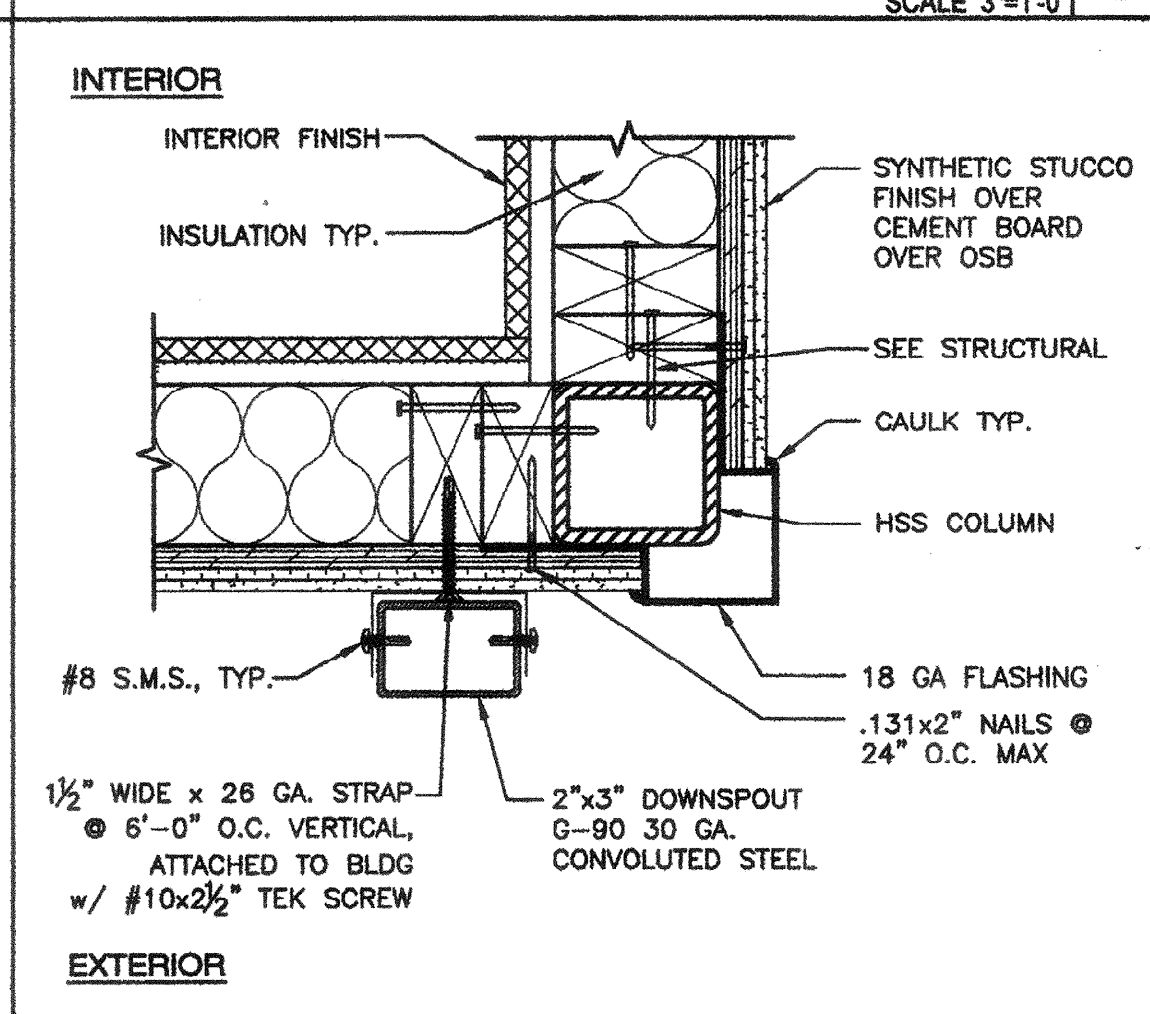
TYP. DOOR HEADER DETAIL SCALE 3/8"=1'-0" 5



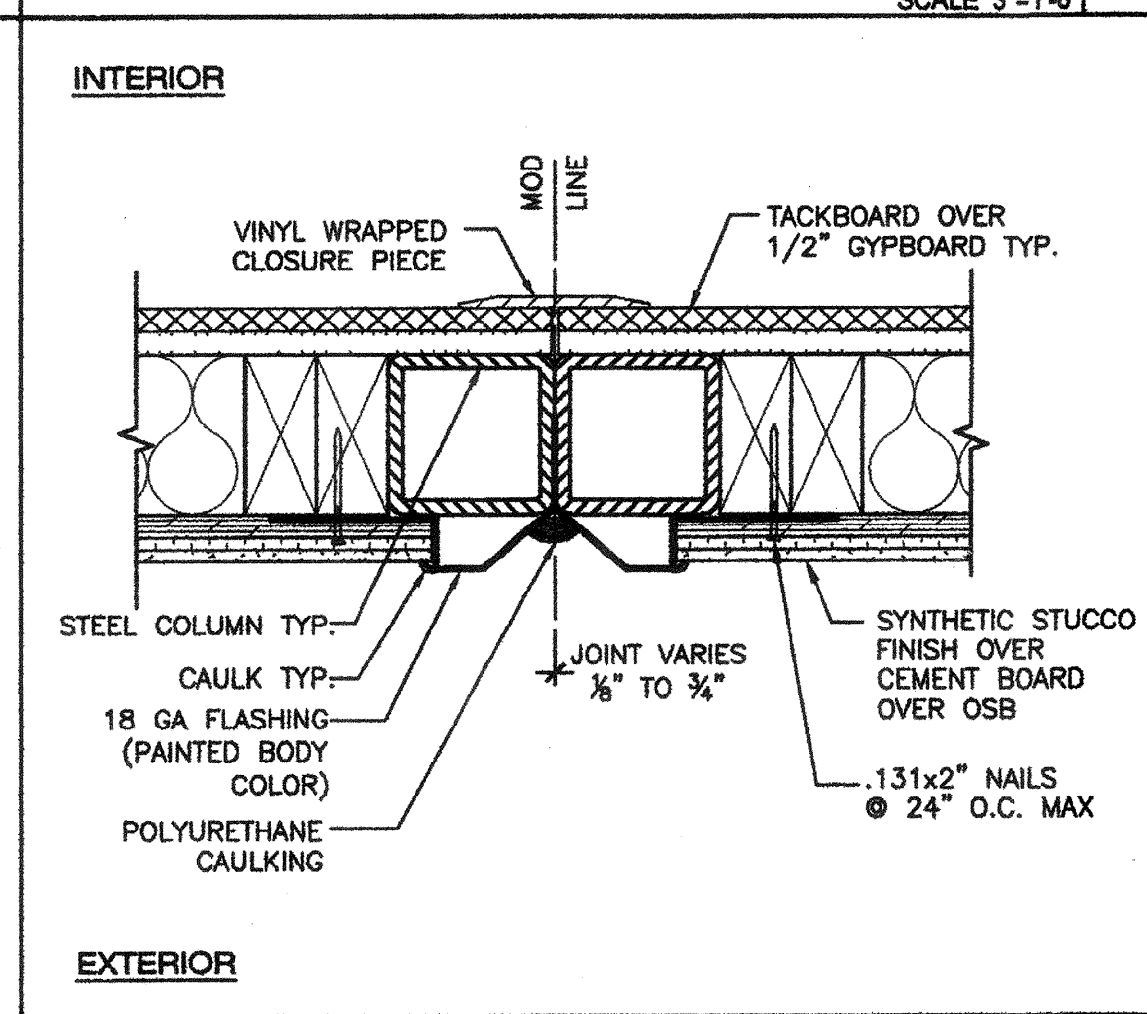
TYP. INTERIOR DOOR HEADER DETAIL SCALE 3/8"=1'-0" 6



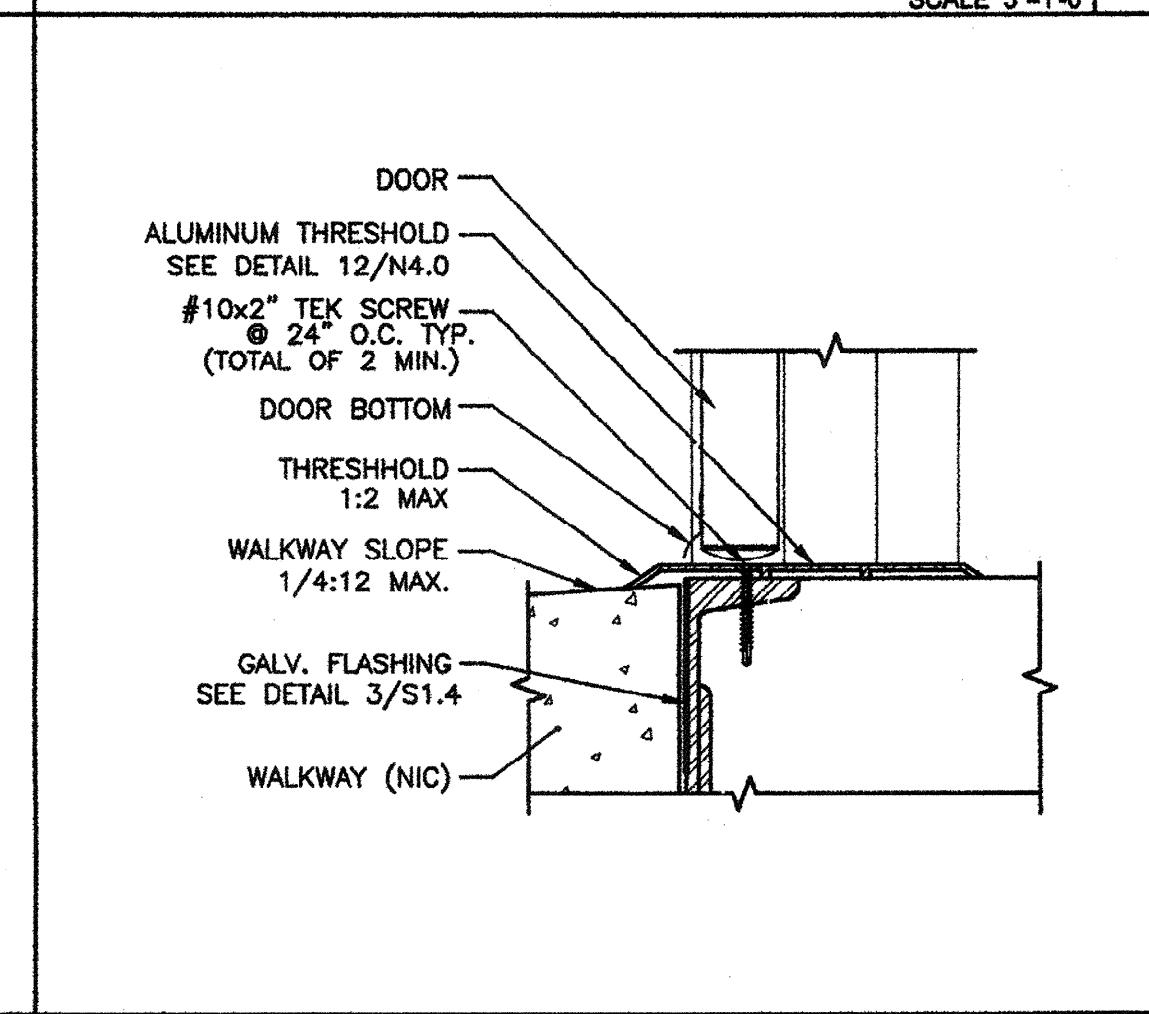
NOT USED 7



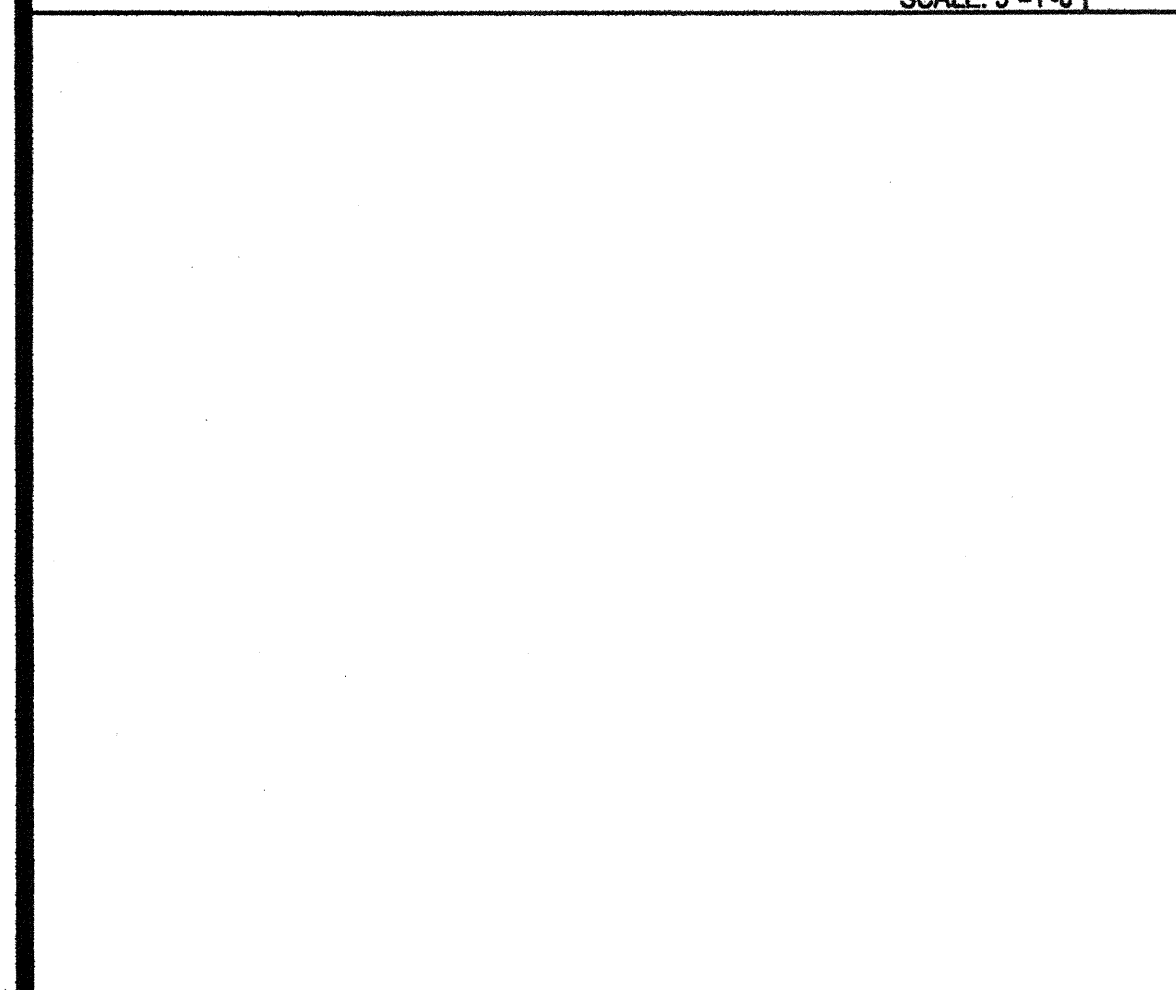
DOWNSPOUT ATTACHMENT DETAIL SCALE 3/8"=1'-0" 8



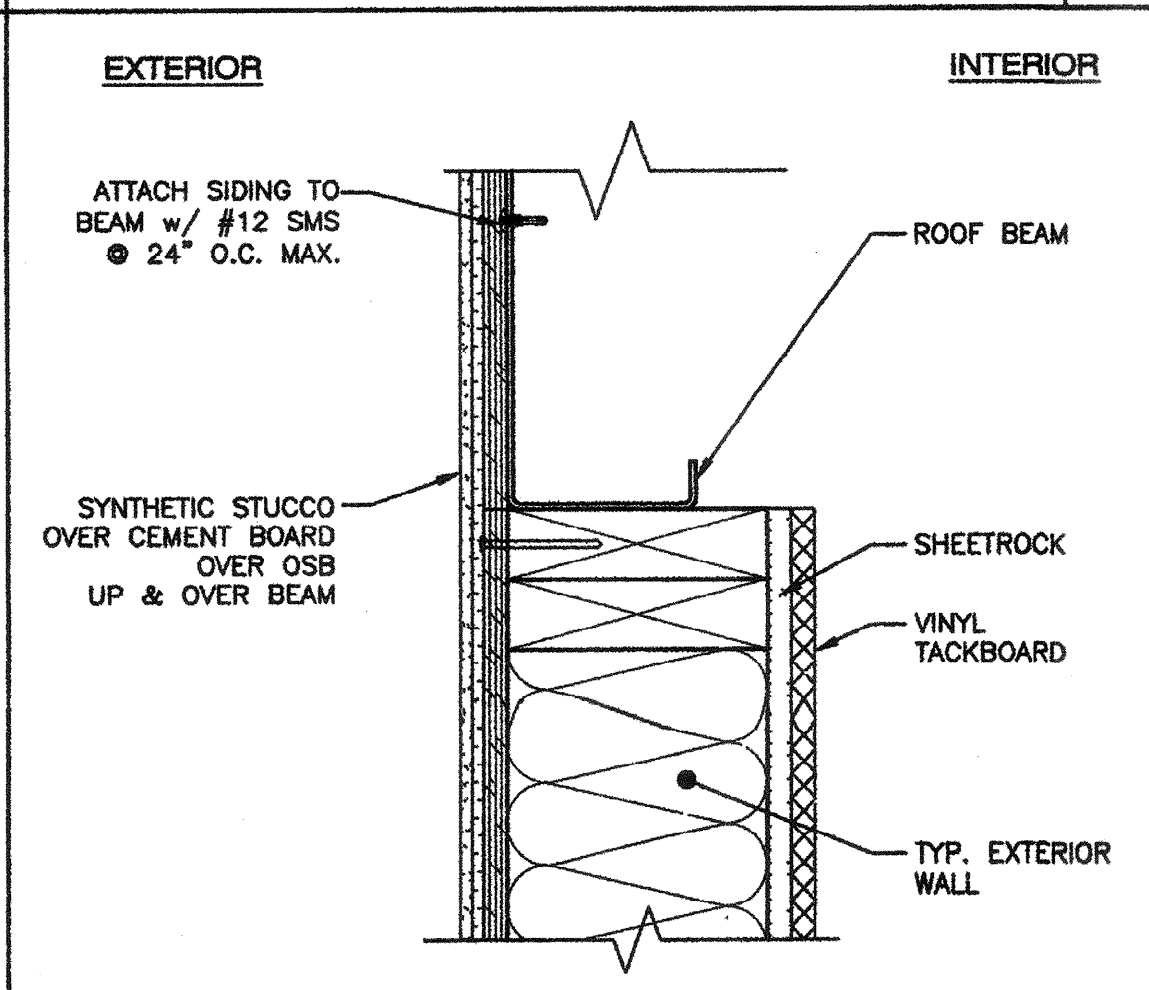
TYP. MODLINE CLOSURE DETAIL SCALE 3/8"=1'-0" 9



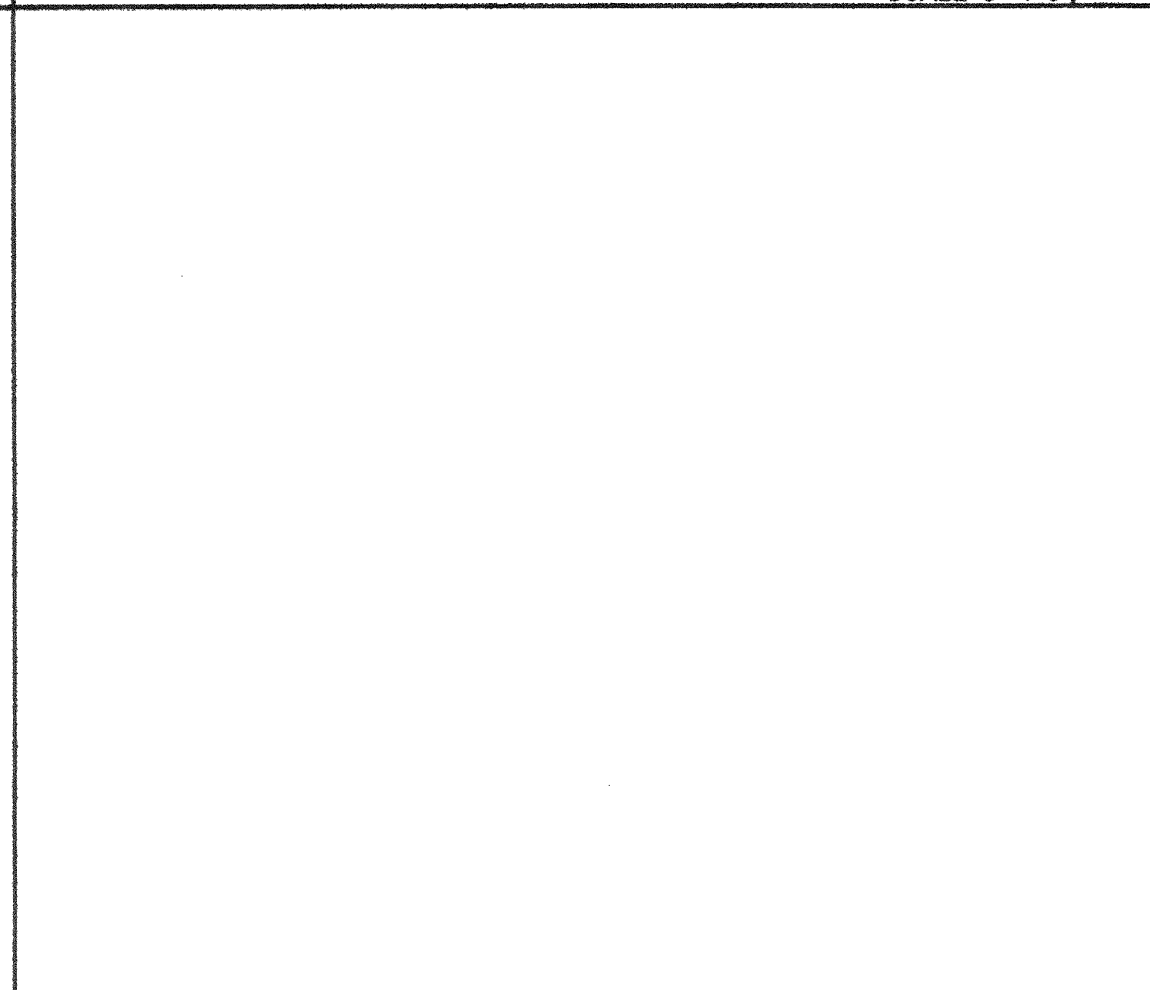
THRESHOLD DETAIL SCALE 3/8"=1'-0" 10



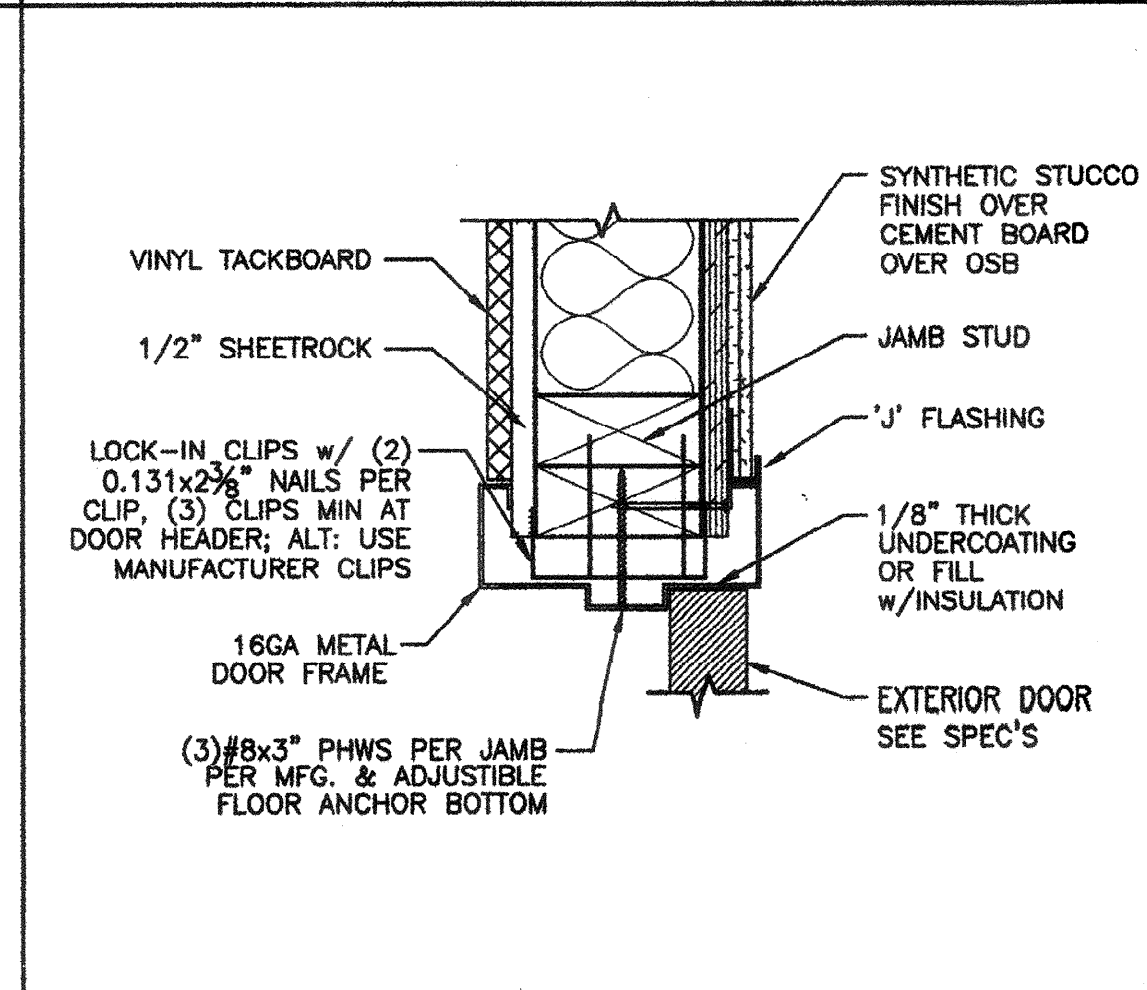
NOT USED 11



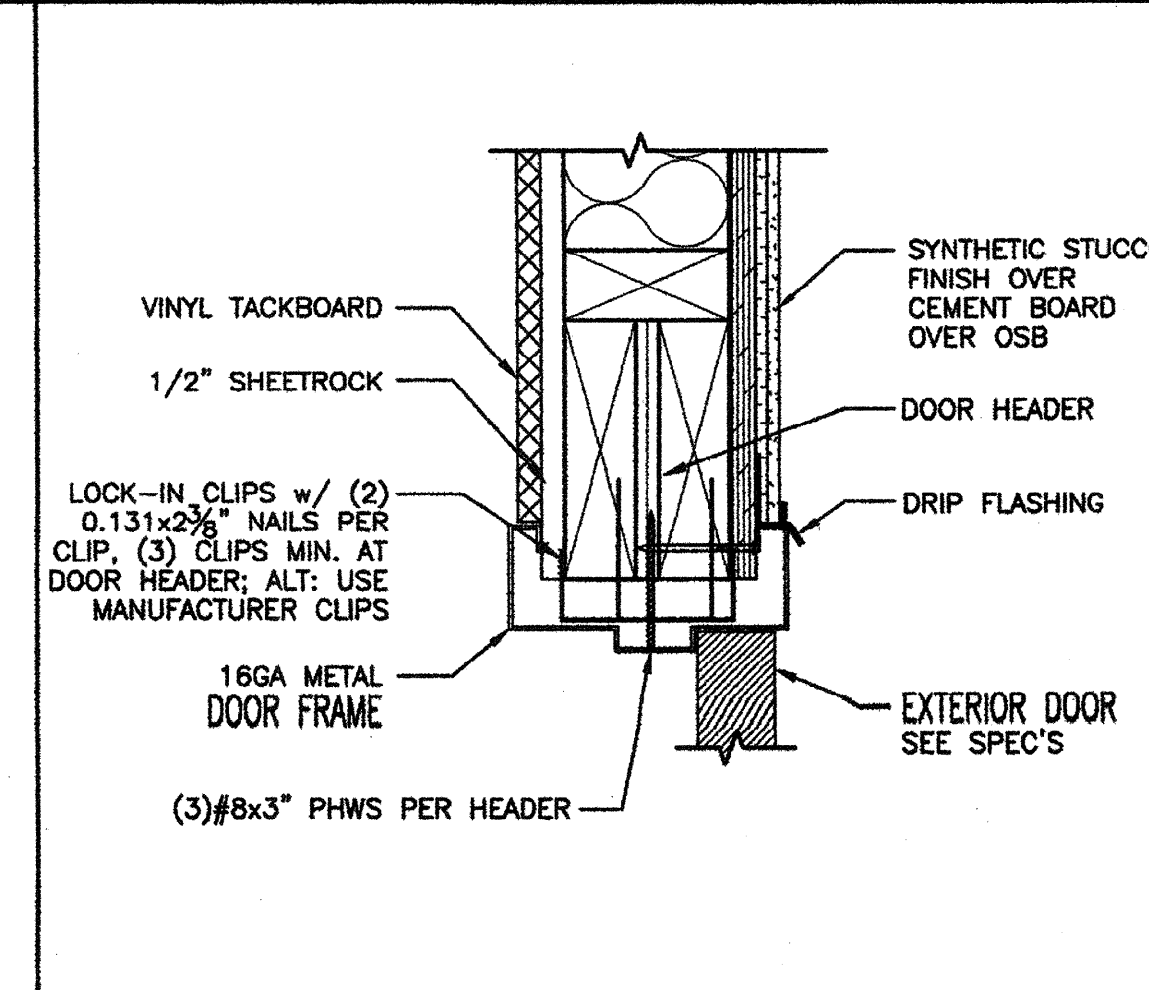
EXTERIOR FINISH @ ROOF BEAM SCALE 3/8"=1'-0" 12



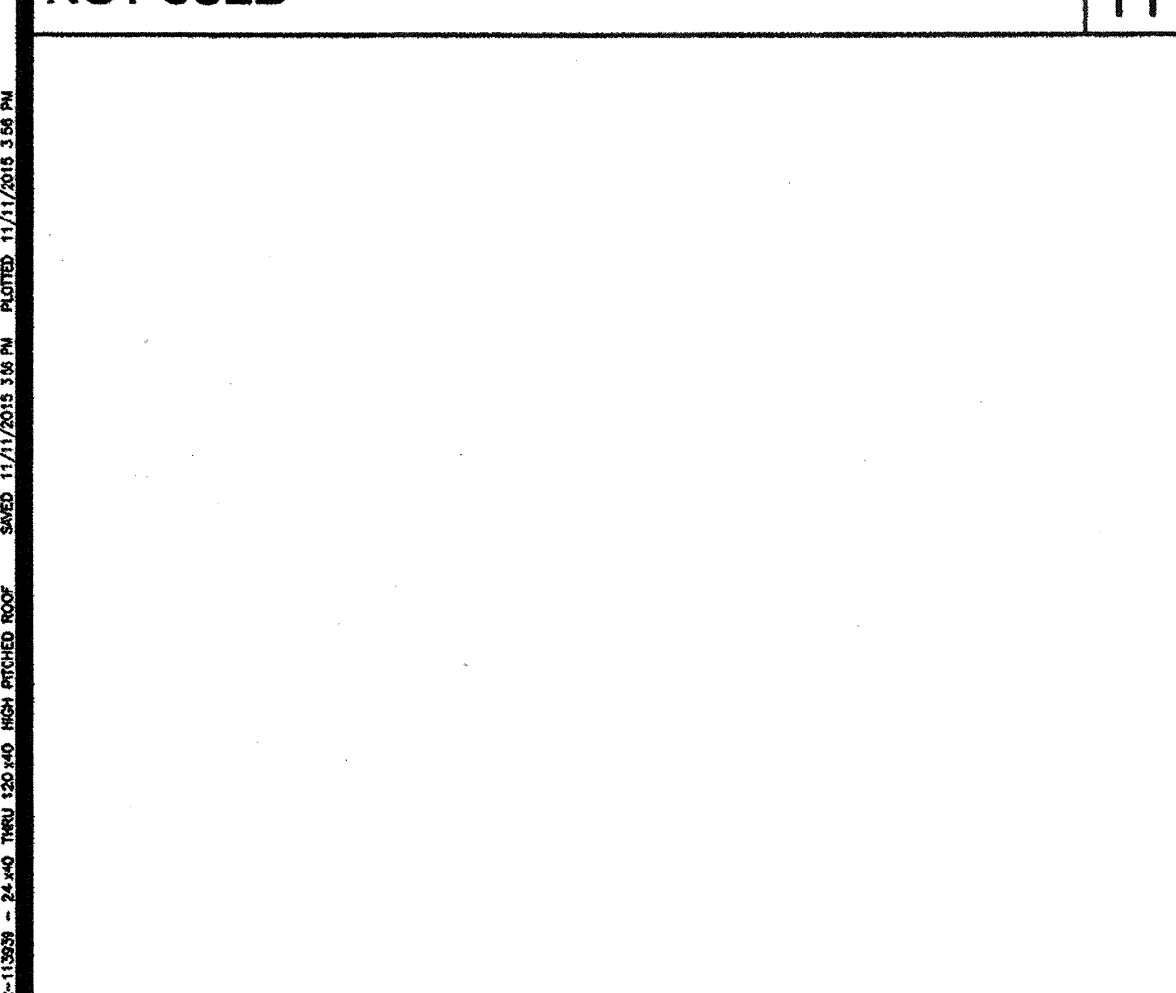
NOT USED 13



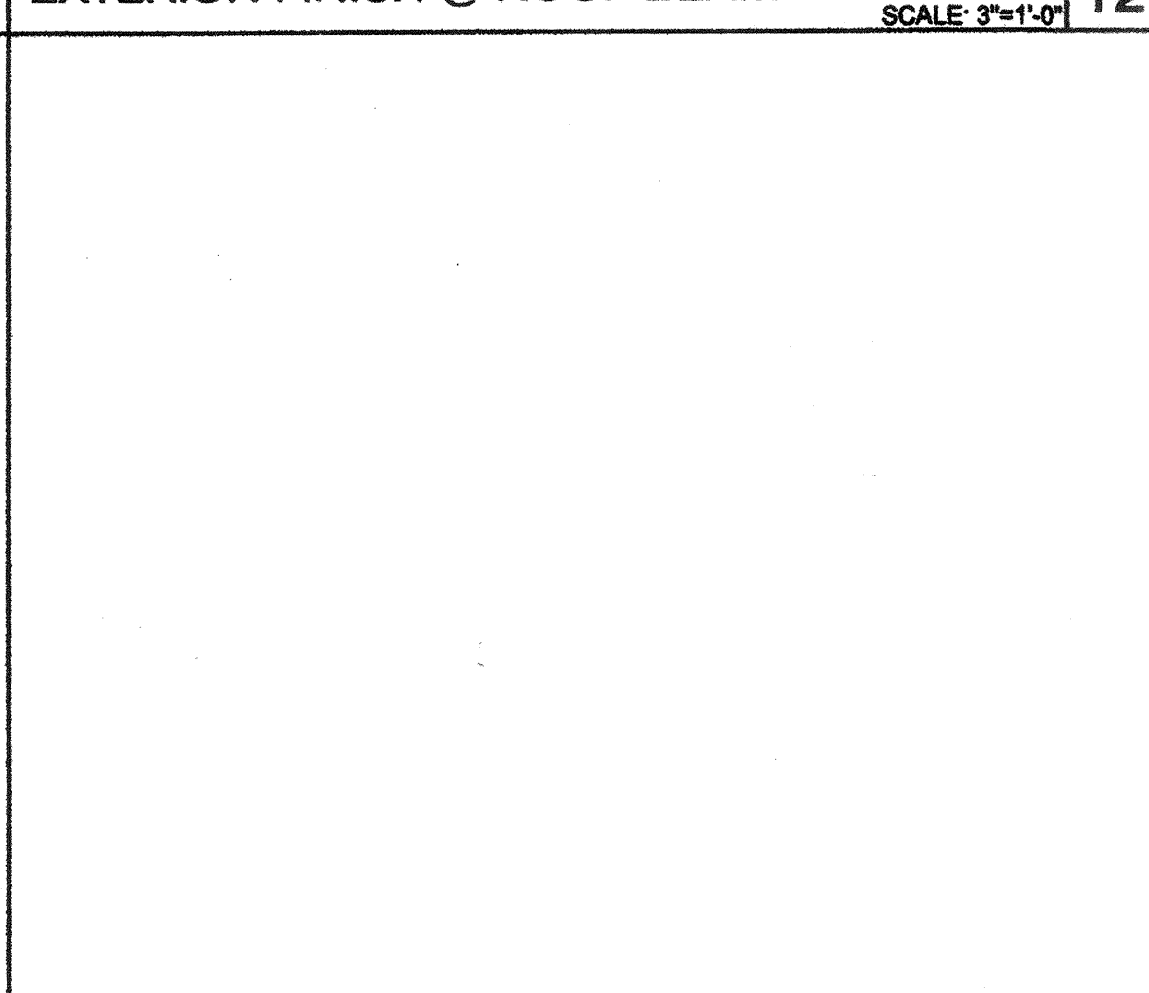
DOOR JAMB OPTION SCALE 3/8"=1'-0" 14



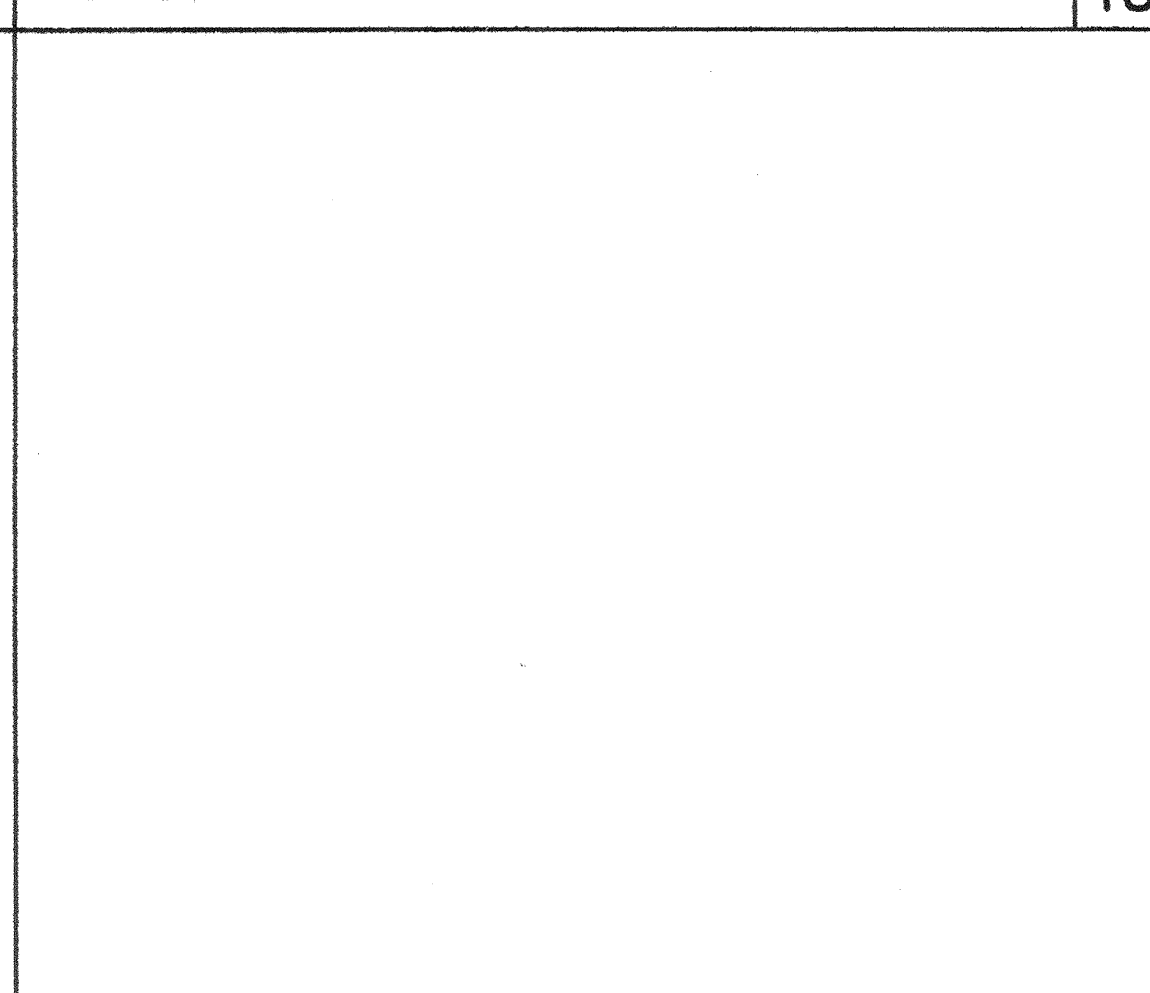
DOOR HEADER OPTION SCALE 3/8"=1'-0" 15



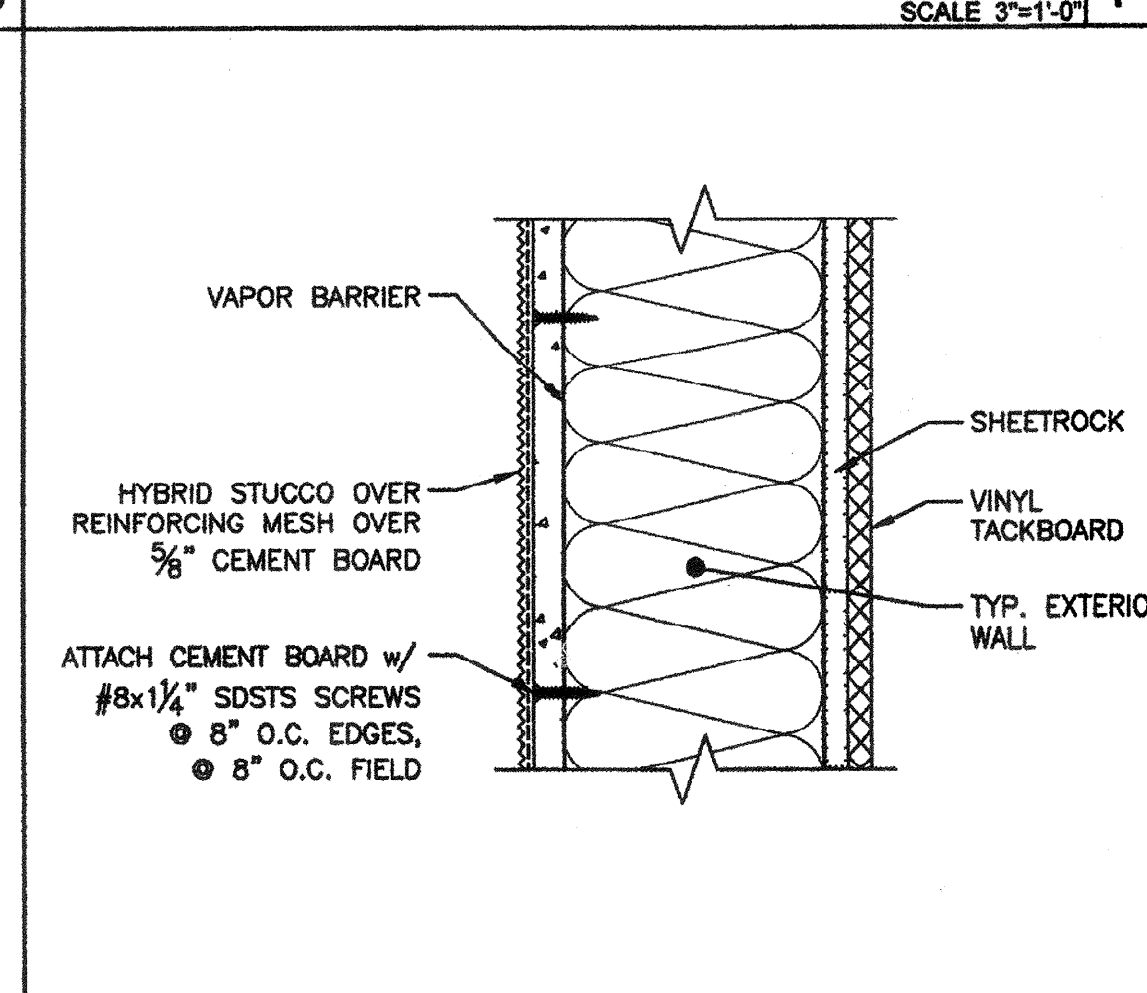
NOT USED 16



NOT USED 17



NOT USED 18



TYP. HYBRID STUCCO FINISH SCALE 3/8"=1'-0" 19

NOTES:
1. FOR OPTIONAL METAL STUD FRAMING SEE S9.0-S9.2
2. ADDITIONAL R-5 RIGID INSULATION REQUIRED @ METAL STUD WALLS SEE SHEET M1.7
3. OPTIONAL HYBRID STUCCO FINISH DOES NOT REQUIRE OSB; SEE DETAIL 19/A5.7.

NOTES

DATE: 11/17/2015 10:54 AM REVISED: 02/11/2016 10:54 AM