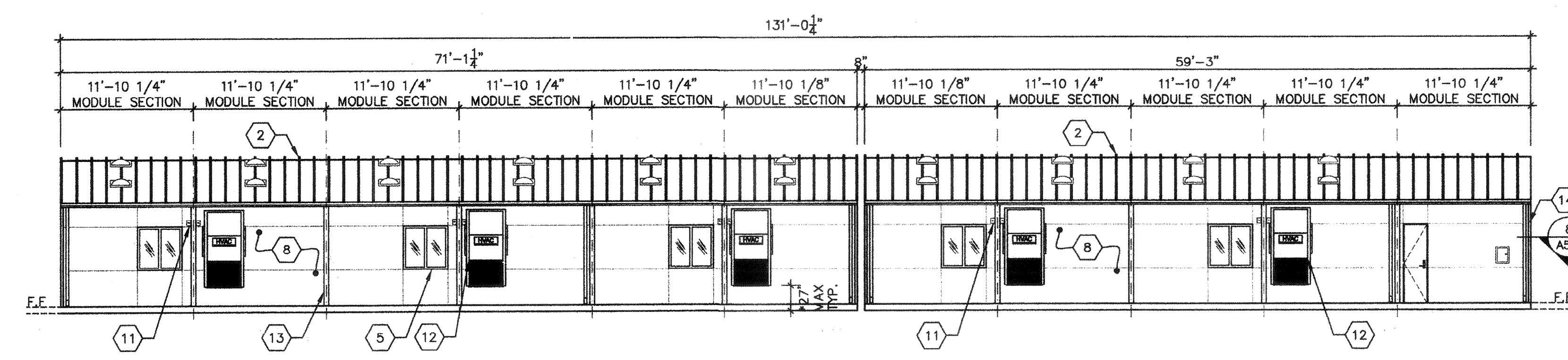


EXTERIOR ELEVATION

SCALE: 1/8" = 1'-0" 1



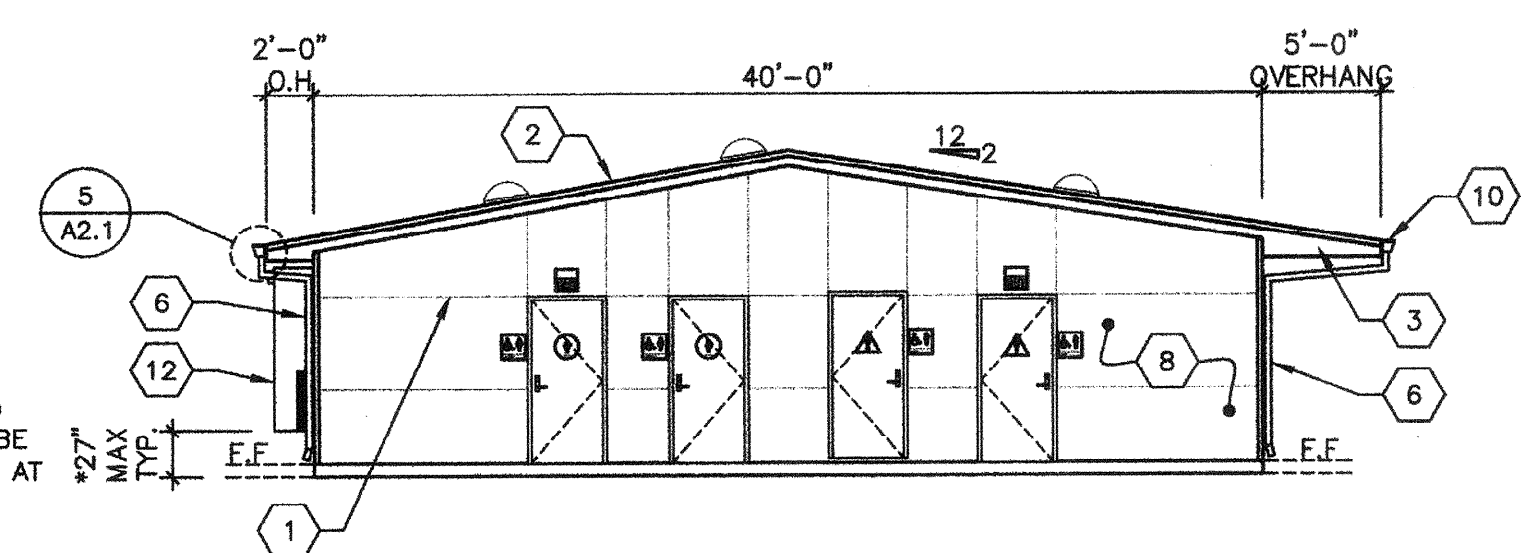
EXTERIOR ELEVATION

SCALE: 1/8" = 1'-0" 2

- 1 CONTROL JOINT
- 2 STANDING SEAM METAL ROOFING (COLOR TO BE STONE GRAY #9406)
- 3 OVERHANG - SEE STRUCTURAL
- 4 TYP. EXTERIOR DOOR - SEE SCHEDULE
- 5 WINDOW - SEE SCHEDULE
- 6 DOWNSPOUT SEE DETAIL 5/A2.1 FOR ATTACHMENT
- 7 ROOM ID AND ISA SIGNAGE (BY OTHER) SEE DETAILS 5 & 9/H4.0 - TYP.
- 8 SYNTHETIC STUCCO
- 9 EXTERIOR LIGHT - SEE ELECTRICAL
- 10 GUTTER - SEE SHEET 5/A2.1
- 11 MODULAR IDENTIFICATION TAG +90° ABOVE A.F.F.
- 12 WALL MOUNTED HVAC UNIT
- 13 18 GA. FLASHING TRIM @ MODLINES TYP.
- 14 18 GA. FLASHING TRIM @ CORNERS TYP.

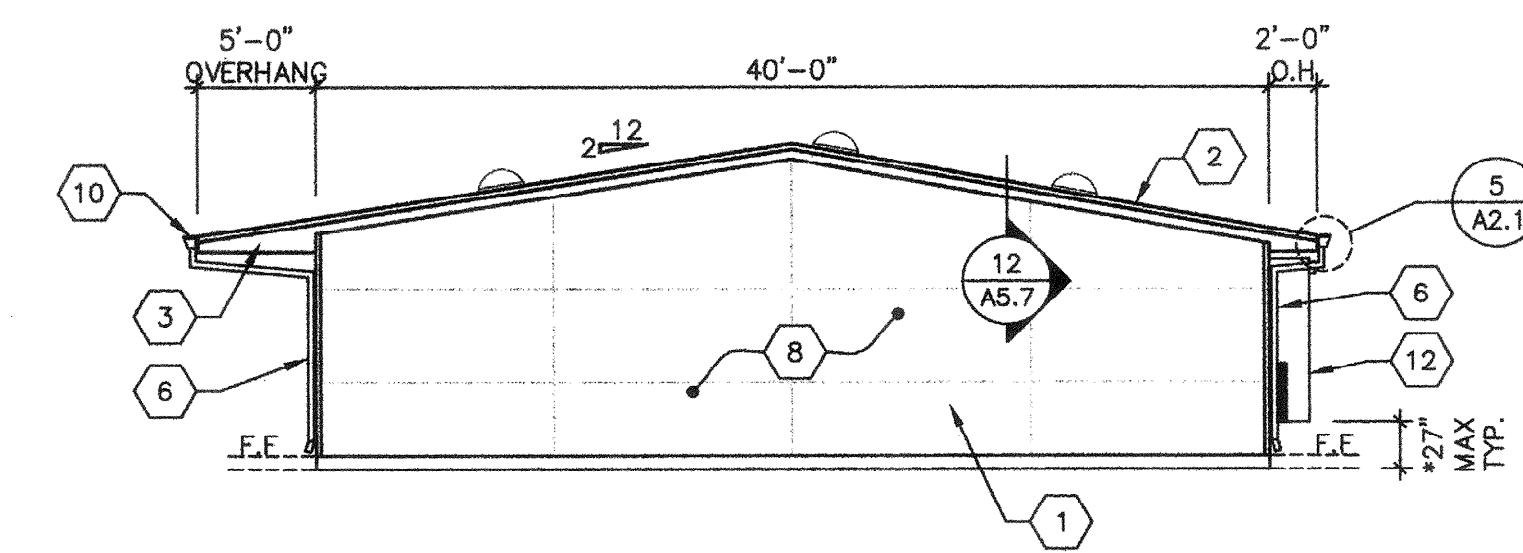
KEYNOTES

- 1. PROVIDE CLOSURE END CAPS ON FRONT AND REAR OF ROOF DECK.



EXTERIOR ELEVATION

SCALE: 1/8" = 1'-0" 3



EXTERIOR ELEVATION

SCALE: 1/8" = 1'-0" 4

NOTES

NOT USED

NOT USED

6

NOT USED

NOT USED

8



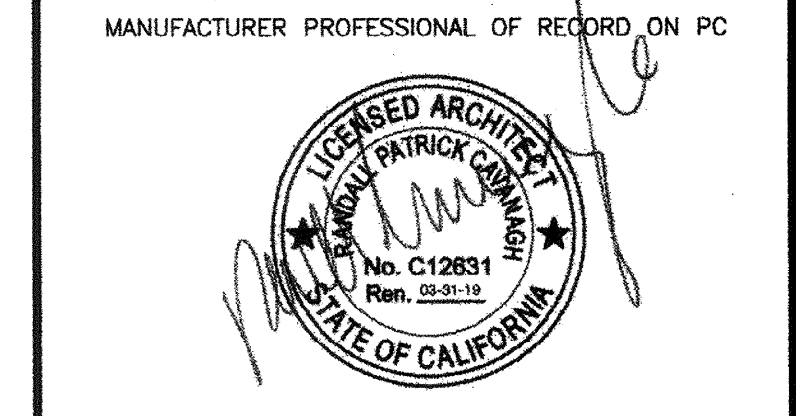
MODULAR MANUFACTURER PROPRIETARY STATEMENT
 THESE DRAWINGS AND THE MATERIAL CONTAINED THEREIN ARE THE PROPERTY OF AMERICAN MODULAR SYSTEMS, INC. (AMS) AND SHALL NOT BE REPRODUCED, COPIED OR OTHERWISE DISPOSED OF DIRECTLY OR INDIRECTLY AND SHALL NOT BE USED IN WHOLE OR IN PART TO ASSIST IN THE MAKING OF OR FOR THE PURPOSE OF FURNISHING ANY INFORMATION FOR THE MAKING OF DRAWINGS, PRINTS, APPARATUS OR PARTS THEREOF WITHOUT THE FULL KNOWLEDGE AND WRITTEN CONSENT OF AMS. ALL PATENTABLE MATERIAL CONTAINED HEREIN AND ORIGINATING WITH AMS SHALL BE THE SOLE PROPERTY OF AMS.

PRE-CHECKED SET NAME
 24' x 40' THRU 120' x 40'
 2:12 PITCHED ROOF

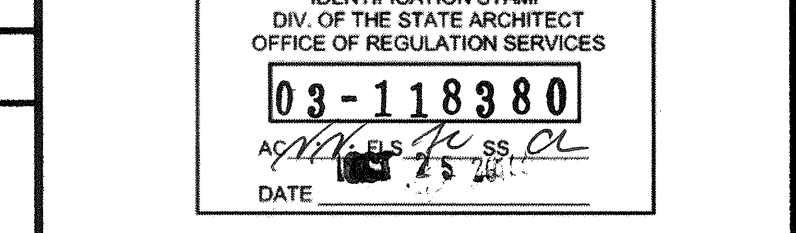
SITE SPECIFIC PROJECT NAME
 STOCKPILE
 (1) 60x40 BUILDING
 (1) 72x40 BUILDING

SHEET TITLE
 EXTERIOR
 ELEVATION SYNTHETIC
 STUCCO OPTION

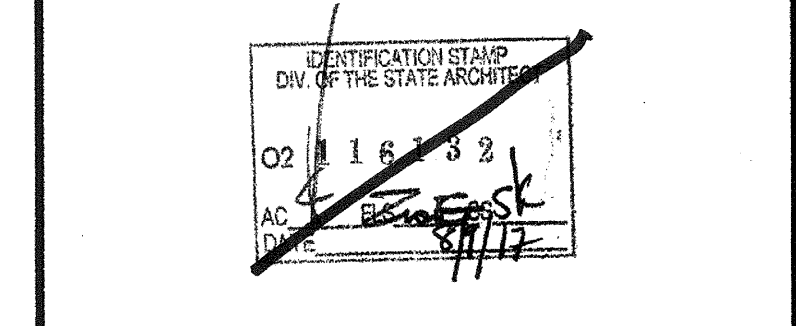
MANUFACTURER PROFESSIONAL OF RECORD ON PC



AGENCY TRACKING NO. 63321-241
 FILE NO. 15-6



PROJECT SPECIFIC STATE AGENCY APPROVAL



ORIGINAL PC STATE AGENCY APPROVAL

BASED ON PC# 02-113939
 PRE-CHECK (PC) DOCUMENT CODE: 2013 CBC
 A SEPARATE PROJECT APPLICATION FOR CONSTRUCTION IS REQUIRED

REVISIONS

DRAWN BY: BA
 SCALE: AS NOTED
 DATE: 04/27/17
 SHEET NUMBER

A5.6