

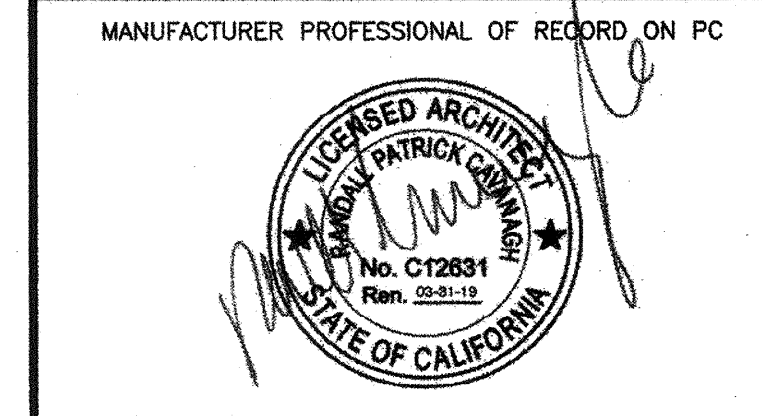


MODULAR MANUFACTURER PROPRIETARY STATEMENT
 THESE DRAWINGS AND THE MATERIAL CONTAINED THEREIN ARE THE PROPERTY OF AMERICAN MODULAR SYSTEMS, INC. (AMS) AND SHALL NOT BE REPRODUCED, COPIED OR OTHERWISE DISPOSED OF DIRECTLY OR INDIRECTLY AND SHALL NOT BE USED IN WHOLE OR IN PART TO ASSIST IN THE MAKING OF OR FOR THE PURPOSE OF FURNISHING ANY INFORMATION FOR THE MAKING OF DRAWINGS, PRINTS, APPARATUS OR PARTS THEREOF WITHOUT THE FULL KNOWLEDGE AND WRITTEN CONSENT OF AMS. ALL PATENTABLE MATERIAL CONTAINED HEREIN AND ORIGINATING WITH AMS SHALL BE THE SOLE PROPERTY OF AMS.

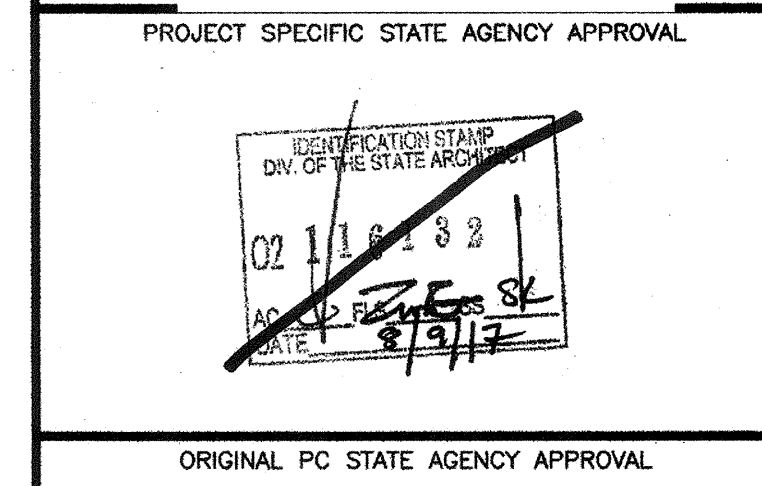
PRE-CHECKED SET NAME
24' x 40' THRU 120' x 40'
2:12 PITCHED ROOF

SITE SPECIFIC PROJECT NAME
STOCKPILE
(1) 60x40 BUILDING
(1) 72x40 BUILDING

SHEET TITLE
SCHEDULES



MANUFACTURER PROFESSIONAL OF RECORD ON PC
 AGENCY TRACKING NO. 63321-241
 FILE NO. 15-6
 IDENTIFICATION STAMP
 DIV. OF THE STATE ARCHITECT
 OFFICE OF REGULATION SERVICES
03-118380
 DATE: **04-25-2017**



ORIGINAL PC STATE AGENCY APPROVAL
BASED ON PC# 02-113939
 PRE-CHECK (PC) DOCUMENT - CODE: 2013 CBC
 A SEPARATE PROJECT APPLICATION FOR CONSTRUCTION IS REQUIRED

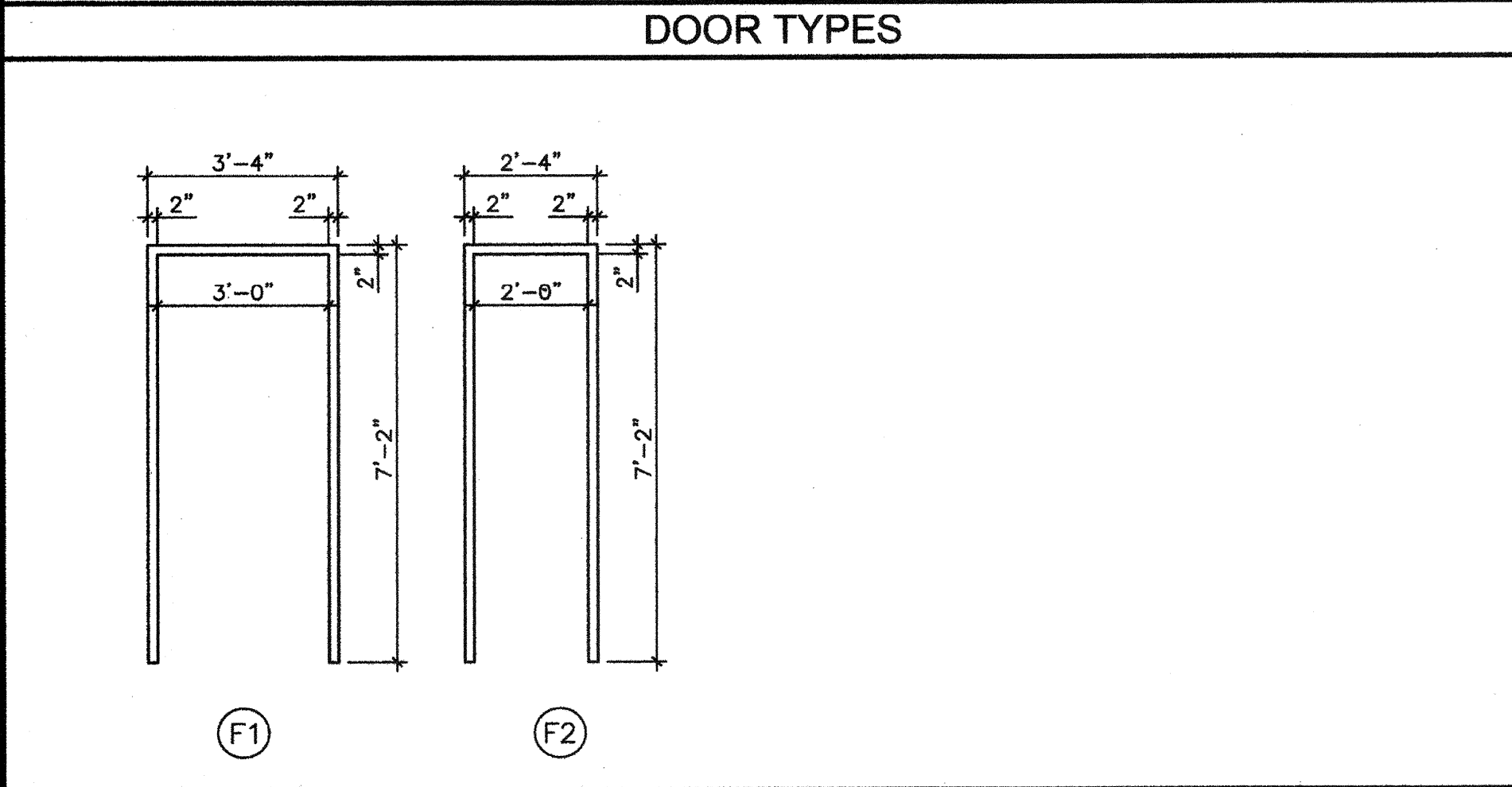
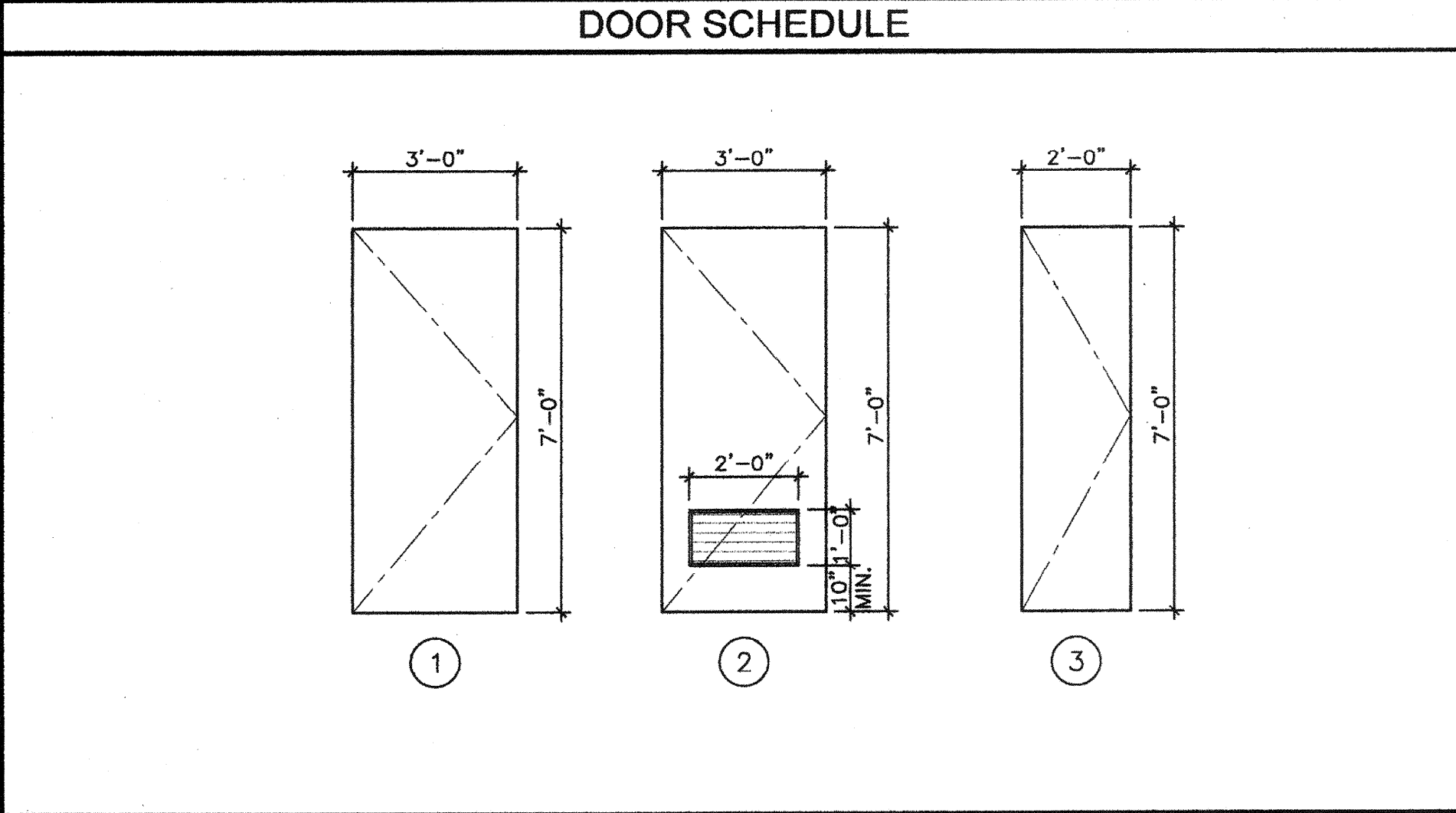
REVISIONS
 DRAWN BY: BA
 SCALE: AS NOTED
 DATE: 04/27/17
 SHEET NUMBER

N3.0

DOORS				FRAMES				REMARKS
DOOR NO.	DOOR SIZE	QUANTITY	HARDWARE SET NO.	FRAME TYPE	MATERIAL	FINISH		
1	3'-0" x 7'-0"	5	REFER TO SHEET A1.0	(F1)	S	PT	HARDWARE LOCKABLE FROM THE INSIDE, SEE DOOR NOTE #3	
2	3'-0" x 7'-0"	4	REFER TO SHEET A1.0	(F1)	S	PT		
3	2'-0" x 7'-0"	1	REFER TO SHEET A1.0	(F2)	S	PT		

DOOR ABBREVIATIONS
 HM - HOLLOW METAL
 AL - ALUMINUM
 S - STEEL
 SST - STAINLESS STEEL
 STL - STEEL FRAME, 16ga. FULLY WELDED
 WWF - WINDOW WALL FRAME

DOOR NOTES
 1. DOORS SHALL COMPLY WITH C.B.C. SECTION 1008.
 2. CLASSROOMS ≥ 1000 S.F. WILL REQUIRE PANIC HARDWARE THAT COMPLIES WITH C.B.C. SECTION 1008.1.10.
 3. PER C.B.C. 1008.1.11: PROVIDE LOCKS THAT ALLOW DOORS TO CLASSROOMS AND ANY ROOM WITH AN OCCUPANCY OF FIVE OR MORE PERSONS TO BE LOCKED FROM THE INSIDE. LOCKS SHALL COMPLY WITH C.B.C. SECTION 1008.1.9.



DOOR FRAME TYPES

A	EXTERIOR DOOR LOCKSET w/LEVER RHODES SCHLAGE ND95PD
B	EXTERIOR DOOR PANIC BAR w/PULL ON EXTERIOR VON DUPRIN 22NL (REQUIRED WHEN OCCUPANT LOAD IS 50 OR MORE)
C	INTERIOR PASSAGE COPPER CREEK 6220-PASSAGE w/ADA LEVER
D	INTERIOR RESTROOM COPPER CREEK 6231-RESTROOM w/ADA LEVER
E	INTERIOR ENTRY/OFFICE COPPER CREEK 6241-ENTRY/OFFICE w/ADA LEVER
F	INTERIOR STOREROOM COPPER CREEK 6250-STOREROOM w/ADA LEVER
G	INTERIOR CLASSROOM COPPER CREEK 6260-CLASSROOM w/ADA LEVER

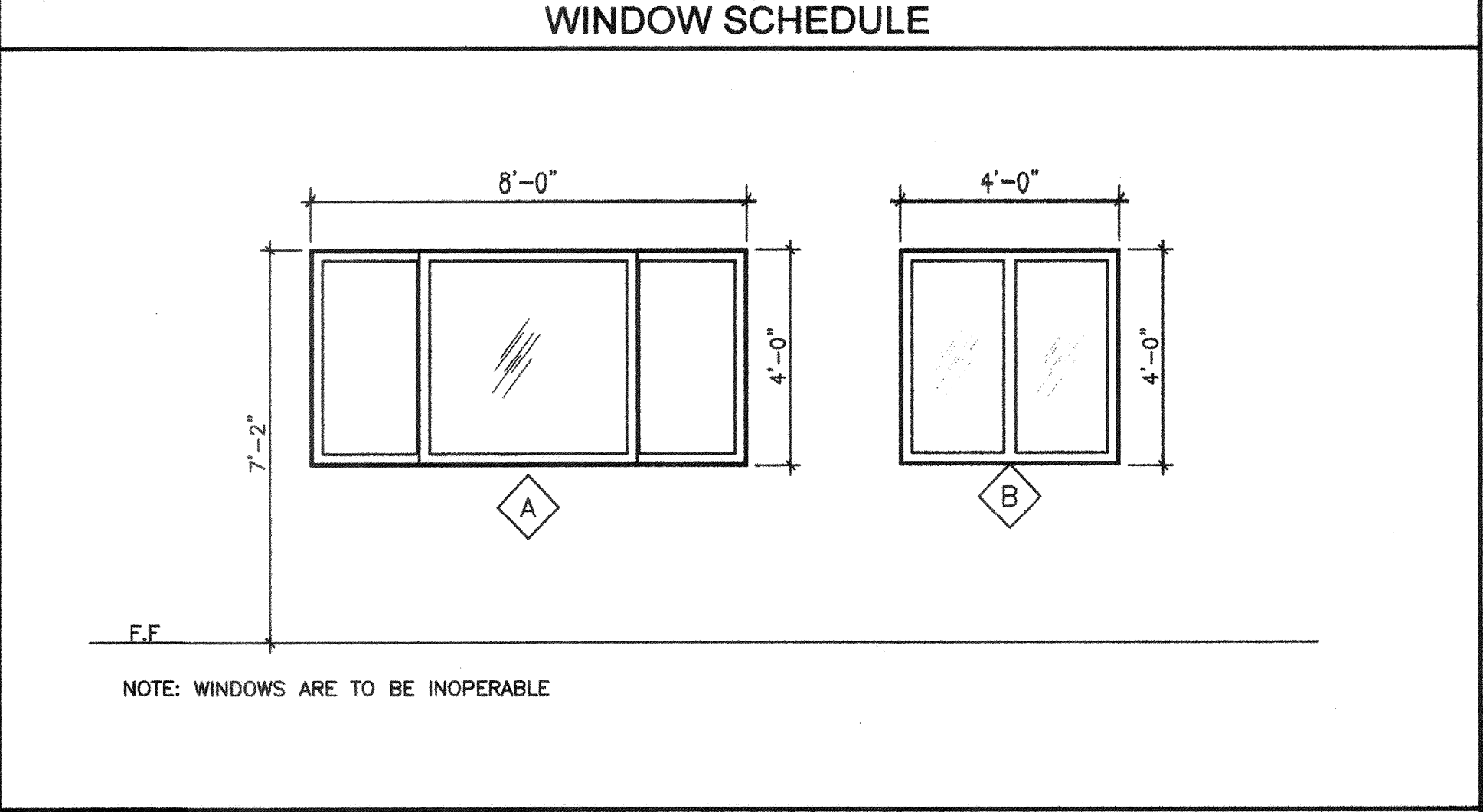
EXTERIOR DOOR HARDWARE
 1. HINGES: HAGER 4-1/2x4-1/2 BUTTS, BB1279 US26D, 1-1/2 PAIR SCREW IN BARREL AND BALL BEARING DESIGN.
 2. CLOSER: NORTON 8500DA OR 8500BF SERIES, LCN 1460 DEL SERIES OR EQUAL. (5 LBS. MAX. PRESSURE)
 3. WEATHERSTRIPPING: ALL EXTERIOR DOORS SHALL BE WEATHERSTRIPPED WITH PEMKO 299D, ULTRA WS007 OR EQUAL, AT DOOR JAMBS AND HEAD.
 4. THRESHOLD: THRESHOLD SHALL BE PEMKO 271 AV 5" ALUMINUM WITH PEMKO 216 AV ULTRA TH042 DOOR BOTTOM.
 5. LOCKDOWN: INTERIOR TEACHERS' MANUAL LOCK FOR CAMPUS LOCK DOWN CRITERIA - REQUIRED FOR STATE-FUNDED SCHOOLS, PER EDUCATION CODE SECTION 17075.50 (AND ALSO CBC 1008.1.11): PROVIDE LOCKS THAT ALLOW DOORS TO CLASSROOMS AND ANY ROOM WITH AN OCCUPANCY OF FIVE OR MORE PERSONS TO BE LOCKED FROM THE INSIDE. LOCKS SHALL COMPLY WITH C.B.C. SECTION 1008.1.9.

*ADDITIONAL DOORS MAY BE REQUIRED BASED ON BUILDING LAYOUT.

WINDOW SCHEDULE

WINDOW TYPE	QTY.	FUNCTION	W WIDTH	H HEIGHT	FINISH	GLASS TYPE	U FACTOR	SHGC	VT MIN	MIN STC RATING	REMARKS
A	5	FIXED	8'-0"	4'-0"	BRONZE ANODIZED	SOLAR GREY	0.780	0.430	0.37	27	INOPERABLE
B	5	FIXED	4'-0"	4'-0"	BRONZE ANODIZED	SOLAR GREY	0.780	0.430	0.37	27	INOPERABLE

EXTERIOR LITE - 3/16" MINIMUM TEMPERED GLASS, OR LAMINATED AS 1 GLASS OF SOLAR GRAY GLARE REDUCING TYPE WITH A LIGHT TRANSMISSION FACTOR OF 45% MAXIMUM.



WINDOW TYPES

NOTE:
 WOMEN & GIRLS RESTROOM FOR R32:
 TILE FLOORS, BY DAL TILE, COLOR: UPTOWN TAUPE SPECKLE #D202
 FULL HEIGHT TILE WALLS WITH COVED BASE, BY DAL TILE, COLOR: PEPPER WHITE #0147
 ACCENT TILE, CHECKERBOARD PATTERN AT +4'-0" A.F.F. ON ALL WALLS,
 BY DAL TILE, COLOR: CYPRESS #1452
 ALL GROUT TO BE PEWTER #19

MEN & BOYS RESTROOM FOR R32:
 TILE FLOORS, BY DAL TILE, COLOR: UPTOWN TAUPE SPECKLE #D202
 FULL HEIGHT TILE WALLS WITH COVED BASE, BY DAL TILE, COLOR: PEPPER WHITE #0147
 ACCENT TILE, CHECKERBOARD PATTERN AT +4'-0" A.F.F. ON ALL WALLS,
 BY DAL TILE, COLOR: DESERT GRAY #X114
 ALL GROUT TO BE PEWTER #19

SOLID PLASTIC PARTITIONS FOR R-32 STUDENT RESTROOMS
 COLOR TO BE BLACK CONFETTI #9217

NOT USED

FINISH INDICATORS

A - CARPET PER STATE OF CALIF SPEC COMPLYING WITH GROUP 1, TYPE A OR TYPE B, CLASS 2, DENSITY 4600, DIRECT GLUE DOWN.
 COLLINS & AIKMAN/TANDUS, STYLE - CRAYON, COLOR - OUTSIDE THE LINES #48005.
 B - VINYL SHEET FLOORING, 0.6 MIN, C.D.F. PER ASTM D 2047 (COLOR TO BE ARMSTRONG #88702 WHITE CLIFFS)
 C - VCT ARMSTRONG, STANDARD, OR EXCELON
 D - TOP SET BASE. 4"
 E - TOP SET BASE. 6"
 F - WALL FINISH. 1/2" VINYL TACKBOARD CLASS 1 OVER 1/2" GYP BOARD BACKING (COLOR TO BE MISTY GRAY)
 G - 1/2" GYP BOARD. TAPE, PAINTED FINISH
 H - 1/2" GYP BOARD. TAPE, PAINTED FINISH
 J - 3/32" F.R.P. OVER 1/2" W.R. GYP BOARD
 K - ACOUSTICAL LAY IN GRID CEILING PANELS
 L - 1/2" VINYL TACKBOARD CLASS 1 OVER 5/8" TYPE "X" GYP BOARD BACKING
 M - 5/8" TYPE "X" GYP BOARD. TAPE, TEXTURE, PAINTED FINISH
 N - CERAMIC TILE
 O - MARMOLEUM COMPOSITION TILE:
 MAIN COLOR = 3233 SHITAKE
 ACCENT 1 = 3022 JADE
 ACCENT 2 = 3127 BLEECHERSTREET
 ACCENT 3 = 3055 FRESCO BLUE

ROOM NUMBER	ROOM NAME	FLOOR	FINISHES							REMARKS
			BASE	FRONT	REAR	RIGHT	LEFT	CEILING	CEILING HEIGHT	
A101	RESTROOM	N	N	N	N	N	N	M	8'-6"	
A102	CLASSROOM	A	D	F	F	F	F	K	8'-6"	
A103	CLASSROOM	A	D	F	F	F	F	K	8'-6"	
A104	CLASSROOM	A	D	F	F	F	F	K	8'-6"	
A105	CLASSROOM	A	D	F	F	F	F	K	8'-6"	
A106	CLASSROOM	A	D	F	F	F	F	K	8'-6"	

ROOM FINISHES SCHEDULE

NOT USED

02-113939 - 24'x40' thru 120'x40' PITCHED ROOF - 04/27/17
 02-113939 - 24'x40' thru 120'x40' PITCHED ROOF - 04/27/17