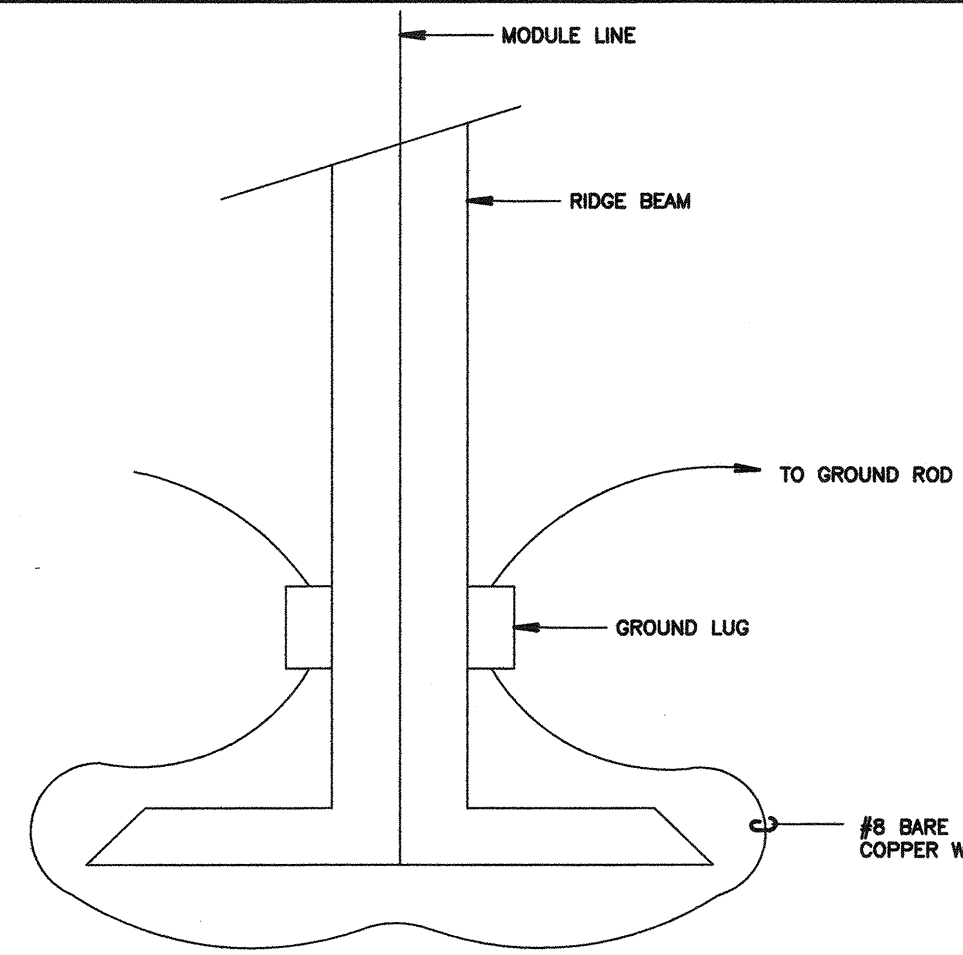
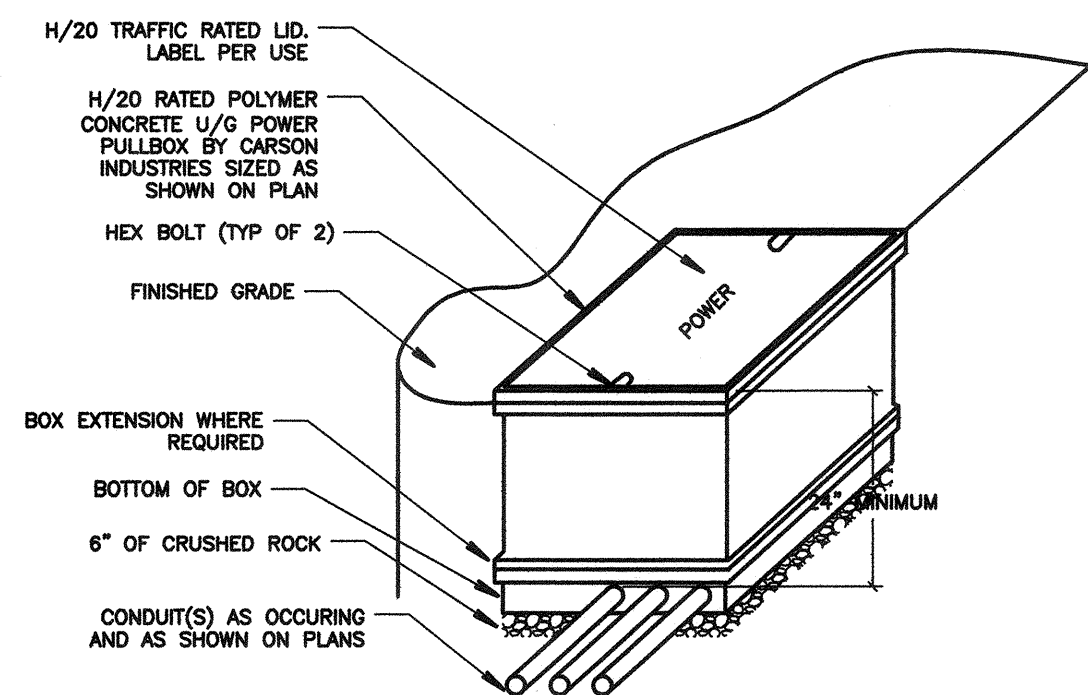


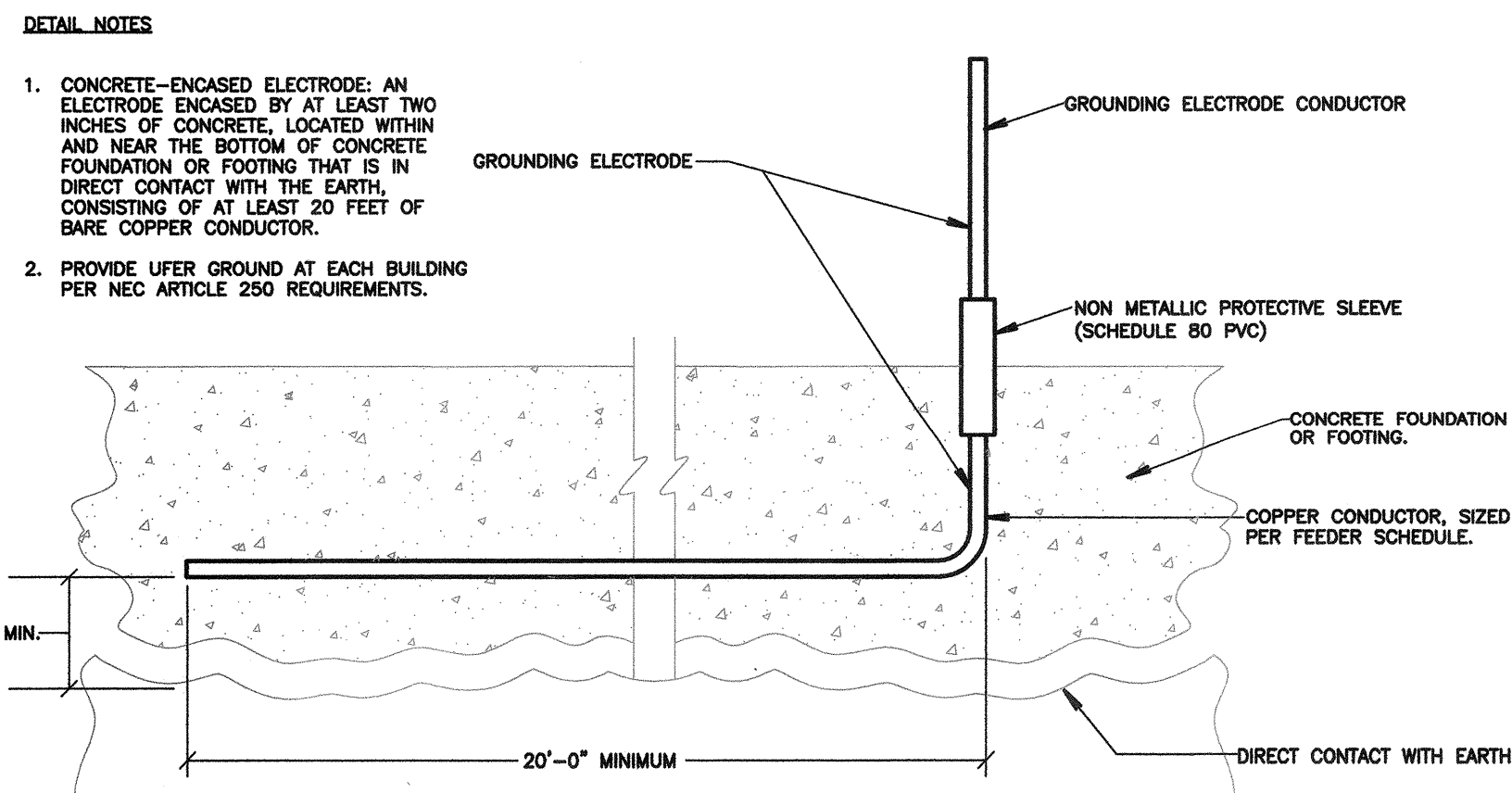
8 HUBBELL RE4X BOX MOUNTING DETAIL
NOT TO SCALE



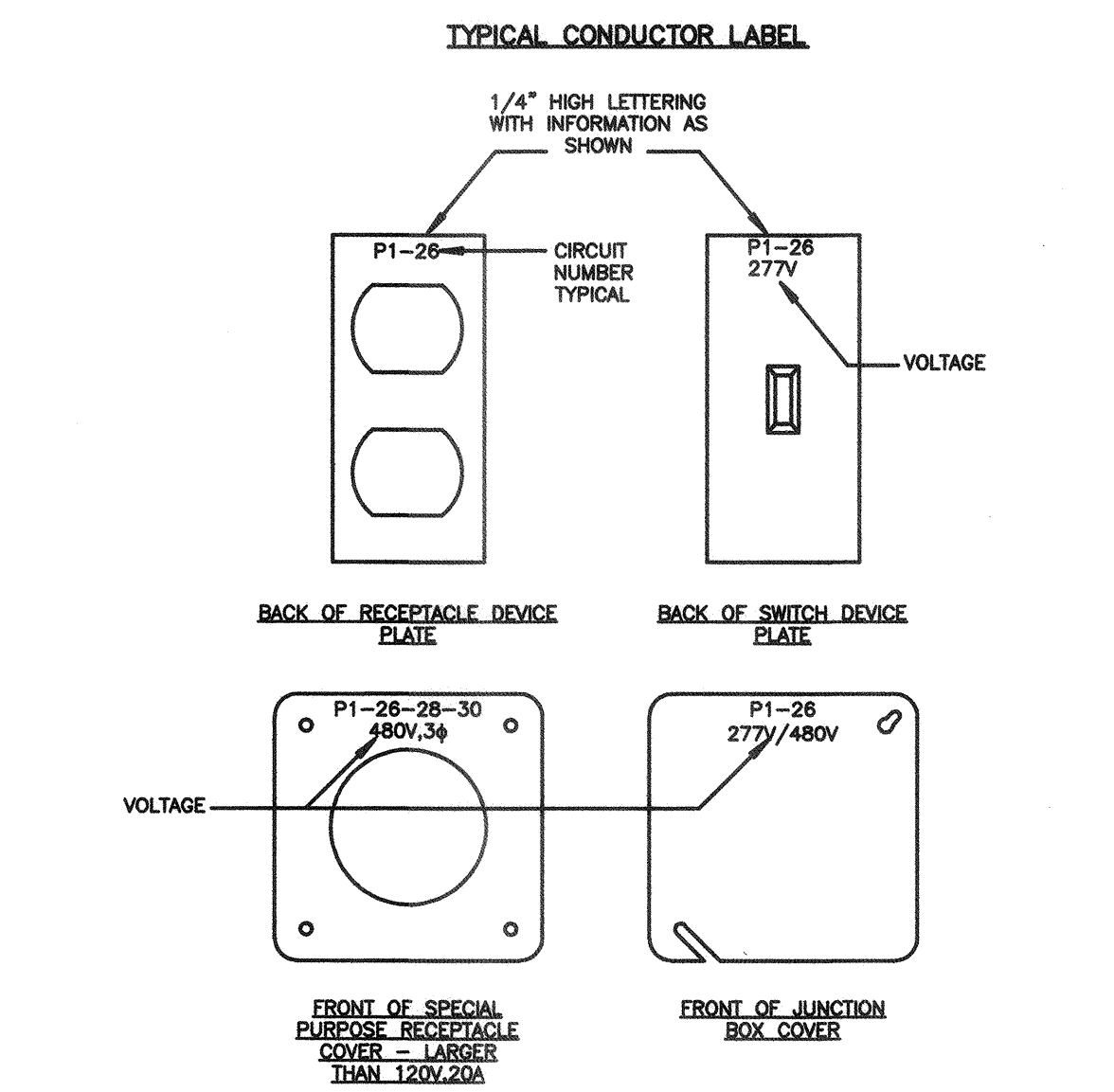
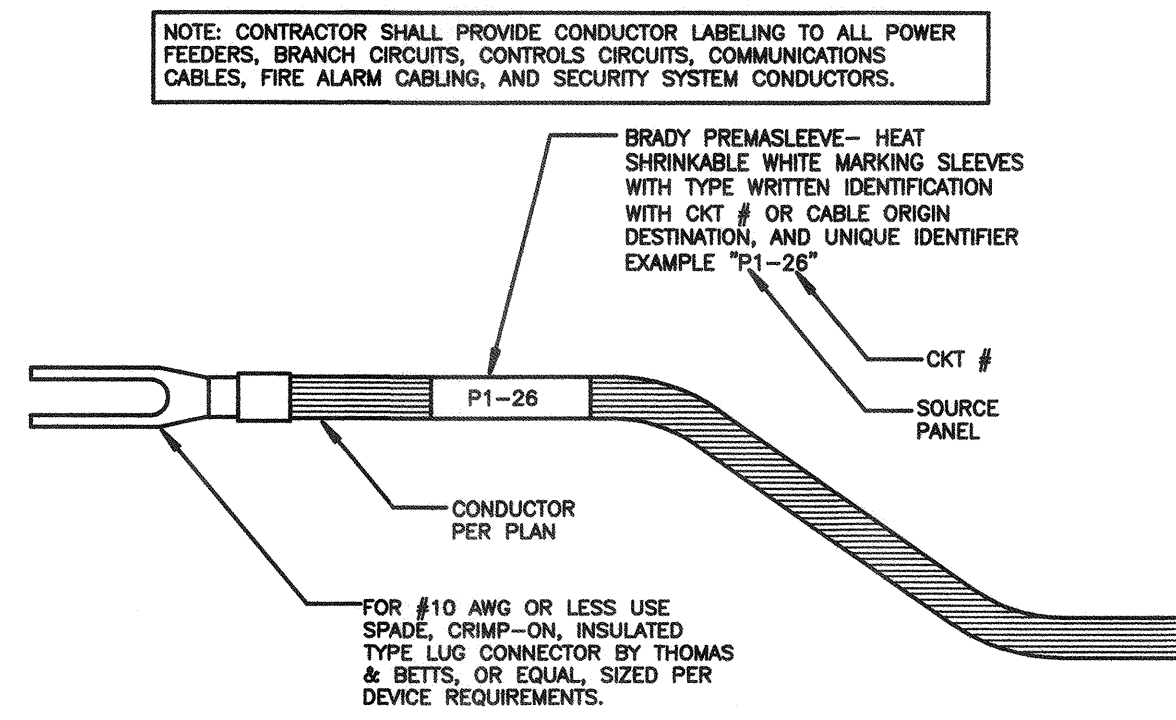
9 RELOCATABLE MODULE BONDING DETAIL
NOT TO SCALE



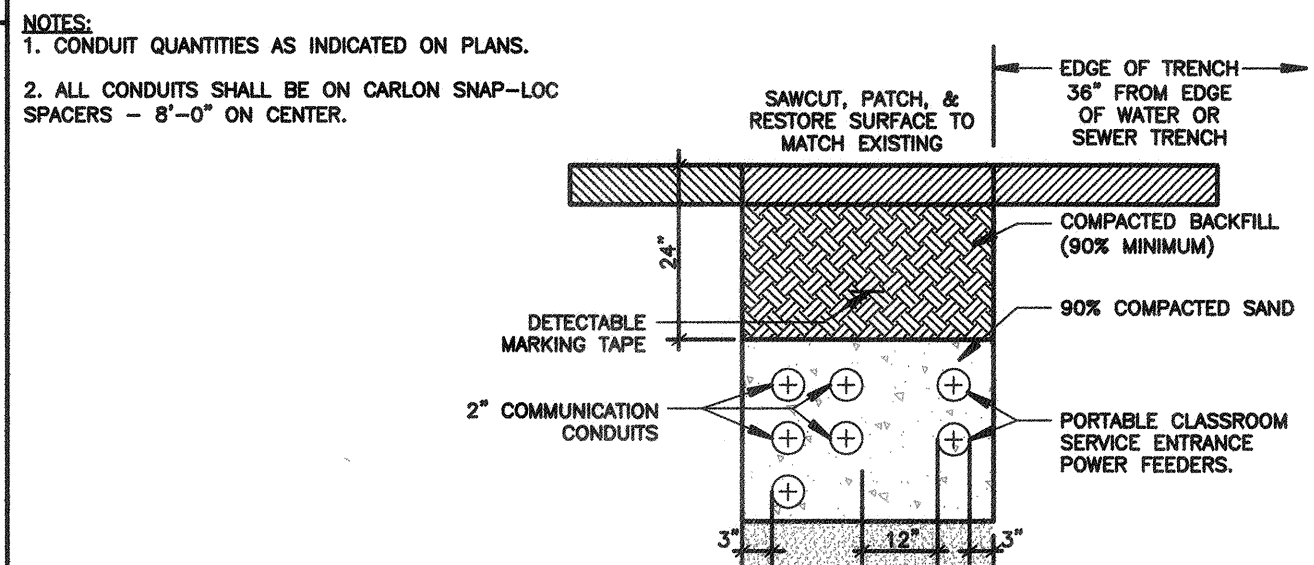
10 TYPICAL PULL BOX DETAIL
SCALE: NOT TO SCALE



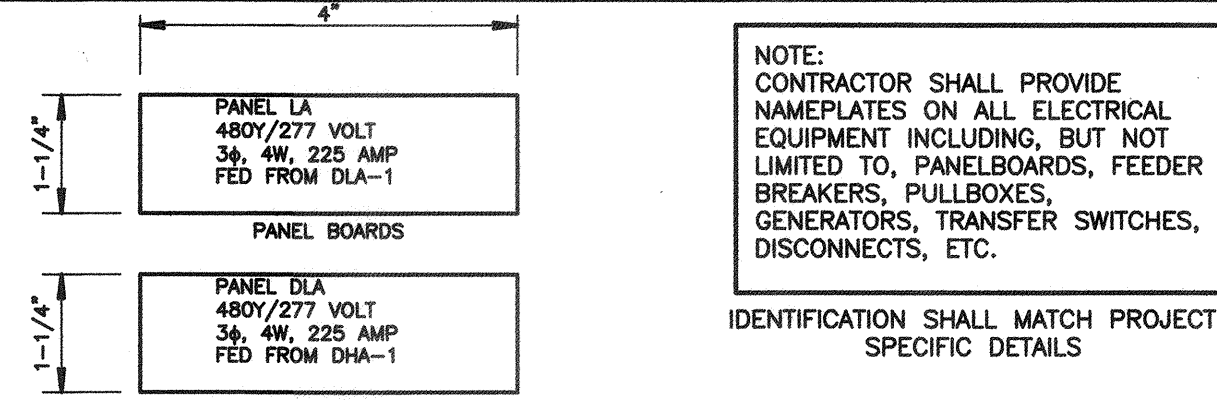
11 UFER GROUND DETAIL
SCALE: NOT TO SCALE



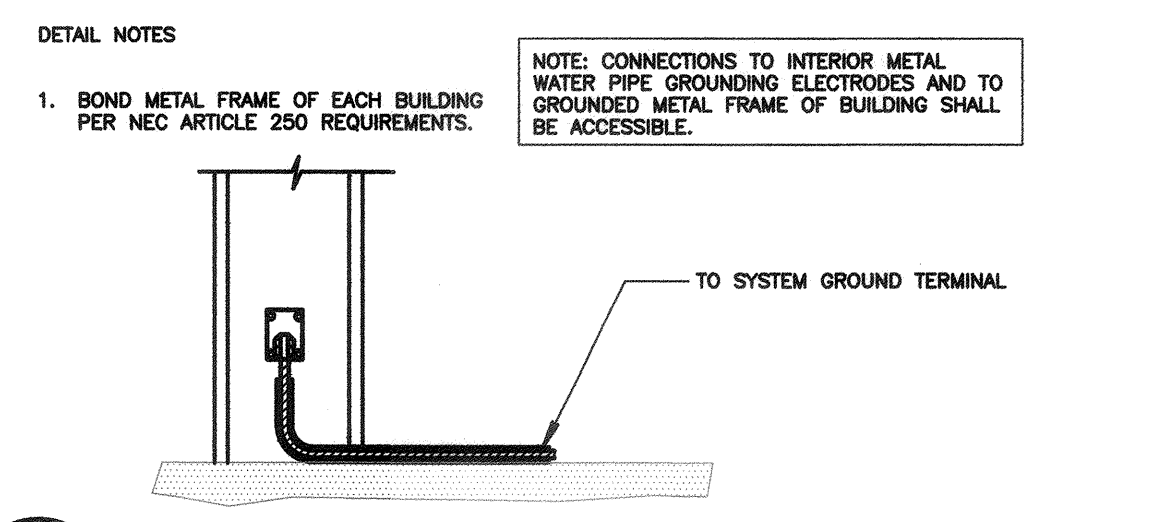
6 TYPICAL LABELING DETAIL
SCALE: NOT TO SCALE



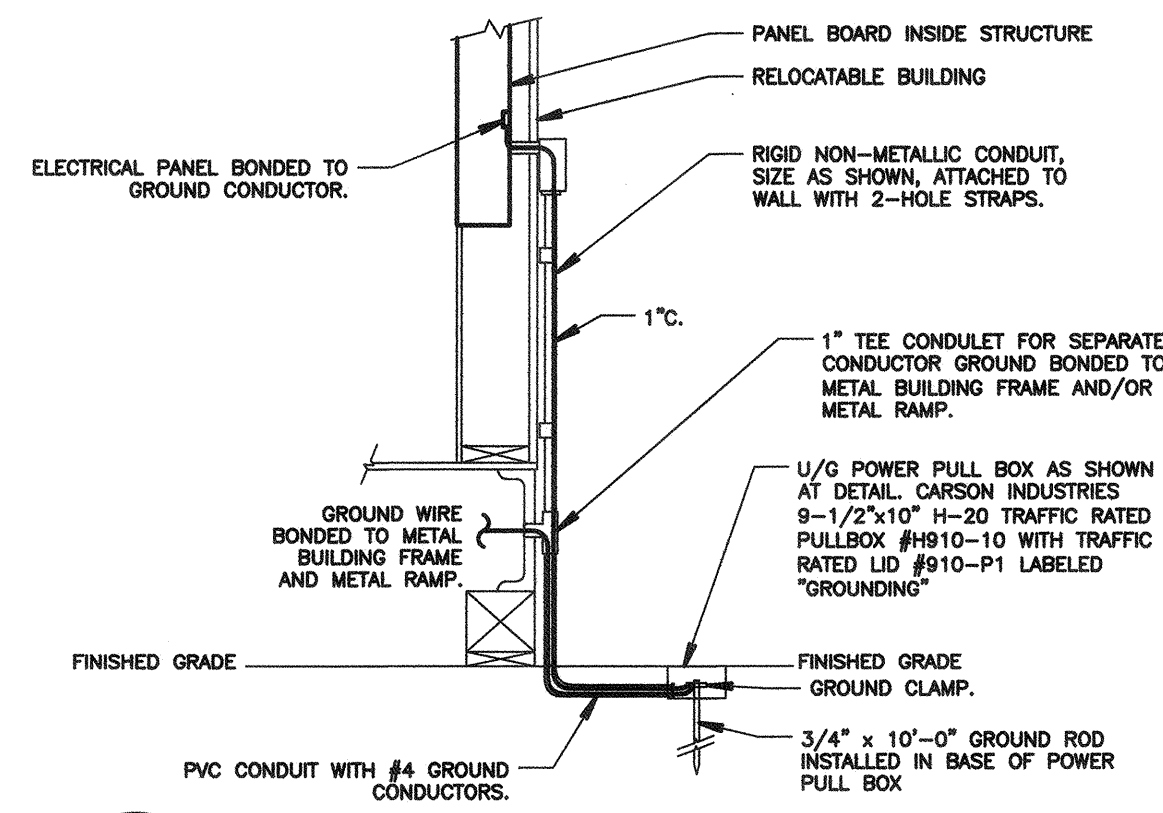
7 TYPICAL DUCT BANK SECTION
SCALE: NOT TO SCALE



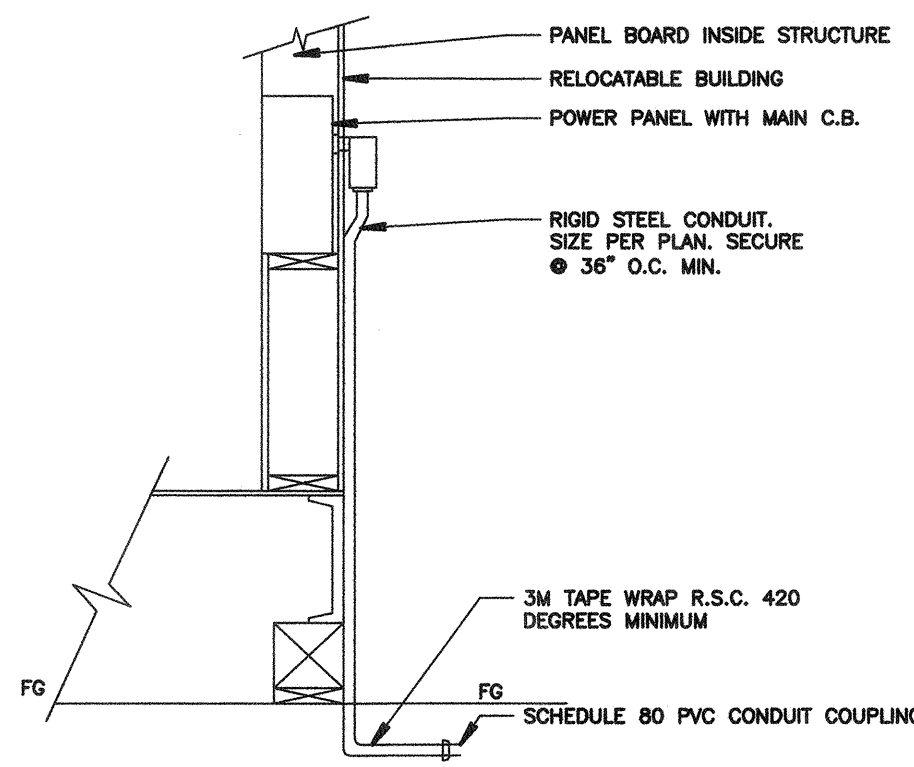
7A TYPICAL NAMEPLATE DETAILS
NOT TO SCALE



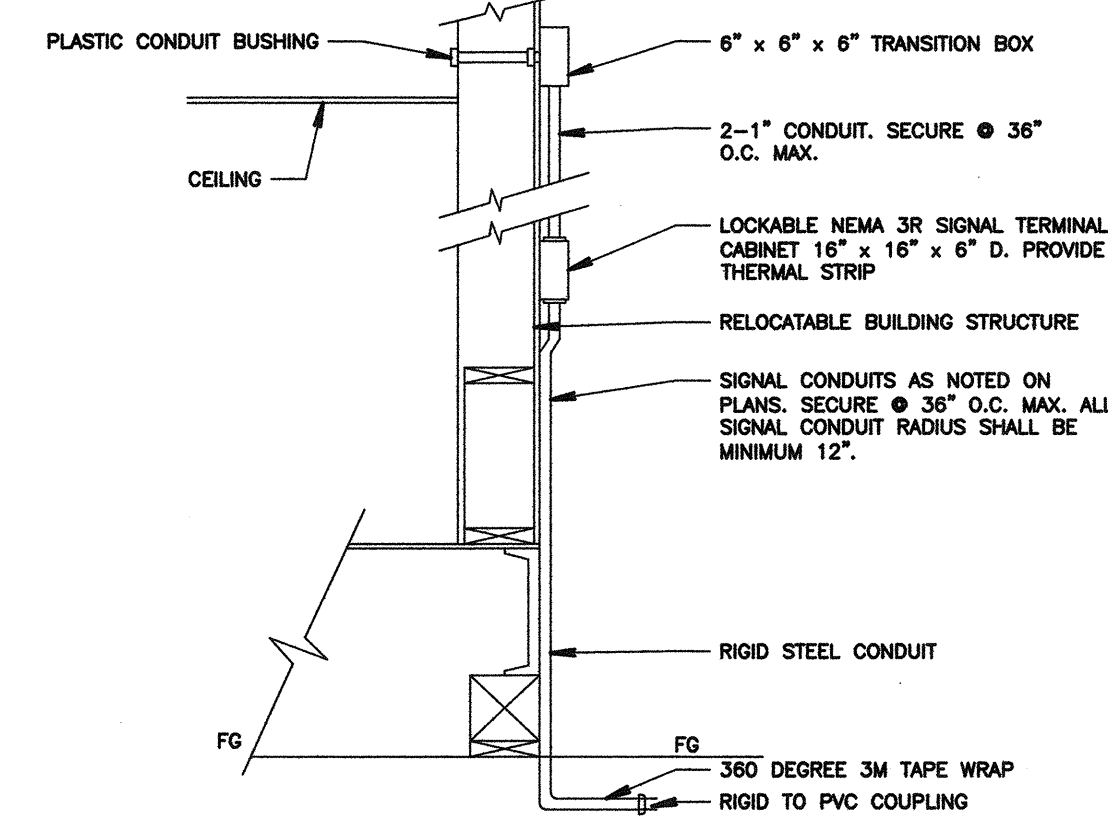
7B METAL FRAME GROUNDING DETAIL
SCALE: NOT TO SCALE



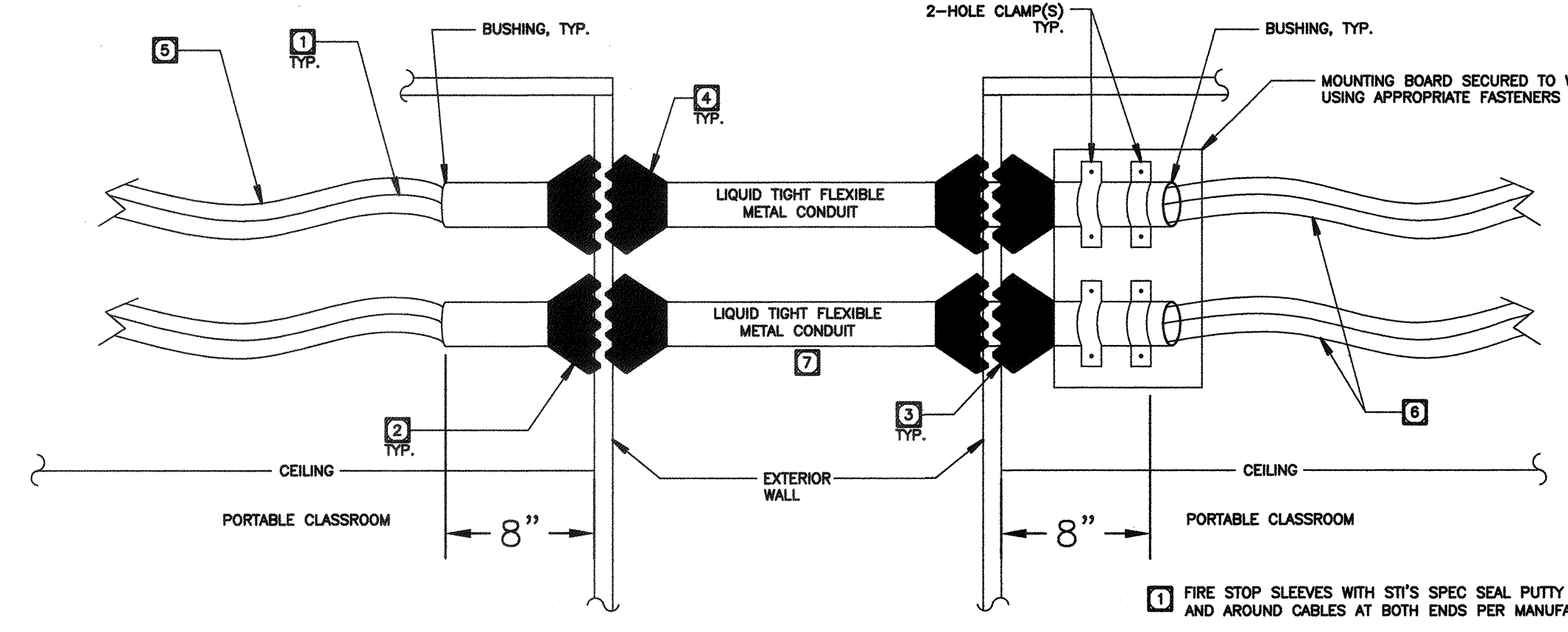
1 TYPICAL PORTABLE CLASSROOM GROUNDING DETAIL
SCALE: NOT TO SCALE



2 TYPICAL PORTABLE CLASSROOM POWER DETAIL
SCALE: NOT TO SCALE



4 TYPICAL PORTABLE CLASSROOM SIGNAL DETAIL
SCALE: NOT TO SCALE



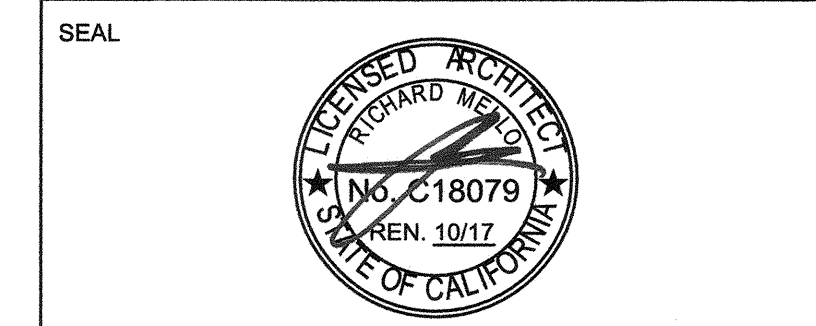
3 TYPICAL CONDUIT EXPANSION DETAIL
NOT TO SCALE

DETAIL NOTES

- GROUND CONDUCTORS SHALL BE #4 COPPER
- BOND SEPARATE CONDUCTORS FROM GROUND ROD TO ELECTRICAL PANEL AND TO METAL BUILDING FRAME. IN ADDITION TO THE DETAIL SHOWN ABOVE, BOND THE ELECTRICAL GROUND TO METAL WATER PIPE EMBEDDED AT LEAST 10\"/>
- ALL MODULES OF METAL FRAME BUILDING SHALL BE ELECTRICALLY BONDED TOGETHER (BOLTING ONLY IS NOT ACCEPTABLE BONDING). PROVIDE #6 BONDING JUMPER BETWEEN FRAMES IN ACCESSIBLE AREA.
- CHECK RESISTANCE TO GROUND. IF RESISTANCE EXCEEDS 25 OHMS, INSTALL ONE ADDITIONAL GROUND ROD, SEPARATED BY A MINIMUM OF 6', WITH CONDUCTORS AS SHOWN.
- BOND ALL RAMP STEEL RAILING WITH A #6 COPPER SOLID BONDING JUMPER TO THE ELECTRICAL PANEL OR THE STEEL FRAME OF THE UNIT.
- THE SITE INSPECTOR SHALL WITNESS THE GROUNDING TEST.

NOTE: PER DSA IR E-1 METAL MODULAR BUILDINGS: EACH BUILDING COMPONENT, INCLUDING STEEL RAMP, MUST BE ELECTRICALLY BONDED TOGETHER IN A MANNER ACCEPTABLE TO THE DIVISION OF THE STATE ARCHITECT (DSA).
ALL METAL BUILDING COMPONENTS MUST BE ELECTRICALLY BONDED TOGETHER, AND EACH BUILDING MUST BE INDEPENDENTLY GROUND. MULTIPLE BUILDINGS ARE NOT TO BE GROUND THROUGH THE ELECTRICAL SYSTEM. ALL GROUNDING SYSTEMS ARE TO BE TESTED WITH A MEGGER UNIT, OR IN AN OTHERWISE ACCEPTABLE MANNER. REFER TO THE 2004 OR 2007 IBC, SECTION 250.52 FOR SPECIFIC GROUNDING REQUIREMENTS.

PRIME CONSULTANT
IBI ARCHITECTURE PLANNING
San Luis Obispo
4119 Broad Street, Suite 210
San Luis Obispo, CA 93401
805.546.0433 fax: 805.546.0504
ibigroup.com



COPYRIGHT: Any reproduction or distribution for any purpose other than authorized by IBI Group is forbidden.

COPYRIGHT 2017 IBI GROUP

REVISIONS			
NO.	DATE	APPRD.	DESCRIPTION

CONSULTANT
FERRANTI ENGINEERING
CONSULTING ELECTRICAL ENGINEERS
1211 MARICOPA HWY, SUITE 250
OJAI, CA 93023
(805) 705-4772
DALEFERRANTI@LIVE.COM

AGENCY INFORMATION:
AGENCY TRACKING NO. 63321-241
FILE NO. 15-6
IDENTIFICATION STAMP
DIV. OF THE STATE ARCHITECT
OFFICE OF REGULATION SERVICES
03-118380
AC. FLS. JESS. C.
DATE OCT 25 2017

BAKERSFIELD CITY SCHOOL DISTRICT

BESSIE OWENS INTERMEDIATE RELOCATABLES A101 - A106
815 EUREKA ST. BAKERSFIELD CA, 93305

OPSC or OSHPD PROJ. NO.
PROJECT NO: 16241.000
DRAWN BY: VZ
CHK'D BY: DF
ISSUE DATE: 8/29/2017
SHEET TITLE

DETAILS

SHEET NUMBER
E5.0

CONSTRUCTION DOCUMENTS