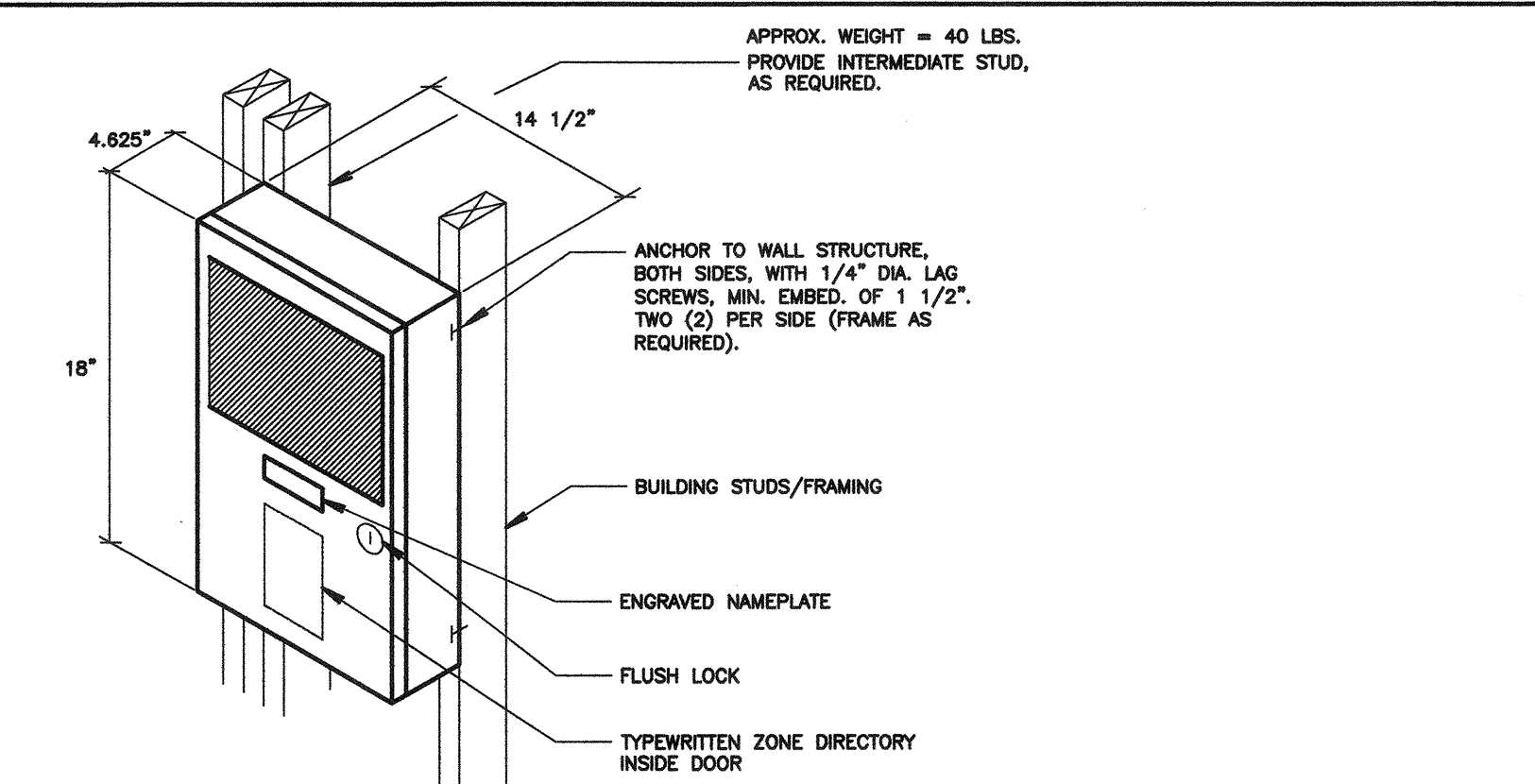
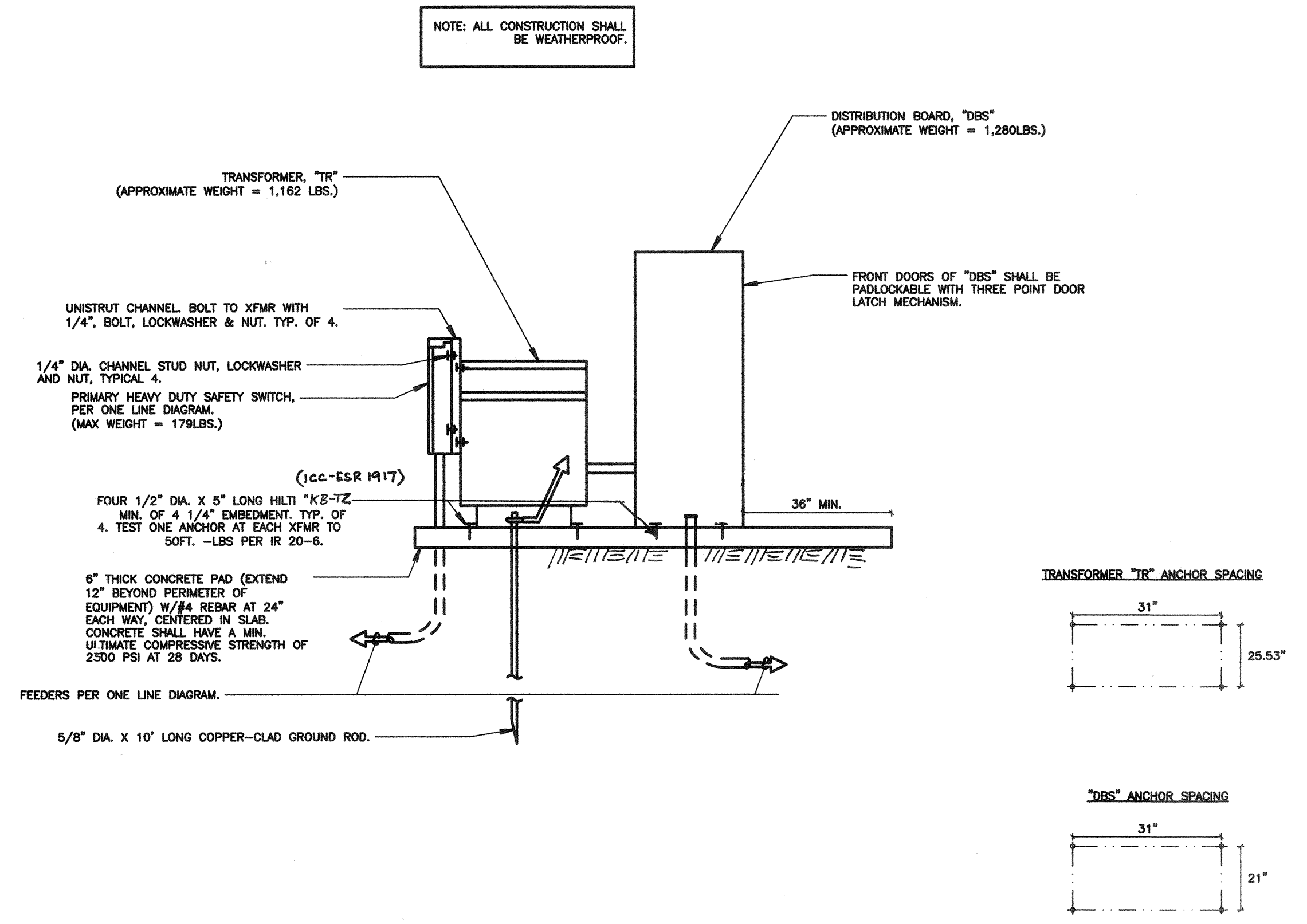


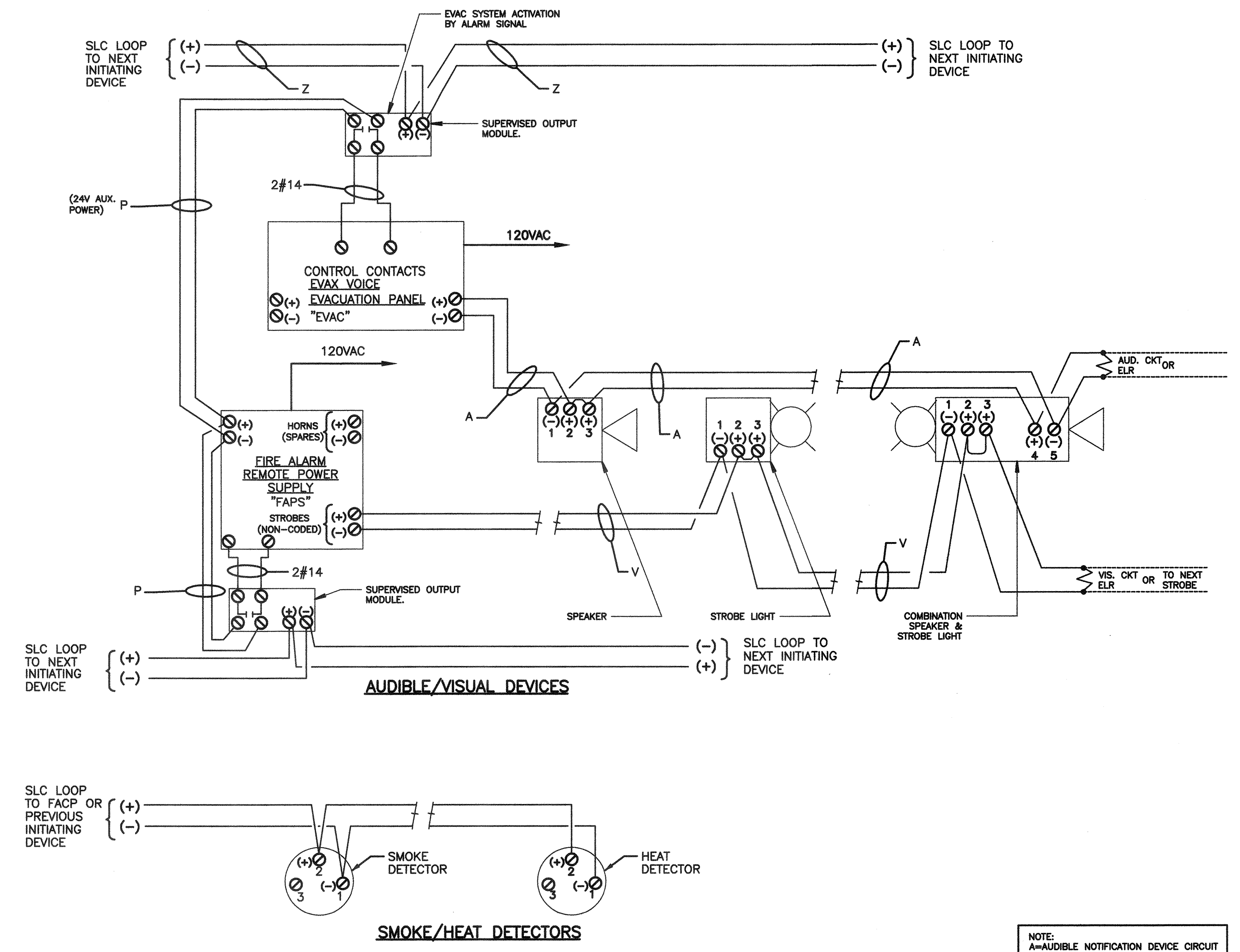
3 TYPICAL FIRE ALARM DEVICE MOUNTING DETAILS
SCALE: NOT TO SCALE



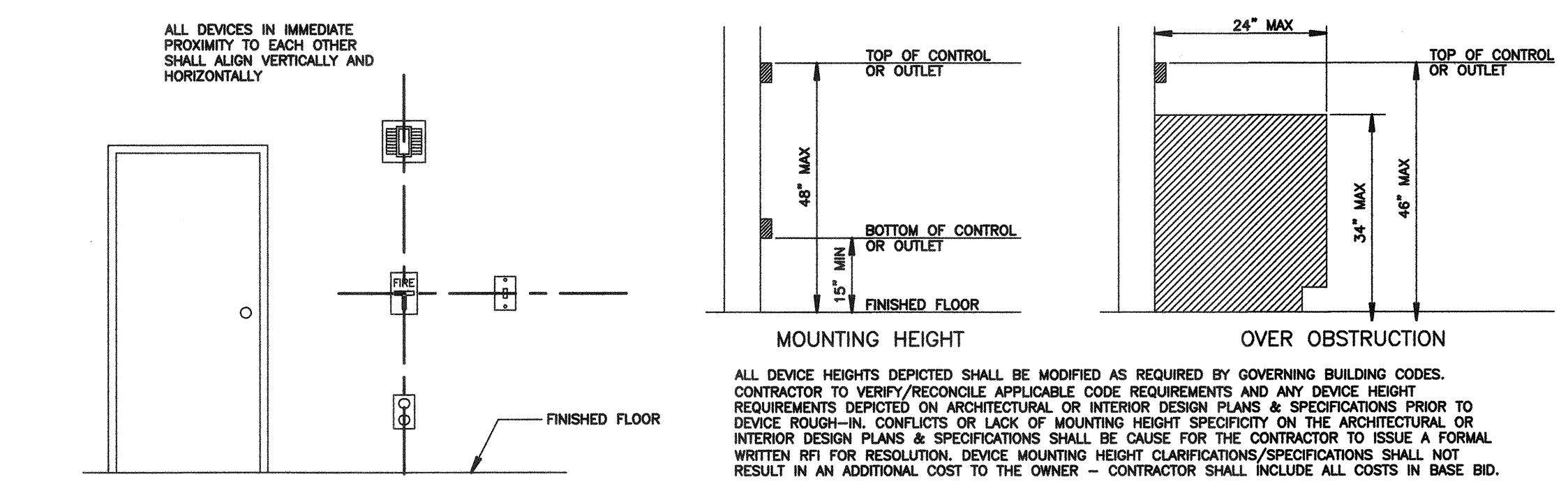
4 FIRE ALARM REMOTE POWER SUPPLY (FAPS), FIRE ALARM CONTROL PANEL (FACP), MASTER VOICE PANEL, & DISTRIBUTED VOICE PANEL MOUNTING DETAIL
NOT TO SCALE



5 TYPICAL TRANSFORMER "TR" AND "DBS" MOUNTING
NOT TO SCALE



1 TYPICAL DEVICES WIRING DIAGRAMS DETAIL
NOT TO SCALE



2 DEVICE ALIGNMENT & MOUNTING HEIGHT DETAILS
NOT TO SCALE

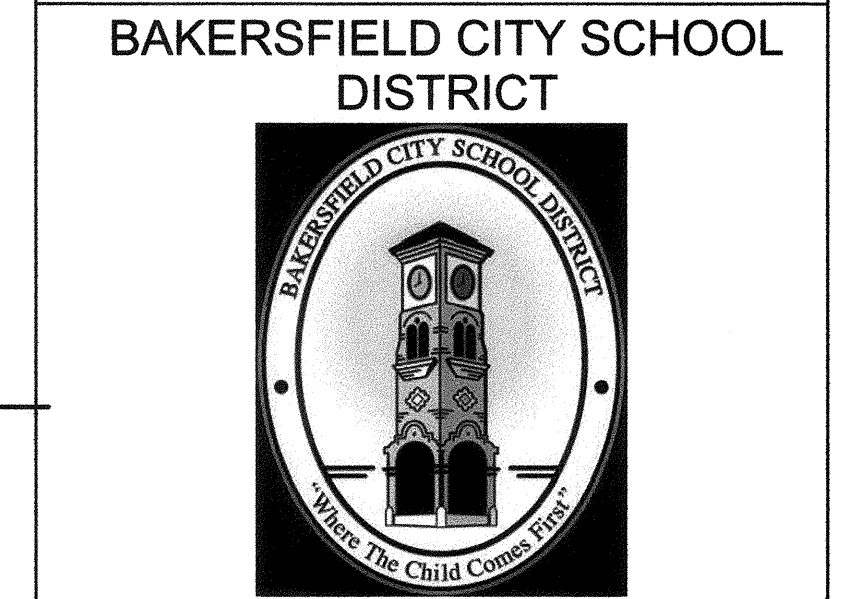
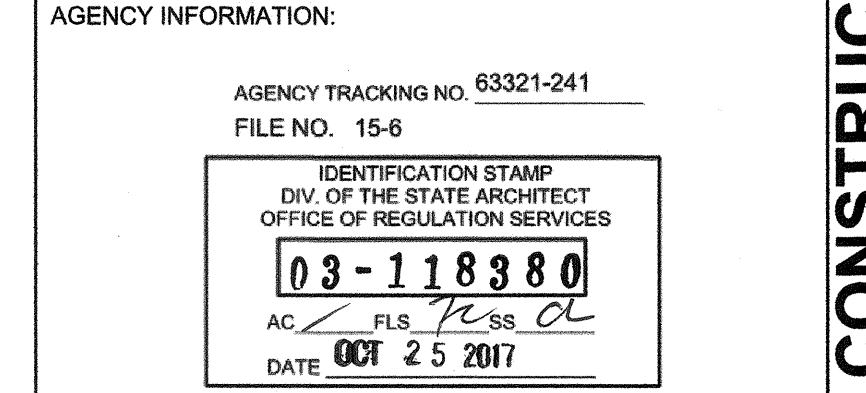
PRIME CONSULTANT
IBI ARCHITECTURE PLANNING
San Luis Obispo
4119 Broad Street, Suite 210
San Luis Obispo, CA 93401
805.546.0433 fax: 805.546.0504
ibigroup.com



COPYRIGHT:
Any reproduction or distribution for any purpose other than authorized by IBI Group is forbidden.
COPYRIGHT 2017 IBI GROUP

REVISIONS			
NO.	DATE	APPRD.	DESCRIPTION

CONSULTANT
FERRANTI ENGINEERING
CONSULTING ELECTRICAL ENGINEERS
1211 MARICOPA HWY, SUITE 250
OJAI, CA 93023
(805) 705-4772
DALEFERRANTI@LIVE.COM



BESSIE OWENS INTERMEDIATE RELOCATABLES A101 - A106
815 EUREKA ST. BAKERSFIELD CA, 93305

OPSC or OSHPD PROJ. NO.:
PROJECT NO.: 16241.000
DRAWN BY: VZ
CHKD BY: DF
ISSUE DATE: 8/29/2017
SHEET TITLE

FIRE ALARM WIRING DIAGRAMS & FIRE ALARM DETAILS, EQUIPMENT MOUNTING

SHEET NUMBER

E3.2

CONSTRUCTION DOCUMENTS