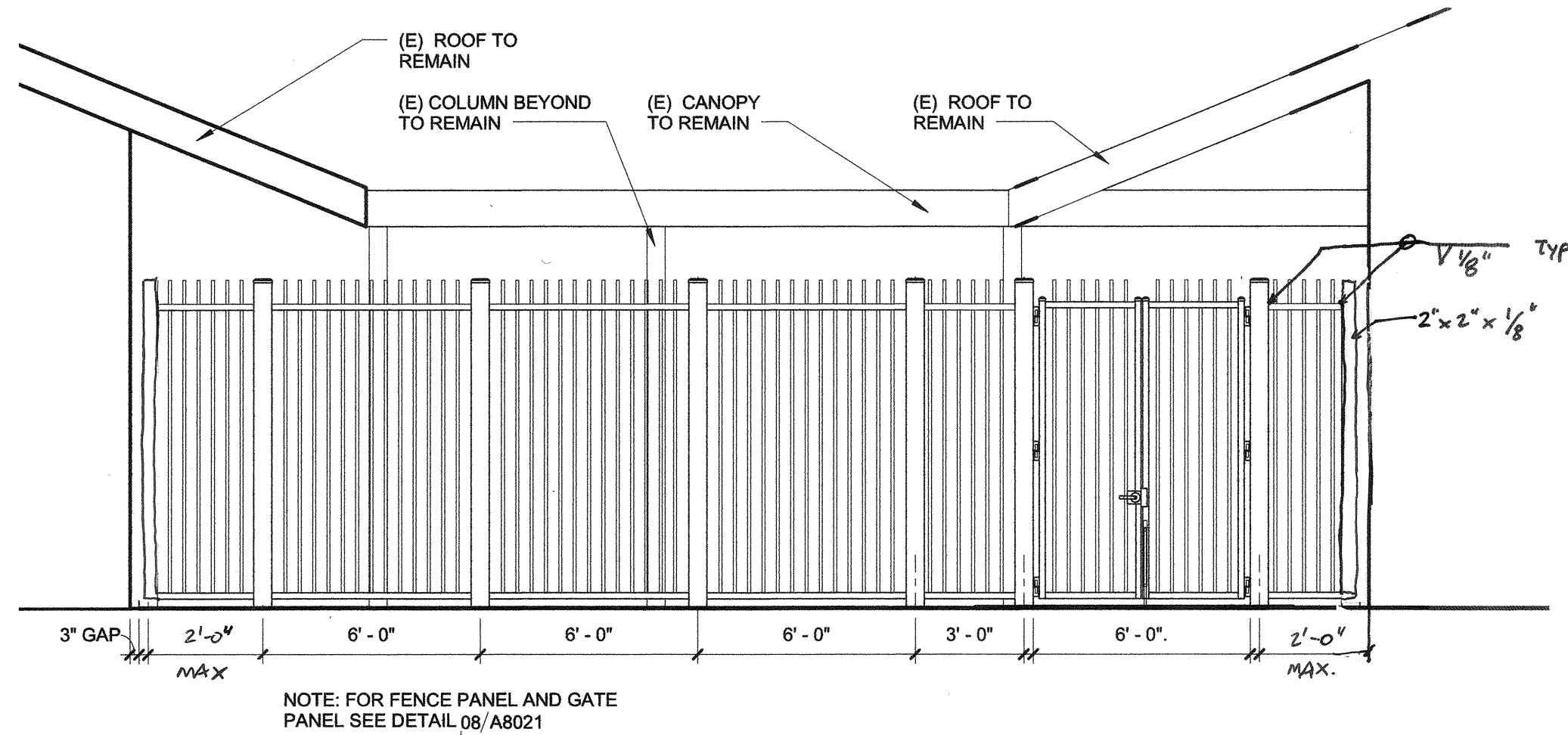


(E) CONDITION

NOTE: MAXIMUM EFFORT TO OPERATE GATE SHALL NOT EXCEED 5 POUNDS PUSH OR PULL EFFORT BEING APPLIED AT RIGHT ANGLES TO HINGED GATE

01 (E) ACCESS GATE

1/2" = 1'-0"



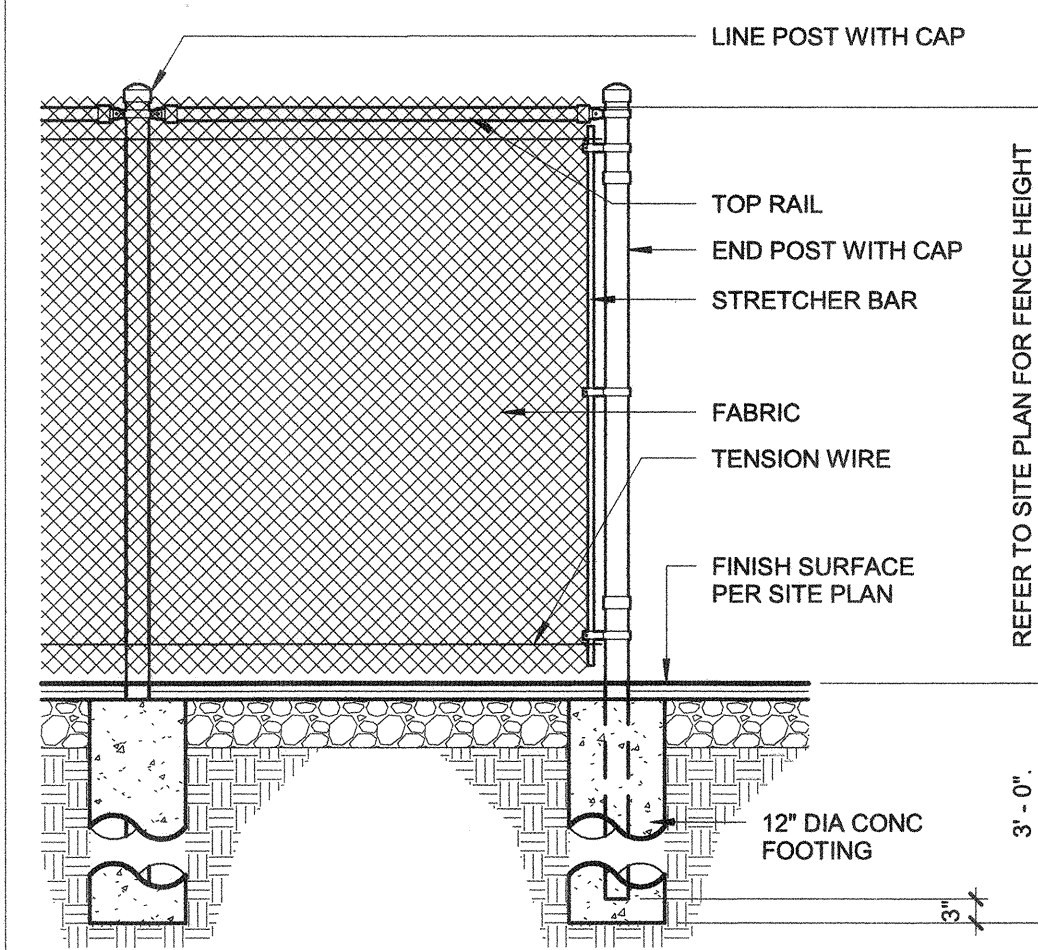
NOTE: FOR FENCE PANEL AND GATE PANEL SEE DETAIL 08/A8021

06 FENCE ELEVATION

1/4" = 1'-0"

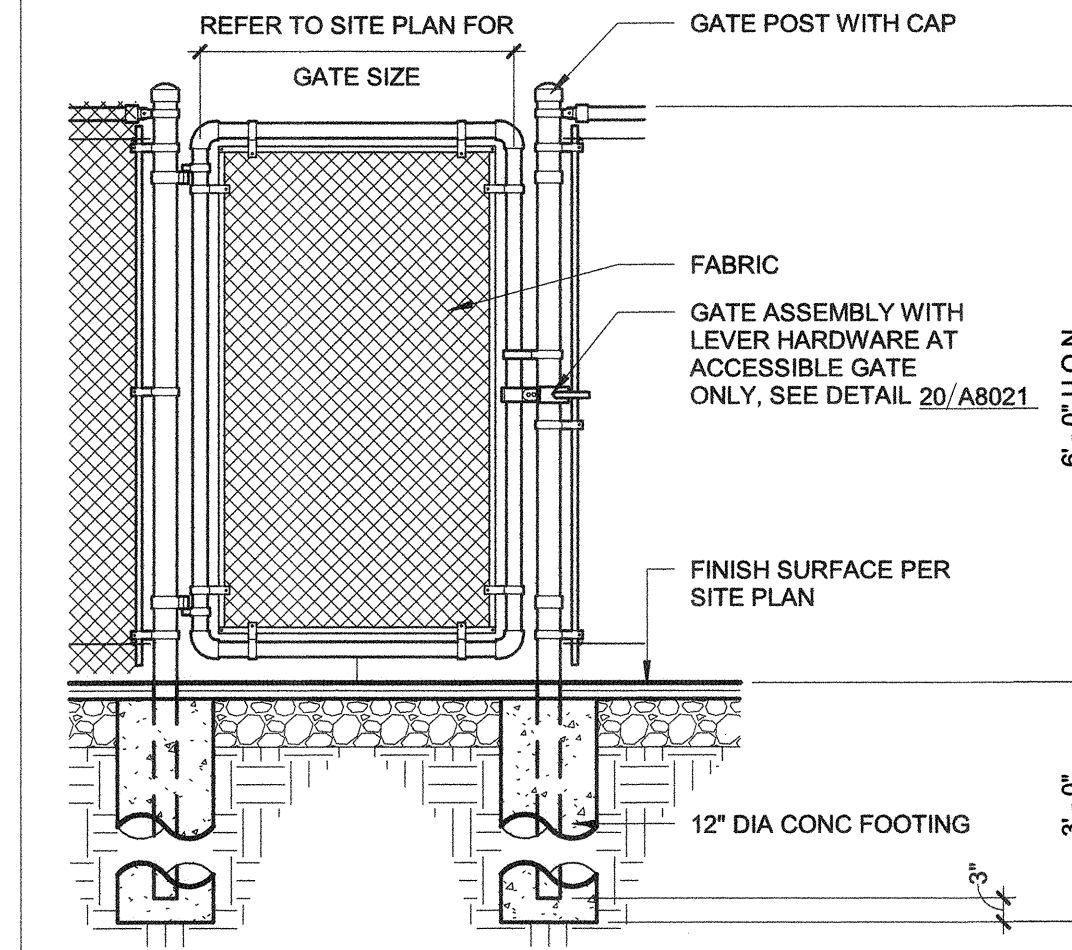
08 GATE AT FENCE

1/2" = 1'-0"



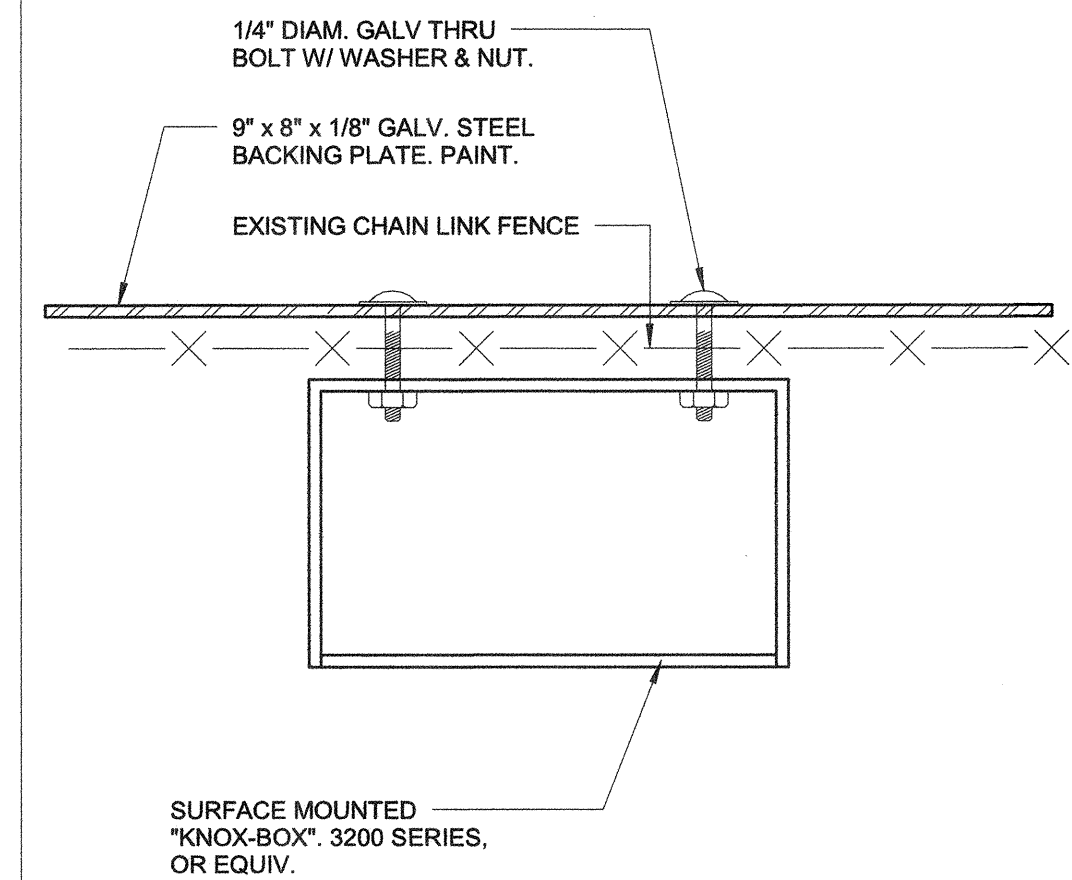
13 CHAIN LINK FENCE

1/2" = 1'-0"



14 CHAIN LINK GATE

1/2" = 1'-0"

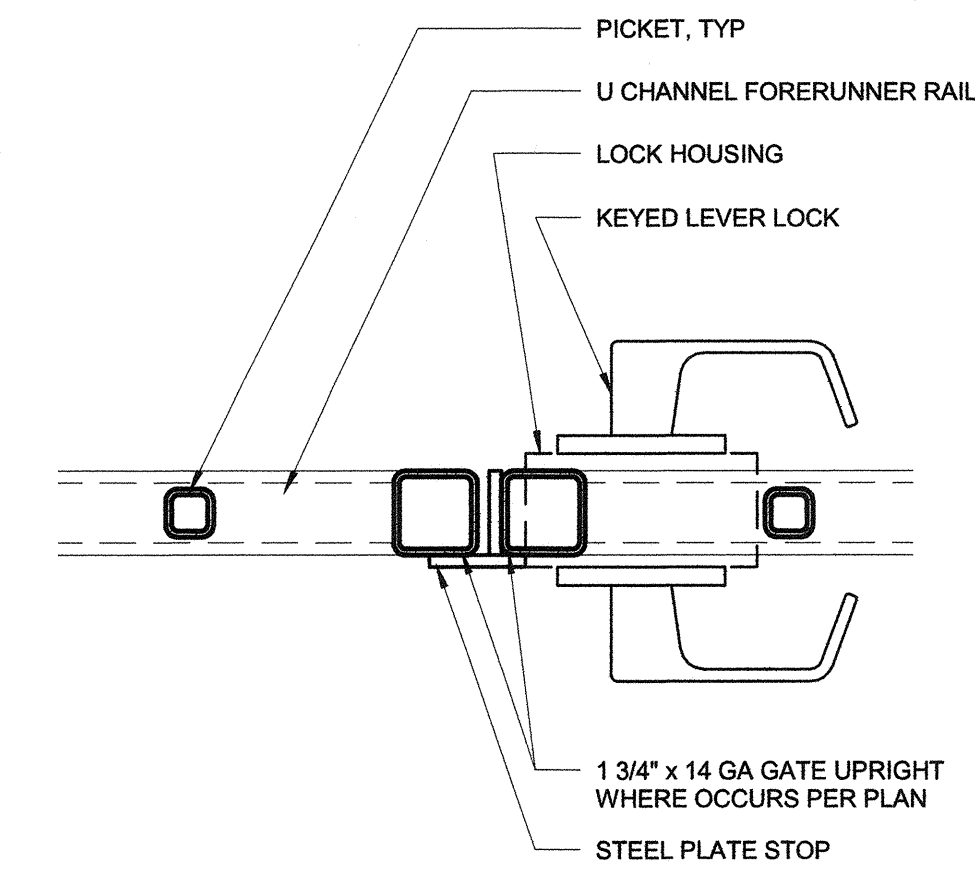


19 KNOX-BOX

6" = 1'-0"

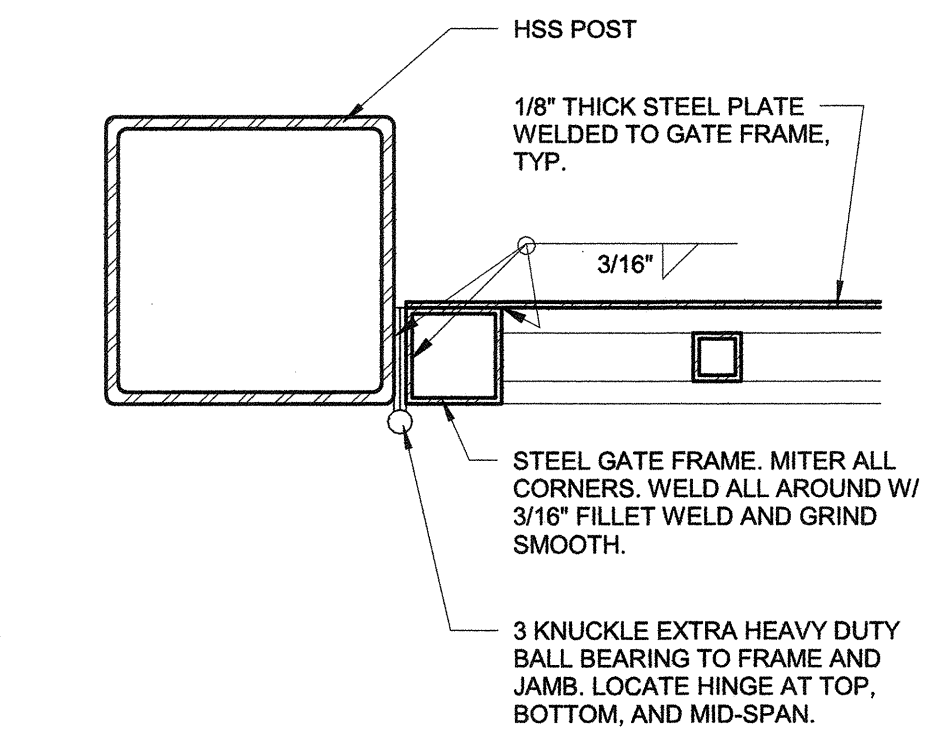
05 GATE LEVER

3" = 1'-0"



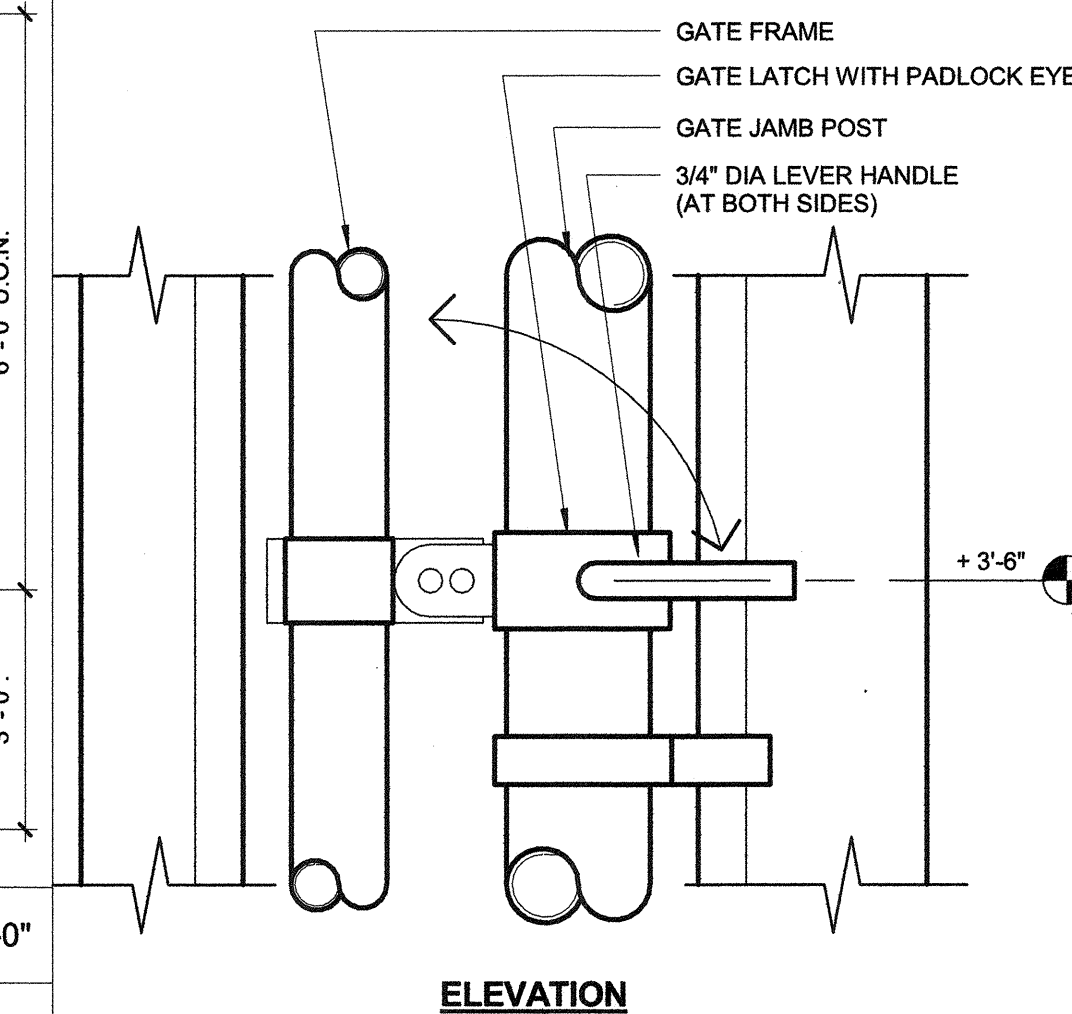
05 GATE LEVER

3" = 1'-0"

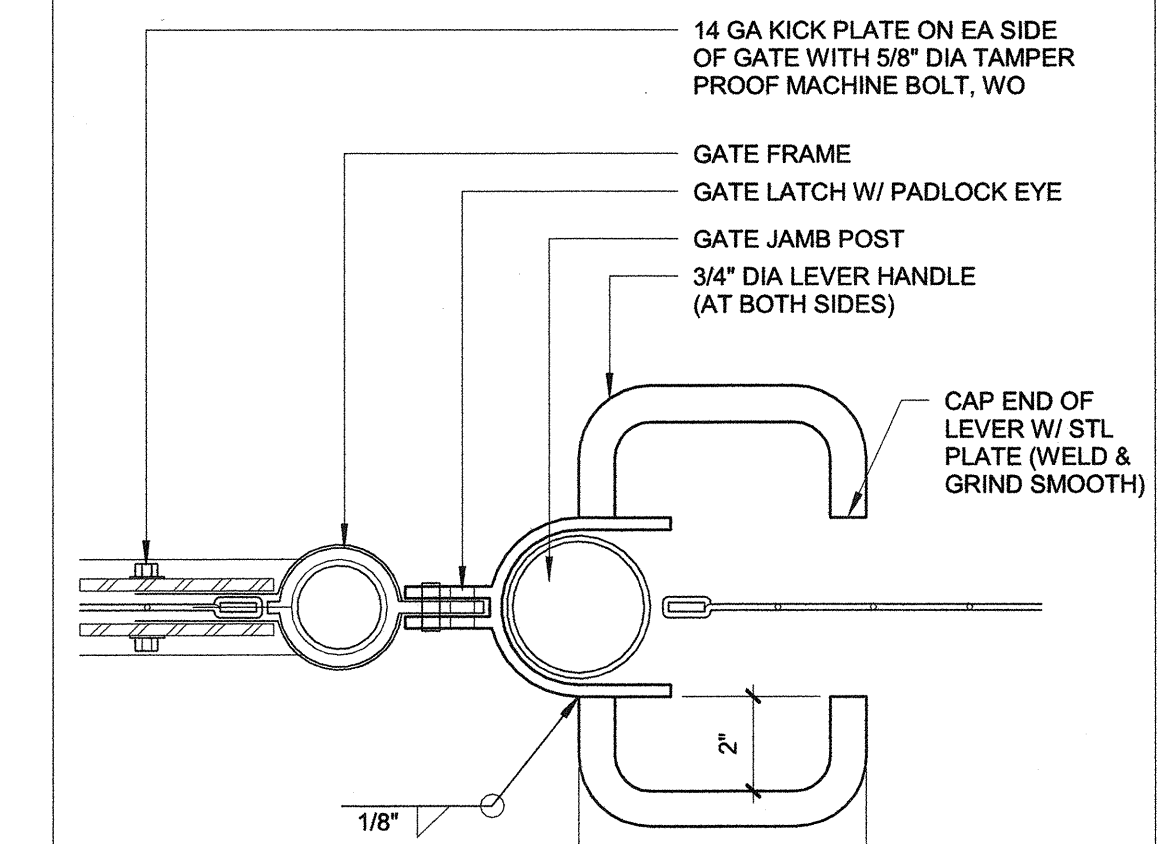


10 GATE JAMB

3" = 1'-0"



ELEVATION



20 ACC. GATE LATCH

3" = 1'-0"

PRIME CONSULTANT

IBI ARCHITECTURE PLANNING
San Luis Obispo
 4119 Broad Street, Suite 210
 San Luis Obispo, CA 93401
 805.546.0433 fax: 805.546.0504
 ibigroup.com

SEAL



COPYRIGHT: Any reproduction or distribution for any purpose other than authorized by IBI Group is forbidden.

COPYRIGHT 2017 IBI GROUP

REVISIONS

NO.	DATE	APPRD.	DESCRIPTION

CONSULTANT

AGENCY INFORMATION:

AGENCY TRACKING NO. 63321-241
 FILE NO. 15-6

IDENTIFICATION STAMP
 DIV. OF THE STATE ARCHITECT
 OFFICE OF REGULATION SERVICES
03-118380
 ALLIANCE FLORISSA
 DATE OCT 25 2017

BAKERSFIELD CITY SCHOOL DISTRICT



BESSIE OWENS INTERMEDIATE RELOCATABLES A101 - A106

815 EUREKA ST. BAKERSFIELD CA, 93305

OPSC or OSHPD PROJ. NO.:

PROJECT NO: 16241.000

DRAWN BY: rRr

CHKD BY: RM

ISSUE DATE: 08/29/2017

SHEET TITLE

DETAILS

SHEET NUMBER

A8021

CONSTRUCTION DOCUMENTS

PLOT DATE: 8/25/2017 8:26:16 AM
 C:\Users\Carlos.Zaragoza\Documents\REV172016\ATW-16241-Site_Bessie-2017-01-104-22016_Cadico.zaragoza.rvt