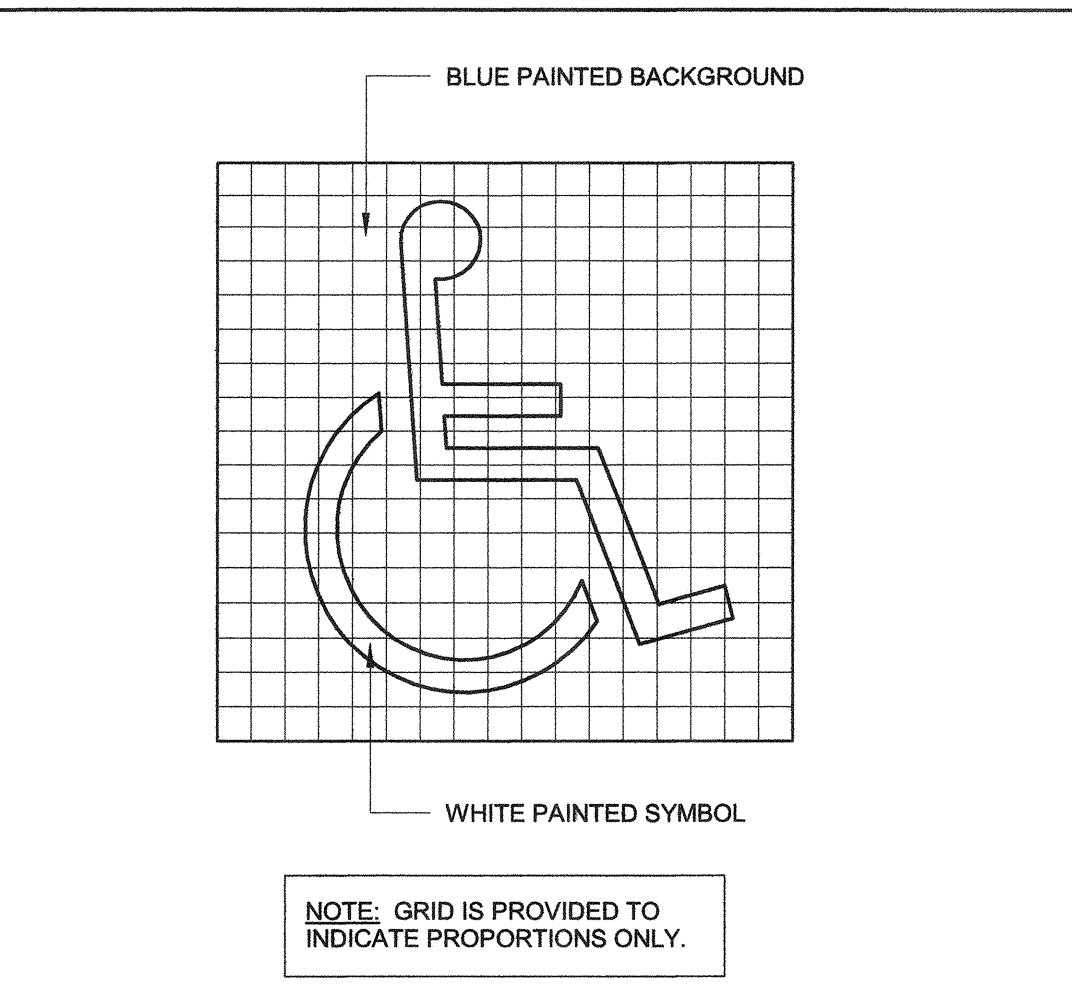
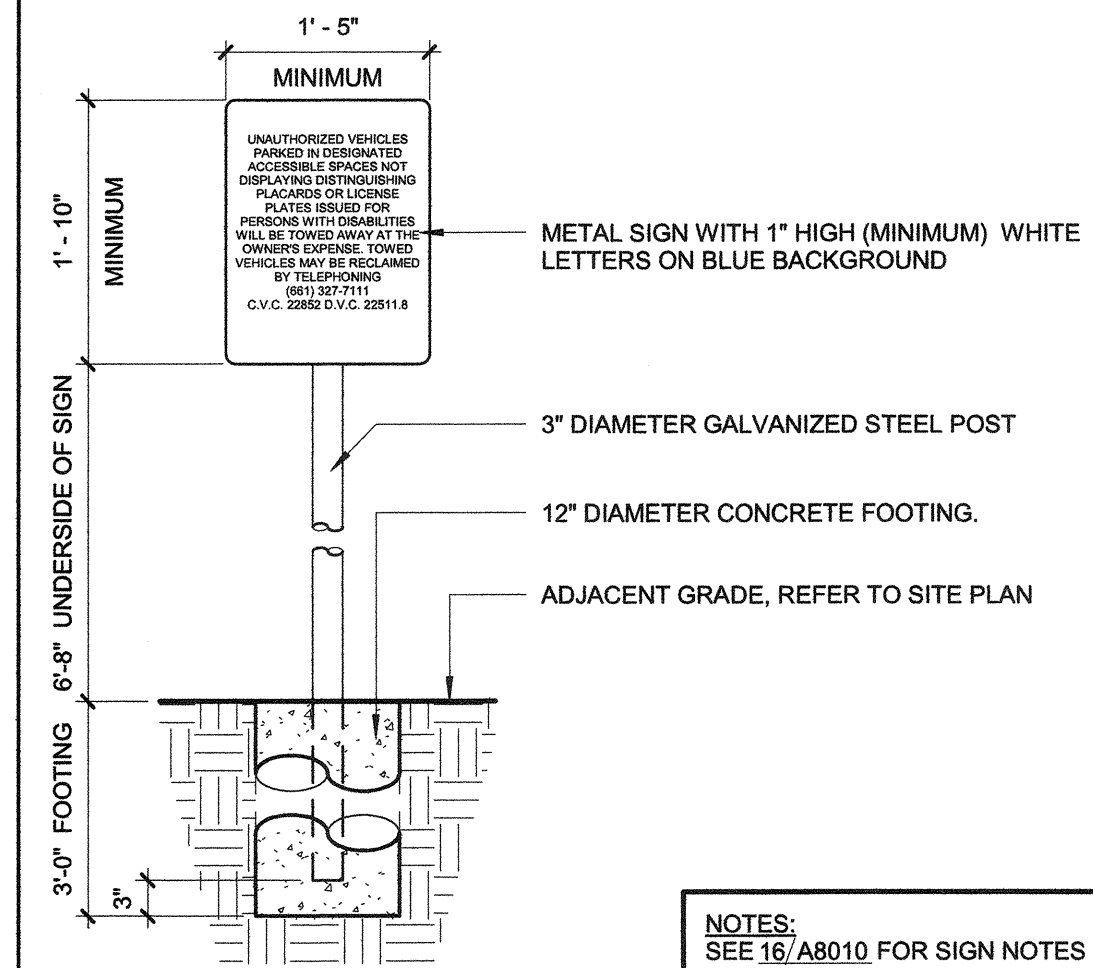


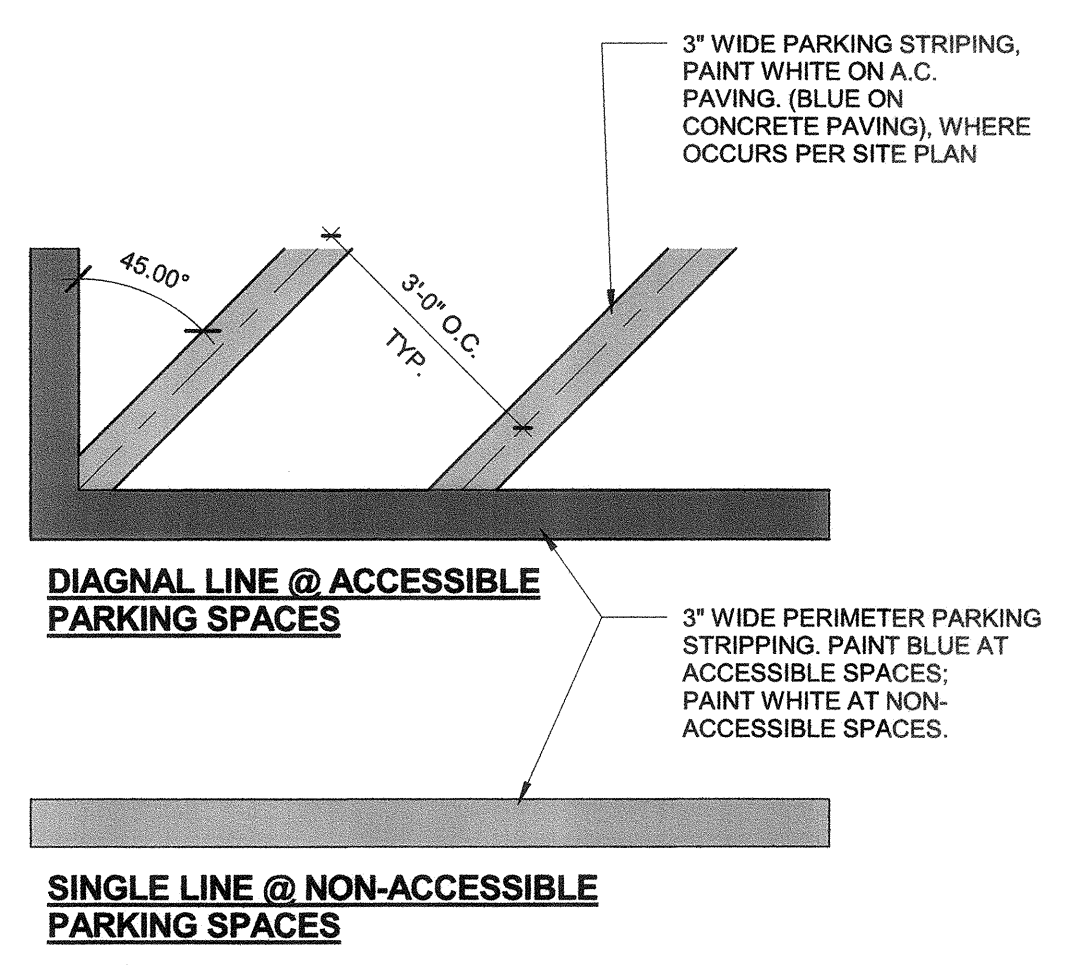
01 ACCESSIBLE SIGNAGE 3/4" = 1'-0"



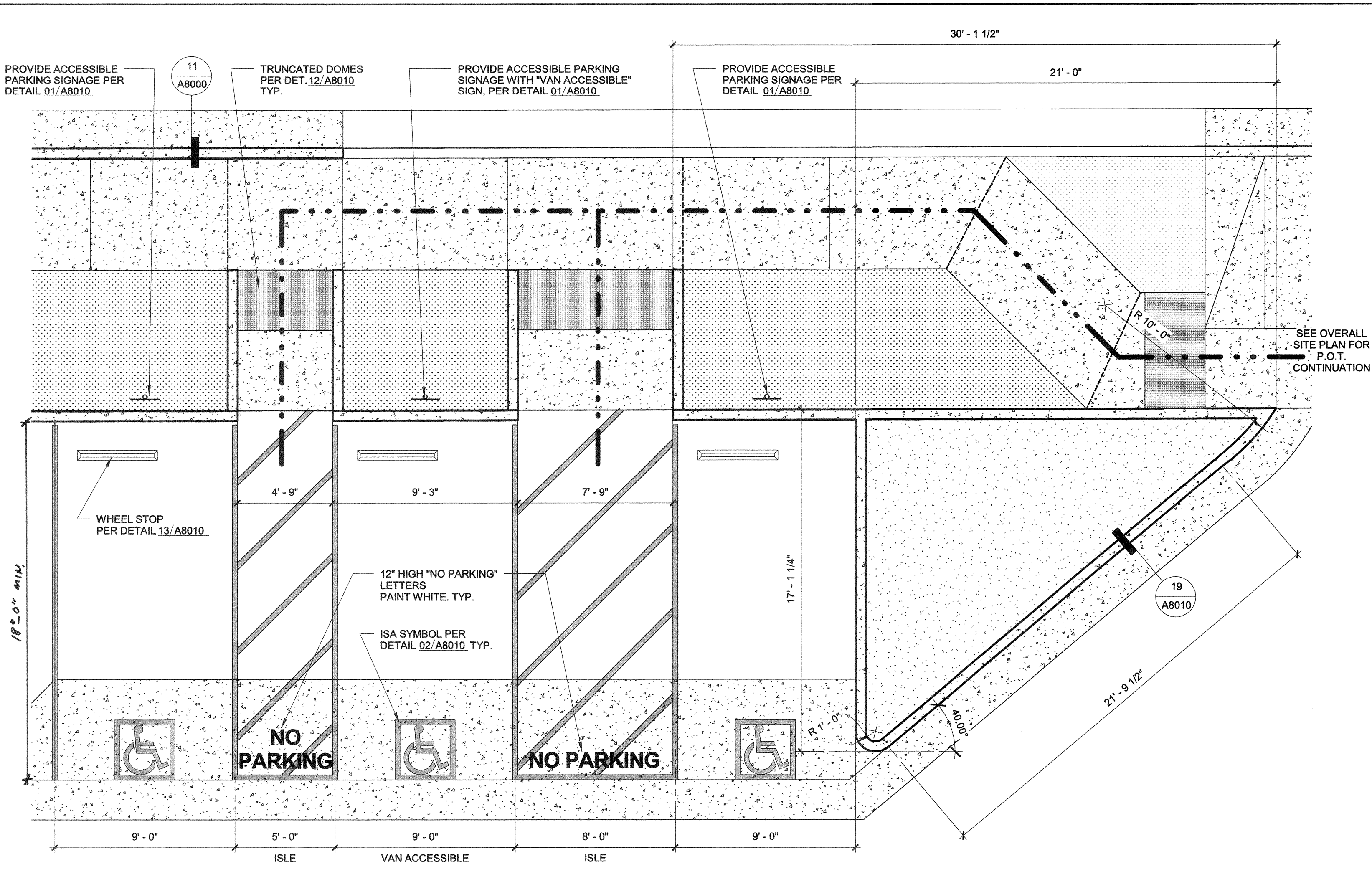
02 ISA SYMBOL 1" = 1'-0"



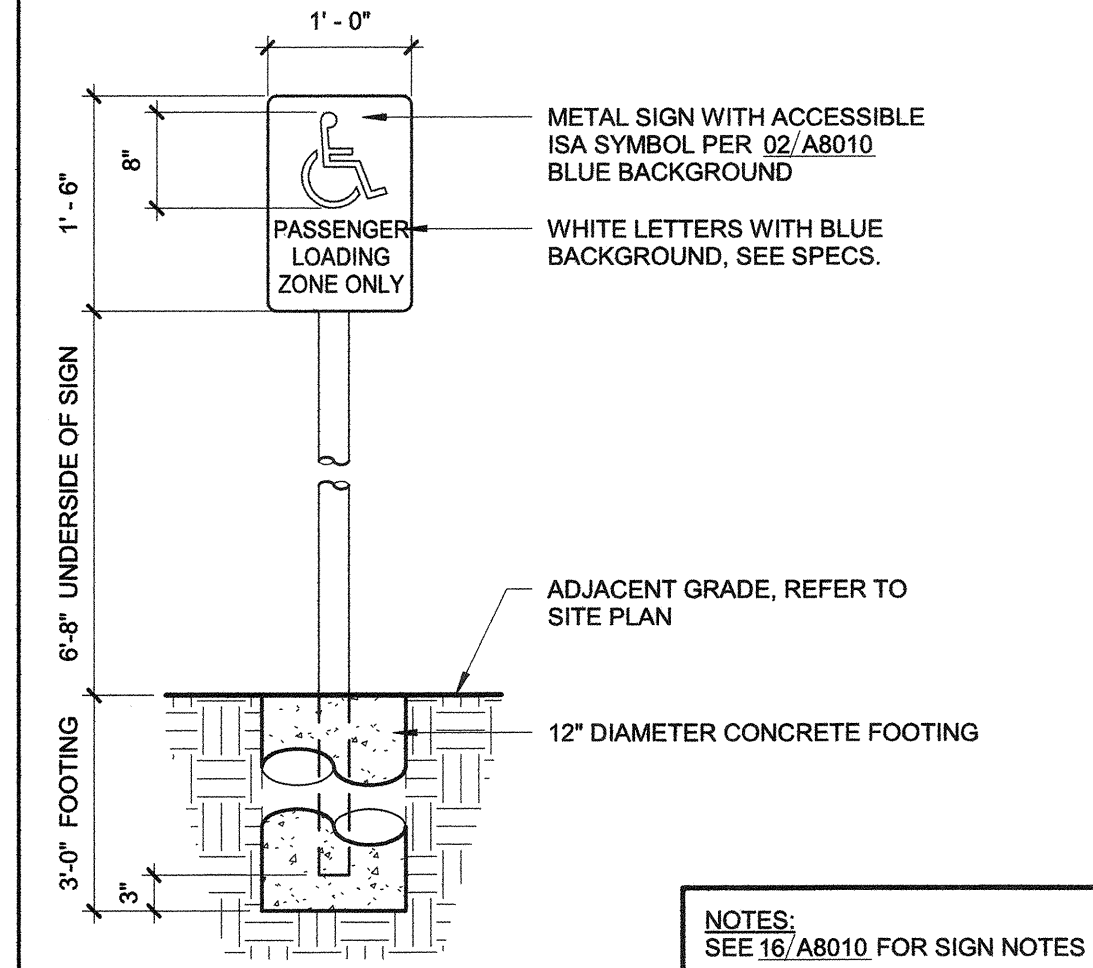
06 PARKING ENTRY SIGN 3/4" = 1'-0"



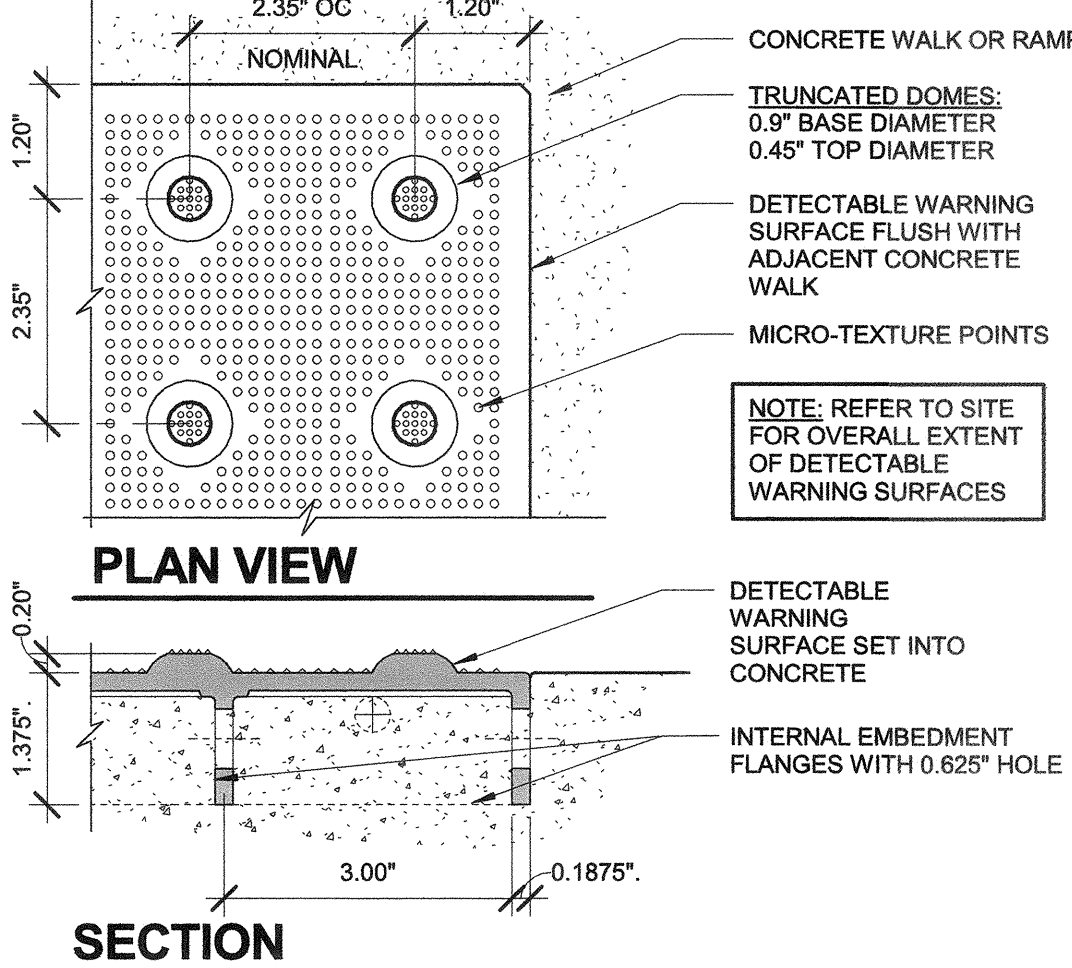
07 PARKING STRIPE 1" = 1'-0"



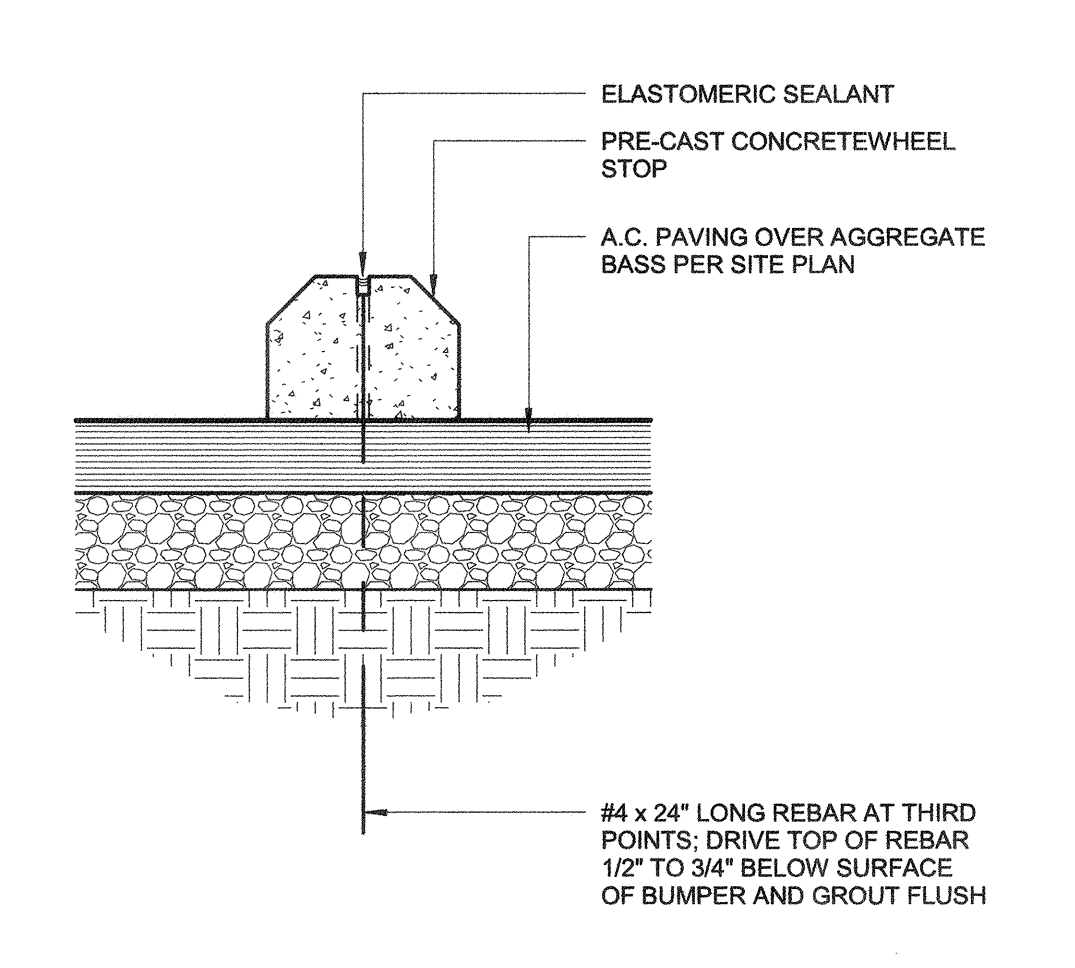
08 ACCESSIBLE PARKING 1/4" = 1'-0"



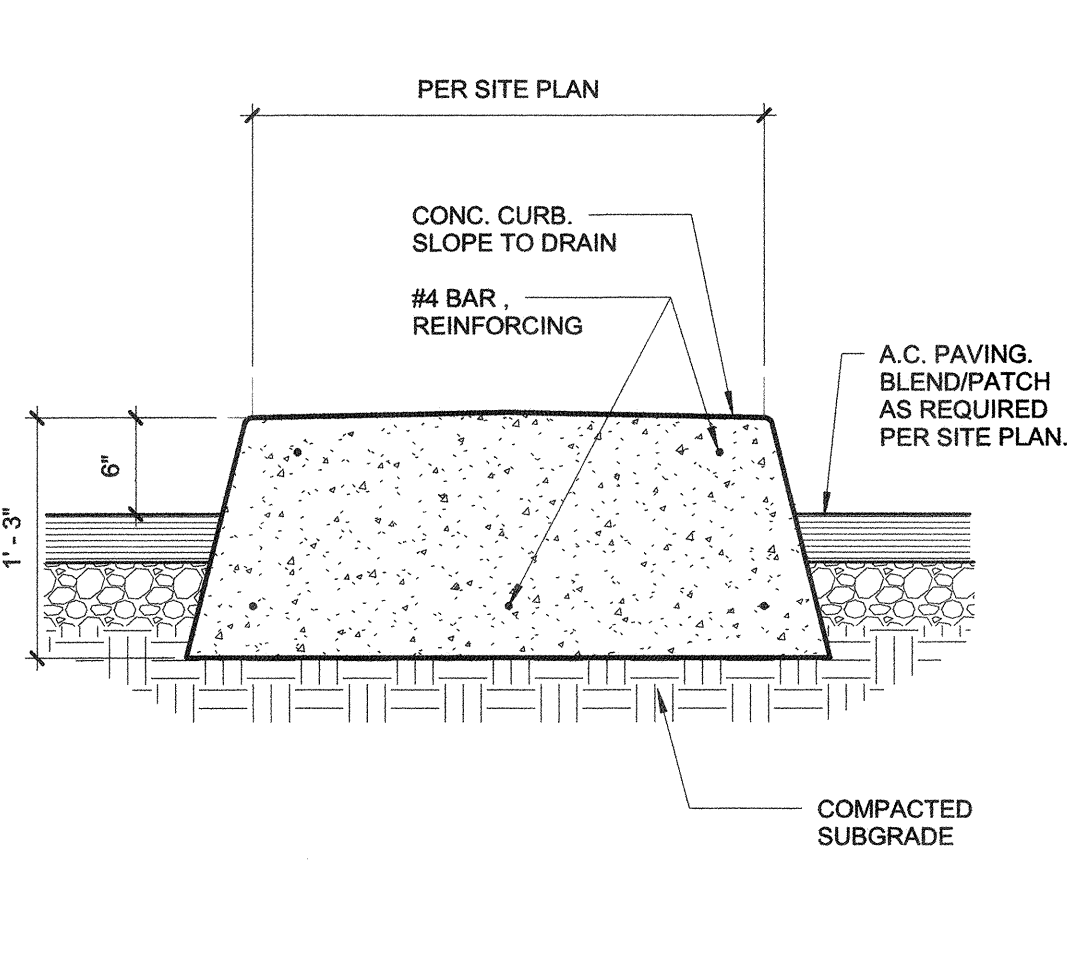
11 LOADING ZONE SIGN 3/4" = 1'-0"



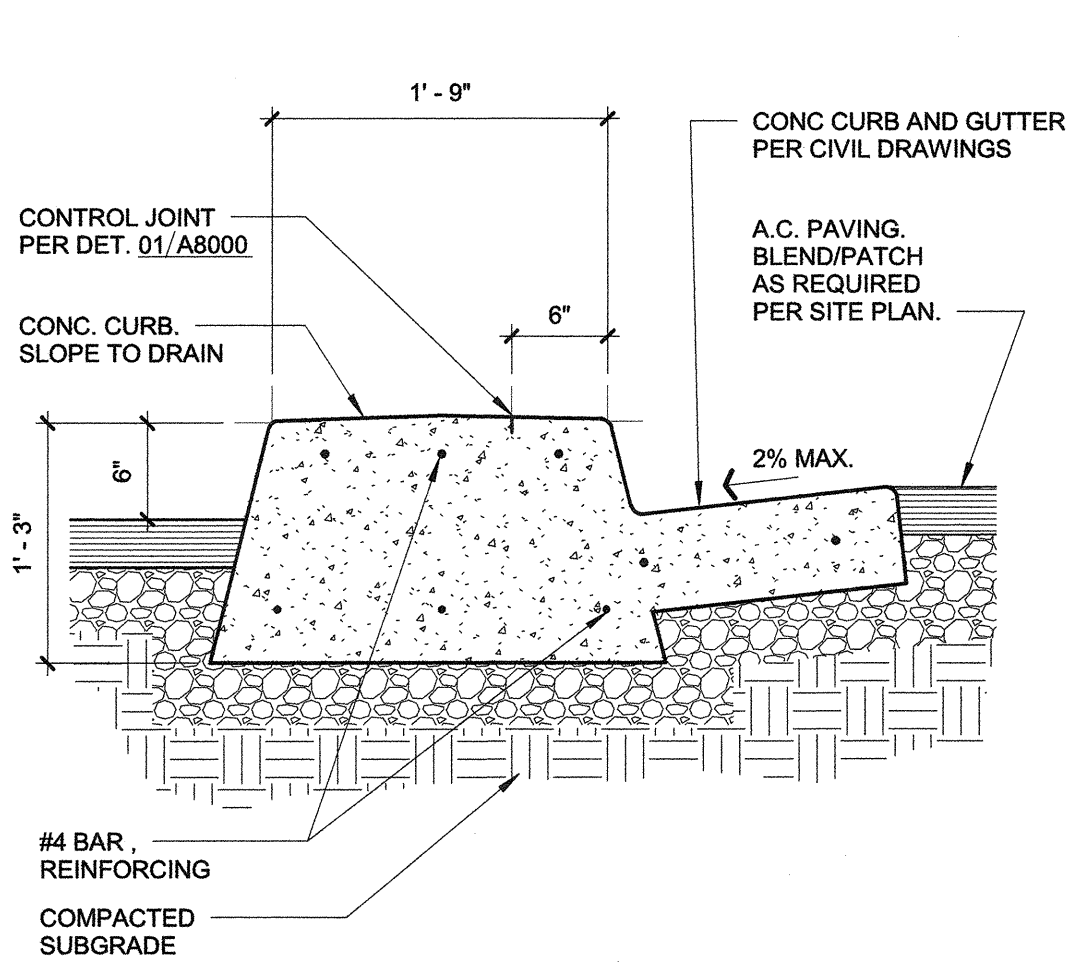
12 TRUNCATED DOMES 6" = 1'-0"



13 WHEELSTOP 1 1/2" = 1'-0"



14 ISLAND CURB 1" = 1'-0"

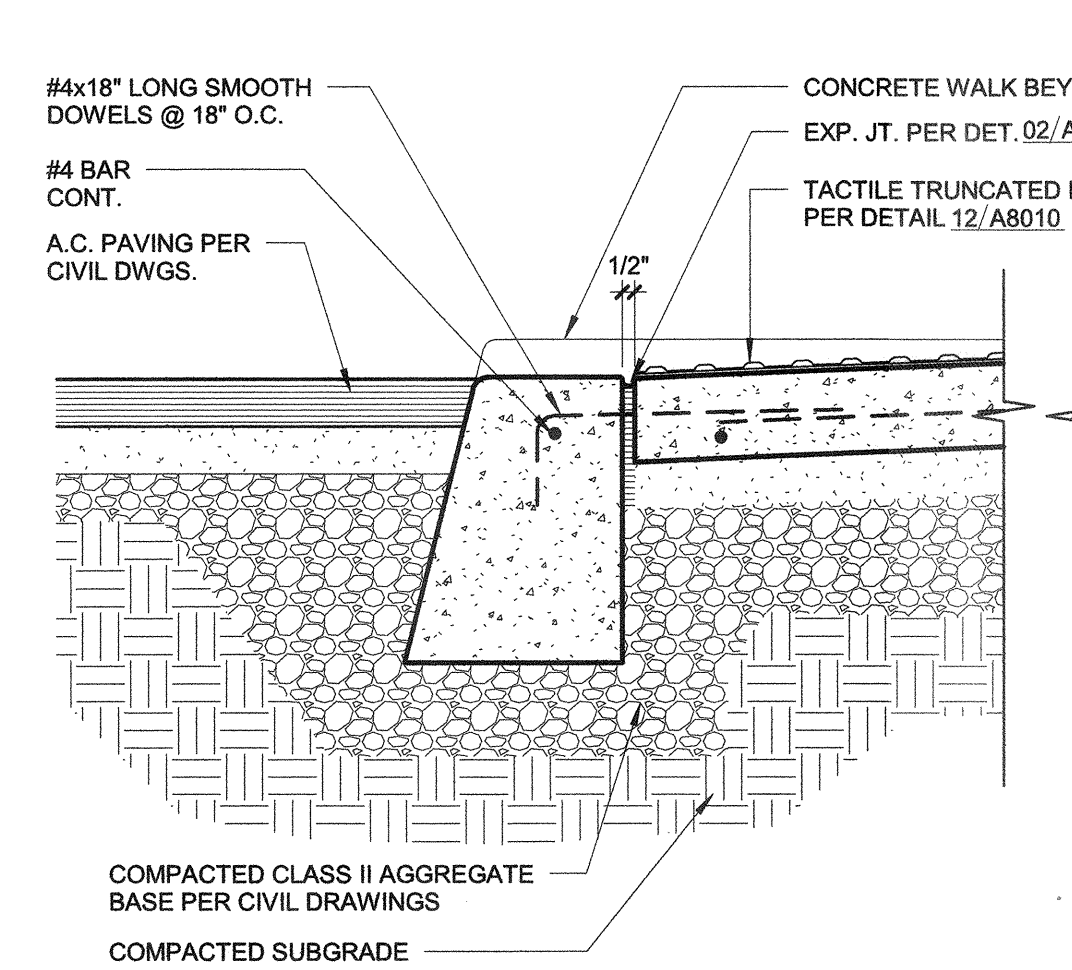


15 ISL. CURB & GUTTER 1" = 1'-0"

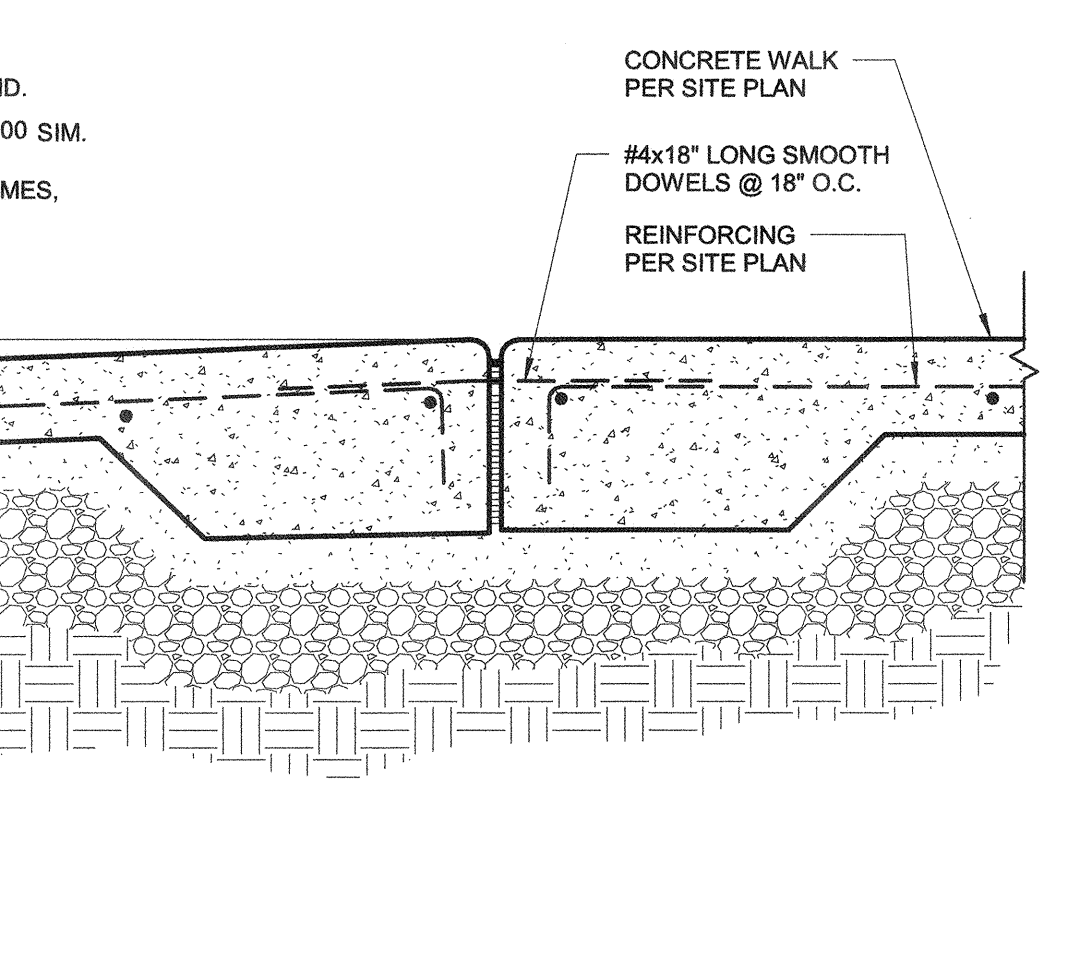
NOTES APPLICABLE TO SIGNAGE DETAILS 1, 6 & 11/A8010

- ALL SIGN SUBSTRATES SHALL BE 1/8" THICK REFLECTORIZED ALUMINUM. LETTERS AND GRAPHICS SHALL BE SILK SCREENED REFLECTORIZED ALUMINUM.
- ALL SIGNS SHALL BE MOUNTED WITH TAMPER PROOF SCREWS TO GALVANIZED 2" DIAMETER STANDARD STEEL PIPE. PIPE SHALL BE SHOP PRIMED AND PAINTED WITH TWO (2) COATS OF EXTERIOR ENAMEL.
- IN LIEU OF TAMPER PROOF SCREWS, SPOT WELDING END OF BOLT AFTER NUT INSTALLATION IS ACCEPTABLE.
- PROVIDE 3/4" RADIUS AT ALL SIGN CORNERS.
- SIGNS SHALL BE MOUNTED IN A CONSPICUOUS LOCATION.
- PRINTING MUST BE PERMANENTLY AFFIXED.

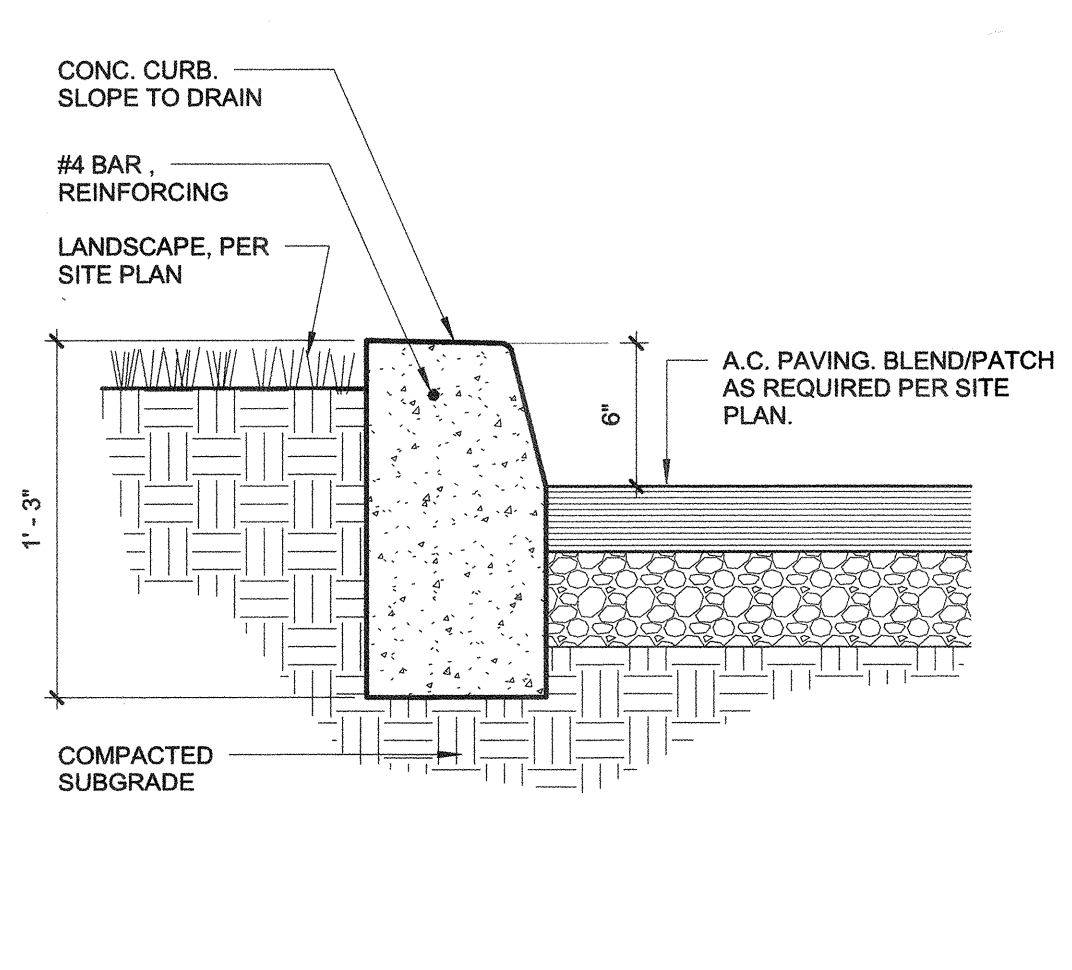
16 SIGNAGE NOTES 1/8" = 1'-0"



17 PASSENGER DROP-OFF 1 1/2" = 1'-0"

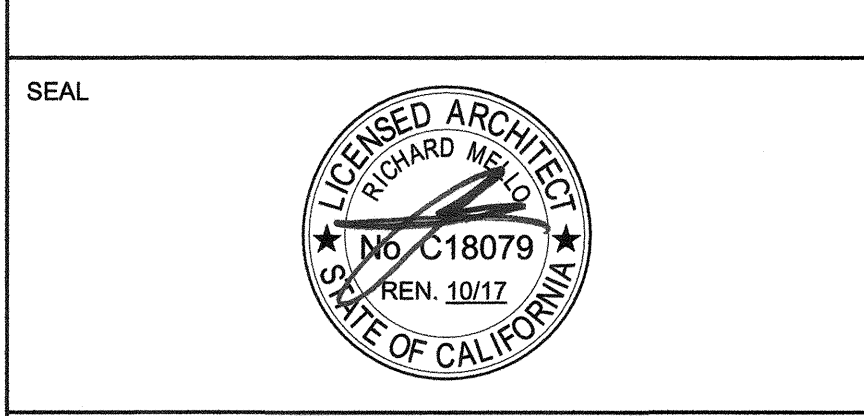


19 CONCRETE CURB 1 1/2" = 1'-0"



20 DIRECTN'L ARROWS 1/4" = 1'-0"

PRIME CONSULTANT
IBI ARCHITECTURE PLANNING
 San Luis Obispo
 4119 Broad Street, Suite 210
 San Luis Obispo, CA 93401
 805.546.0433 fax: 805.546.0504
 ibigroup.com



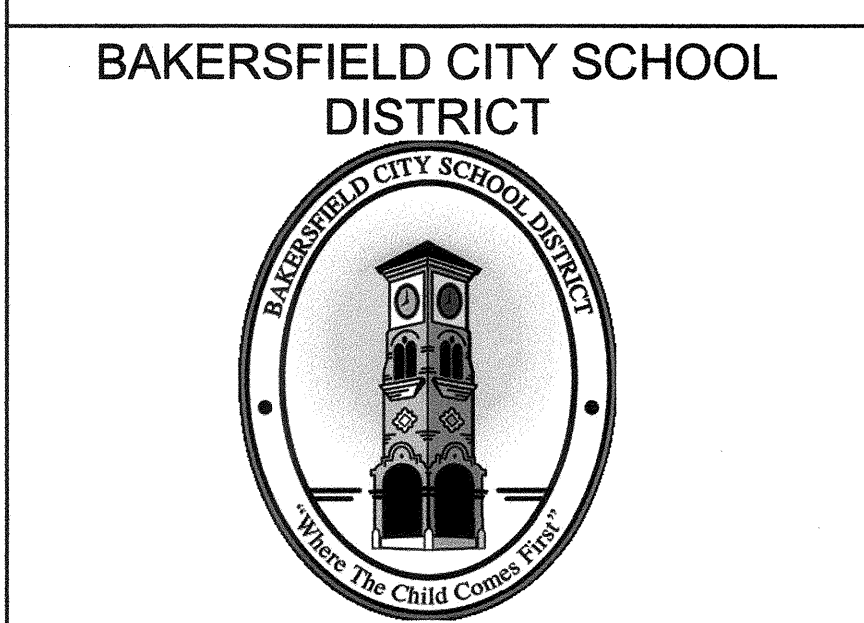
COPYRIGHT:
 Any reproduction or distribution for any purpose other than authorized by IBI Group is forbidden.
 COPYRIGHT 2017 IBI GROUP

REVISIONS			
NO.	DATE	APPRD.	DESCRIPTION

CONSULTANT

AGENCY INFORMATION:
 AGENCY TRACKING NO. 63321-241
 FILE NO. 15-6
 IDENTIFICATION STAMP
 DIV. OF THE STATE ARCHITECT
 OFFICE OF REGULATION SERVICES
03-118980
 Ag. No. FLS 1255 CA
 DATE OCT 25 2017

BAKERSFIELD CITY SCHOOL DISTRICT
BESSIE OWENS INTERMEDIATE RELOCATABLES A101 - A106
 815 EUREKA ST. BAKERSFIELD CA, 93305



OPSC or OSHPD PROJ. NO.:
 PROJECT NO.: 16241.000
 DRAWN BY: rRr
 CHKD BY: RM
 ISSUE DATE: 08/29/2017
 SHEET TITLE

DETAILS

SHEET NUMBER

A8010

CONSTRUCTION DOCUMENTS
 PLOT DATE: 8/25/2017 8:26:12 AM
 C:\Users\Carlos.Zamagosa\Documents\REV172016\A101-A106\A101-A106.dwg
 Site_Base.rvt 10/16/2016 Carlos.Zamagosa.rvt