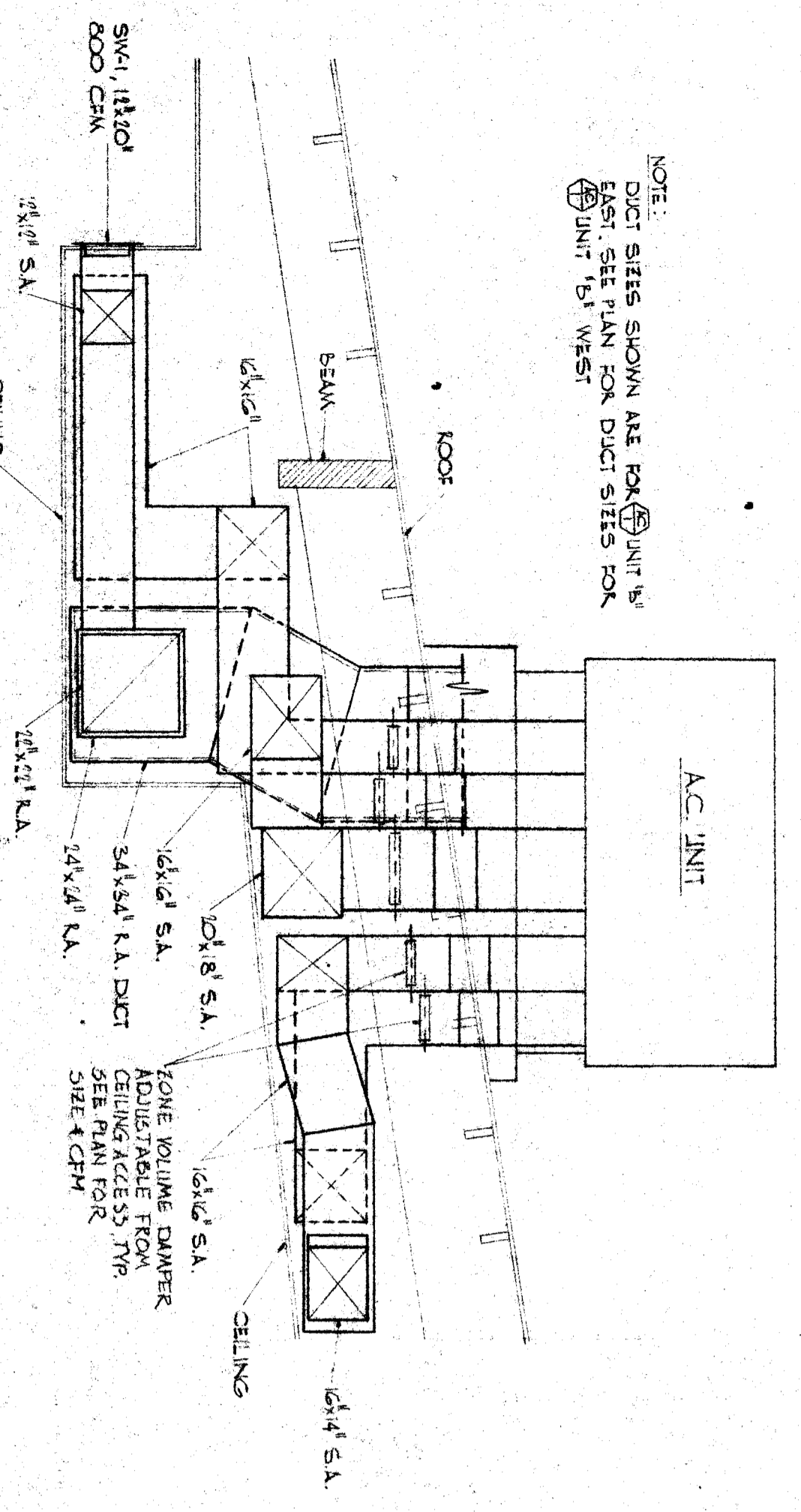
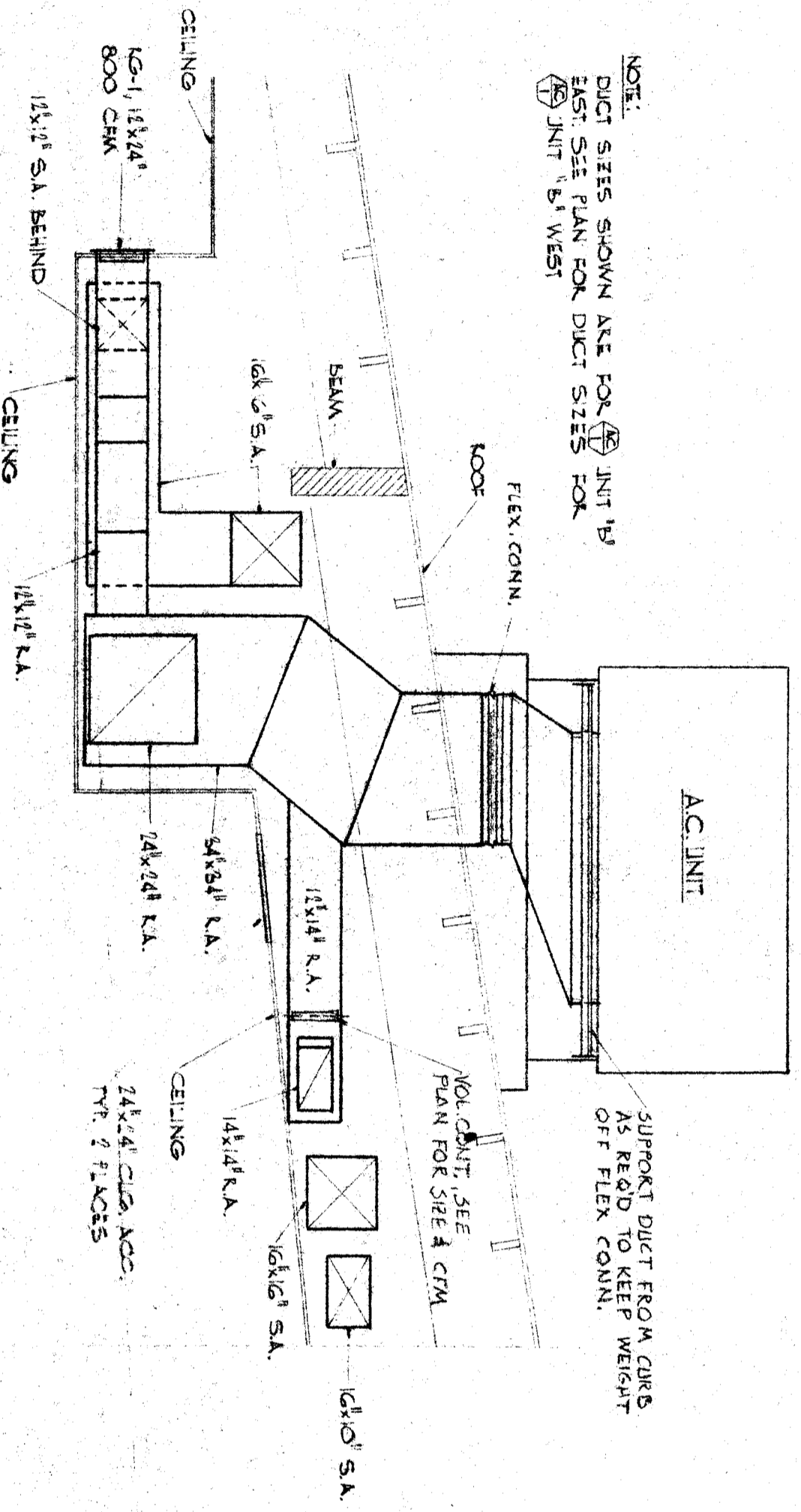


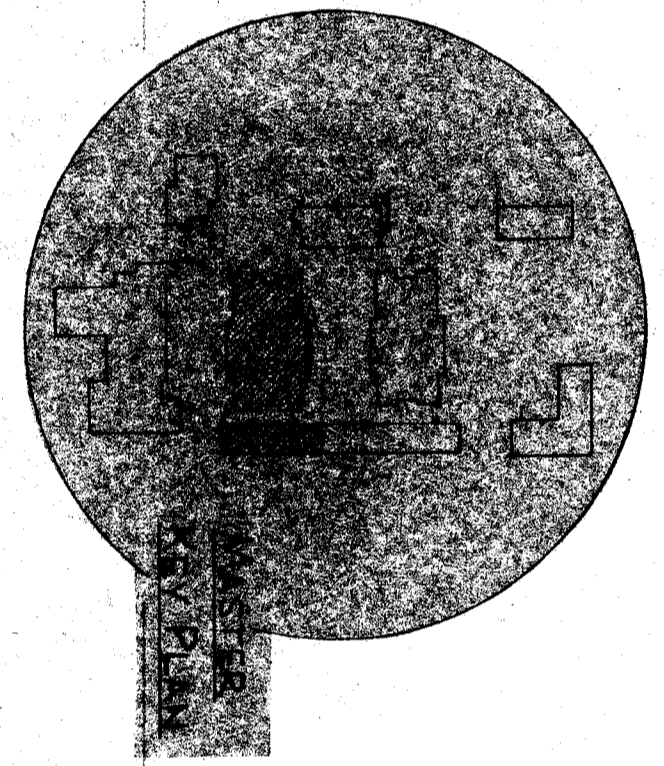
AC FLOOR PLAN (ACADEMIC UNIT 'B')



SECTION (SECTION @ SIMILAR)

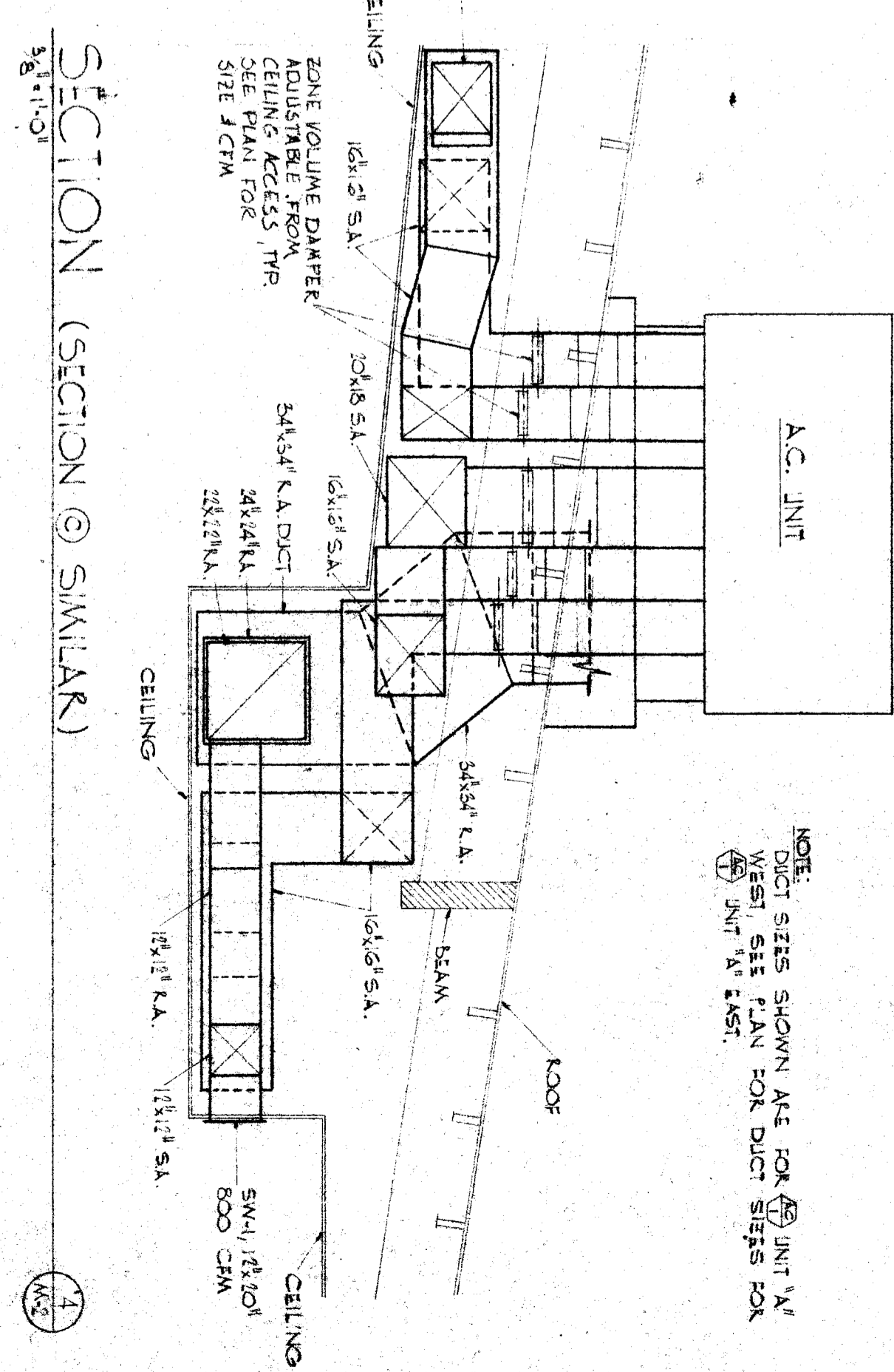
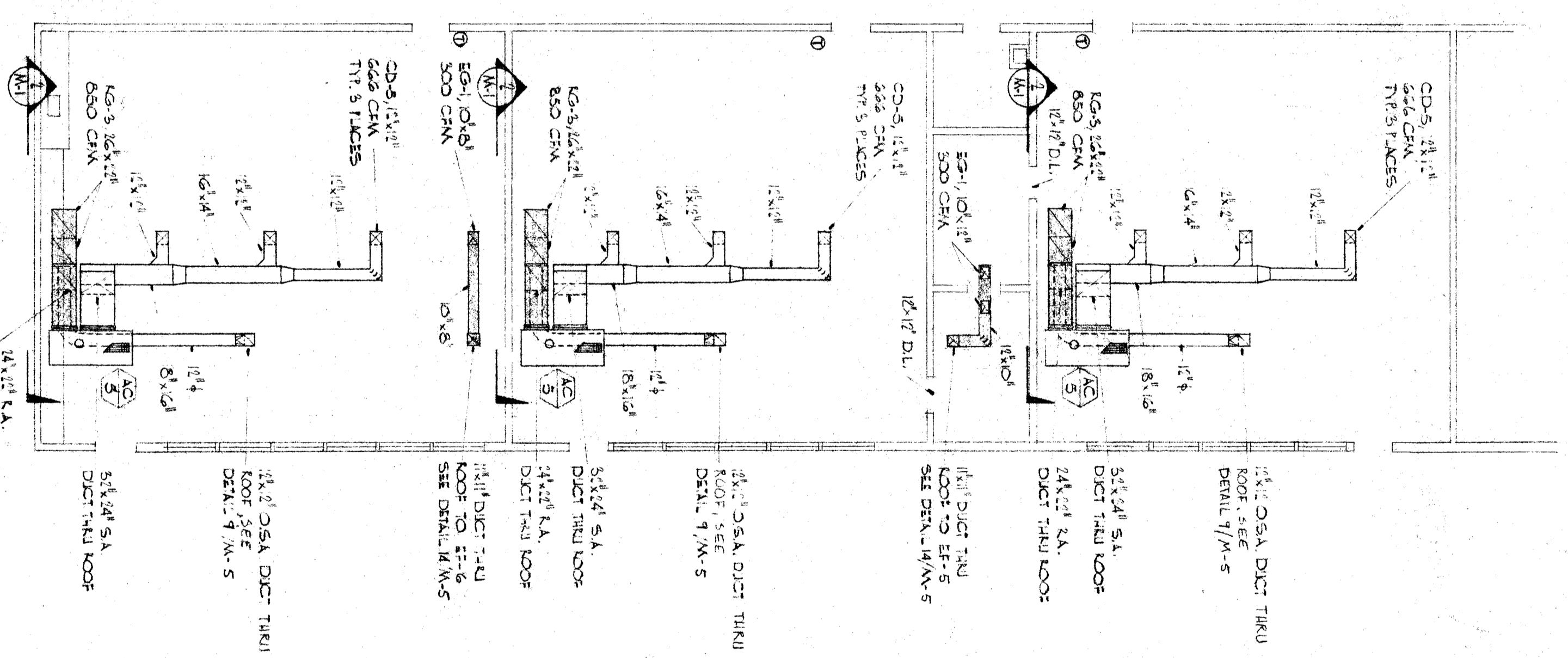


SECTION (SECTION @ SIMILAR)

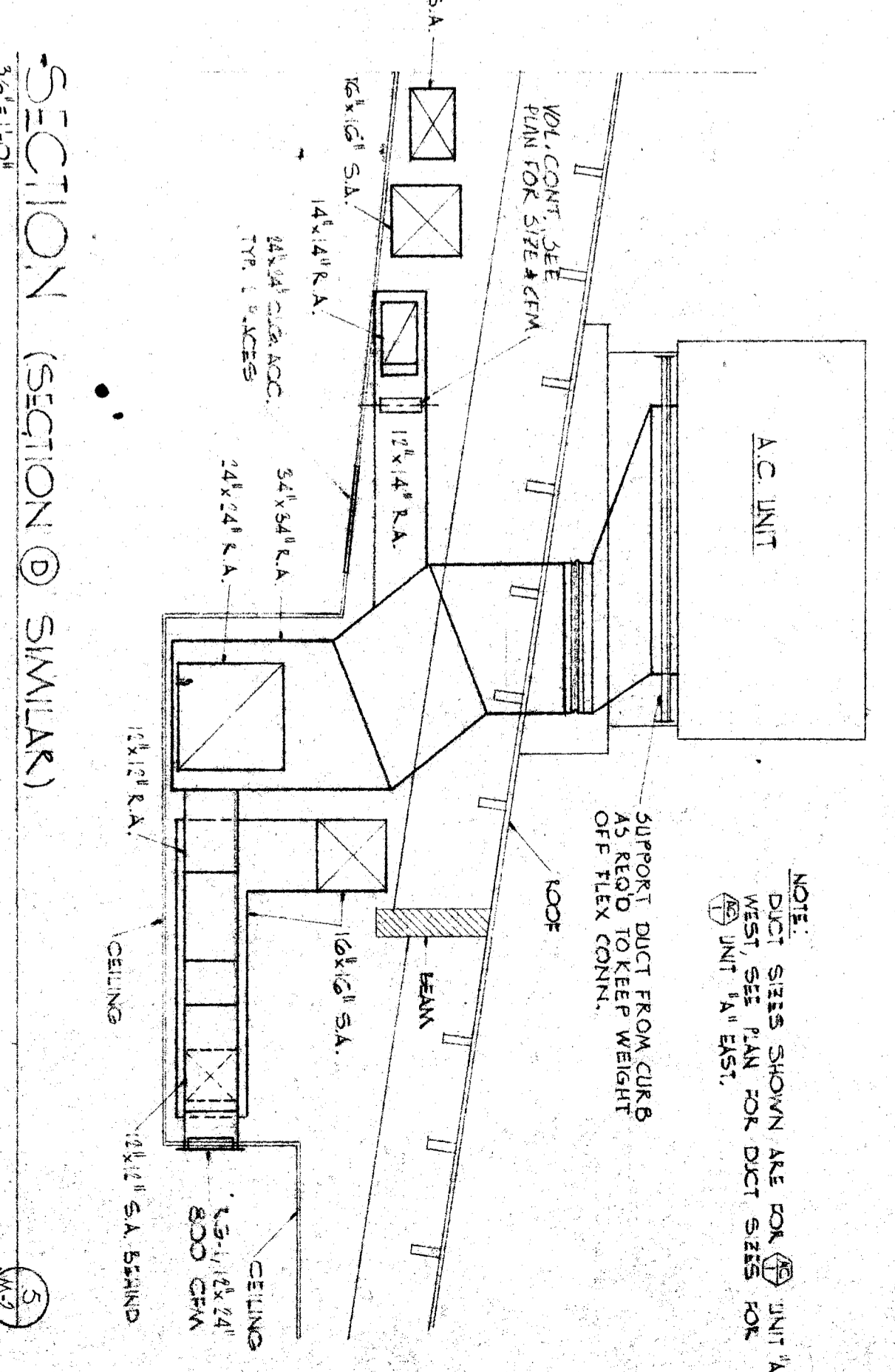


GENERAL NOTES:

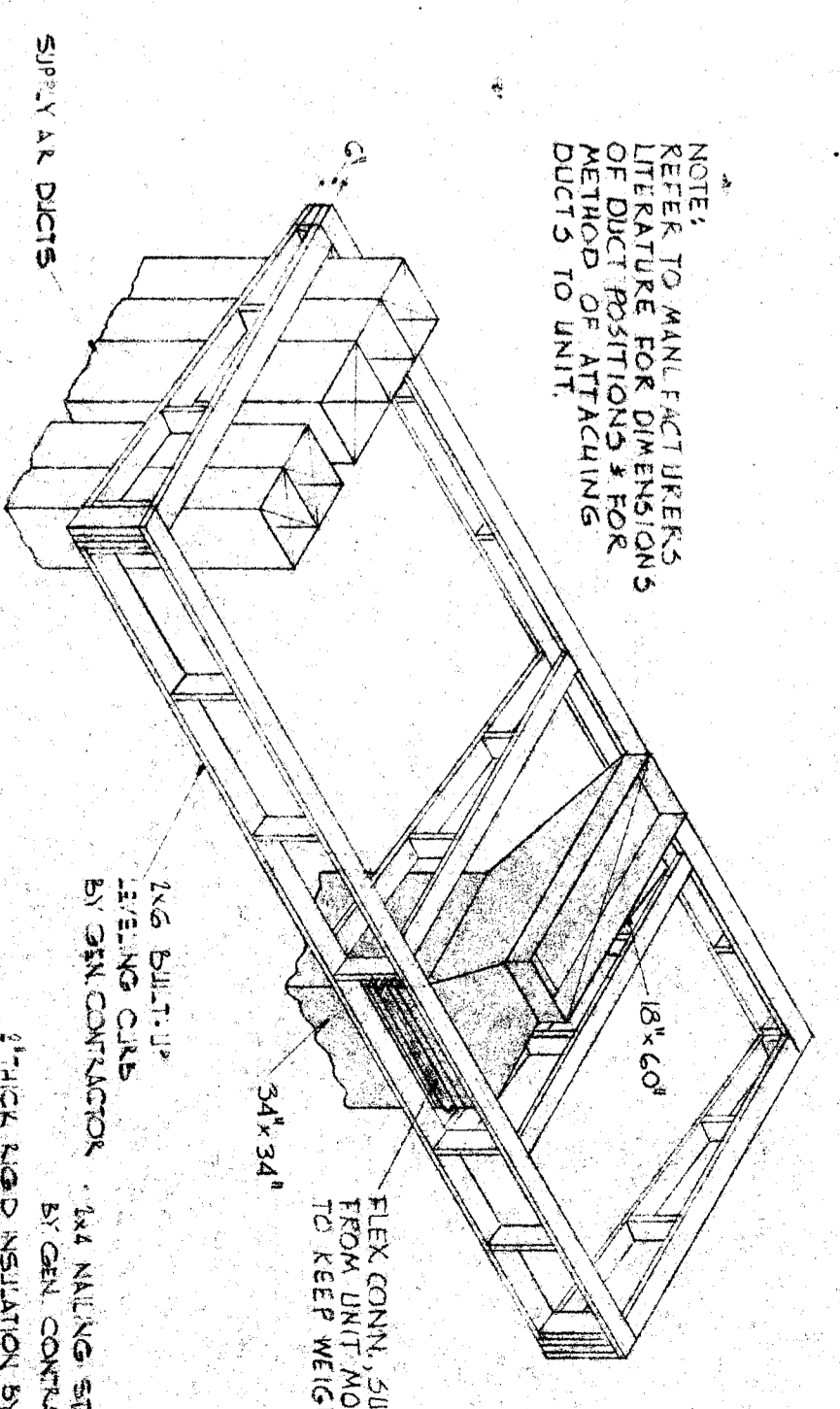
1. RETURN AIR DUCTS & EXHAUST DUCT SHALL BE UNID. W/ AIR FLOW.
2. RETURN AIR DUCTS & EXHAUST DUCT SHALL BE UNID. W/ AIR FLOW.
3. RETURN AIR DUCT & EXHAUST DUCT SHALL BE UNID. W/ AIR FLOW.
4. RETURN AIR DUCT & EXHAUST DUCT SHALL BE UNID. W/ AIR FLOW.
5. RETURN AIR DUCT & EXHAUST DUCT SHALL BE UNID. W/ AIR FLOW.
6. RETURN AIR DUCT & EXHAUST DUCT SHALL BE UNID. W/ AIR FLOW.



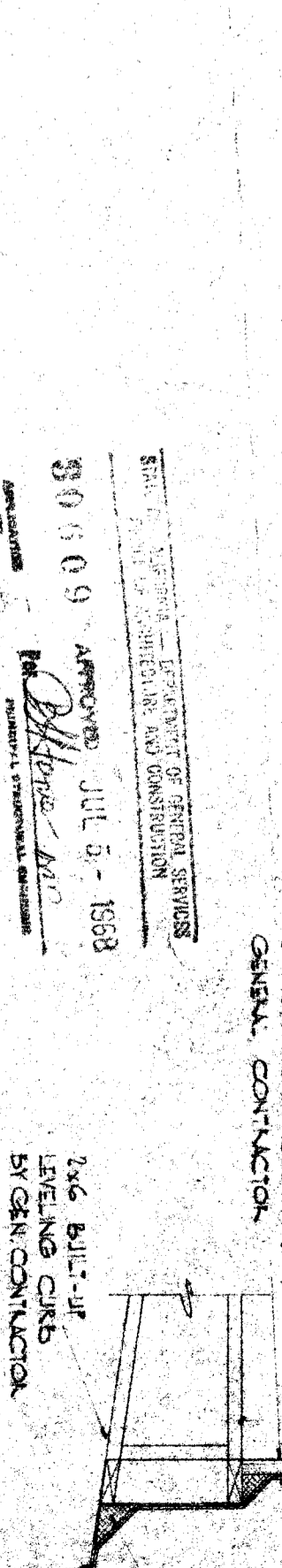
SECTION (SECTION @ SIMILAR)



SECTION (SECTION @ SIMILAR)



MOUNTING CURB DETAIL (TYPICAL AC-1)



SECTION (SECTION @ SIMILAR)

CHECK AND VERIFY ALL DIMENSIONS AND CONDITIONS AT JOB SITE BEFORE PROCEEDING WITH THE WORK. REPORT ANY DISCREPANCIES TO THE ARCHITECT.		DRAWING NO. 1000 DATE: APR 13 1998	
REVISIONS NO. BY DATE 1 AS BUILT 2 APPROVAL 3 CHANGE ORDER 4 CLARIFICATION	STATE OF CALIFORNIA STATE FIRE MARSHAL APPROVED UNDER STATUTES OF CALIFORNIA BY: [Signature] JUL 5 1998	BOARD APPROVED BY SUPERVISOR OF STATE ARCHITECT DATE: JUL 8 1998	APPROVED - DATE [Signature] [Signature] [Signature]
ERNEST L. MCGOY AIA ARCHITECT 2111 E STREET BAKERSFIELD CALIFORNIA 93302		ELEANOR HARRELL CHIPMAN JUNIOR HIGH SCHOOL BAKERSFIELD CITY SCHOOL DISTRICT BAKERSFIELD, CALIFORNIA	
A.C. FLOOR PLAN - ACADEMIC UNIT 'B'		SHEET 073 OF 7 SHEETS	