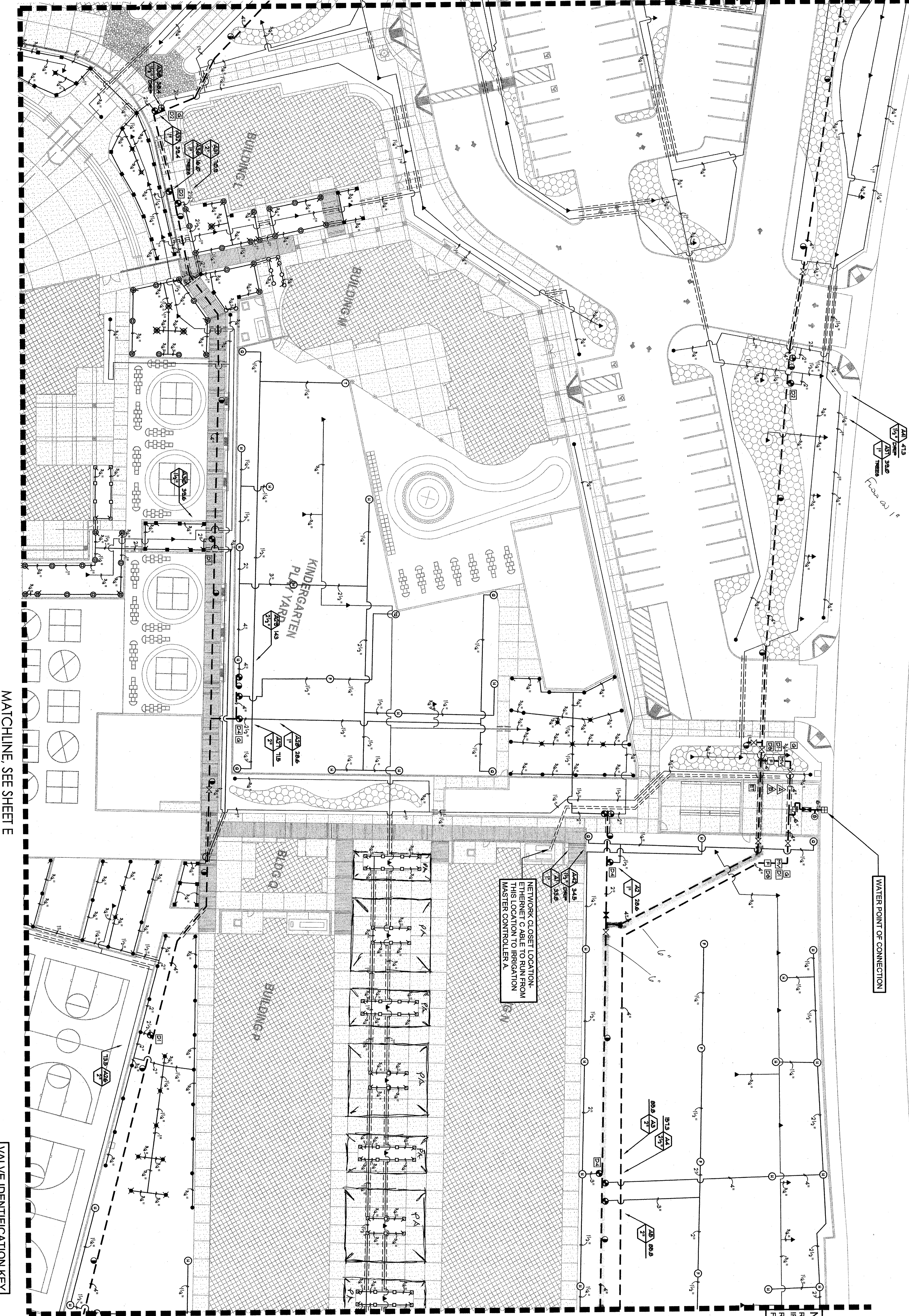


MATCHLINE, SEE SHEET A



MATCHLINE, SEE SHEET E

HIGHLAND KNOLLS DRIVE

**CONTROLLER NOTES**

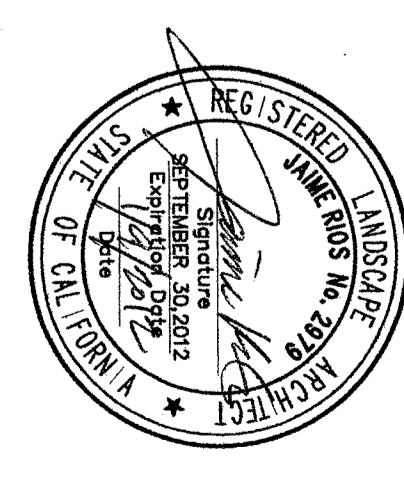
- CONTROLLER A OPERATES THE ELEMENTARY SCHOOL IRRIGATION CONTROL VALVES.
- CONTROLLER B OPERATES THE MIDDLE SCHOOL IRRIGATION CONTROL VALVES.

WATER POINT OF CONNECTION

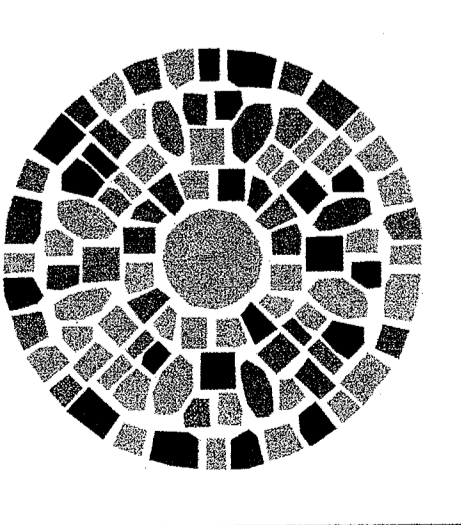
NETWORK CLOSET LOCATION - ETHERNET CABLE TO RUN FROM THIS LOCATION TO IRRIGATION MASTER CONTROLLER A

**NOTES**

REFER TO SHEET L10 FOR IRRIGATION LEGEND AND NOTES. REFER TO SHEET L11, L12 & L13 FOR IRRIGATION DETAILS.



**RIO'S DESIGN STUDIO**  
 LANDSCAPE ARCHITECTURE & DESIGN  
 3805 OAK VISTA AVENUE  
 BAKERSFIELD, CALIFORNIA 93309  
 P: 661.833.9259  
 F: 661.837.5284



**ORDIZ MELBY ARCHITECTS, INC.**  
 5900 WING AVENUE SUITE 200  
 BAKERSFIELD, CALIFORNIA 93309  
 TELEPHONE (661) 832-2268  
 FACSIMILE (661) 832-2291



DANN E. GREGG, AIA  
 WILLIAM J. MELBY, AIA  
 ARCHITECT C-14728  
 ARCHITECT C-16855

**IDENTIFICATION STAMP**  
 DIVISION OF STATE ARCHITECT  
 OFFICE OF REGULATION SERVICES  
 A.P.P.L. #02-112027  
 FILE # 154  
 DATE JAN 7, 2012  
 P.M. #023-112

**NEW ELEMENTARY SCHOOL**  
 8901 HIGHLAND KNOLLS DR  
 BAKERSFIELD  
 CALIFORNIA 93306

**NEW MIDDLE SCHOOL**  
 4115 WINDMILL ROAD  
 BAKERSFIELD  
 CALIFORNIA 93306

**BAKERSFIELD CITY SCHOOL DISTRICT**  
 1300 BAKER STREET  
 BAKERSFIELD  
 CALIFORNIA 93305

MARK	DATE	DESCRIPTION
▲		
▲		
▲		
▲		

**JOB NUMBER**  
 200101244

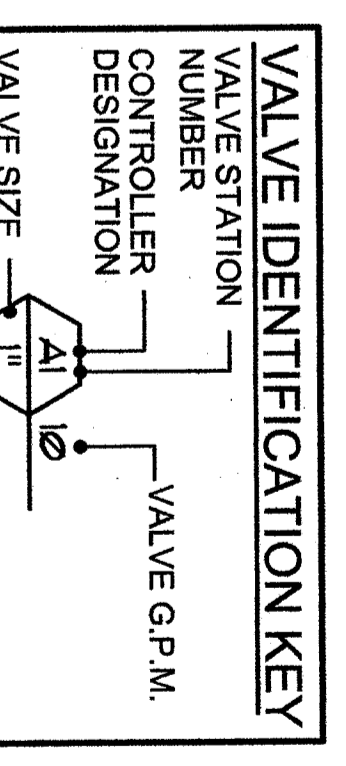
**DATE**  
 200101244

**13444-L10-A IRRIGATION CD.dwg**

**DRAWN BY**  
 GREGG

**CHECK AND VERIFY ALL DIMENSIONS BEFORE REPORTING TO THE ARCHITECT. THE DRAWINGS, SEAL AND SIGNATURE ARE THE PROPERTY OF THE ARCHITECT. CONSULT WITH ARCHITECT, INC. 2010**

**SHEET TITLE**  
 IRRIGATION PLAN



**B**

SCALE: 1"=20'

**IRRIGATION PLAN**

SHEET IDENTIFICATION NUMBER  
**L3**