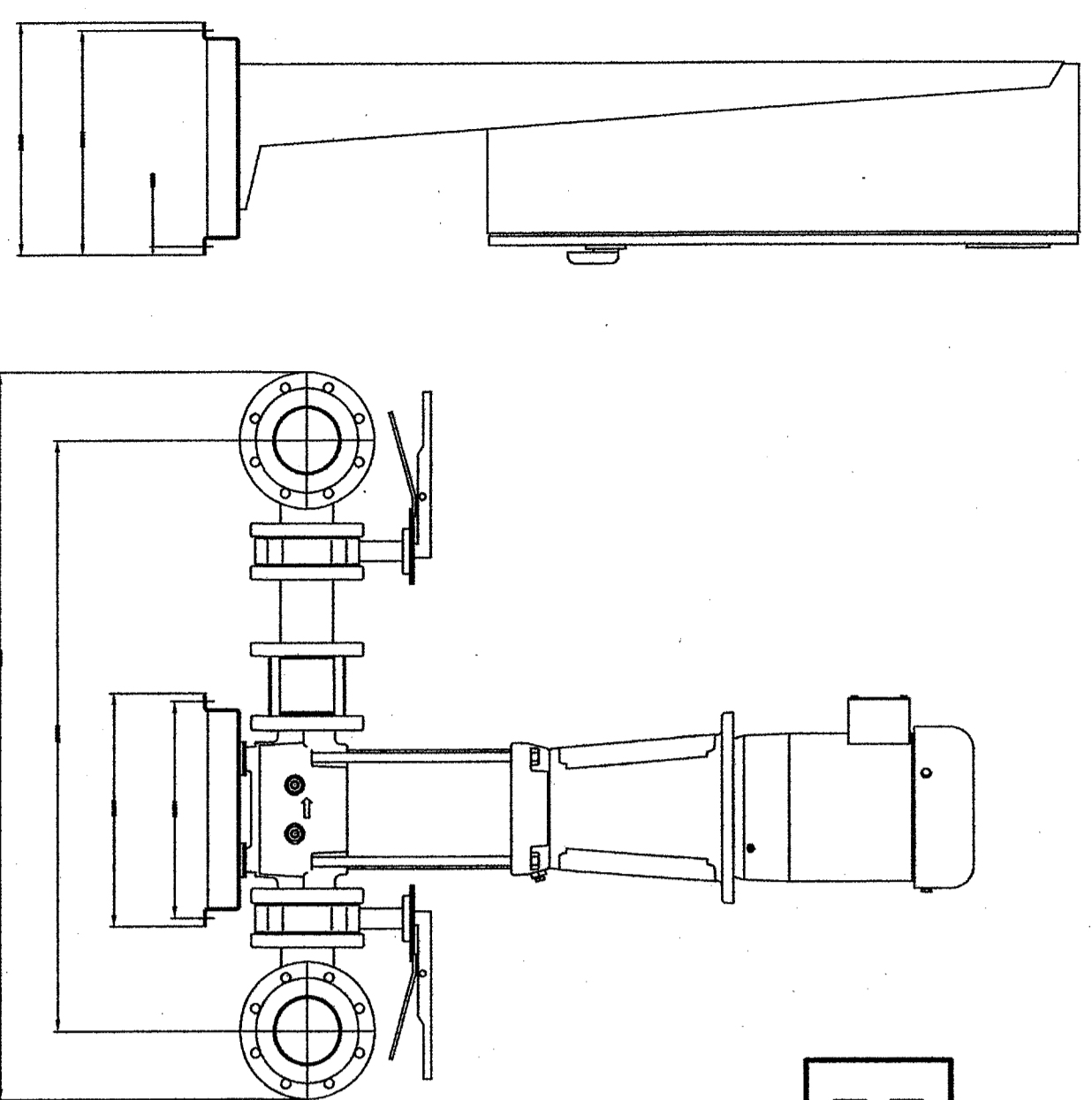
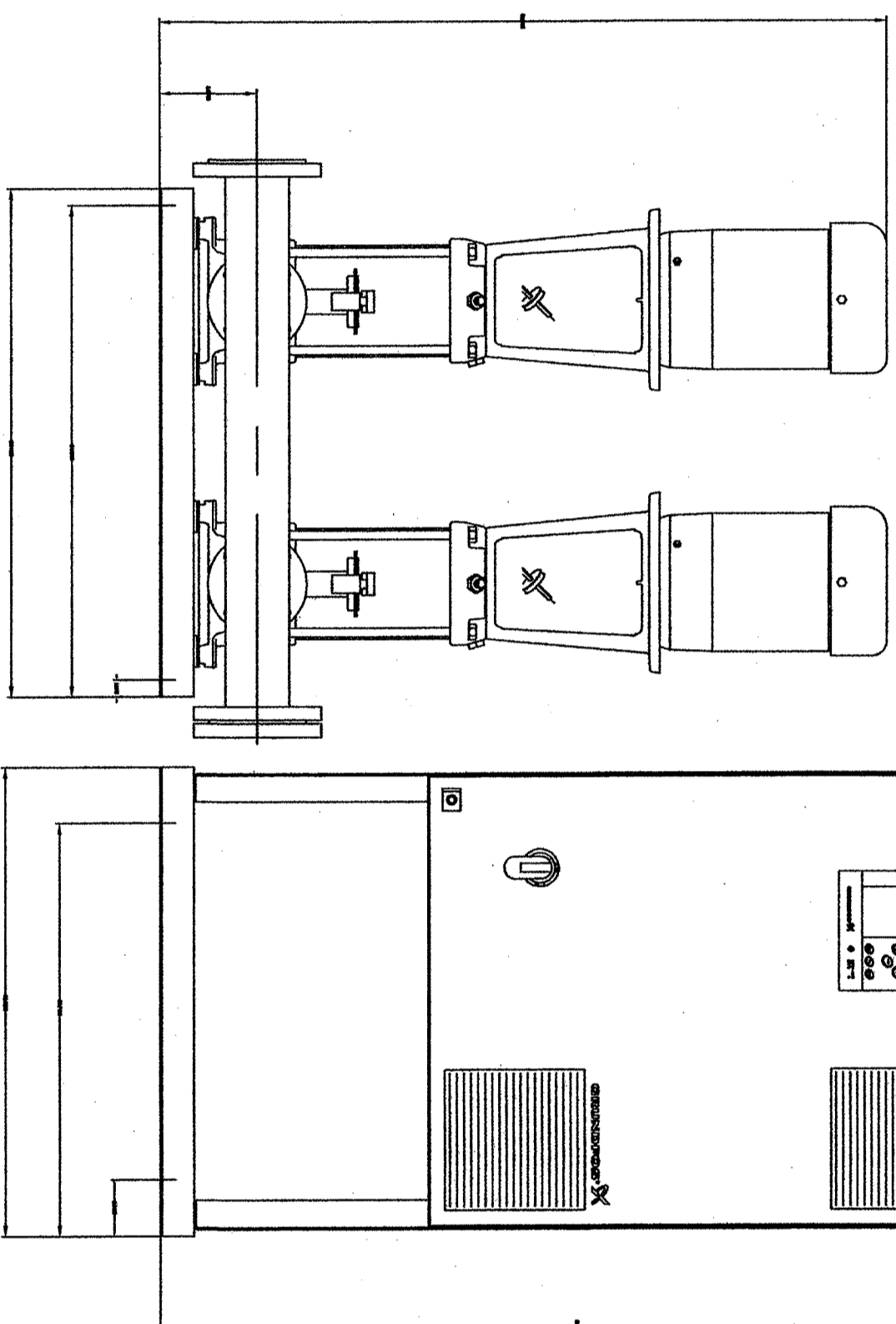
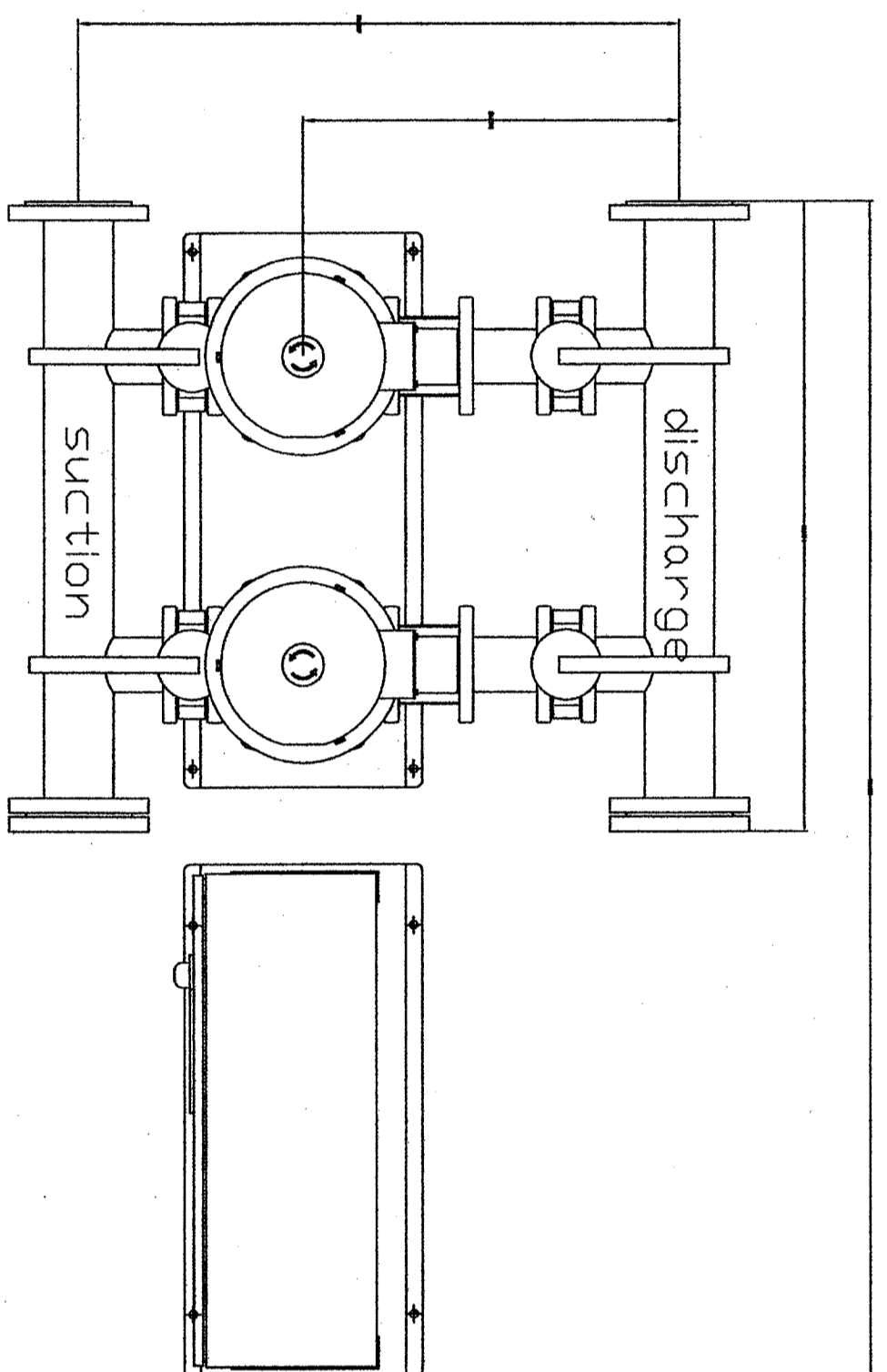


1. Manifolds 4" ANSI Class 150 AISI 316SS Schedule 10s ASTM A312 or Ø114.3mm x2mm
  2. Base/Frame AISI 304SS
  3. Standard system layout: panel right facing suction.
  4. 3" lug style ANSI 150# class butterfly valve
  5. NEMA 3R rated electrical panel
- Note: panel size will vary with options



NOTE:  
NOT FOR DSA REVIEW



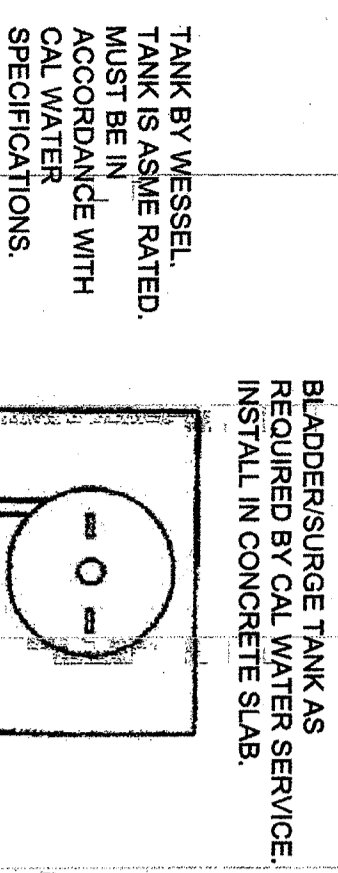
Boosterp00 ModelMPC-F 2CR32-4 15hp  
Power: 460/3/60  
Job: 150011244  
Dwg No: 2-25-05  
Rev: 0  
Date: 05  
Designer: TS  
Page: 1 of 1

Notes:  
Dimensions are ± 0.5"  
Not for construction use.  
All dimensions subject to change without notice.

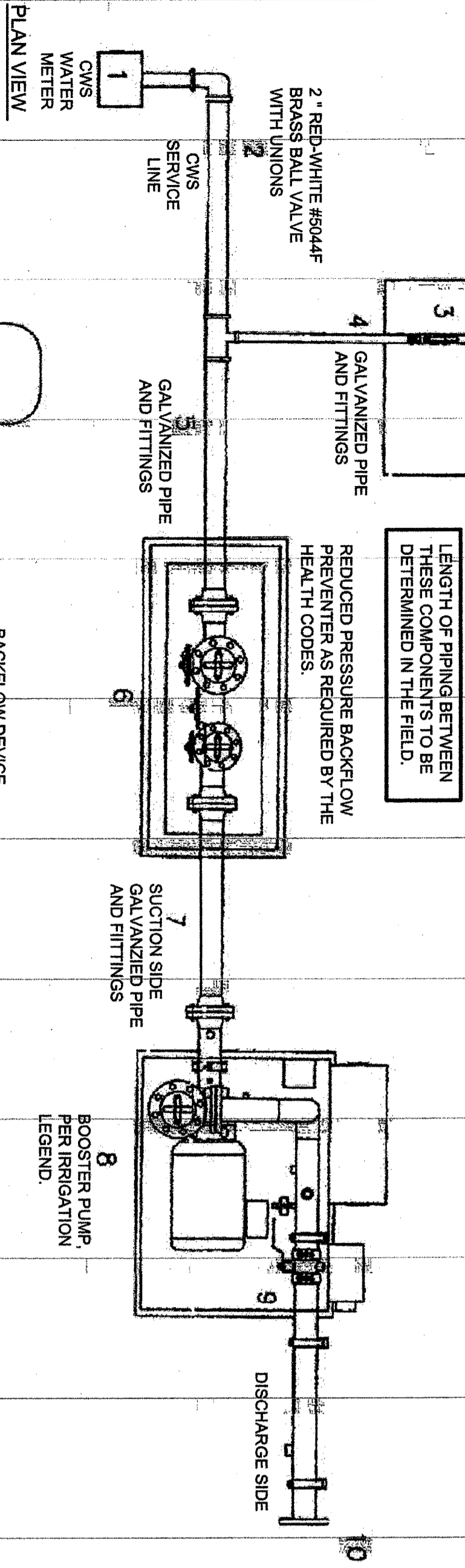


### A BOOSTER PUMP

SCALE: NTS

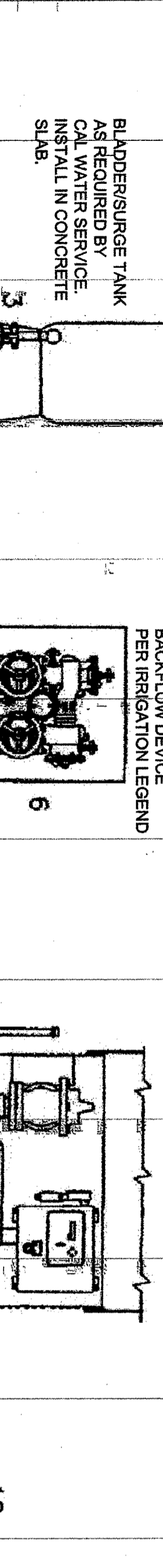


BLADDER/SURGE TANK AS REQUIRED BY CAL WATER SERVICE. INSTALL IN CONCRETE SLAB.

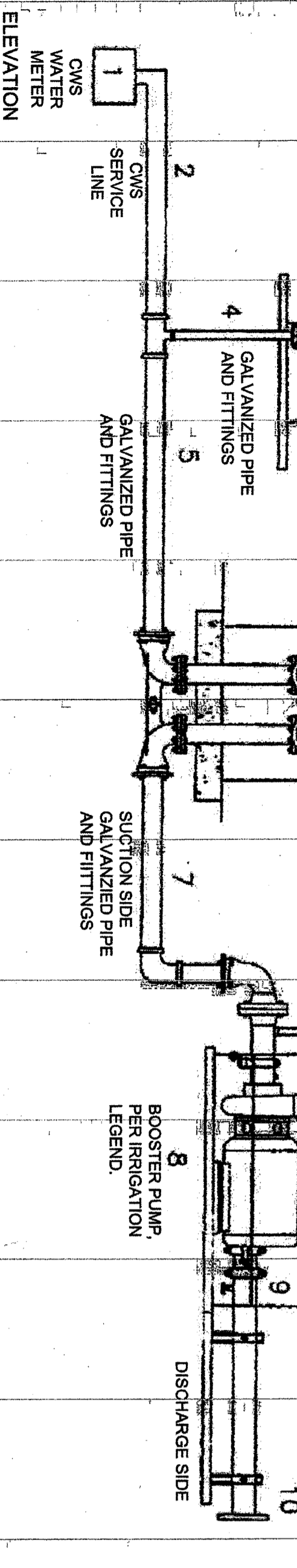


LENGTH OF SPRING BETWEEN THESE COMPONENTS TO BE DETERMINED IN THE FIELD.

REDUCED PRESSURE BACKFLOW PREVENTER AS REQUIRED BY THE HEALTH CODES.



BACKFLOW DEVICE PER IRRIGATION LEGEND

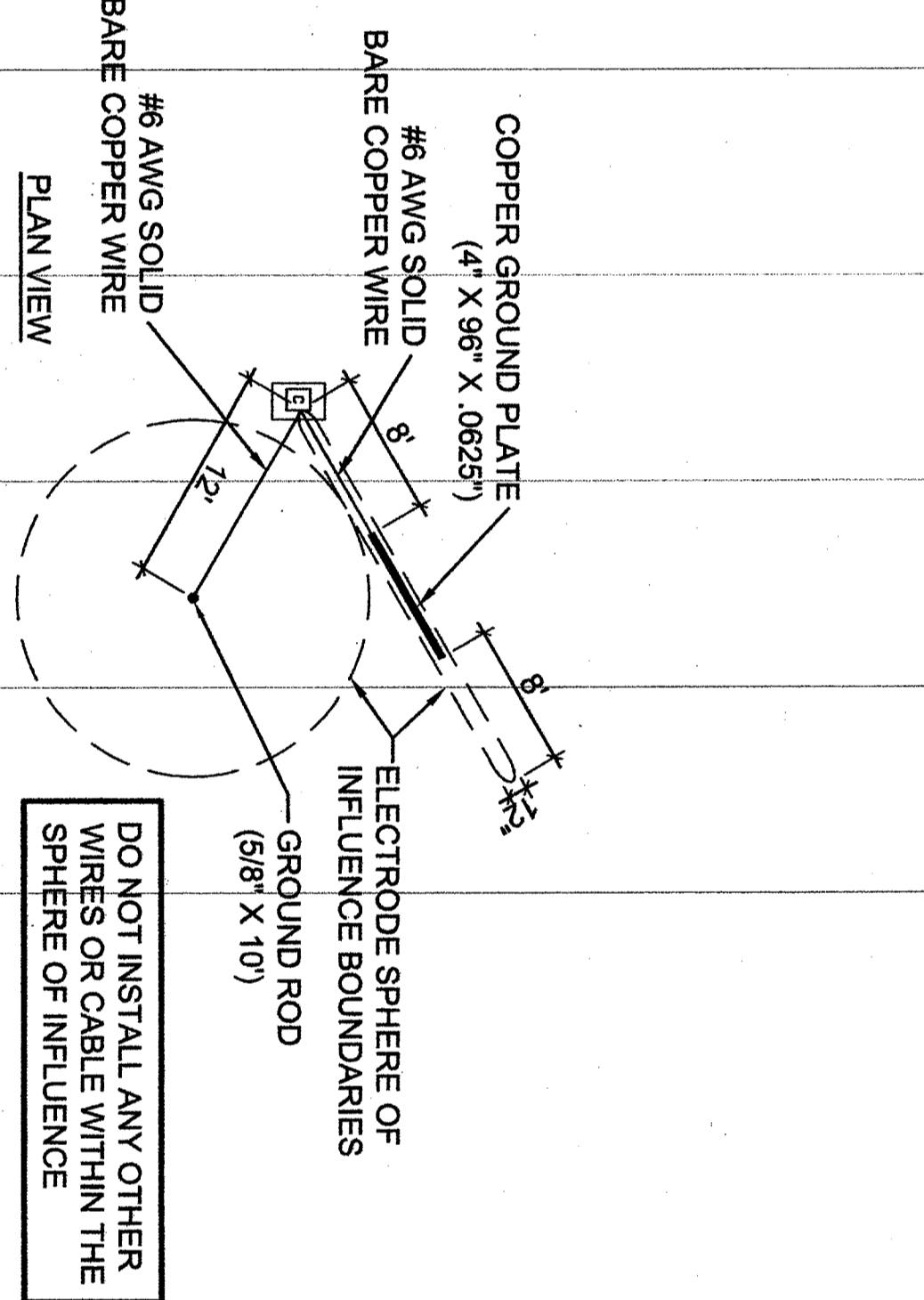


### C BLADDER/SURGE TANK INSTALLATION

SCALE: NTS

### D GROUNDING ROD

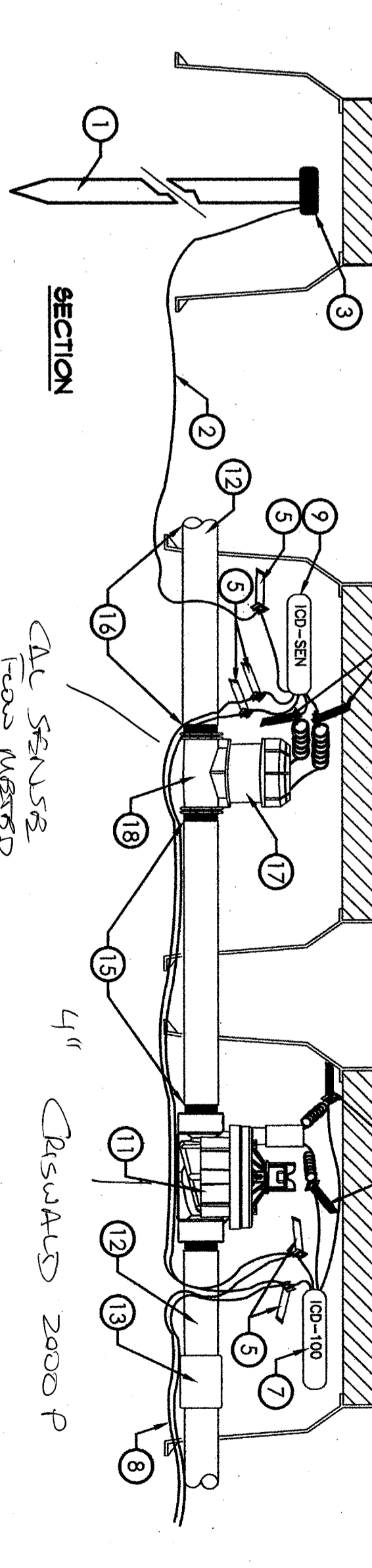
SCALE: NTS



DO NOT INSTALL ANY OTHER WIRES OR CABLE WITHIN THE SPHERE OF INFLUENCE

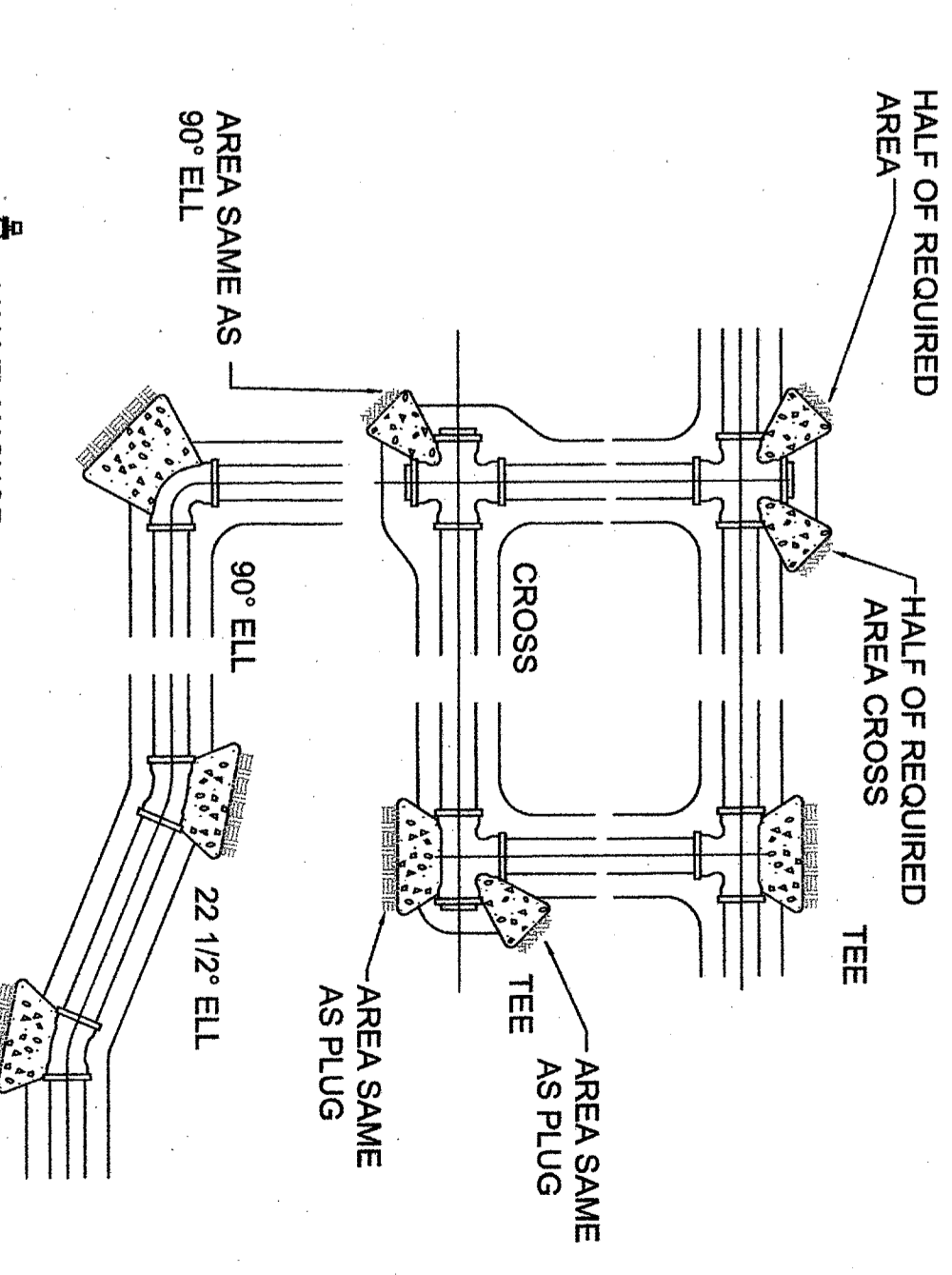
### E MASTER VALVE AND FLOW SENSOR GROUNDING ROD

SCALE: NTS



### B THRUST BLOCKS FOR IRRIGATION LINES

SCALE: NTS

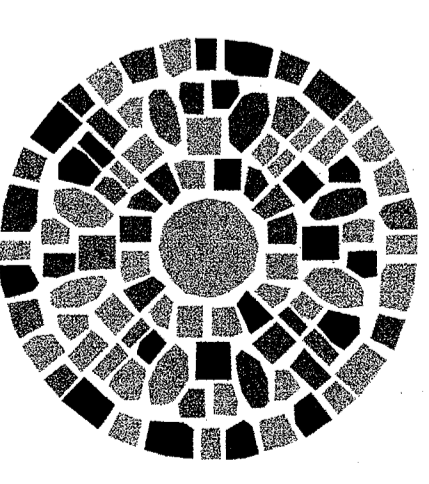


NOTE:  
#4 REBAR ANCHORS  
ALL THRUST BLOCKS TO BE POURED AGAINST UNDISTURBED SOIL. CONCRETE SHALL BE PLACED BEHIND BELLS OF FITTINGS. BEARING AREAS SHOWN IN TABLE ARE BASED ON ALLOWABLE SOIL PRESSURE OF 1500 PSF.

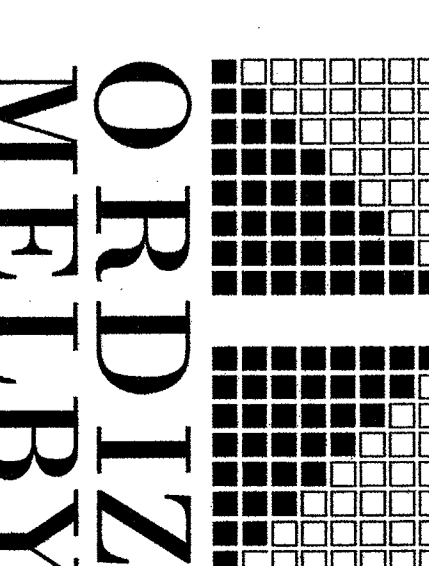
THRUST BLOCK SCHEDULE	BEARING AREA, SF
PIPE 1/2" OR 3/4" EL	22.2
2" EL	2
3" EL	2
4" EL	2
6" EL	2
8" EL	2

KERN TURF SUPPLY, INC.  
INTELLIGENT PUMPING SOLUTIONS  
PROJECT NAME: BCSJ MIDDLE & ELEMENTARY SCHOOLS  
LOCATION: BAKERSFIELD, CA  
MODEL NUMBER: P4M MPC-F 2CR32-4  
GPM: 360 MIN. INLET PSI: 28 MAX INLET PSI: 40 PUMP DISCHARGE PSI: 103  
HP: 2 X 15 POWER SUPPLY: 3Ø/460V APPLICATION: IRRIGATION PIPING SIZE: 4"  
CONTROL MODE: CONSTANT PRESSURE SPEED CONTROL (VFD) MAIN DISCONNECT SIZE: 60 AMPS  
SYSTEM FULL LOAD AMPERAGE: 37 AMPS  
ADDITIONAL FEATURES (INCLUDED):  
- SERVICE DISCONNECT SWITCHES  
- SURGE PROTECTION  
- E/M SWITCHES  
- PUMP RUN LIGHTS  
- ALARM CHIRUITS

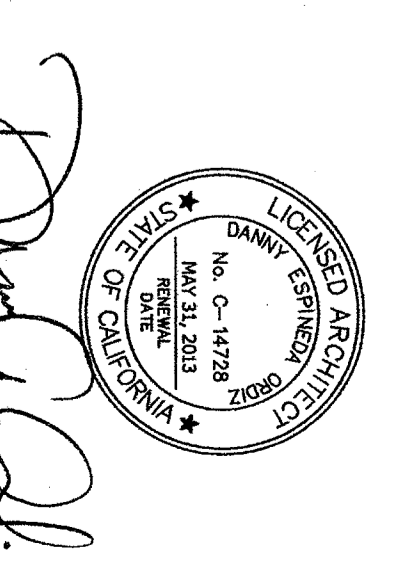
NOTES:  
- PUMP STATION INLET/DISCHARGE PIPING IS RECOMMENDED TO BE PLUMBED THROUGH CONCRETE PAD.  
- RECOMMENDED CONCRETE PAD SIZE: 120" L X 84" W X 8" D  
- PUMP STATION WILL BE ORDERED ONLY AFTER A VOLTAGE VERIFICATION FORM HAS BEEN SIGNED BY THE INSTALLER (AVAILABLE FROM KERN TURF SUPPLY, INC.)  
- 44 GALLON DIAPHRAGM TANK IS TO BE INSTALLED ON THE DISCHARGE SIDE OF THE PUMP STATION MANIFOLD.  
LEAD TIME: 4 TO 6 WEEKS A.R.O.  
PRICING: PLEASE CONTACT JOSH BANUJICO (661) 978-6935 AT KERN TURF SUPPLY, INC. FOR A PRICE QUOTE AND/OR FURTHER INFORMATION.



ROS DESIGN STUDIO  
LANDSCAPE ARCHITECTURE & DESIGN  
3800 OAK VISTA AVENUE  
BAKERSFIELD, CALIFORNIA 93309  
F: (805) 832-9292  
F: (805) 837-2954



ORDIZ MELBY ARCHITECTS, INC.  
5600 NING AVENUE SUITE 200  
BAKERSFIELD, CALIFORNIA 93309  
TELEPHONE: (805) 832-5289  
FACSIMILE: (805) 832-4291



KEVIN E. BROWN, PE  
ARCHITECT  
WILLIAM J. MEYER, AIA  
ARCHITECT  
C16855

PLUMBING IDENTIFICATION STAMP  
OFFICE OR RESIDENTIAL SERVICES  
LAPRIL #02-112027  
FILE # 1548  
DATE: JUN 2 2012  
P/N: 63381-112

BAKERSFIELD CITY SCHOOL DISTRICT  
1300 BAKER STREET  
BAKERSFIELD CALIFORNIA 93305

NEW ELEMENTARY SCHOOL  
8901 HIGHLAND KNOLLS DR  
BAKERSFIELD CALIFORNIA 93306

FOR:

MARK	DATE	DESCRIPTION

2007012144  
1444-ALDLO A (MULTIUSER)-CD-AIA  
DRAWN BY: TS  
CHECKED BY: TS  
DATE: 05/20/05  
CADD WORKSPACE: 2007012144  
CADD DRAWING FILE: 2007012144.dwg  
CHECK AND VERIFY ALL DIMENSIONS BEFORE REPORTING DIMENSIONS TO THE ARCHITECT. THE DIMENSIONS SHOWN ARE THE PROPERTY OF THE ARCHITECT.  
ON-SITE: BAKERSFIELD, CA 93309  
SHEET TITLE

IRRIGATION DETAILS  
SHEET IDENTIFICATION NUMBER  
L13