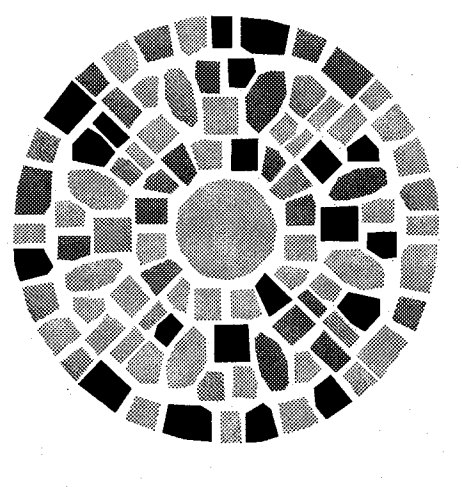
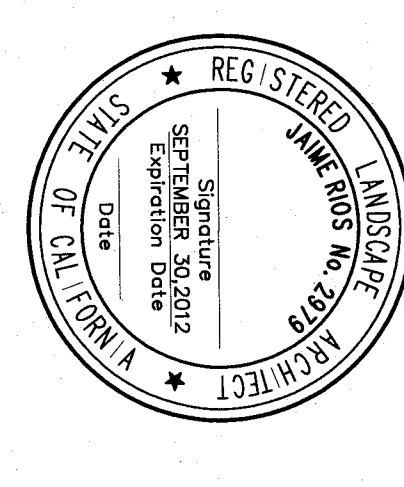


MATCHLINE, SEE SHEET D

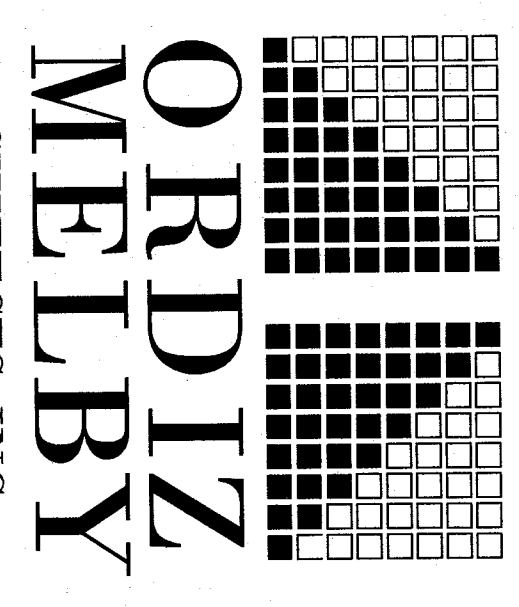
MATCHLINE, SEE SHEET H



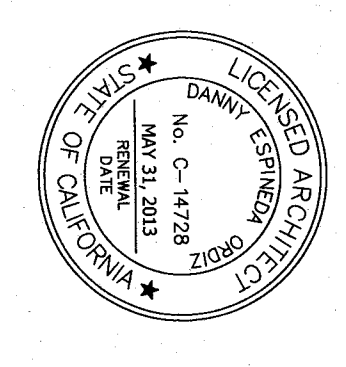
**RIOS DESIGN STUDIO**  
 LANDSCAPE ARCHITECTURE & DESIGN  
 3805 OAK VISTA AVENUE  
 BAKERSFIELD, CALIFORNIA  
 93309  
 P: 661.825.9292  
 F: 661.367.5284



**NOTES**  
 REFER TO SHEET L10 FOR IRRIGATION LEGEND AND NOTES  
 REFER TO SHEET L11, L12 & L13 FOR IRRIGATION DETAILS.



**ORDIZ MELBY ARCHITECTS, INC.**  
 5600 KING AVENUE SUITE 280  
 BAKERSFIELD, CALIFORNIA 93309  
 TELEPHONE (661) 332-2528  
 FACSIMILE (661) 332-4291



DANNY E. ORDIZ, AIA  
 ARCHITECT C-14,728  
 WILLIAM J. MELBY, AIA  
 ARCHITECT C-6,835

IDENTIFICATION STAMP  
 DIVISION OF STATE ARCHITECT  
 OFFICE OF REGULATION SERVICES  
 FILE # 154  
 APPL. #02-112027  
 No. C-14728  
 SEPTEMBER 30, 2012  
 Expiration Date  
 STATE OF CALIFORNIA  
 ARCHITECT  
 REG. STAMP  
 JUNE 09 AM '09  
 PIN# 63321-112

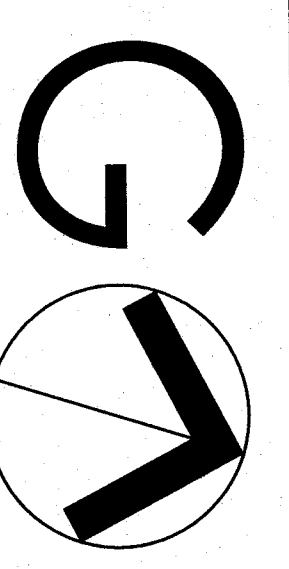
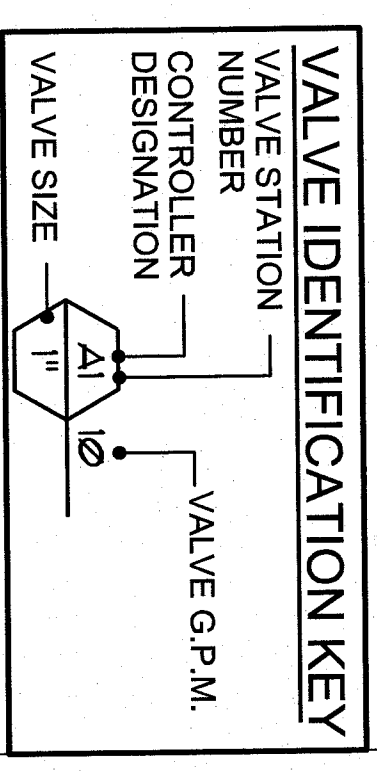
**FOR:**  
 NEW ELEMENTARY SCHOOL  
 9801 HIGHLAND KNOLL DR  
 BAKERSFIELD, CALIFORNIA 93306  
 NEW MIDDLE SCHOOL  
 4115 VINELAND ROAD  
 BAKERSFIELD, CALIFORNIA 93306  
 BAKERSFIELD CITY SCHOOL DISTRICT  
 1300 BAKER STREET  
 BAKERSFIELD, CALIFORNIA 93305

MARK	DATE	DESCRIPTION
△		
△		
△		
△		

2011/10/24  
 2011/10/24  
 2011/10/24  
 1244-BLDG A (MULTIPURPOSE).CD.plt  
 DRAWN BY:  
 CHECKED BY:  
 DESIGNED BY:  
 M.E.R.  
 CHECK AND VERIFY ALL DIMENSIONS BEFORE REPORTING DIMENSIONS TO THE ARCHITECT. THE DRAWING, LOGS AND RECORDS ARE THE PROPERTY OF THE ARCHITECT. ORIGINAL COPYRIGHT © 2011

IRRIGATION PLAN

SHEET IDENTIFICATION NUMBER  
**L8**



SCALE: 1"=20'