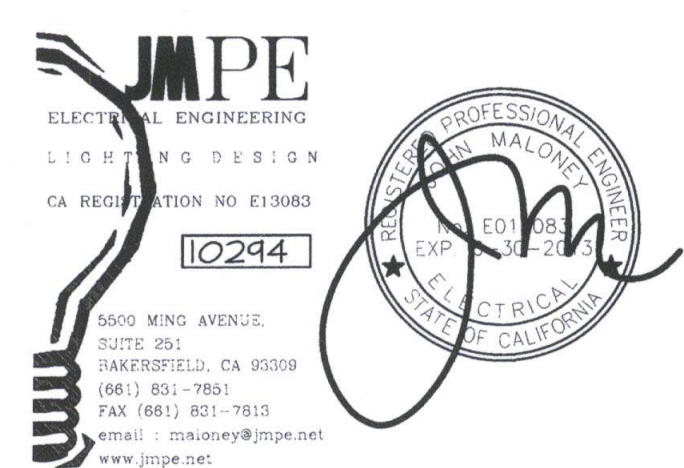


NEW ELEMENTARY SCHOOL
9801 HIGHLAND KNOLLS DR
BAKERSFIELD
CALIFORNIA
93306

NEW MIDDLE SCHOOL
4115 VINELAND ROAD
BAKERSFIELD
CALIFORNIA
93306

FOR:
BAKERSFIELD CITY SCHOOL DISTRICT
1300 BAKER STREET
BAKERSFIELD
CALIFORNIA
93305



MARK	DATE	DESCRIPTION
△		
△		
△		
△		

JOB NUMBER:
20101244
CAD DRAWING FILE:

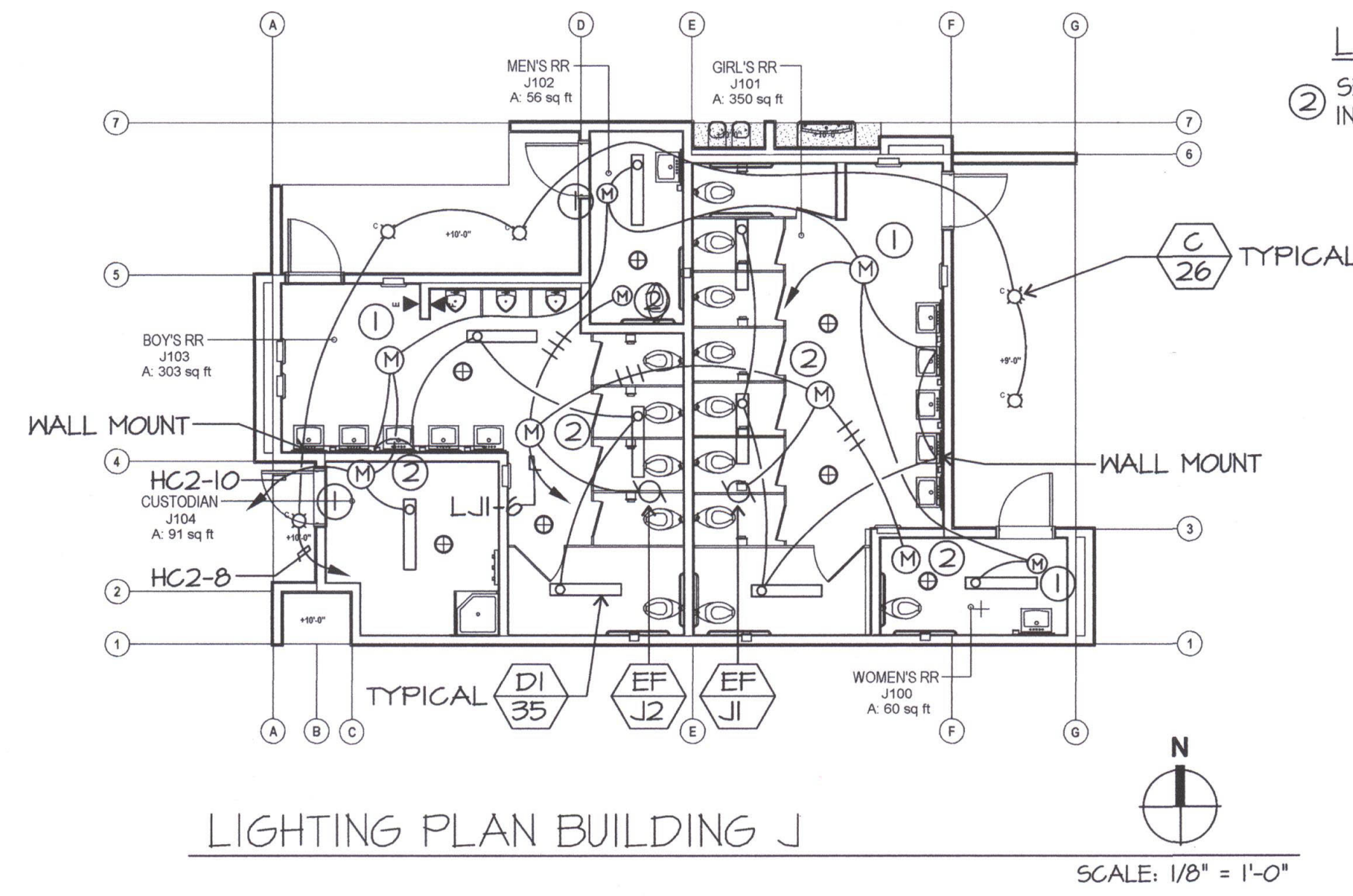
DRAWN BY:
AC
CHECKED BY:
PH

CHECK AND VERIFY ALL DIMENSIONS BEFORE PROCEEDING WITH THE WORK. REPORT DISCREPANCIES TO THE ARCHITECT.

THE DRAWINGS, IDEAS, AND DESIGNS REPRESENTED ON THIS SHEET ARE THE PROPERTY OF THE ARCHITECT.

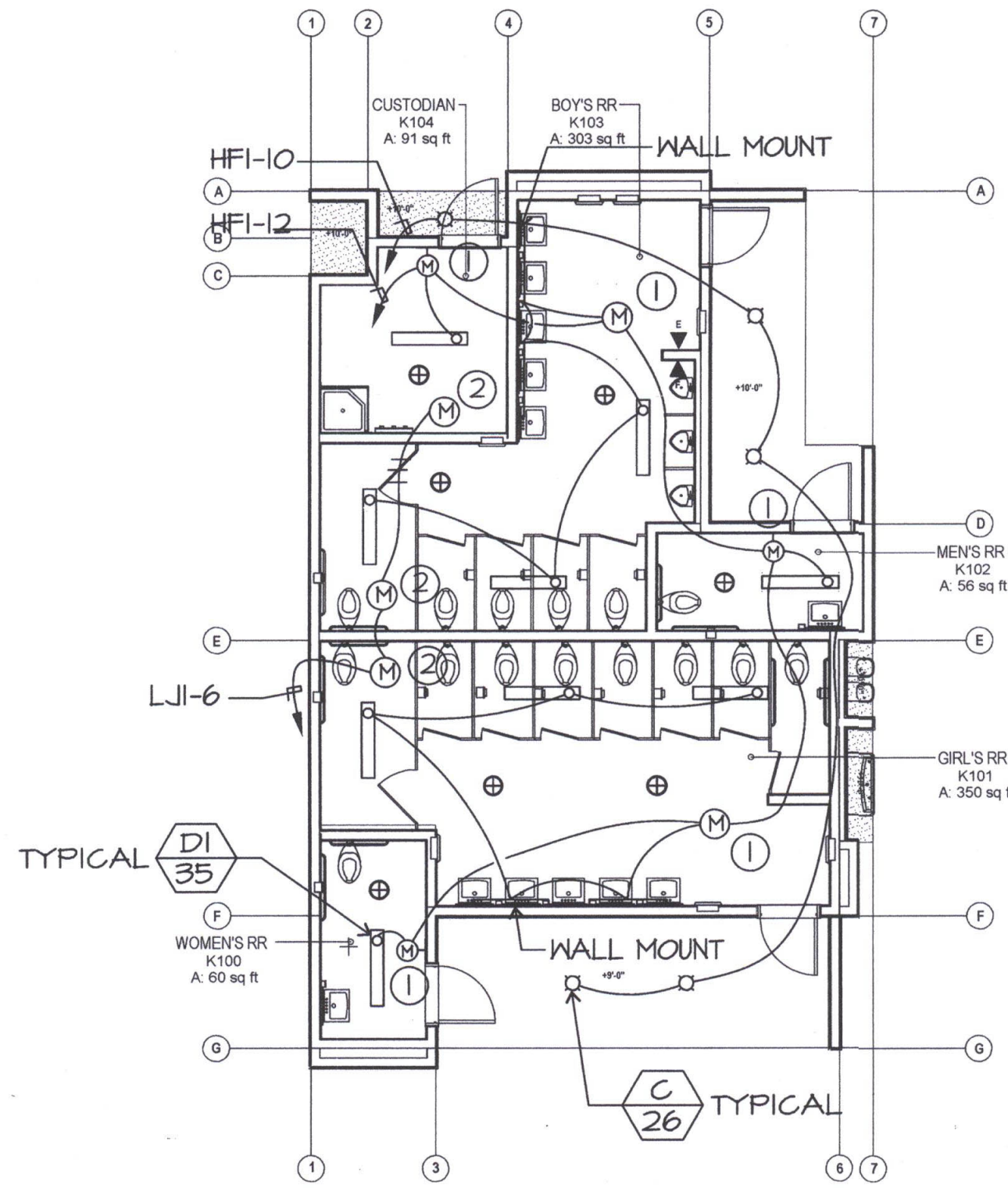
COPYRIGHT
ORDIZ-MELBY ARCHITECTS, INC. 2010
SHEET TITLE
**LIGHTING PLAN
BUILDING J,K,Q,R**

SHEET IDENTIFICATION NUMBER
E-132J,K,Q,R
SHEET OF



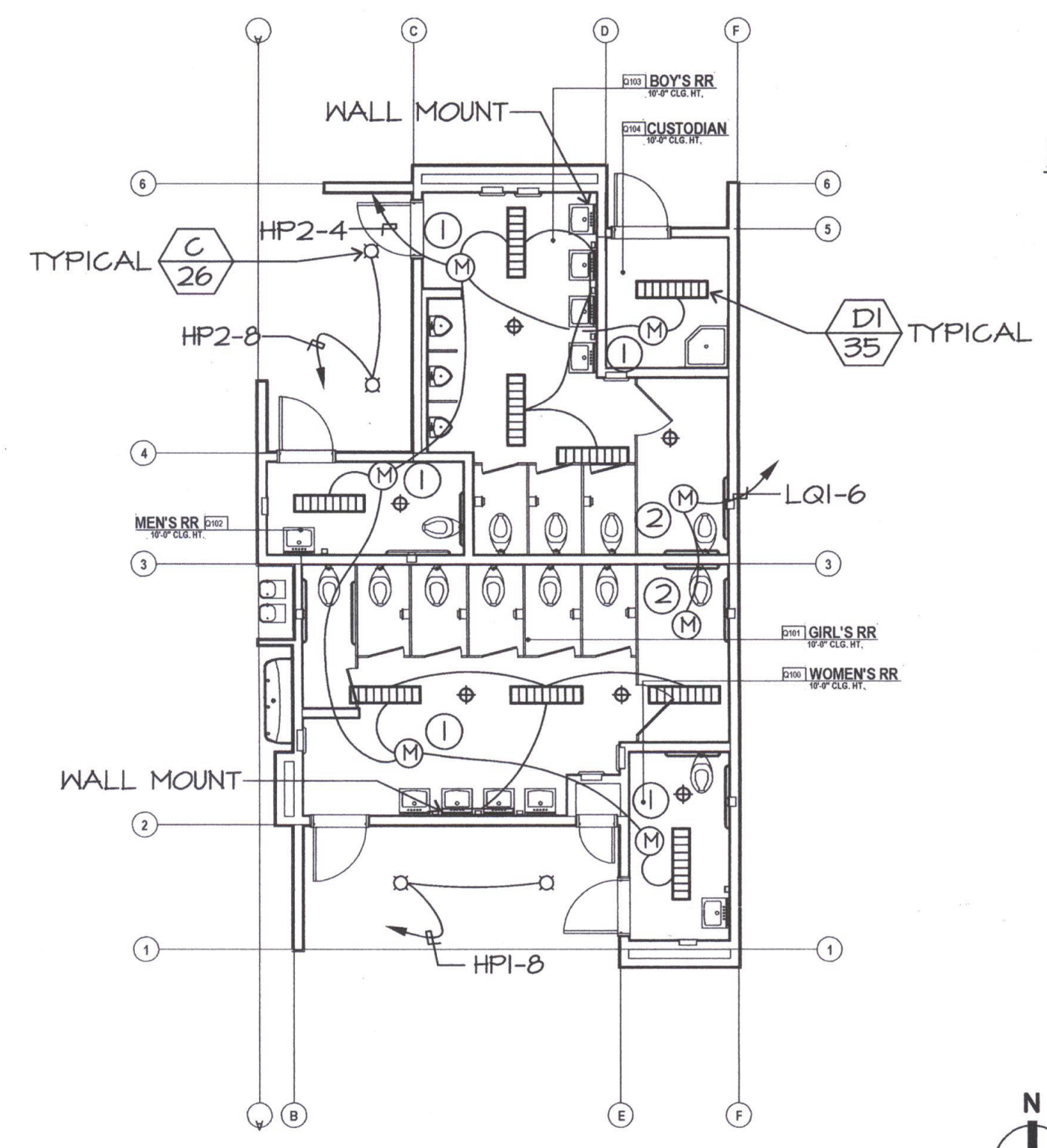
LIGHTING NOTES BUILDING J
① SENSOR SWITCH #CMR-PDT CONNECT IN PARALLEL TO EF THAT SERVES AREA.
②

LIGHTING PLAN BUILDING J
SCALE: 1/8" = 1'-0"



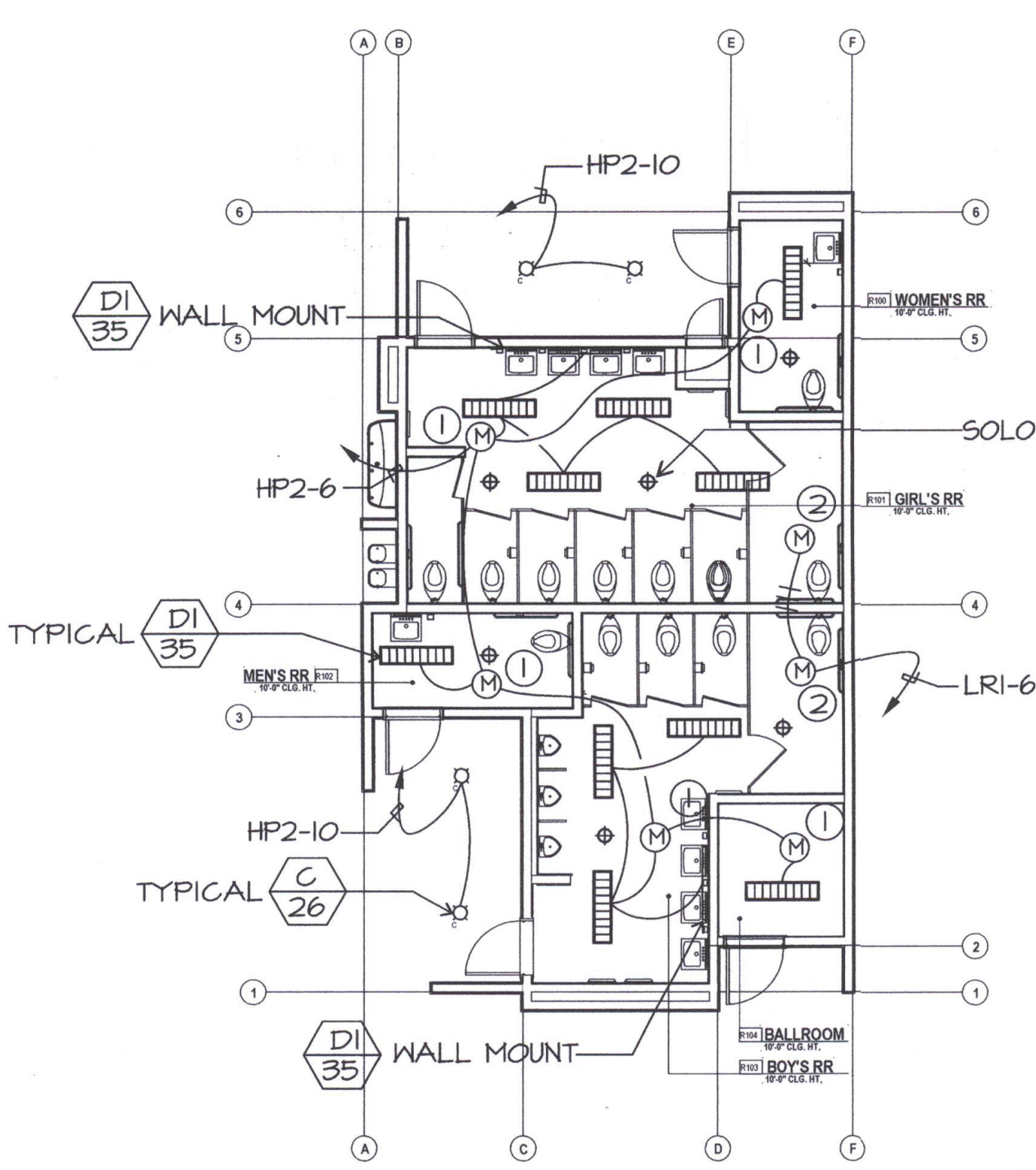
LIGHTING NOTES BUILDING K
① SENSOR SWITCH #CMR-PDT-2TT #DN-X-WH
② SENSOR SWITCH #CMR-PDT. CONNECT EF

LIGHTING PLAN BUILDING K
SCALE: 1/8" = 1'-0"



LIGHTING NOTES BUILDING Q
① SENSOR SWITCH #CMR-PDT-2TT #DN-X-WH
② SENSOR SWITCH #CMR-PDT. CONNECT EF

LIGHTING PLAN BUILDING Q
SCALE: 1/8" = 1'-0"



LIGHTING NOTES BUILDING R
① SENSOR SWITCH #CMR-PDT-2TT #DN-X-WH
② SENSOR SWITCH #CMR-PDT. CONNECT EF

LIGHTING PLAN BUILDING R
SCALE: 1/8" = 1'-0"

Item #36: Refer to Electrical Drawing E-132J,K,Q,R
A. Delete sheet E-132J,K,Q,R. Replace with revised sheet E-R132J,K,Q,R as attached.