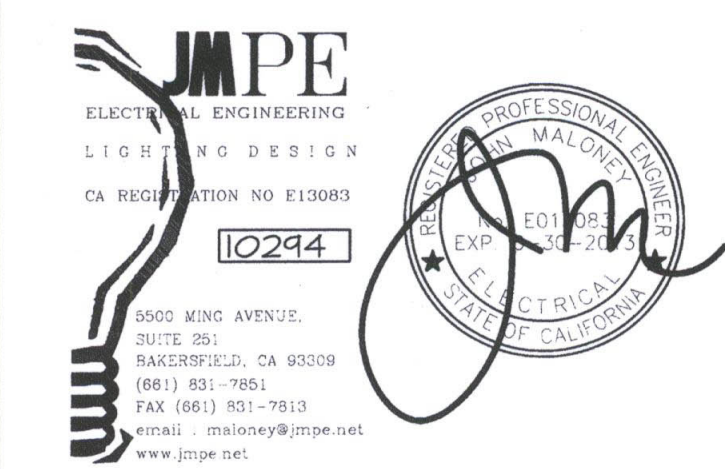


NEW ELEMENTARY SCHOOL
9801 HIGHLAND KNOLLS DR
BAKERSFIELD
CALIFORNIA
93306

NEW MIDDLE SCHOOL
4115 VINELAND ROAD
BAKERSFIELD
CALIFORNIA
93306

FOR:
BAKERSFIELD CITY SCHOOL DISTRICT
1300 BAKER STREET
BAKERSFIELD
CALIFORNIA
93305



MARK DATE DESCRIPTION

△		
△		
△		
△		

JOB NUMBER: 20101244
CAD DRAWING FILE:

DRAWN BY: AC
CHECKED BY: PH

CHECK AND VERIFY ALL DIMENSIONS BEFORE PROCEEDING WITH THE WORK. REPORT DISCREPANCIES TO THE ARCHITECT.

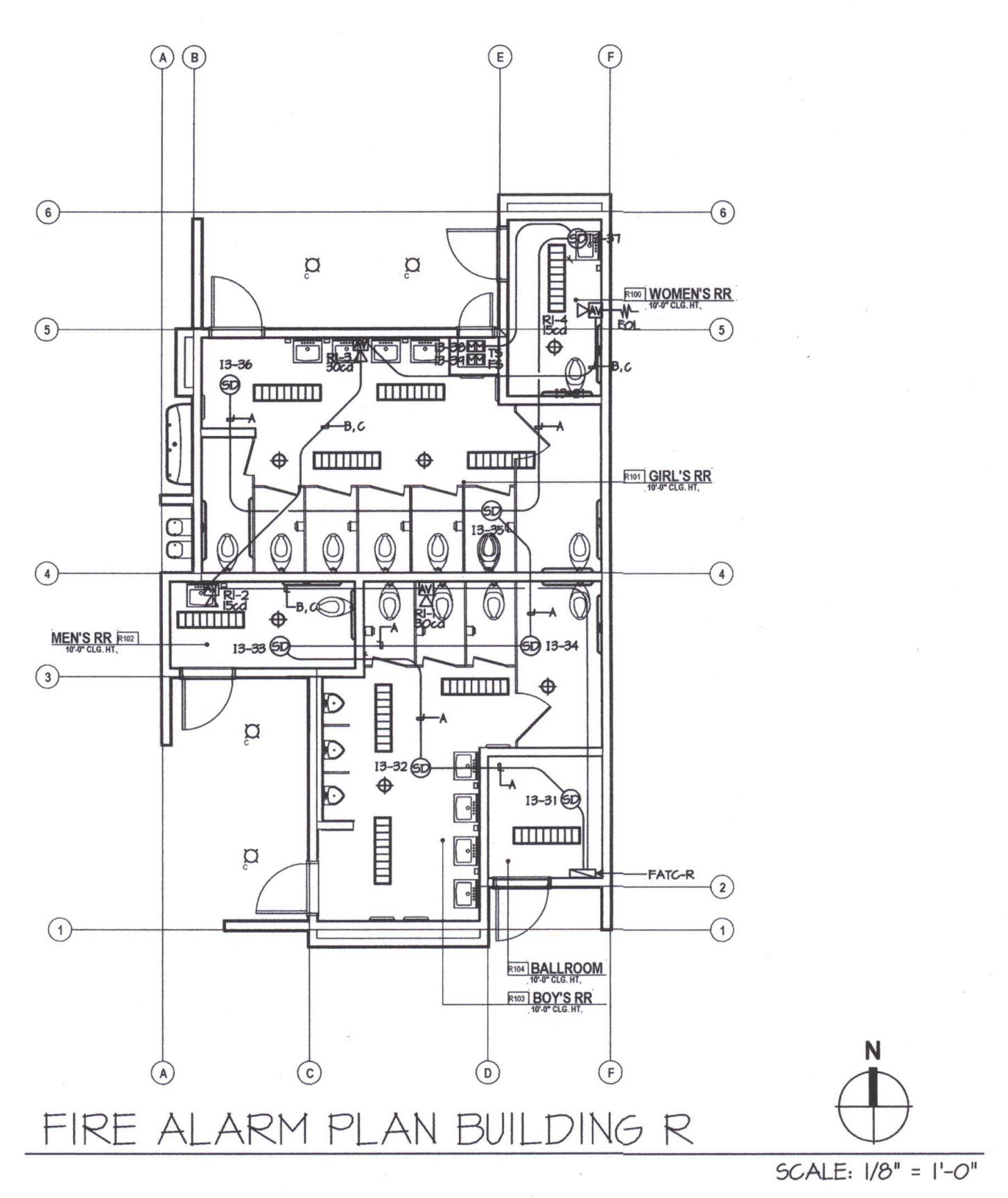
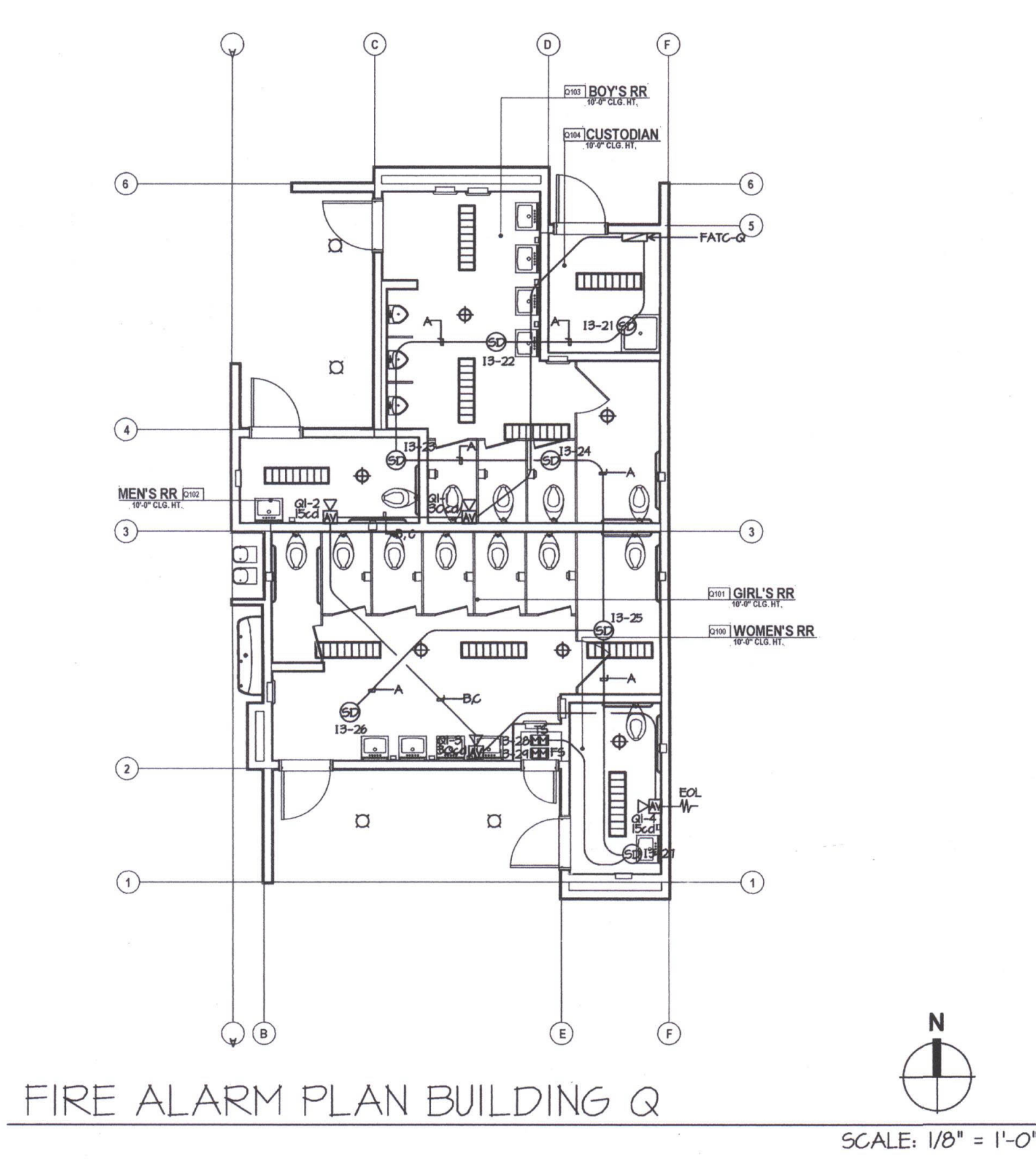
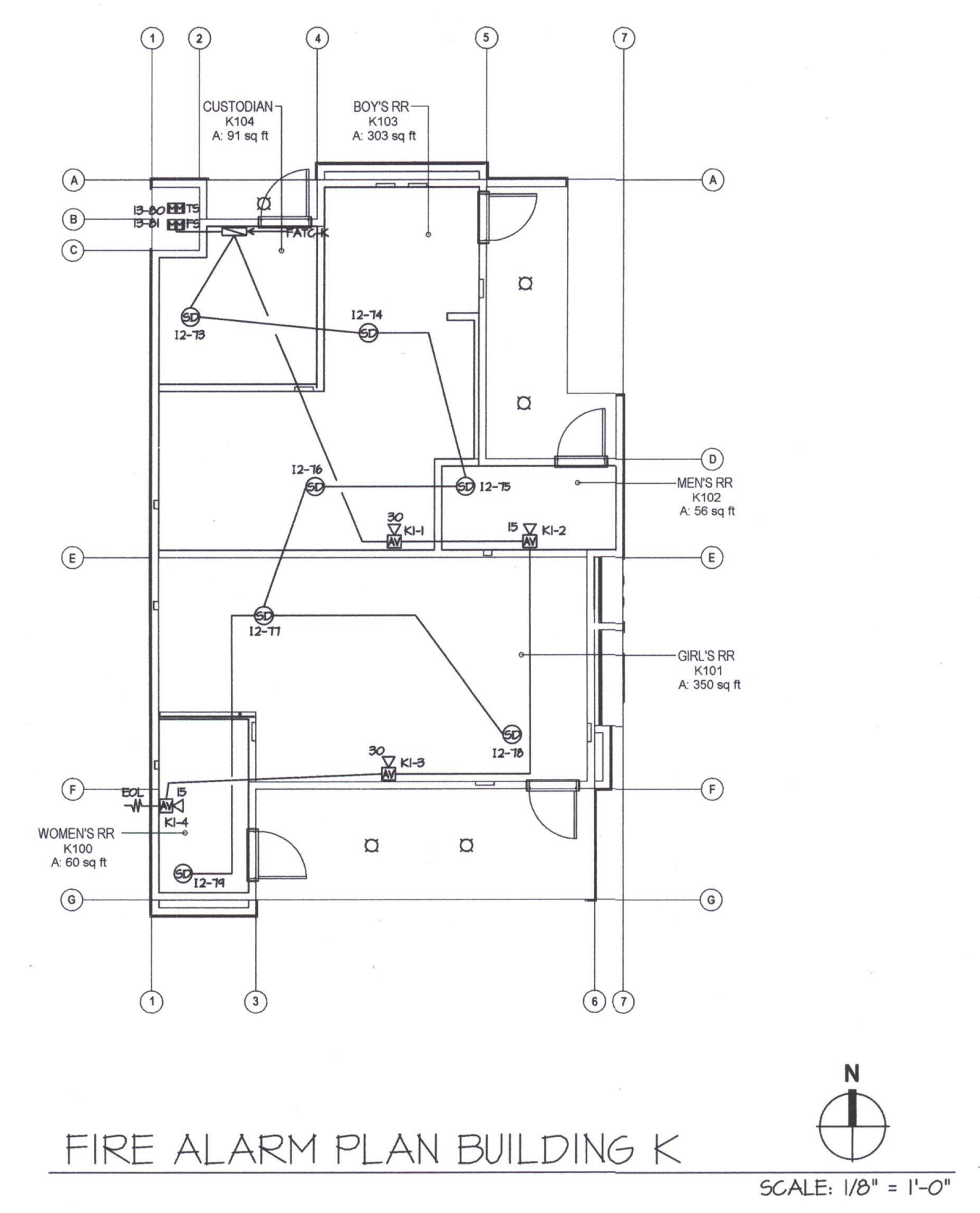
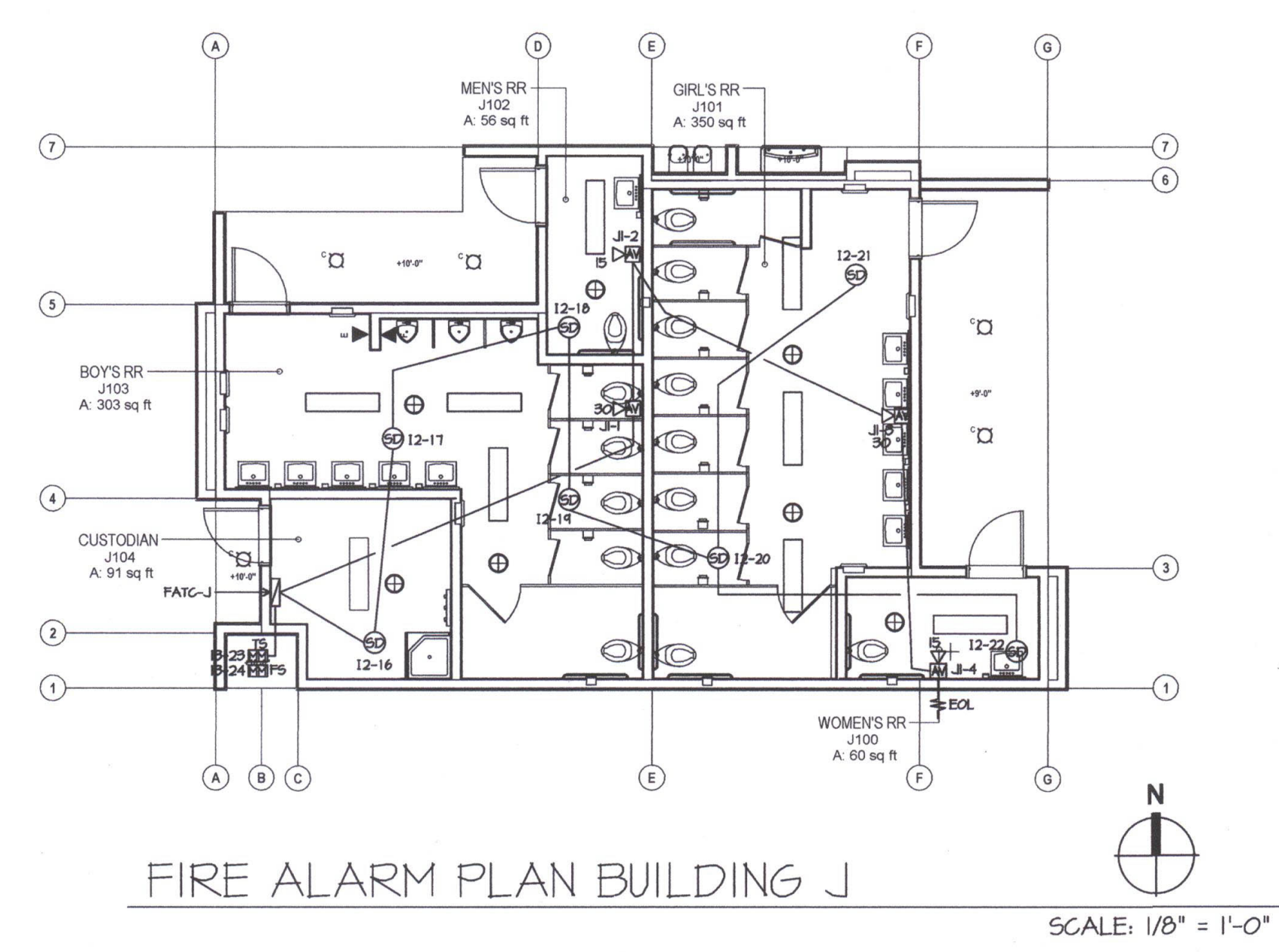
THE DRAWINGS, DEAS, AND DESIGNS REPRESENTED ON THIS SHEET ARE THE PROPERTY OF THE ARCHITECT.

COPYRIGHT
ORDIZ MELBY ARCHITECTS, INC. 2010
SHEET TITLE
**FIRE ALARM PLAN
BUILDING J,K,Q,R**

SHEET IDENTIFICATION NUMBER
E-131J,K,Q,R
SHEET OF

FIRE ALARM PLAN NOTES

- FIRE ALARM CABLES SHOWN ARE DIAGMATIC. INSTALL CABLES PARALLEL AND PERPENDICULAR TO WALLS AT HIGHEST LOCATION POSSIBLE. SUPPORT FIRE ALARM CABLE(S) EVERY 5' W/ RED J-HOOKS TYPICAL. FIRE ALARM CABLE(S) AND THEIR SUPPORT(S) SHALL BE INDEPENDENT FROM COMMUNICATION CABLE SUPPORT, TYPICAL.
- INSTALL POWER BOOSTER PANEL FLUSH IN NEW WALL. ALL FIRE ALARM CABLES INSTALLED IN WALLS SHALL BE IN EMT CONDUIT.



Item #35: Refer to Electrical Drawing E-131J,K,Q,R
A. Delete sheet E-131J,K,Q,R. Replace with revised sheet E-R131J,K,Q,R as attached.

CABLE LEGEND	
A	WESTPENN 975 (SLC)
B	WESTPENN 998 (STROBE)
C	WESTPENN 975 (SPEAKERS)