

NEW ELEMENTARY SCHOOL
 9801 HIGHLAND KNOLLS DR
 BAKERSFIELD CALIFORNIA 93306

NEW MIDDLE SCHOOL
 4115 VINELAND ROAD
 BAKERSFIELD CALIFORNIA 93306

FOR:
BAKERSFIELD CITY SCHOOL DISTRICT
 1300 BAKER STREET
 BAKERSFIELD CALIFORNIA 93305

MARK	DATE	DESCRIPTION
△		
△		
△		
△		

20101244
 CAD DRAWING FILE

DRAWN BY: **KW**
 CHECKED BY: **MB**

CHECK AND VERIFY ALL DIMENSIONS BEFORE PROCEEDING WITH THE WORK. REPORT DISCREPANCIES TO THE ARCHITECT.

THE DRAWINGS, REVISIONS AND DESIGN REPRESENTED ON THIS SHEET ARE THE PROPERTY OF THE ARCHITECT.

COPYRIGHT
 ORDIZ-MELBY ARCHITECTS, INC. 2010

SHEET TITLE

MECHANICAL DETAILS - MAKE-UP AIR UNIT

SHEET IDENTIFICATION NUMBER
M-509

FAN #6 A2-G15 - SUPPLY FAN (MAU-1)

- UNTEMPERED SUPPLY UNIT WITH 15" BLOWER IN SIZE #2 HOUSING
- EVAP COOLER LPD CELDEK - WINTAKE HOOD W/ EZ FILTERS
- DOWN DISCHARGE - AIR FLOW RIGHT -> LEFT
- 120V WIRING CONNECTION TO ENERGIZE EVAPORATIVE COOLERS FROM UNTEMPERED SUPPLY FANS.
- FREEZE PROTECTION DRAIN CONTROL KIT FOR EVAPORATIVE COOLERS. INCLUDES 3-WAY WATER SOLENOID VALVE (3/8" NPT SHIPPED LOCKED), PRESSURE SWITCH INSTALLED UPSTREAM OF 2-WAY SOLENOID IN UNIT, BRASS TEE, 2 NPT HALF INCH NIPPLES, AND TWO STAGE THERMOSTAT T678A-1015. FOR BOTH CELDEK AND STANDARD V-BANK TYPE CONFIGURATIONS. TWO STAGE THERMOSTAT, SWITCH AND VALVES FIELD PIPED AND WIRED UNDER SPEC. SECTION 15800.
- 3 YEAR EXTENDED WARRANTY FOR FAN MOTOR. PARTS ONLY; DOES NOT INCLUDE LABOR.

FAN #7 A2-G15 - SUPPLY FAN (MAU-2)

- UNTEMPERED SUPPLY UNIT WITH 15" BLOWER IN SIZE #2 HOUSING
- EVAP COOLER LPD CELDEK - WINTAKE HOOD W/ EZ FILTERS
- DOWN DISCHARGE - AIR FLOW RIGHT -> LEFT
- 120V WIRING CONNECTION TO ENERGIZE EVAPORATIVE COOLERS FROM UNTEMPERED SUPPLY FANS.
- FREEZE PROTECTION DRAIN CONTROL KIT FOR EVAPORATIVE COOLERS. INCLUDES 3-WAY WATER SOLENOID VALVE (3/8" NPT SHIPPED LOCKED), PRESSURE SWITCH INSTALLED UPSTREAM OF 2-WAY SOLENOID IN UNIT, BRASS TEE, 2 NPT HALF INCH NIPPLES, AND TWO STAGE THERMOSTAT T678A-1015. FOR BOTH CELDEK AND STANDARD V-BANK TYPE CONFIGURATIONS. TWO STAGE THERMOSTAT, SWITCH AND VALVES FIELD PIPED AND WIRED UNDER SPEC. SECTION 15800.
- 3 YEAR EXTENDED WARRANTY FOR FAN MOTOR. PARTS ONLY; DOES NOT INCLUDE LABOR.
- SEPARATE 120VAC WIRING PACKAGE FOR MAKE-UP AIR UNITS. OPTION MUST BE SELECTED WHEN MOUNTING VFD IN PREWIRE PANEL OR WITH EMS PACKAGE. PROVIDES SEPARATE 120VAC INLET TO SUPPLY FAN. THIS 120V SIGNAL MUST BE RUN BY ELECTRICIAN FROM EMS TO MUA SWITCH. WIRING AND CONDUIT PROVIDED UNDER SPEC. DIV. 16.

MUA FAN INFORMATION

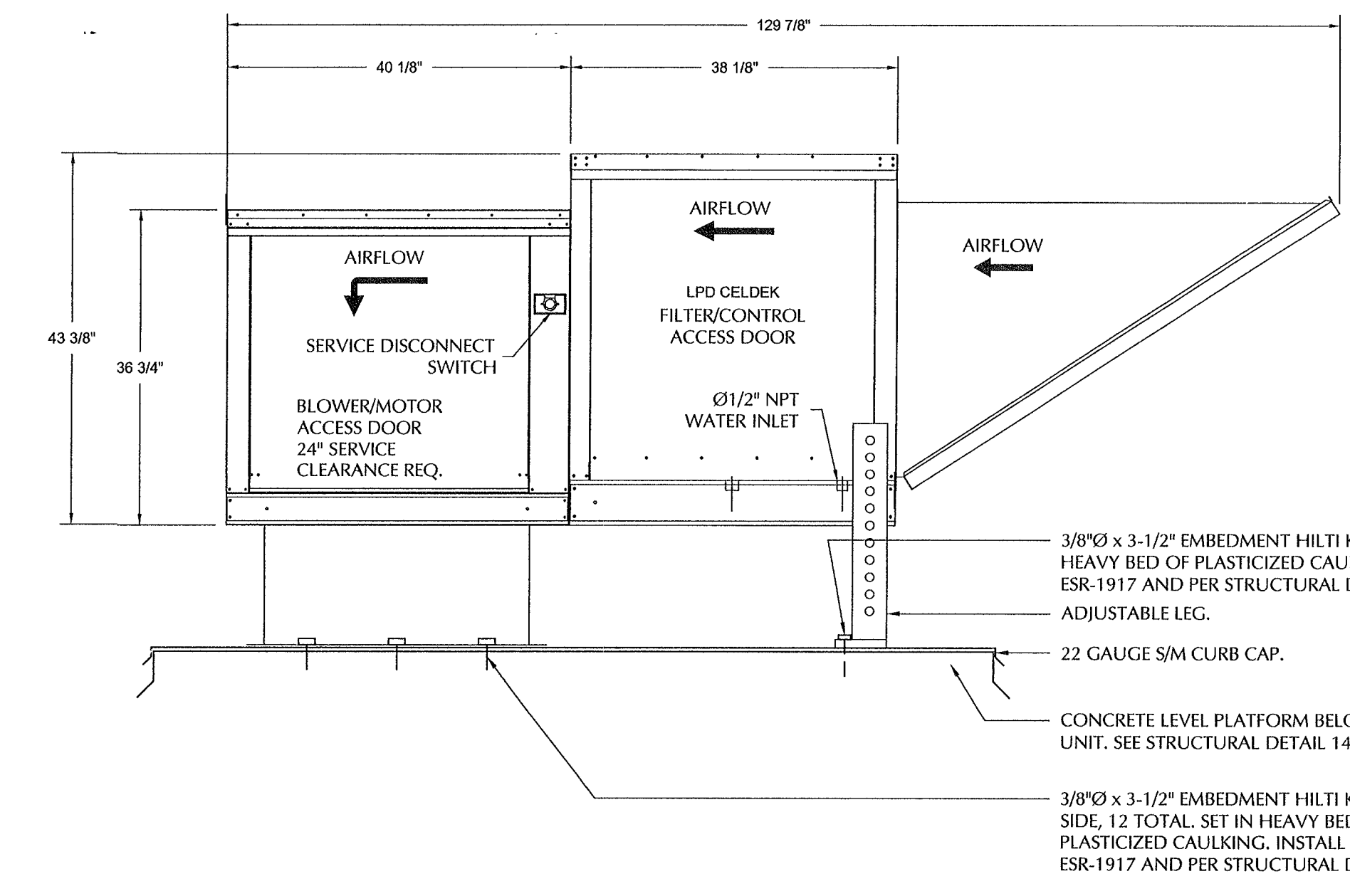
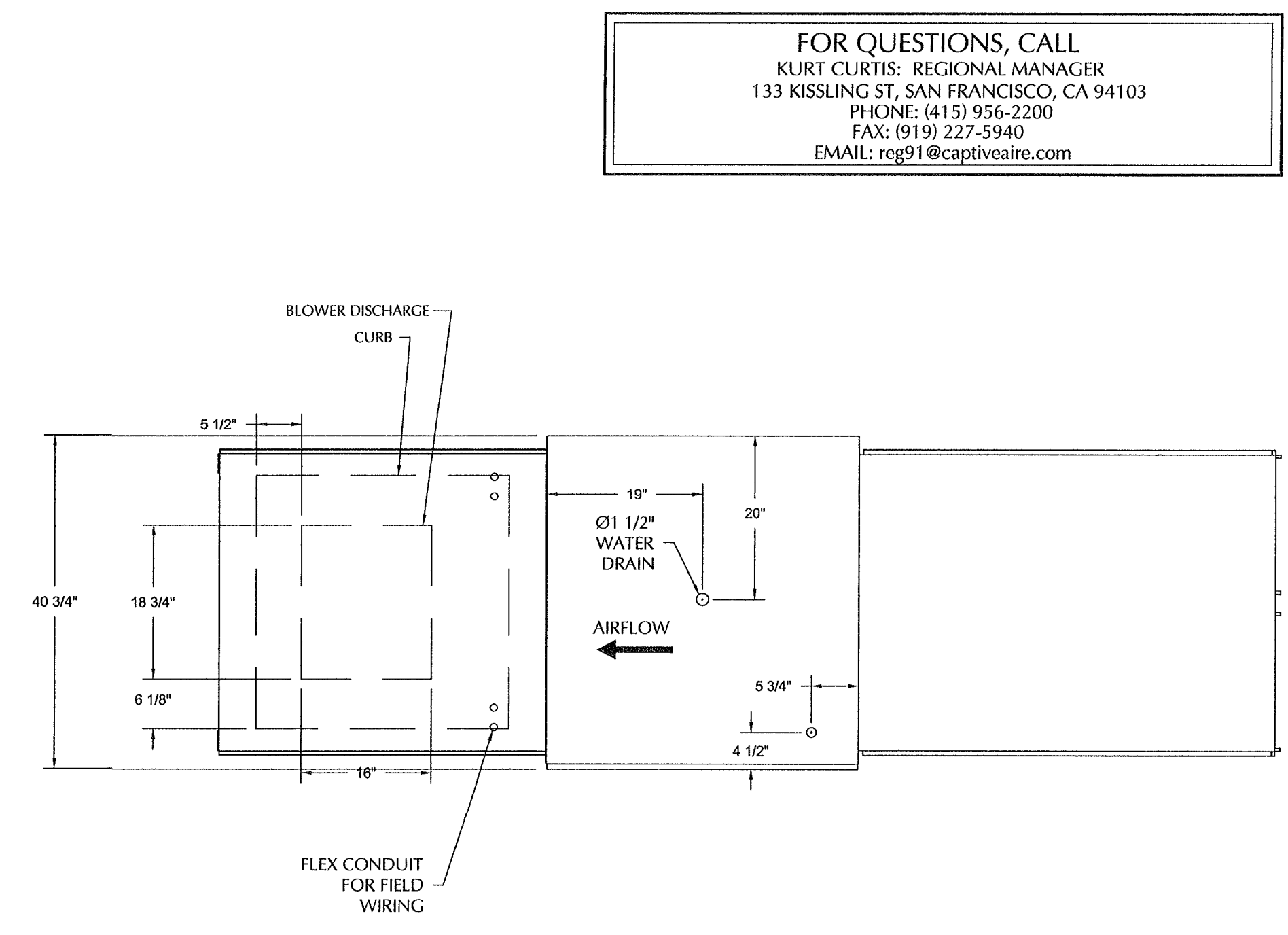
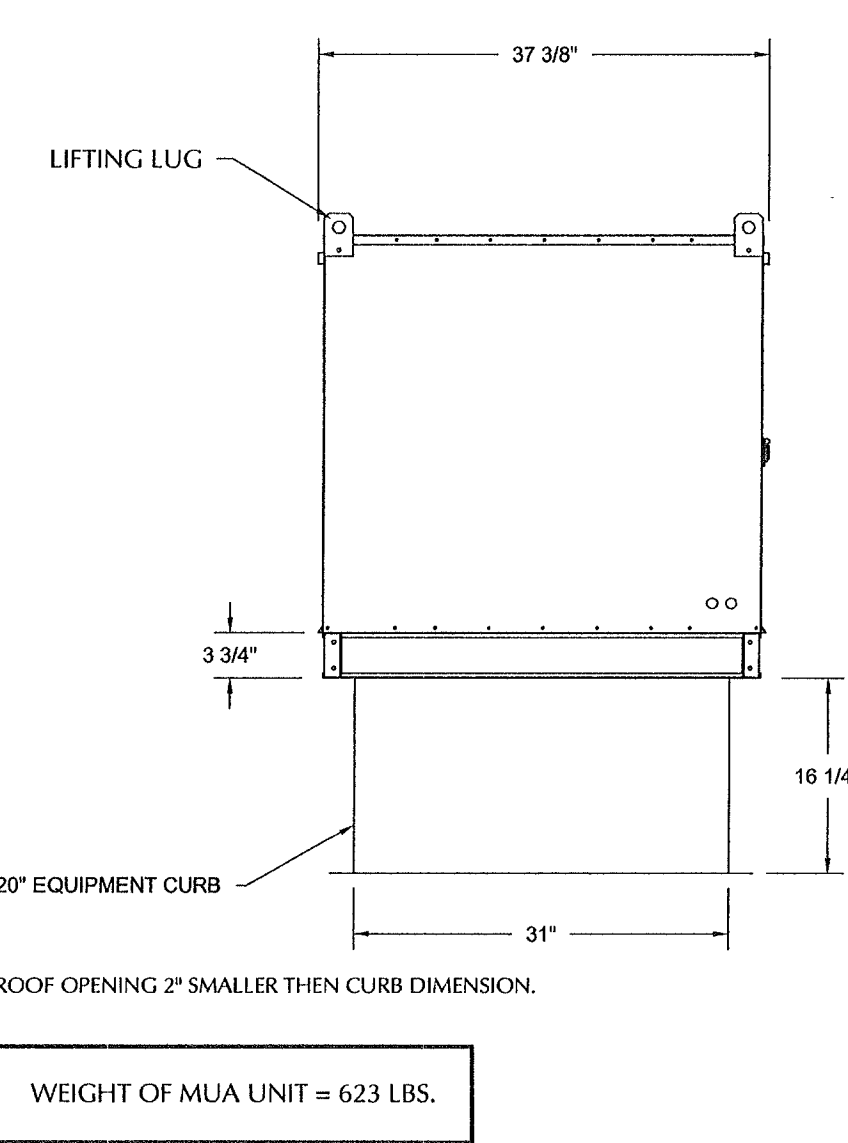
FAN UNIT NO.	FAN UNIT MODEL #	BLOWER	HOUSING	TAG	CFM	S.P.	RPM	H.P.	Ø	VOLT	WEIGHT (LBS.)
6	A2-G15	G15-PB	A2	MAU-A1	2756	0.750	691	1.000	3	460	622.65
7	A2-G15	G15-PB	A2	MAU-A2	2297	0.750	665	1.000	3	460	622.65

FAN OPTIONS

FAN UNIT NO.	OPTION (Qty. - Descr.)
6	1 - Evaporative Cooler Wiring Harness
	1 - Freeze Protection Drain Kit for Evaporative Coolers. Field install and wire under Spec. Section 15800.
	1 - 3 Year Extended Motor Warranty
7	1 - Evaporative Cooler Wiring Harness
	1 - Freeze Protection Drain Kit for Evaporative Coolers. Field install and wire under Spec. Section 15800.
	1 - 3 Year Extended Motor Warranty
	1 - Separate 120V Wiring Package (Required for EMS or Prewire with VFD) - Three Phase Only

CURB ASSEMBLIES

NO.	ON FAN	ITEM	SIZE
6	#6	Curb	31.000"W x 31.000"L x 20.000"H
	#6	Rail	4.000"W x 4.000"L x 36.000"H Along Width,
7	#7	Curb	31.000"W x 31.000"L x 20.000"H
	#7	Rail	4.000"W x 4.000"L x 36.000"H Along Width,



MAKE-UP AIR UNIT (MUA-A1 & A2)

FOR QUESTIONS, CALL
 KURT CURTIS, REGIONAL MANAGER
 133 KISSLING ST, SAN FRANCISCO, CA 94103
 PHONE: (415) 956-2200
 FAX: (415) 227-5940
 EMAIL: krc91@captivewire.com

