



William J. Melby
DANNY E. ORDIZ, AIA
ARCHITECT C-14,728
WILLIAM J. MELBY, AIA
ARCHITECT C-16,835

IDENTIFICATION STAMP
DIVISION OF STATE ARCHITECT
OFFICE OF REGULATION SERVICES
APPL. #02-112027
FILE #: 15-6
AC FILED 88 CE
DATE JAN 20 2012
PTN # 63321-12

NEW ELEMENTARY SCHOOL
9801 HIGHLAND KNOLLS DR
BAKERSFIELD CALIFORNIA 93306
NEW MIDDLE SCHOOL
4115 VINELAND ROAD
BAKERSFIELD CALIFORNIA 93306

FOR:
BAKERSFIELD CITY SCHOOL DISTRICT
1300 BAKER STREET
BAKERSFIELD CALIFORNIA 93305

MARK	DATE	DESCRIPTION
△		
△		
△		
△		

JOB NUMBER:
200101244
CAD DRAWING FILE:

DRAWN BY:
KW
CHECKED BY:
MB

CHECK AND VERIFY ALL DIMENSIONS BEFORE PROCEEDING WITH THE WORK. REPORT DISCREPANCIES TO THE ARCHITECT.
THE DRAWINGS, IDEAS, AND DESIGNS REPRESENTED ON THIS SHEET ARE THE PROPERTY OF THE ARCHITECT.

COPYRIGHT
ORDIZ MELBY ARCHITECTS, INC. 2010

SHEET TITLE
**MECHANICAL
DETAILS - KITCHEN
EXHAUST FAN**

SHEET IDENTIFICATION NUMBER

M-508

EXHAUST FAN INFORMATION

FAN UNIT NO.	FAN UNIT MODEL #	MODEL	TAG	CFM	S.P.	RPM	H.P.	Ø	VOLT	WEIGHT (LBS.)
1	DU33HFA	DU33HFA	KEF-A1	700	0.750	1404	0.333	1	115	53.01
2	NCA14FA	NCA14FA	KEF-A2	1531	0.750	1021	0.750	3	460	116.35
3	NCA14FA	NCA14FA	KEF-A3	1531	0.750	1021	0.750	3	460	116.35
4	NCA14FA	NCA14FA	KEF-A4A	1276	1.100	1168	0.750	3	460	123.15
5	NCA14FA	NCA14FA	KEF-A4B	1276	1.100	1168	0.750	3	460	123.15

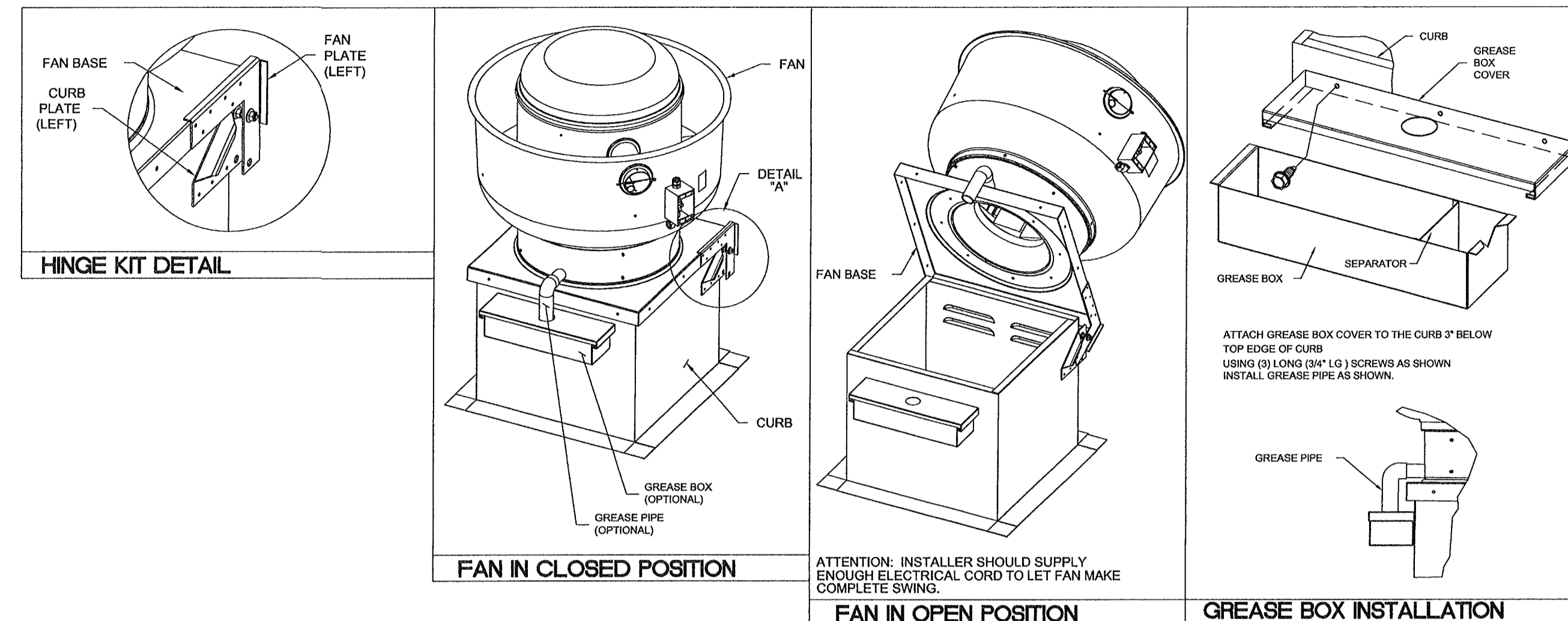
FAN OPTIONS

FAN UNIT NO.	OPTION (Qty. - Descr.)
1	1 - ECM Wiring Package for Exhaust Fans or Untempered Supply Fans
	1 - SCR-11 Bird Screen
	1 - 3 Year Extended Motor Warranty
2	1 - 3 Year Extended Motor Warranty
3	1 - 3 Year Extended Motor Warranty
4	1 - Grease Box
	1 - 3 Year Extended Motor Warranty
5	1 - Grease Box
	1 - 3 Year Extended Motor Warranty

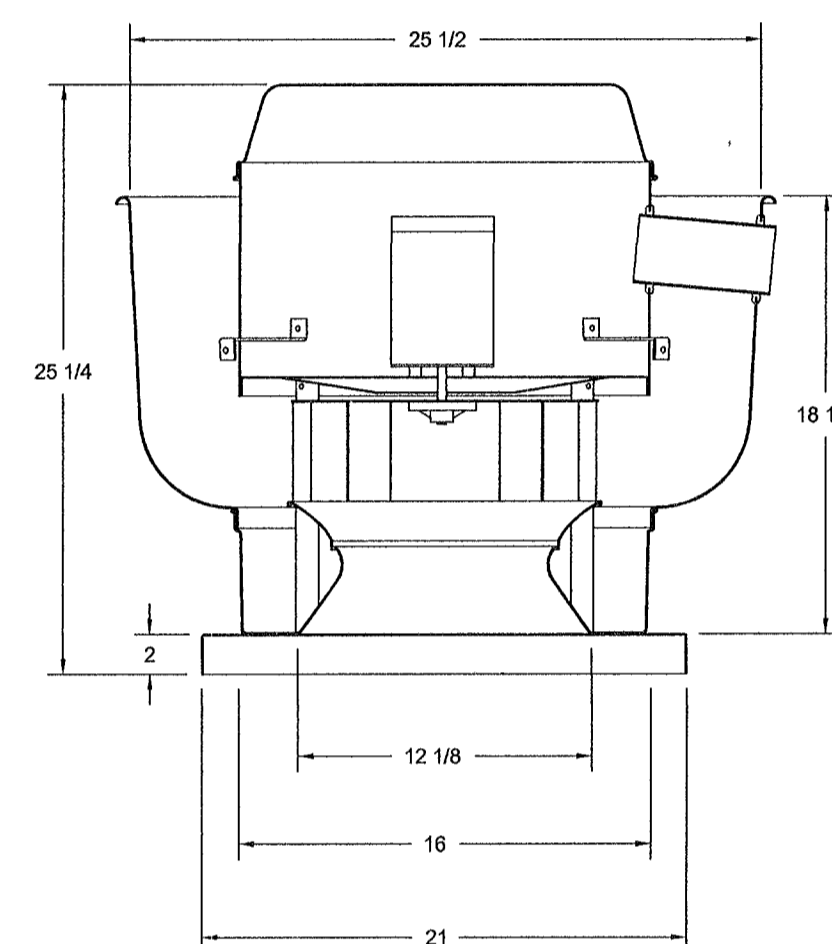
CURB ASSEMBLIES

NO.	ON FAN	ITEM	SIZE
1	#1	Curb	19.500"W x 19.500"L x 20.000"H
2	#2	Curb	23.000"W x 23.000"L x 20.000"H Vented Hinged
3	#3	Curb	23.000"W x 23.000"L x 20.000"H Vented Hinged
4	#4	Curb	23.000"W x 23.000"L x 20.000"H Vented Hinged
5	#5	Curb	23.000"W x 23.000"L x 20.000"H Vented Hinged

FOR QUESTIONS, CALL
KURT CURTIS: REGIONAL MANAGER
133 KISSLING ST. SAN FRANCISCO, CA 94103
PHONE: (415) 956-2200
FAX: (919) 227-5940
EMAIL: reg91@captivewire.com

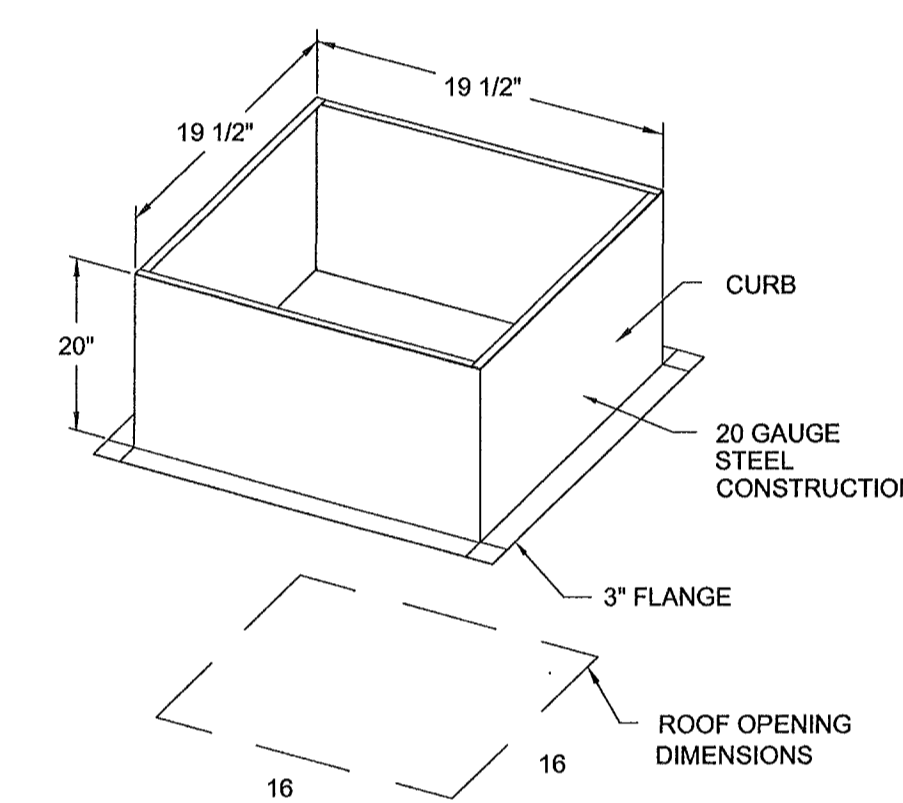


FAN #1 DU33HFA - EXHAUST FAN (KEF-A1)

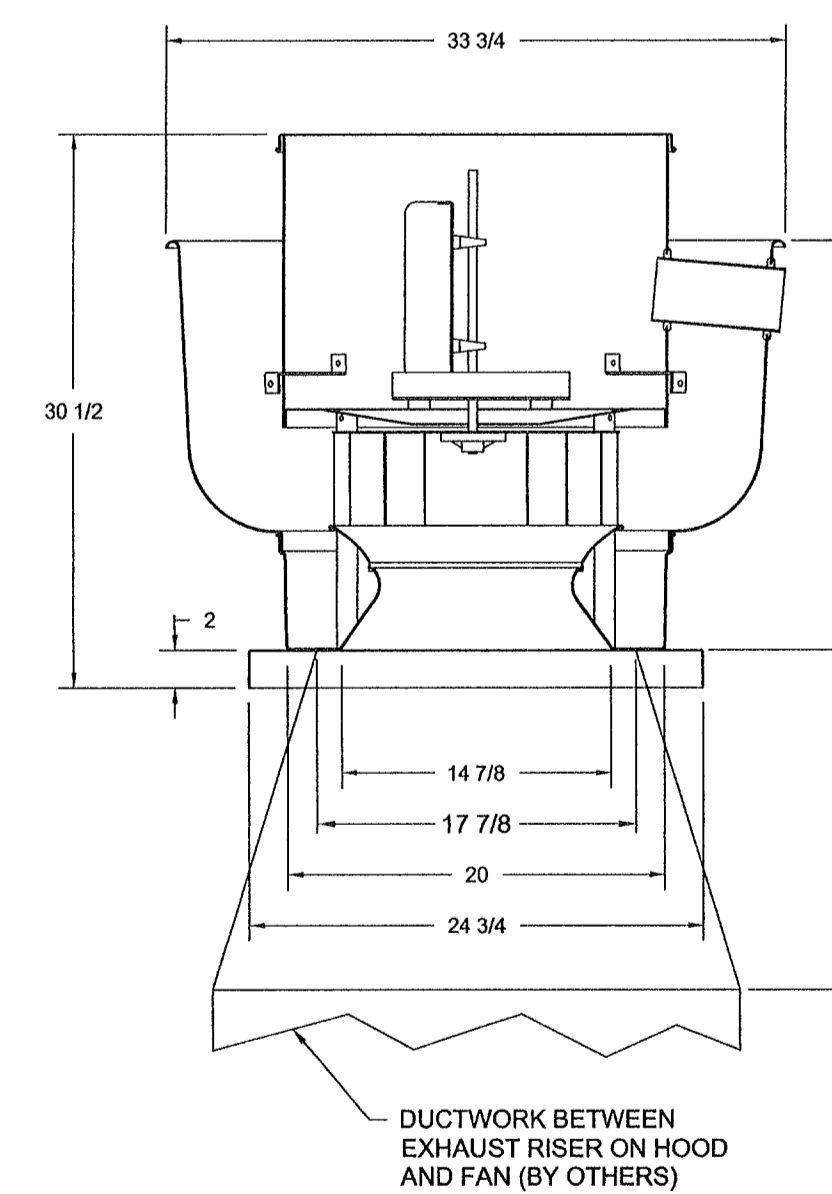


- FEATURES:**
- ROOF MOUNTED FANS
 - UL705
 - VARIABLE SPEED CONTROL
 - INTERNAL WIRING
 - WEATHERPROOF DISCONNECT
 - THERMAL OVERLOAD PROTECTION (SINGLE PHASE)
- OPTIONS:**
- ECM WIRING PACKAGE FOR EXHAUST FANS OR UNTEMPERED SUPPLY FANS
 - SCR-11 BIRD SCREEN
 - 3 YEAR EXTENDED MOTOR WARRANTY

FAN WEIGHT = 53 LBS. MAX.
SEE DETAIL B/M-503 FOR ANCHORAGE



FAN #2-5 NCA14FA - EXHAUST FAN (KEF-A2, A3, A4A & A4B)



- FEATURES:**
- ROOF MOUNTED FANS
 - RESTAURANT MODEL
 - UL705 AND UL712
 - AMCA SOUND AND AIR CERTIFIED
 - WIRING FROM MOTOR TO DISCONNECT SWITCH
 - WEATHERPROOF DISCONNECT
 - HIGH HEAT OPERATION 300°F (149°C)
 - GREASE CLASSIFICATION TESTING

NORMAL TEMPERATURE TEST
EXHAUST FAN MUST OPERATE CONTINUOUSLY WHILE EXHAUSTING AIR AT 300°F (149°C) UNTIL ALL FAN PARTS HAVE REACHED THERMAL EQUILIBRIUM, AND WITHOUT ANY DETERIORATING EFFECTS TO THE FAN WHICH WOULD CAUSE UNSAFE OPERATION.

ABNORMAL FLARE-UP TEST
EXHAUST FAN MUST OPERATE CONTINUOUSLY WHILE EXHAUSTING BURNING GREASE VAPORS AT 600°F (316°C) FOR A PERIOD OF 15 MINUTES WITHOUT THE FAN BECOMING DAMAGED TO ANY EXTENT THAT COULD CAUSE AN UNSAFE CONDITION.

- OPTIONS:**
- 3 YEAR EXTENDED MOTOR WARRANTY

FAN WEIGHT = 123 LBS. MAX.
SEE DETAIL B/M-503 FOR ANCHORAGE

