



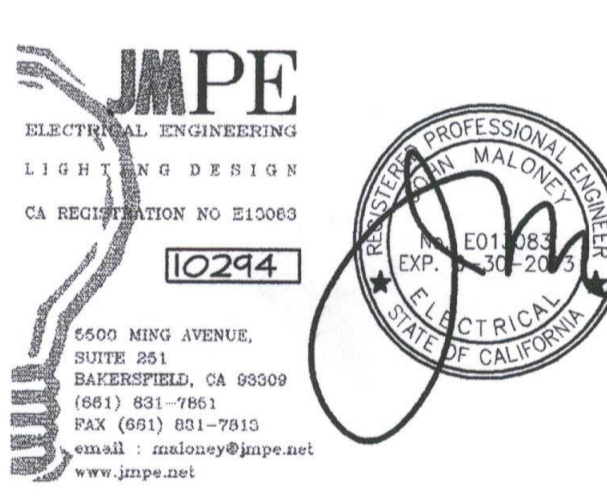
DANNY E. ORDIZ, AIA
ARCHITECT C-14,728
WILLIAM J. MELBY, AIA
ARCHITECT C-16,835
CONSULTANT

IDENTIFICATION STAMP
DIVISION OF STATE ARCHITECT
OFFICE OF REGULATION SERVICES
APPL #
FILE #
AC: PHS SS: GC
DATE: JAN 20 2012

NEW ELEMENTARY SCHOOL
9801 HIGHLAND KNOLLS DR
BAKERSFIELD
CALIFORNIA 93306

NEW MIDDLE SCHOOL
4115 WINELAND ROAD
BAKERSFIELD
CALIFORNIA 93306

FOR:
BAKERSFIELD CITY SCHOOL DISTRICT
1300 BAKER STREET
BAKERSFIELD
CALIFORNIA 93305



MARK	DATE	DESCRIPTION
△	04/15/11	PROGRESS SET NOT FOR CONSTRUCTION
△		
△		
△		

JOB NUMBER: 2011244
CAD DRAWING FILE:

DRAWN BY: AC
CHECKED BY: PH
CHECK AND VERIFY ALL DIMENSIONS BEFORE PROCEEDING WITH THE WORK. REPORT DISCREPANCIES TO THE ARCHITECT.

THE DRAWINGS, IDEAS, AND DESIGNS REPRESENTED ON THIS SHEET ARE THE PROPERTY OF THE ARCHITECT.
COPYRIGHT © ORDIZ-MELBY ARCHITECTS, INC. 2010
SHEET TITLE
LIGHTING PLAN BUILDING A

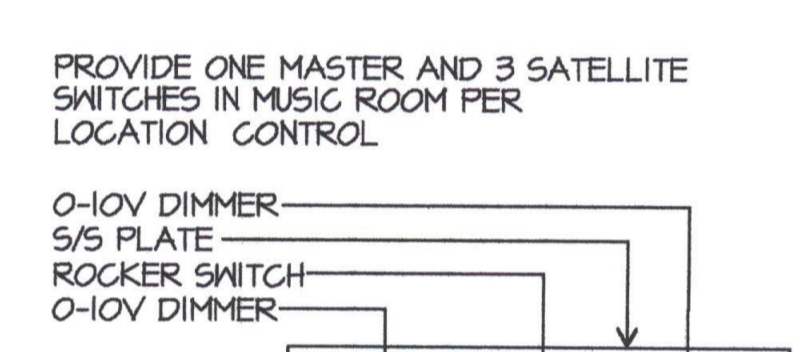
SHEET IDENTIFICATION NUMBER
E-132A
SHEET OF

RFI 182
REQUEST: RDM Electric - 10/19/12
Reference Sheet E-132A
The Electrical Plans for Building A show a handwritten note for a light fixture outside of Room A109. There is a pre-issued RFI from Addendum #1 that states that this fixture is a Type EL. However, the voltage for a Type EL light fixture is 3 and the voltage shown on the fixture is located outside of Room A109 a Type EL or a Type EC light fixture? Please advise.
ANSWER: John Maloney - JMPE - 11/2/12
Type EC

LIGHTING PLAN NOTES

- LIGHTING FURNISHED WITH WALK IN.
- LUTRON CONTROL CABLE TO GRAFIK EYE.
- SENSOR SWITCH #CMR-PDT-277V.
- CONNECT LIGHTS UNDER HOOD.
- CONNECT TO RECEPTACLE UNDER CABINET.
- GRAFIK EYE PANEL.
- HANG FIXTURES AT 12" TO TOP, 18" TO TOP AND 24" TO TOP.
- 0-10V WALL BOX DIMMER.
- BYPASS/OVERRIDE SWITCH.
- CONNECT MOTION SENSORS IN PARALLEL.
- EMERGENCY EXTERIOR FIXTURES SHALL HAVE EQUIPMENT GROUNDING CONDUCTOR, NEUTRAL, SWITCHED HOT AND HOT TYPICAL.
- 600V 18 PAIR SHIELDED CABLE FOR DIMMING, TYPICAL.
- REFER TO SHEET A101A FOR LOCATION OF FIRE BARRIERS. SEE DETAILS 'A', 'B' AND 'C' ON SHEET E-007 FOR FIRE BARRIER PENETRATION REQUIREMENTS.
- AT WALLS ABLE TO RESIST THE PASSAGE OF SMOKE, CAULK ALL PENETRATIONS.

LINE TYPE	WALL TYPE
(B) - - - - -	FIRE BARRIER WALL
(H) - - - - -	SMOKE SEPARATION



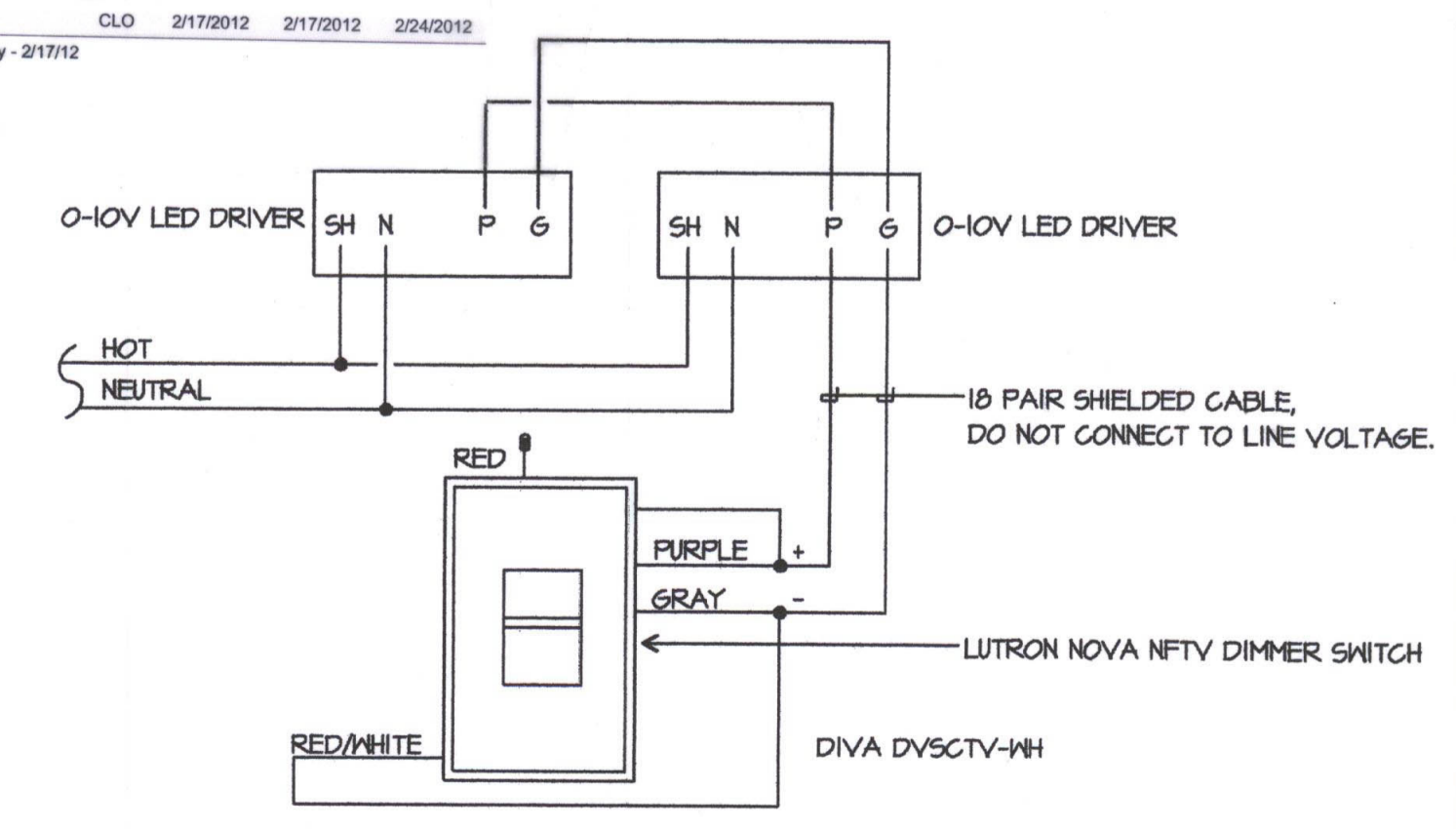
SWITCHBANK DETAIL

Light Fixture In Room A141

- GYMNASIUM/CAFETERIA GRAFIK EYE ZONES**
- SCONES 4 x 35=140
 - LED DOWNLIGHTS 3 x 14= 42
 - STAGE LED DOWNLIGHTS 7 x 14= 98
 - TRACK ELV 8 x 50= 400
 - TRACK ELV 8 x 50= 400
 - OS LINK: HI BAY FLUORESCENTS

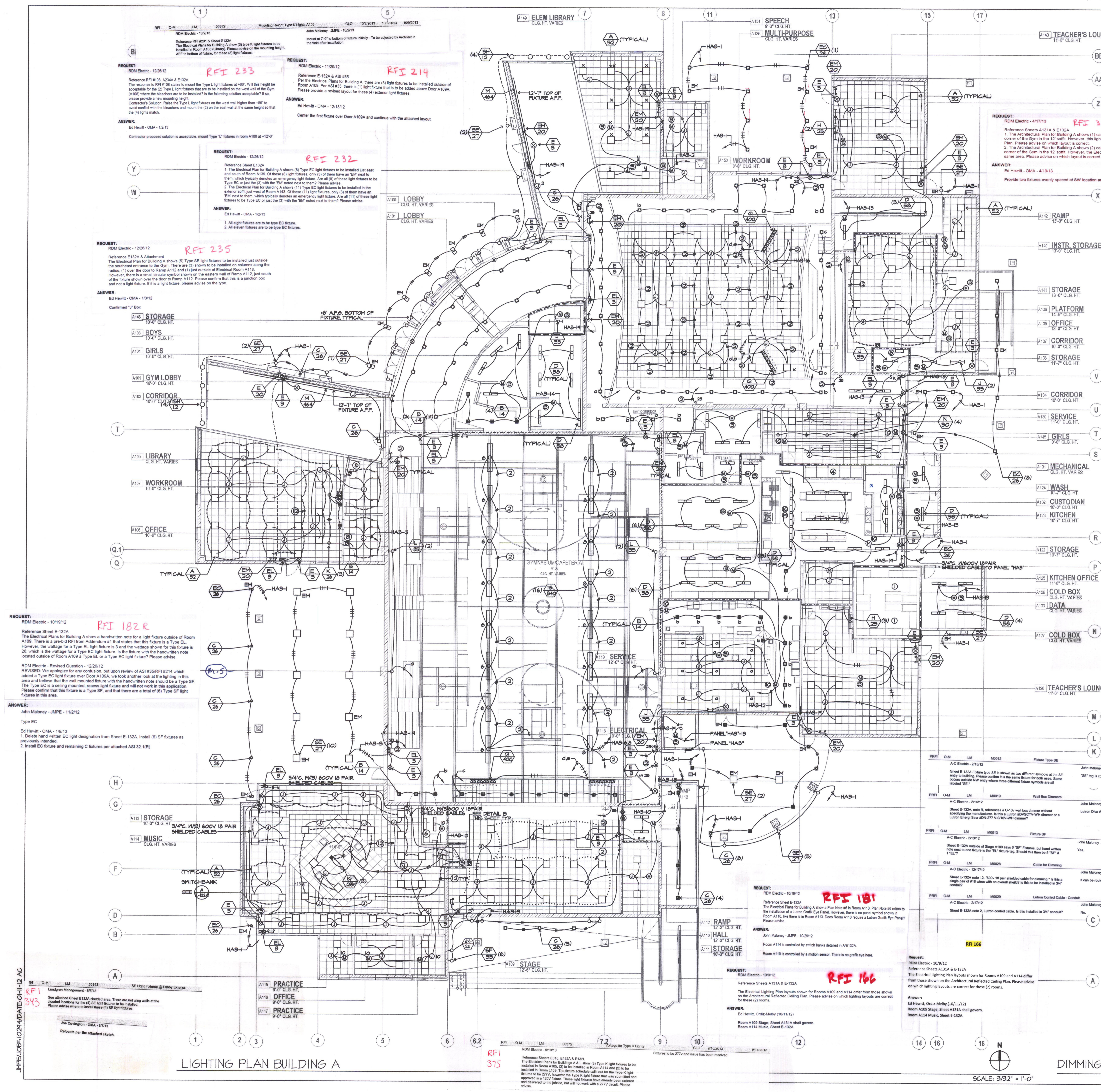
MULTI-PURPOSE ROOM GRAFIK EYE ZONES

- REAR LED DOWNLIGHTS 8 x 14 = 112
- SIDE LED DOWNLIGHTS 23 x 14 = 322
- STAGE LED DOWNLIGHTS 6 x 14 = 84
- TRACK ELV 8 x 50 = 400
- TRACK ELV 8 x 50 = 400



DIMMING WIRING DIAGRAM

SCALE: 3/32" = 1'-0"



RFI 233
REQUEST: RDM Electric - 12/26/12
Reference RFI #08, A23AA & E132A
The response to RFI #08 states to mount the Type I light fixtures at 48". Will this height be acceptable for the (2) Type I light fixtures that are to be installed on the west wall of the Gym A109 where the bleachers are to be installed? In the following solution acceptable? In please provide a new mounting height.
CONSTRAINTS: Light fixtures on the west wall higher than 48" to avoid conflict with the bleachers and mount the (2) on the east wall at the same height so that the (4) lights match.
ANSWER: Ed Hewitt - OMA - 1/3/13
Contractor proposed solution is acceptable, mount Type "I" fixtures in room A109 at 42".

RFI 232
REQUEST: RDM Electric - 12/26/12
Reference Sheet E132A
1. The Electrical Plan for Building A shows (8) Type EC light fixtures to be installed just east and south of Room A130. Of these (8) light fixtures, only (3) of them have an "EM" next to them, which typically denotes an emergency light fixture. Are all (8) of these light fixtures to be Type EC or just the (3) with the "EM" noted next to them? Please advise.
2. The Electrical Plan for Building A shows (11) Type EC light fixtures to be installed in the exterior soffits just west of Room A143. Of these (11) light fixtures, only (3) of them have an "EM" next to them, which typically denotes an emergency light fixture. Are all (11) of these light fixtures to be Type EC or just the (3) with the "EM" noted next to them? Please advise.
ANSWER: Ed Hewitt - OMA - 1/3/13
1. All eight fixtures are to be Type EC fixture.
2. All eleven fixtures are to be Type EC fixtures.

RFI 235
REQUEST: RDM Electric - 12/26/12
Reference E132A & Addendum
The Electrical Plan for Building A shows (5) Type SF light fixtures to be installed just outside the southeast entrance to the Gym. There are (3) shown to be installed on columns along the radius, (1) over the door to Rm A112 and (1) just outside of Electrical Room A118. However, there is a small circular symbol shown on the eastern wall of Rm A112, just south of the fixture shown over the door to Rm A112. Please confirm that this is a junction box and not a light fixture. If it is a light fixture, please advise on the type.
ANSWER: Ed Hewitt - OMA - 1/3/12
Confirmed "J" Box

RFI 182 R
REQUEST: RDM Electric - 10/19/12
Reference Sheet E-132A
The Electrical Plans for Building A show a handwritten note for a light fixture outside of Room A109. There is a pre-issued RFI from Addendum #1 that states that this fixture is a Type EL. However, the voltage for a Type EL light fixture is 3 and the voltage shown on the fixture is 26, which is the voltage for a Type EC light fixture. Is the fixture with the handwritten note located outside of Room A109 a Type EL or a Type EC light fixture? Please advise.
RDM Electric - Revised Question - 12/26/12
REVISED: We apologize for any confusion, but upon review of ASI#35RFI#214 which added a Type EC light fixture over Door A109A, we took another look at the lighting in this area and believe that the wall mounted fixture with the handwritten note should be a Type SF. The Type EC is a ceiling mounted, recess light fixture and will not work in this application. Please confirm that this fixture is a Type SF, and that there are a total of (6) Type SF light fixtures in this area.
ANSWER: John Maloney - JMPE - 11/2/12
Type EC
Ed Hewitt - OMA - 1/9/13
1. Delete hand written EC light designation from Sheet E-132A. Install (6) SF fixtures as previously intended.
2. Install EC fixture and remaining fixtures per attached ASI 32.1(R)

RFI 181
REQUEST: RDM Electric - 10/19/12
Reference Sheet E-132A
The Electrical Plans for Building A show a Plan Note #6 in Room A110. Plan Note #6 refers to the installation of a Lutron Grafik Eye Panel. However, there is no panel symbol shown in Room A110. Is there in Room A113. Does Room A110 require a Lutron Grafik Eye Panel? Please advise.
ANSWER: John Maloney - JMPE - 10/29/12
Room A114 is controlled by switch banks detailed in A/E132A.
Room A110 is controlled by a motion sensor. There is no grafik eye here.

RFI 166
REQUEST: RDM Electric - 10/9/12
Reference Sheets A131A & E-132A
The Electrical Lighting Plan layouts shown for Rooms A109 and A114 differ from those shown on the Architectural Reflected Ceiling Plan. Please advise on which lighting layouts are correct for these (2) rooms.
ANSWER: Ed Hewitt, Ordiz-Melby (10/11/12)
Room A109 Stage, Sheet A131A shall govern.
Room A114 Music, Sheet E-132A.

RFI 375
Request attached Sheet E132A qualified areas. There are not any walls at the specified locations for the (4) SE light fixtures to be installed. Please advise where to install these (4) SE light fixtures.
John Covington - OMA - 6/7/13
Relocate per the attached sheets.

RFI 375
REQUEST: RDM Electric - 3/19/13
Reference Sheet E132A & E132C
The Electrical Plans for Building A show (3) Type K light fixtures to be installed in Room A109. (2) to be installed in Room A114 and (2) to be installed in Room A109. The fixture schedule calls out for the Type I light fixture to be 277V. However, the Type I light fixture that was submitted and approved is a 120V fixture. These light fixtures have already been ordered and delivered to the jobsite, but will not work with a 277V circuit. Please advise.
ANSWER: Ed Hewitt - OMA - 6/7/13
Relocate per the attached sheets.

LIGHTING PLAN BUILDING A