

Answer
 From: John Maloney, AMPE
 0-135 HP, 120 V, 10-EF-A5
 Connect to LAB-2 with EF-A6

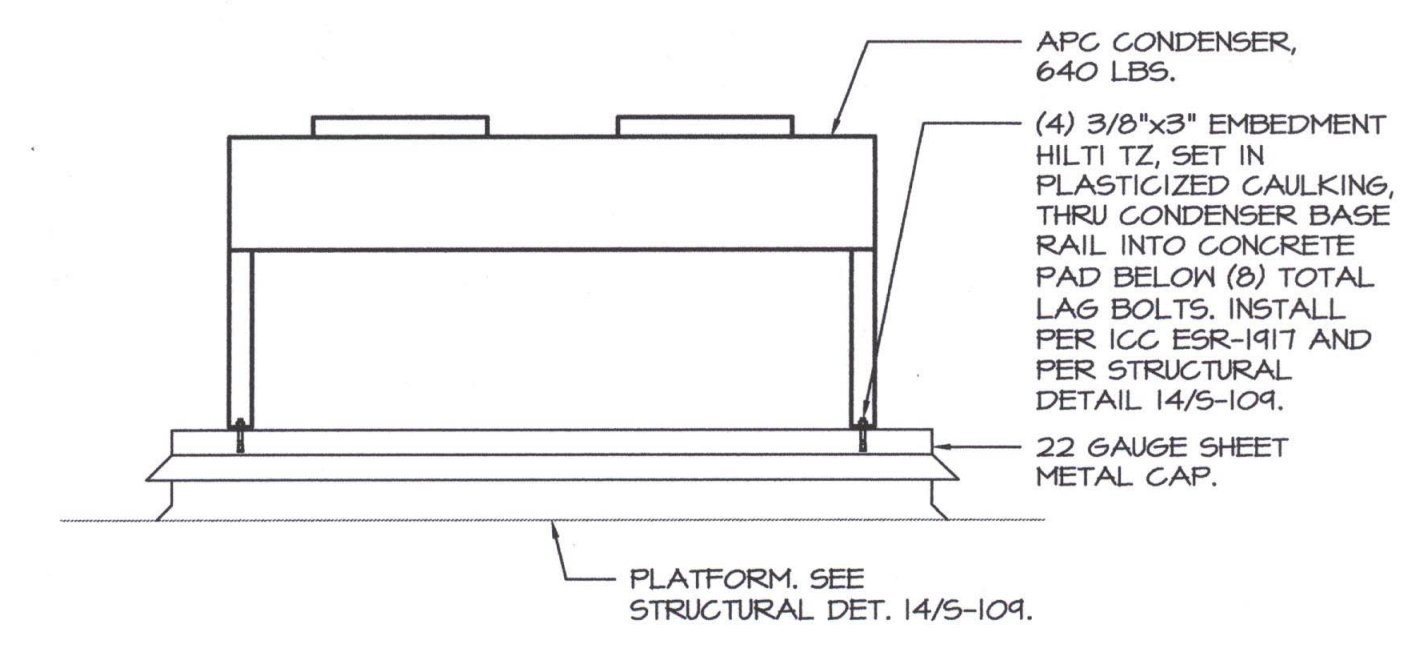
RFI
 335

RDM Electric - 5/24/13
 Reference Sheets M-111A & E-111A
 The Mechanical Plans for Building A show exhaust fan EF-5 to be installed on the roof just off of Office 78. However, the Electrical Plans for Building A do not show this exhaust fan or any power requirements for it. Is power required for exhaust fan EF-401? If so, please provide the candidate's size, panel designation and circuitry.

ORDIZ MELBY
 ARCHITECTS, INC.
 5500 MING AVENUE SUITE 280
 BAKERSFIELD, CALIFORNIA 93309
 TELEPHONE (661) 832-5258
 FACSIMILE (661) 832-4291

REGISTERED ARCHITECT
 LICENSE EXP. 05/01/2013
 No. C-14728
 DANNY E. ORDIZ, AIA
 ARCHITECT C-14,728
 WILLIAM J. MELBY, AIA
 ARCHITECT C-16,836

IDENTIFICATION STAMP
 DIVISION OF STATE ARCHITECT
 OFFICE OF REGULATION SERVICES
 APPL. #02-112027
 FILE # 15-6
 AC FLS-08 SS GR
 DATE JAN 2 0 2012
 PTN # 63321-112



OUTDOOR CONDENSER ANCHORAGE
 SCALE: NTS

MINIMUM OUTSIDE AIR SETTINGS

AC UNIT	CFM
A1-A	350*
A1-B	350*
A1-C	350*
A1-D	350*
A2	360*
A3	400*
A4	400
A5	700
A6	210
A7-A	375*
A7-B	375*
A8	350*
A9	305
A10	165
A11	225*
A12	100*
A13	1250

* CFM SETTING WILL BE OVERRIDDEN BY ROOM CO2 SENSOR SET TO 1000 PPM

AC UNITS REQ. AUTOMATIC SHUT-OFF PER CMC 600.0*

AC	CFM	REQ. (Y/N)
AC	CFM	REQ. (Y/N)
A1-A	5250	Y
A1-B	5250	Y
A1-C	5250	Y
A1-D	5250	Y
A2	2625	Y
A3	2625	Y
A4	2975	Y
A5	2100	Y
A6	1400	N
A7-A	5250	Y
A7-B	5250	Y
A8	2100	Y
A9	2625	Y
A10	1050	N
A11	2625	Y
A12	1050	N
A13	7000	Y

* SEE DETAIL -M-502 FOR FIRE ALARM PANEL INTERLOCK AND SHUT DOWN VIA RELAY MODULE.

NEW ELEMENTARY SCHOOL
 9801 HIGHLAND KNOLLS DR
 BAKERSFIELD CALIFORNIA 93306
 NEW MIDDLE SCHOOL
 4115 VINELAND ROAD
 BAKERSFIELD CALIFORNIA 93306

FOR:
BAKERSFIELD CITY SCHOOL DISTRICT
 1300 BAKER STREET
 BAKERSFIELD CALIFORNIA 93305

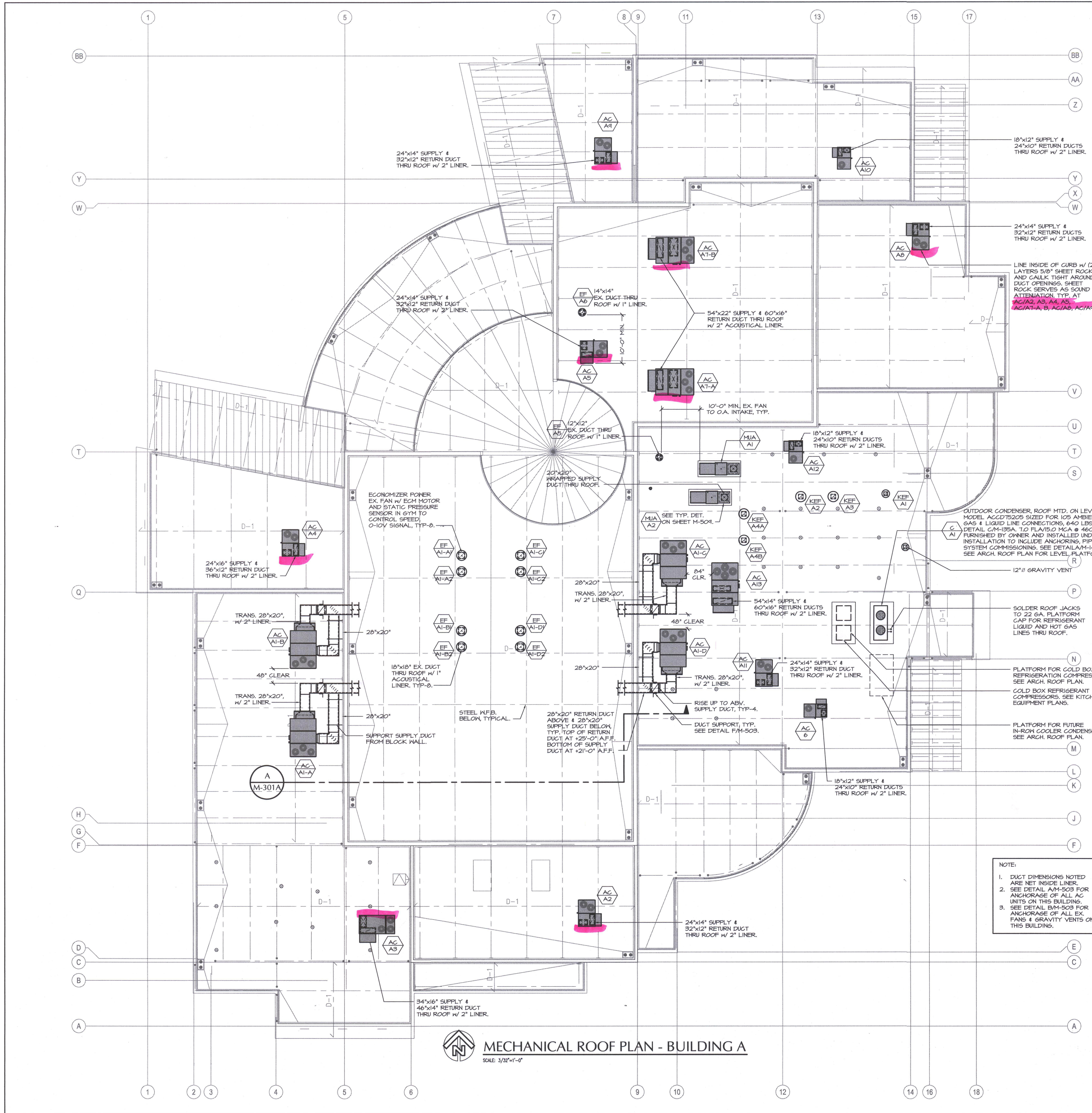
MARK DATE DESCRIPTION

MARK	DATE	DESCRIPTION

20101244
 CAD DRAWING FILE
 DRAWN BY: KW
 CHECKED BY: MB
 CHECK AND VERIFY ALL DIMENSIONS BEFORE PROCEEDING WITH THE WORK. REPORT DISCREPANCIES TO THE ARCHITECT.
 THE DRAWINGS, IDEAS, AND DESIGN REPRESENTED ON THIS SHEET ARE THE PROPERTY OF THE ARCHITECT.
 COPYRIGHT © 2010
 ORDIZ MELBY ARCHITECTS, INC. 2010

SHEET TITLE
MECHANICAL ROOF PLAN - BUILDING A
 SHEET IDENTIFICATION NUMBER
M-141A

MDC
 MECHANICAL DESIGN CONCEPTS, INC.
 5500 Ming Ave, Suite 251 Bakersfield, CA 93309
 Tel #: (661) 397-2114 Fax #: (661) 397-2116
 Job: 09091



MECHANICAL ROOF PLAN - BUILDING A
 SCALE: 3/32\"/>