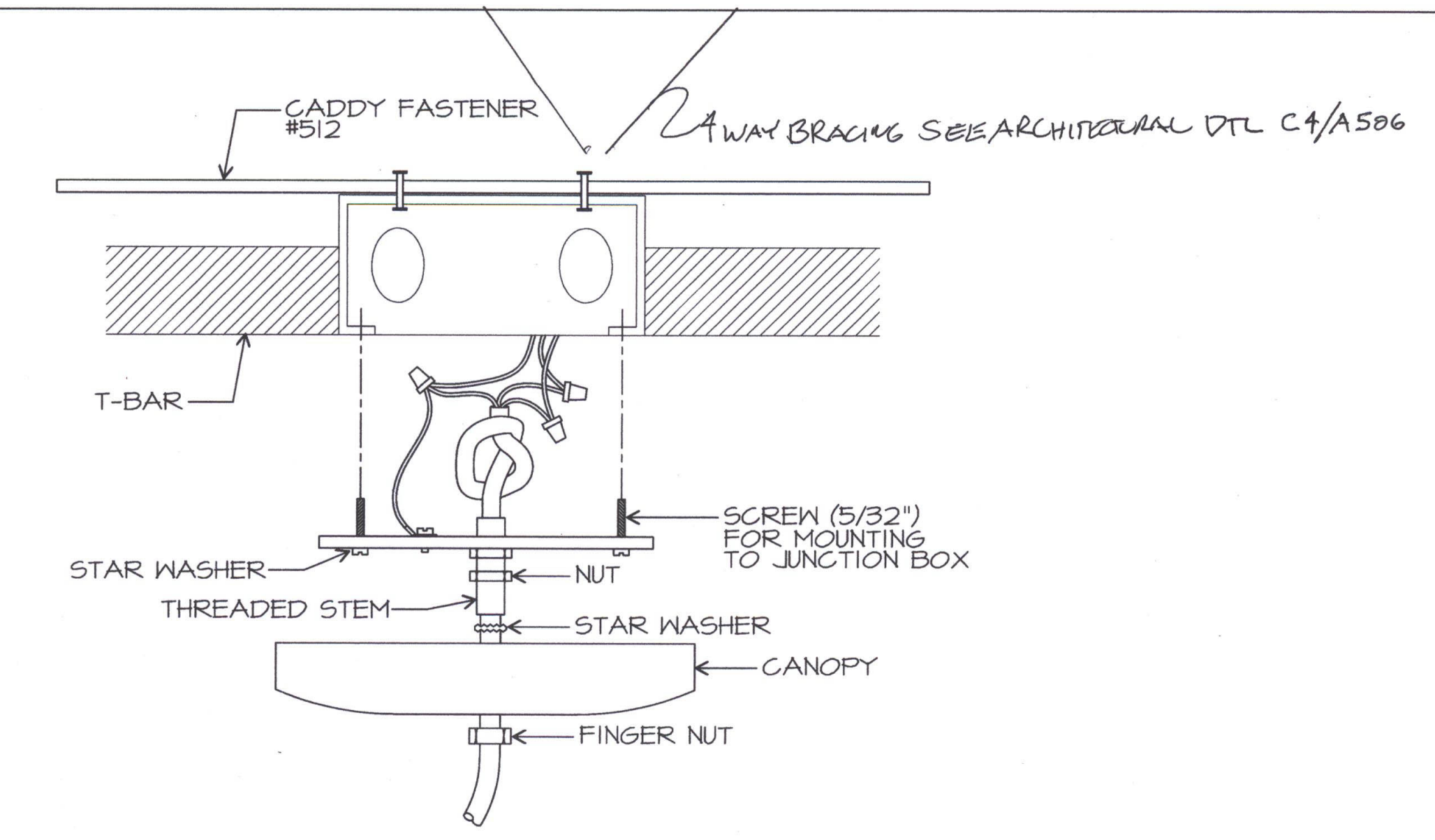
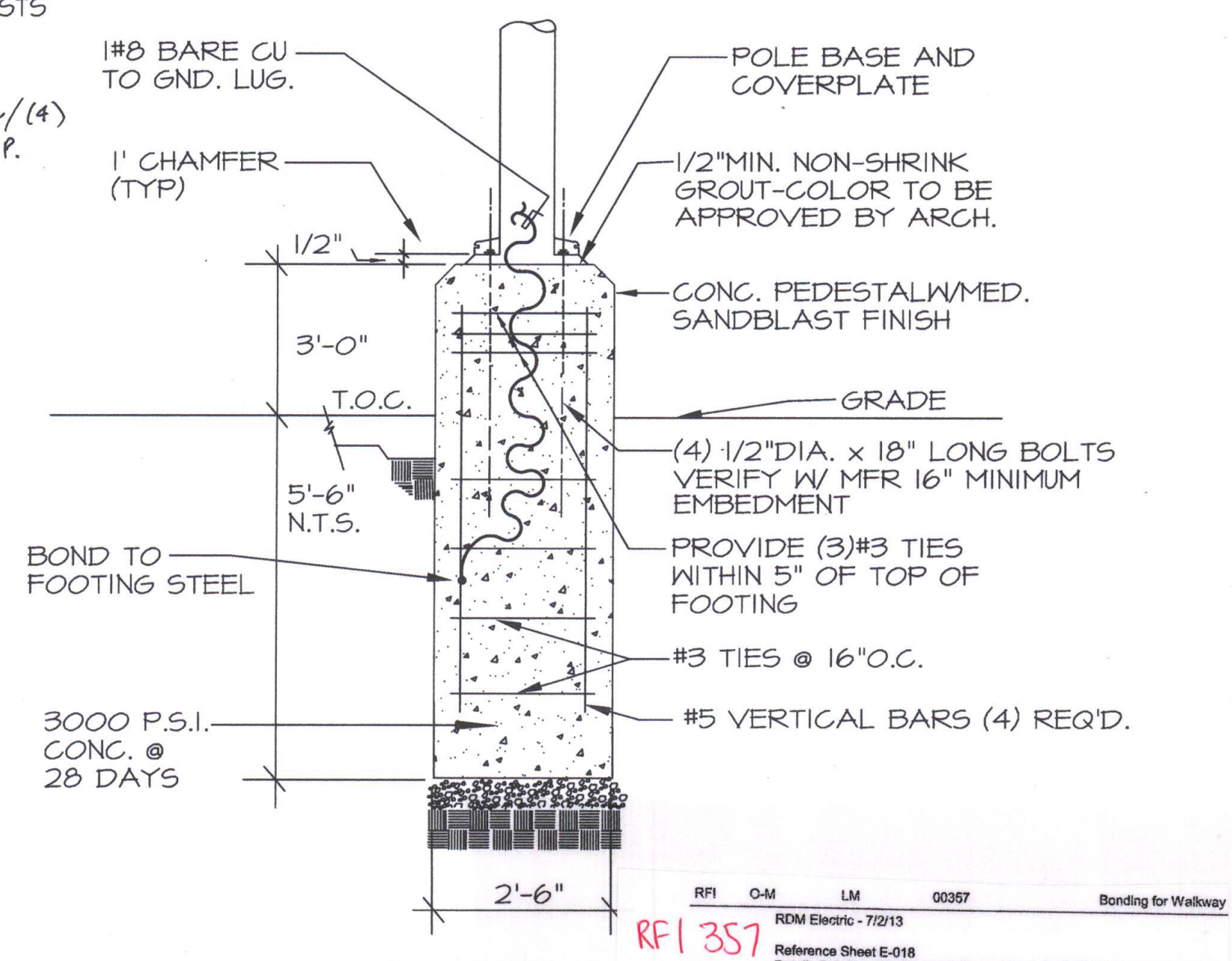


MARK	DATE	DESCRIPTION
△		
△		
△		
△		

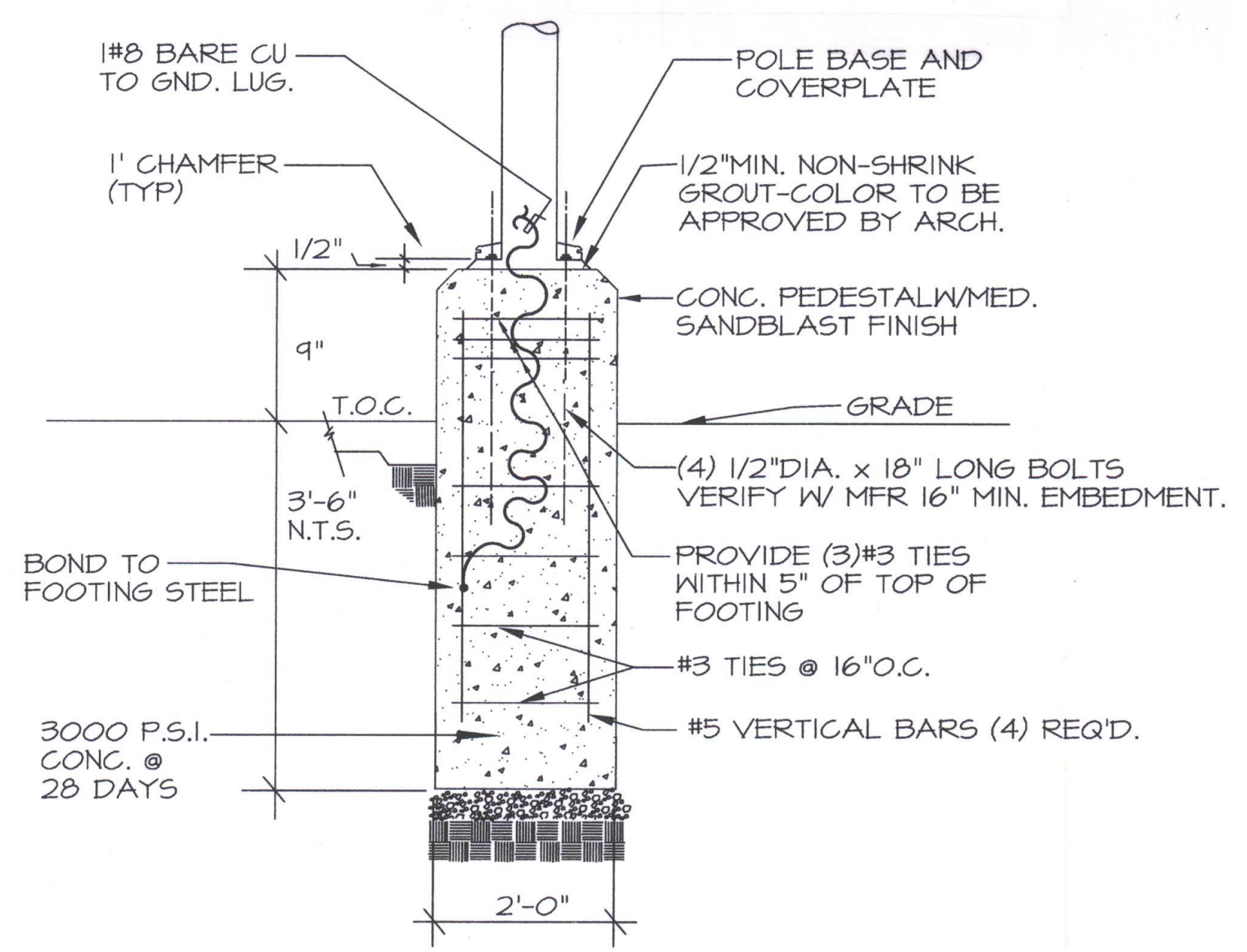


1. THREAD THE WIRE 3x18 ANG CORD THROUGH FINGER NUT, CANOPY THREADED STEM WITH NUT AND STAR WASHER.
2. ADJUST THE LENGTH OF THE CORD AND TIE A KNOT TO RELIEF.
3. CONNECT IN JUNCTION BOX.
4. SCREW ON THE CROSS BAR.
5. ADJUST THE NUTS ON THE STEM AND TIGHTEN.
6. PUT ON THE STAR WASHER AND THE CANOPY AND FINALLY TIGHTEN FINGER NUT.

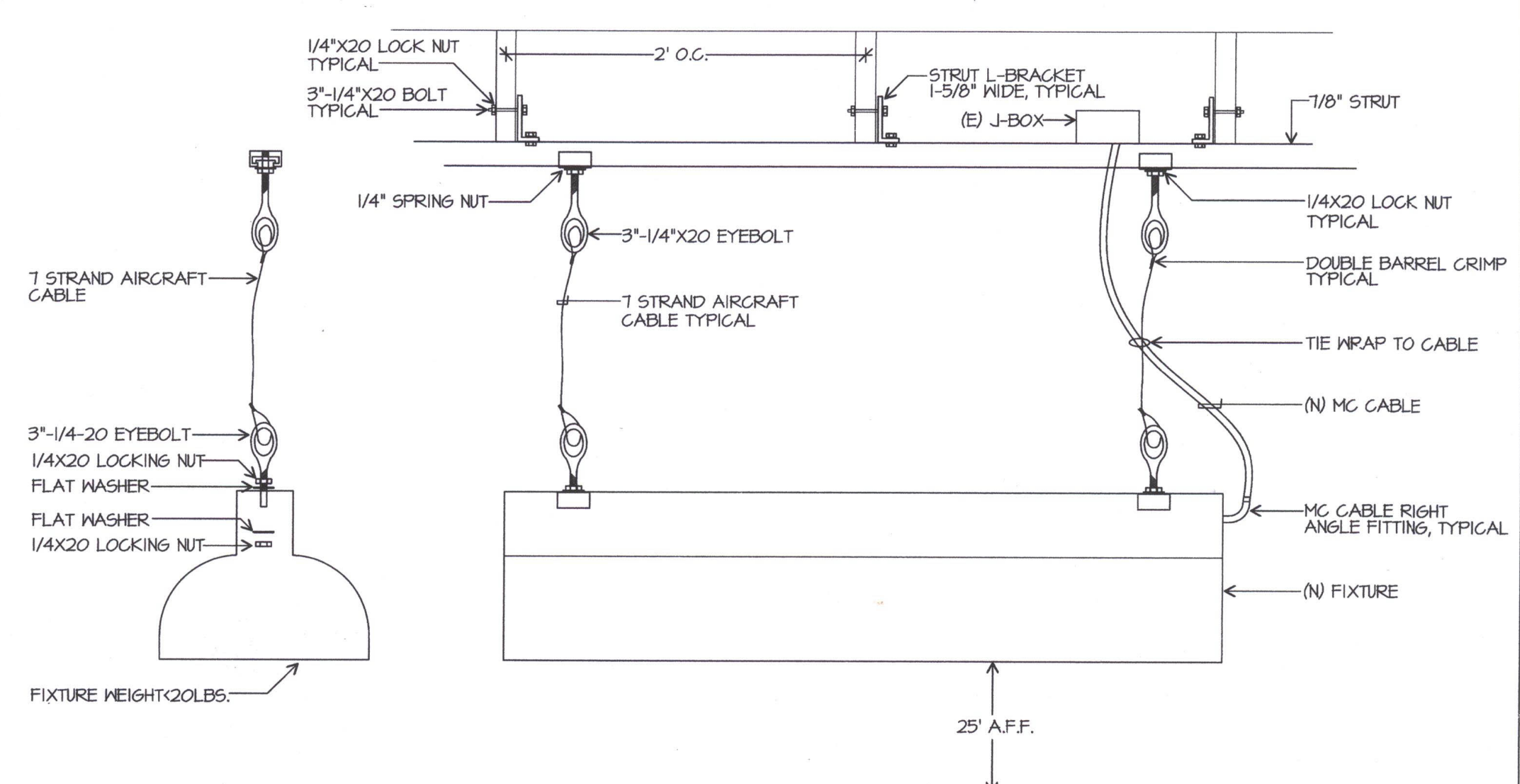
FIXTURES K & N MOUNTING DETAIL
SCALE: NONE *FLAT TO SURF 45°*



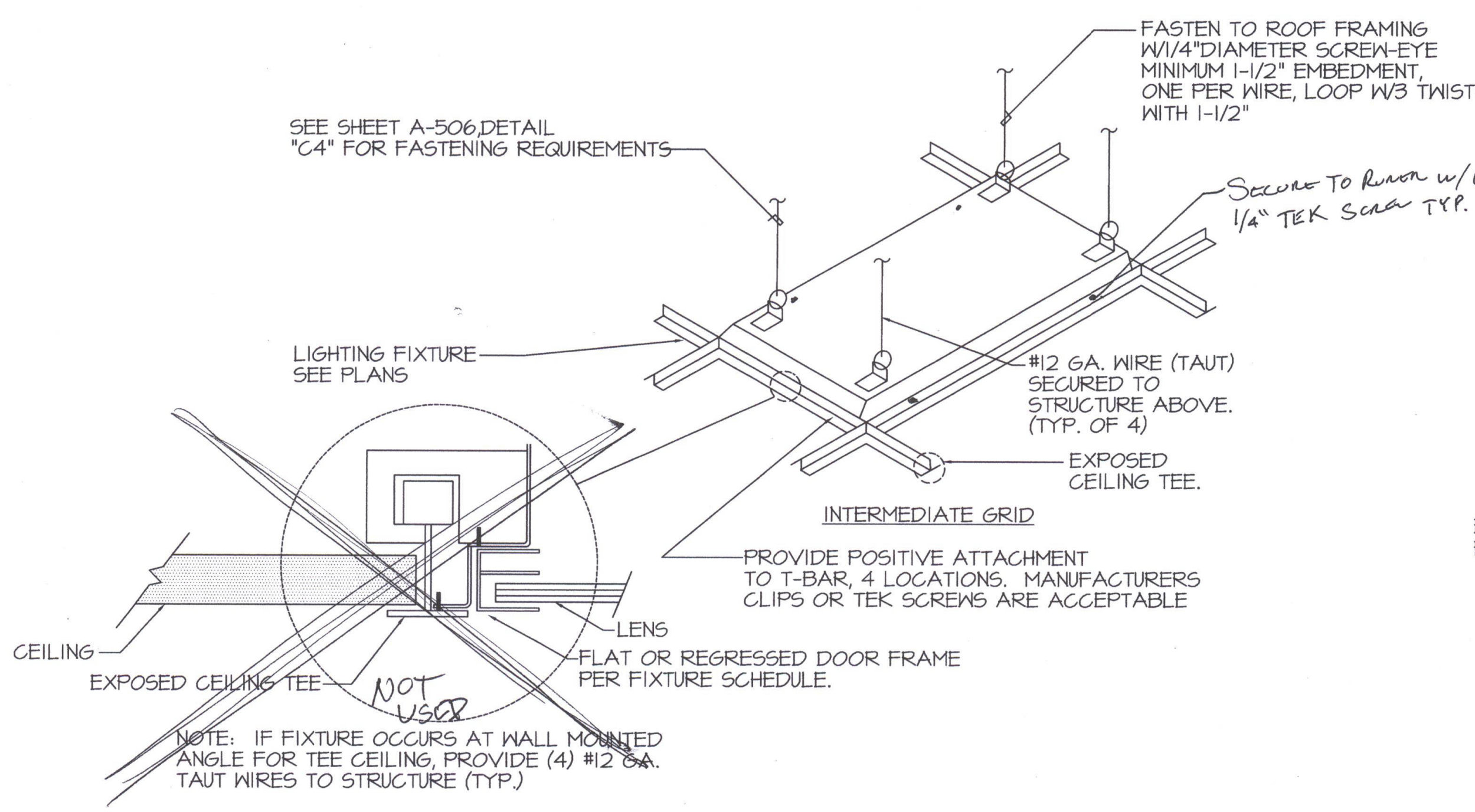
POLE BASE DETAIL
SCALE: NONE



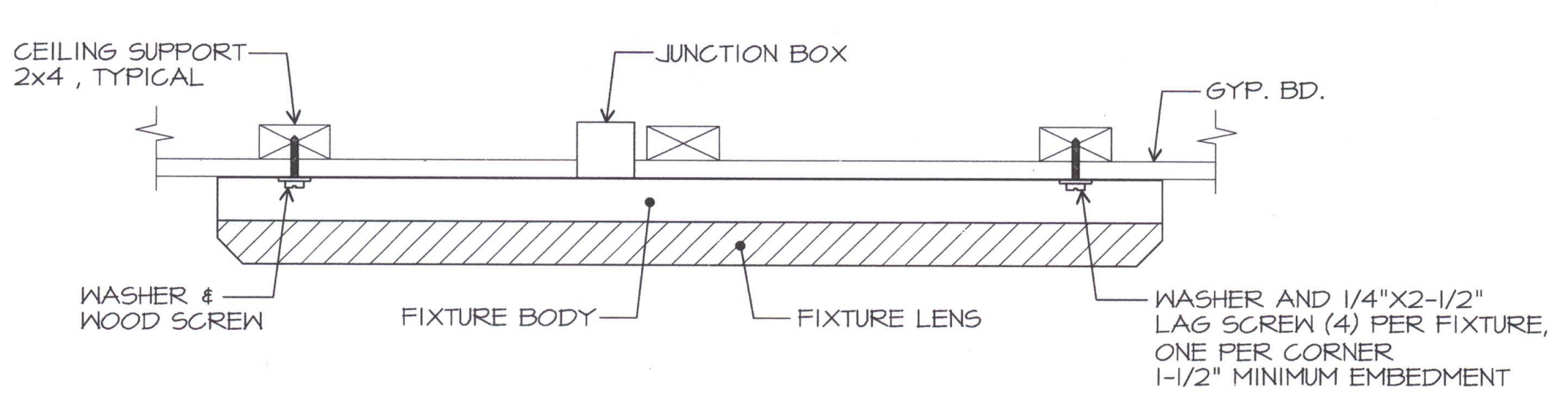
WALKWAY POLE BASE DETAIL
SCALE: NONE *MAX. HEIGHT 34'-11"*



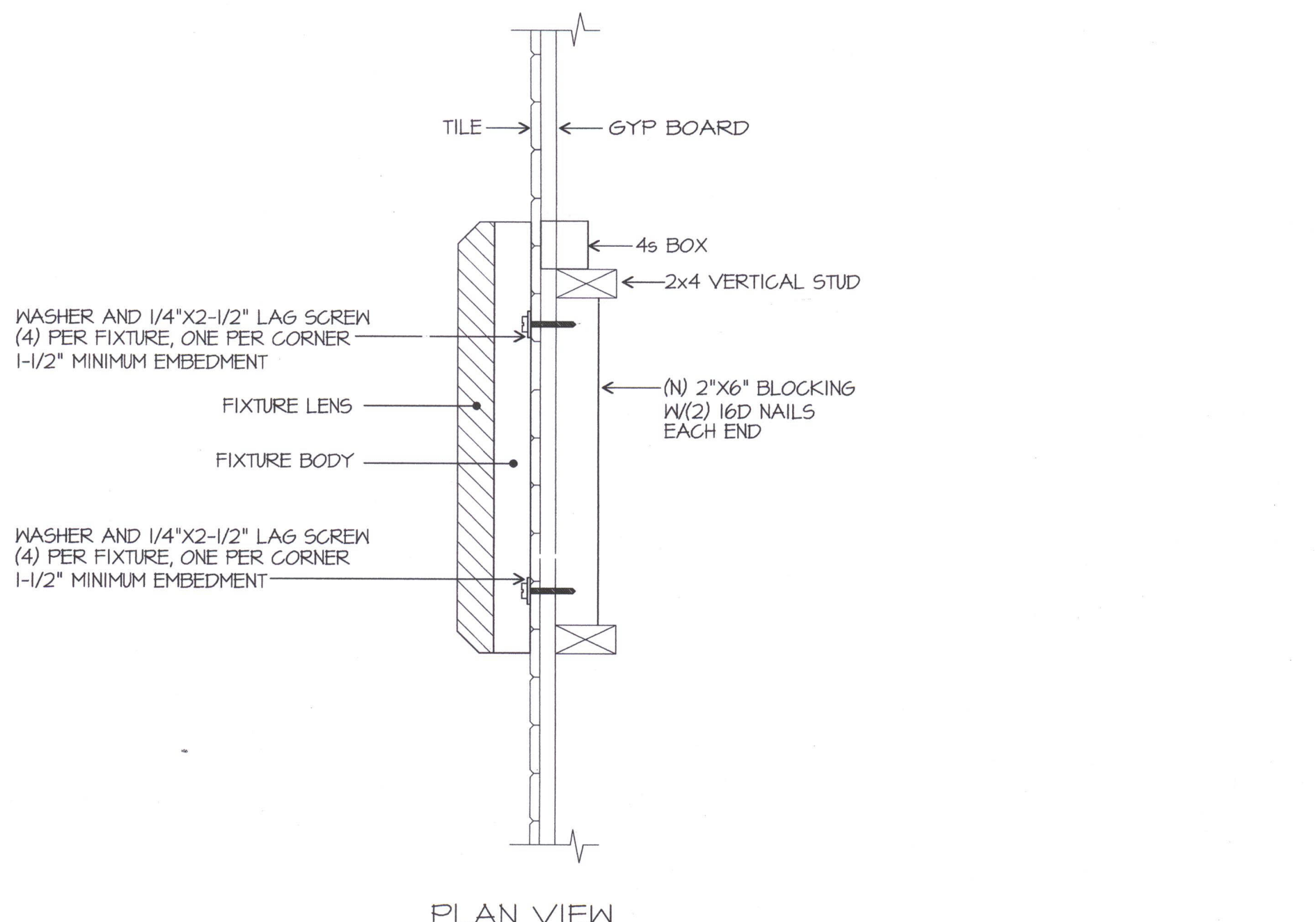
FIXTURE G MOUNTING DETAIL
SCALE: NONE *FLAT TO SURF 45°*



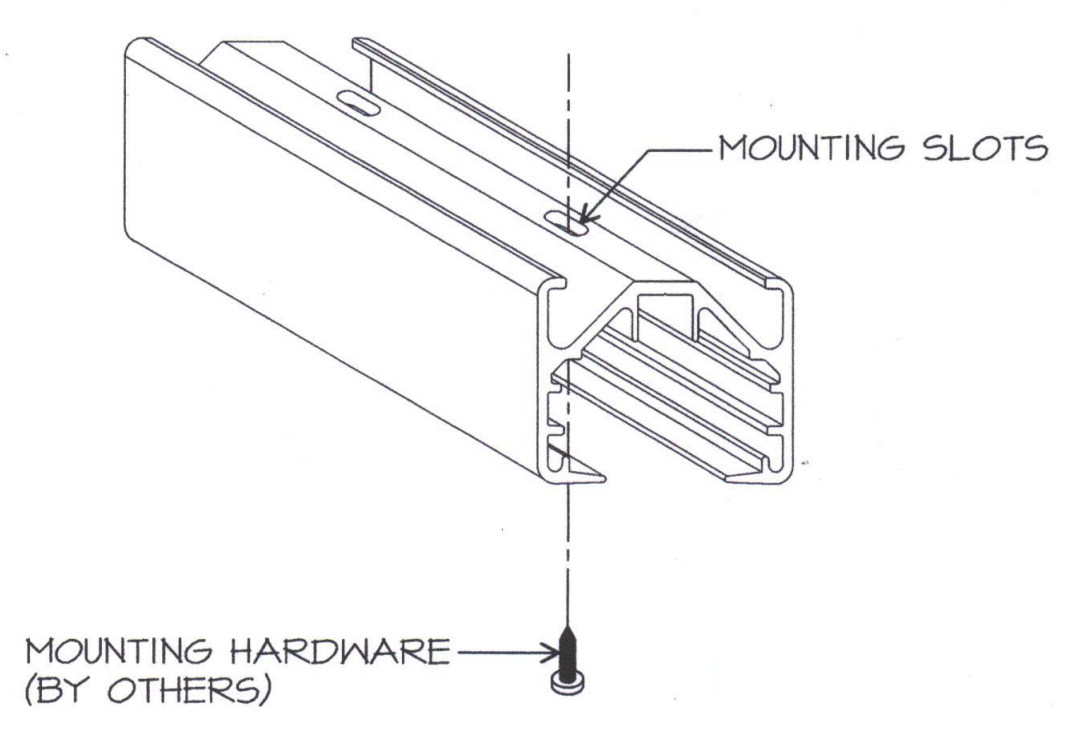
SAFETY SUPPORT DETAIL FOR RECESSED LIGHTING FIXTURE "A"
SCALE: NONE



FIXTURE "D" & "J" MOUNTING DETAIL
SCALE: NONE



FIXTURE "F" MOUNTING DETAIL
SCALE: NONE



TRACK MOUNTING DETAIL
SCALE: NONE

JMPEJOB10244/DATE:12-08-11 AC