

IDENTIFICATION STAMP
 DIVISION OF STATE ARCHITECT
 OFFICE OF REGULATION SERVICES
 APPL. #: 02-112027
 FILE #: 15-6
 AC: [Signature] FLS: [Signature] SS: G.R.
 DATE: JAN 2 0 2012
 PTN # 63321-112

NEW ELEMENTARY SCHOOL
 9801 HIGHLAND KNOLLS DR
 BAKERSFIELD CALIFORNIA 93306
 NEW MIDDLE SCHOOL
 4115 VINELAND ROAD
 BAKERSFIELD CALIFORNIA 93306

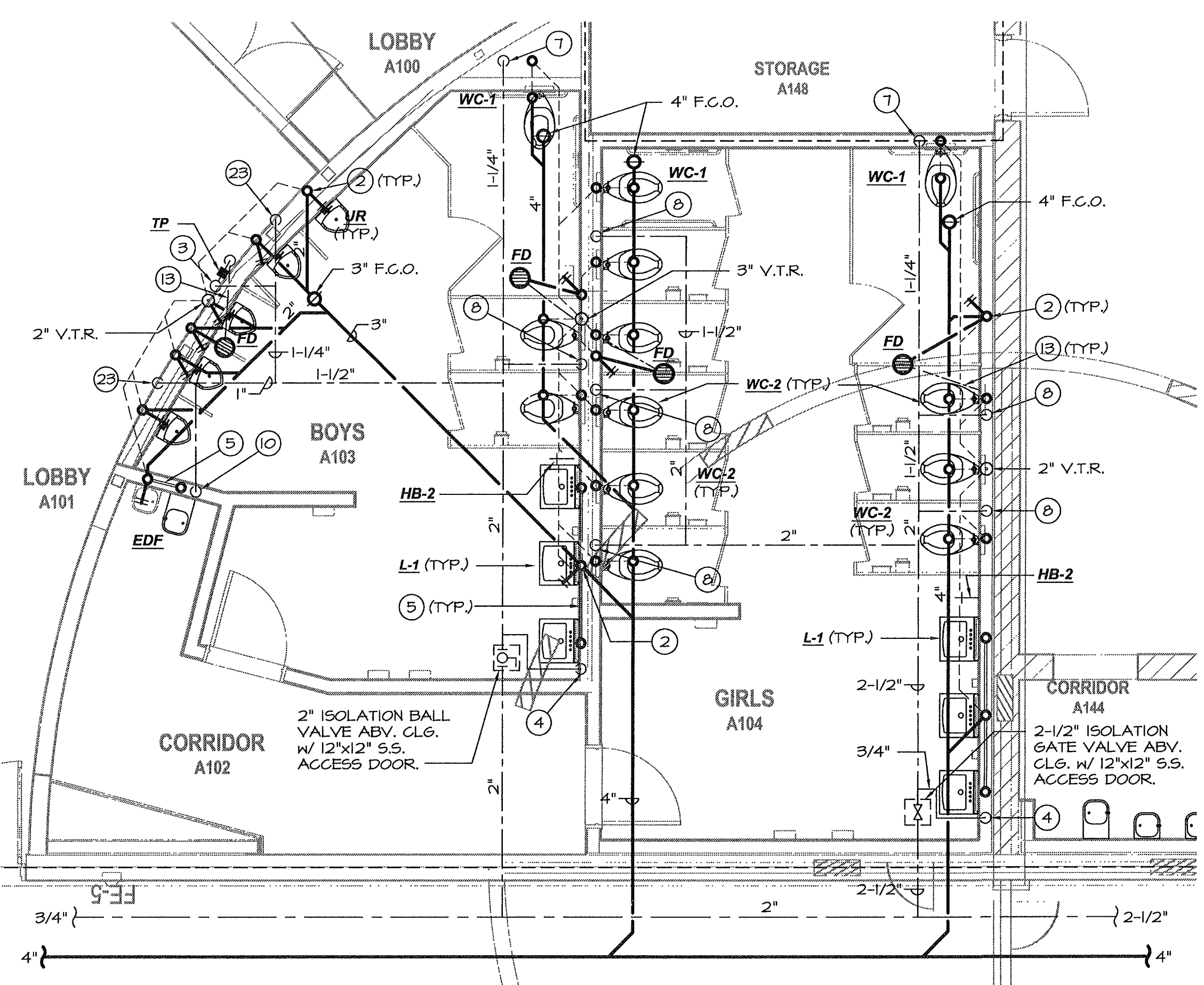
FOR:
 BAKERSFIELD CITY SCHOOL DISTRICT
 1300 BAKER STREET
 BAKERSFIELD CALIFORNIA 93305

MARK	DATE	DESCRIPTION
△		
△		
△		
△		

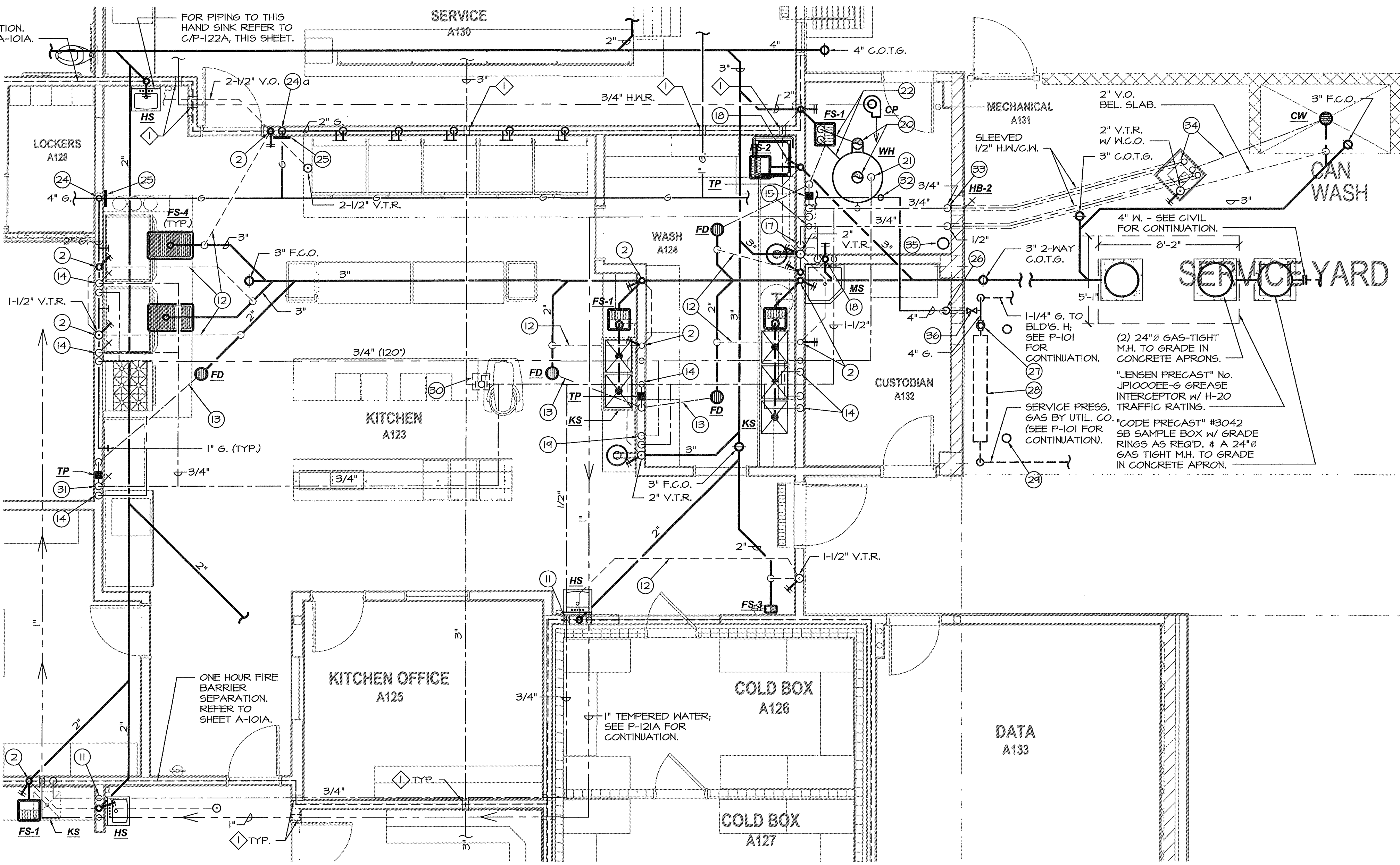
200101244
 CAD DRAWING FILE
 DRAWN BY: KW
 CHECKED BY: MB
 CHECK AND VERIFY ALL DIMENSIONS BEFORE PROCEEDING WITH THE WORK. REPORT DISCREPANCIES TO THE ARCHITECT.
 THE DRAWINGS, IDEAS AND DESIGNS REPRESENTED ON THIS SHEET ARE THE PROPERTY OF THE ARCHITECT.
 COPYRIGHT: ORDIZ-MELBY ARCHITECTS, INC. 2010
 SHEET TITLE

PARTIAL PLUMBING FLOOR PLANS
 BUILDING A
 SHEET IDENTIFICATION NUMBER
P-122A

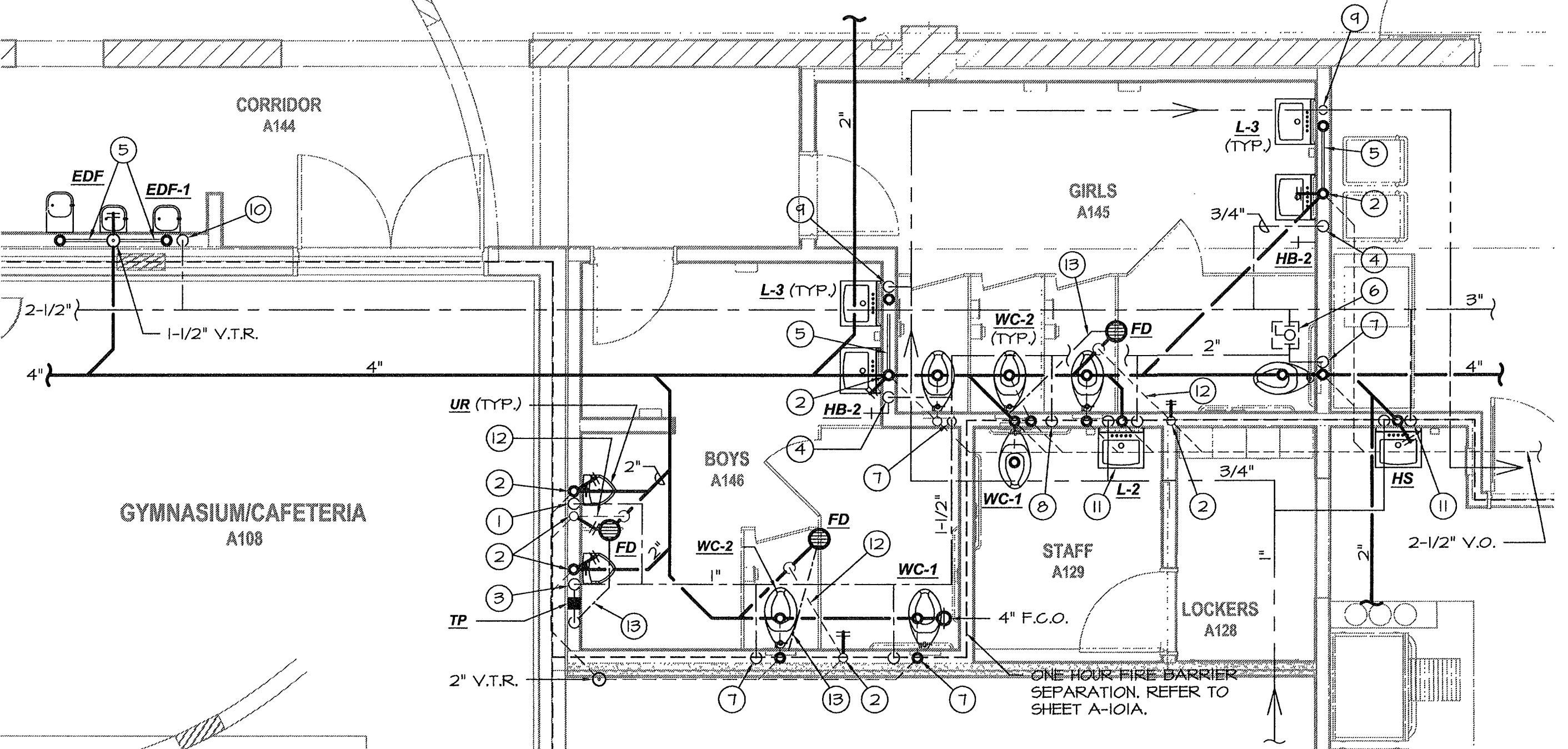
MDC
 MECHANICAL DESIGN CONCEPTS, INC.
 5500 Ming Ave, Suite 251 Bakersfield, CA 93309
 Tel #: (661) 397-2114 Fax #: (661) 397-2114
 Job: 09091



PARTIAL PLUMBING FLOOR PLAN
 (A103 & A104 BOYS & GIRLS RESTROOMS)
 SCALE: 1/4"=1'-0"



PARTIAL PLUMBING FLOOR PLAN (KITCHEN & CUSTODIAN ROOMS)
 SCALE: 1/4"=1'-0"



PARTIAL PLUMBING FLOOR PLAN
 (A145 & A146 BOYS & GIRLS RESTROOMS)
 SCALE: 1/4"=1'-0"

PLUMBING KEYNOTES:

- 3/4" C.W. down to urinal w/ "Shoktrol".
- 2" W., 2" W.C.O., 1 1/2" V.O.
- 3/4" C.W. down to urinal, 1/2" on to trap primer, ("Shoktrol").
- 3/4" C.W. down to header w/ 3/4" to H.B., 1/2" to each lav.
- 1 1/2" trap arm
- 2" isolation ball valve above ceiling with 12"x12" S.S. access door.
- 1 1/2" C.W. down w/ "Shoktrol", reduce to 1" @ flush valve.
- 1 1/2" C.W. down to header w/ 1 1/2" to each W.C., "Shoktrol", reduce to 1" @ flush valve.
- 3/4" H.W. down to header w/ 1/2" to each lav.
- 3/4" C.W. down, 2" W., 2" W.C.O., 1 1/2" V.O. or V.T.R. (see plan).
- 3/4" H.W./C.W. down, 2" W., 2" W.C.O., 1 1/2" V.O. for V.T.R. - see plan)
- 2" V.O. below slab.
- 1/2" trap primer line below slab.
- 1/2" H.W./C.W. down to kitchen equipment or faucets as furnished by others - 15400 to rough-in and connect.
- 3/4" (120 degree) H.W./C.W. down to tempering valve w/ 1" (110 degree) tempered water tap.
- 3/4" C.W. down to H.B.
- 1" (120 degree) H.W. down to (2) 3/4" ball valves - one for booster heater and one for the dishwasher.
- 3" W., 3" W.C.O., 2" V.O.
- 3/4" (120 degree) H.W./C.W. down to pre-rinse with stops.
- 3" P.V.C. fuel/combustion air intake to concentric kit with roof penetrations.
- 1 1/2" valved C.W. to H.W. from W.H.
- Full-sized T.&P. relief and flare condensate drains to spill @ F.S.
- 1" C.W. down w/ 3/4" to each urinal ("Shoktrol")
- 2" gas down thru auto gas valve by fire suppression contractor - 15400 to install & continue down to header with 1" valved stub per appliance (within 4 ft.). Install valve behind access panel (See keynote #25).
- 2" gas down to header with 3/4" valved stub per appliance (stacked covers). Install redundant shut-off valve behind access panel (See keynote #25).
- 12"x12" S.S. access door.
- 4" gas up to attic (rise exposed).
- *KODOP # 314, 2" seismic valve.
- Gas meter by gas utility company with 4,519 C.F.H. capacity.
- Pipe bollard: 4" Sch. 40 Galv., 48" tall with 36" bury: fill with concrete (typ.). 1 1/2" diameter footing.
- 1 1/2" C.W. ball valve above ceiling with 12"x12" S.S. access door.
- 3/2" C.W. on down to trap primer.
- 1 1/2" gas down with S.O.V. and W.H. connection.
- 3/2" H.W./C.W. up in furred column to can-wash valve box w/ 1/2" tempered water down to below grade; sleeve & insulate on to can-wash drain.
- Fire sprinkler riser location. Refer to sheet FP-121A.
- Isolation shut-off valve located above grade.

H.W. CALC's: (KITCHEN)

(2) POT FILLERS	20 GPH
(1) DISHWASHER	42.4 GPH
(1) 2 COMP. SINK	40 GPH
(1) 3 COMP. SINK	40 GPH
(1) MOP SINK	15 GPH
(2) PRE-RINSE	20 GPH
(1) HAND SINKS	15 GPH
(5) LAV'S	25 GPH
(1) PREP SINK	10 GPH
TOTAL	222 =

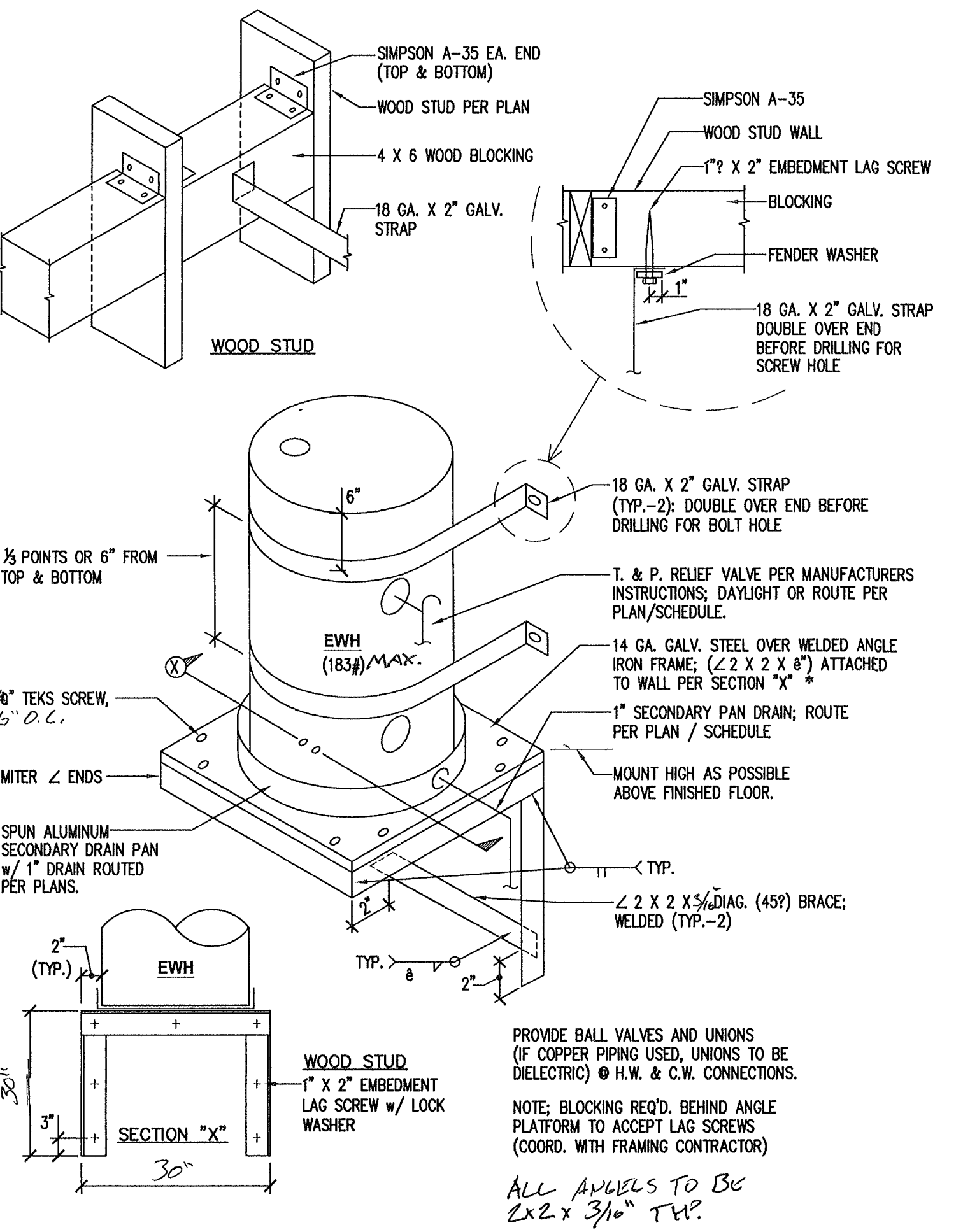
*A.O. SMITH® No. BTH-141 w/ 203 GPH CAPACITY @ 80' RISE

GREASE TRAP CALC. (TABLE 10-3)

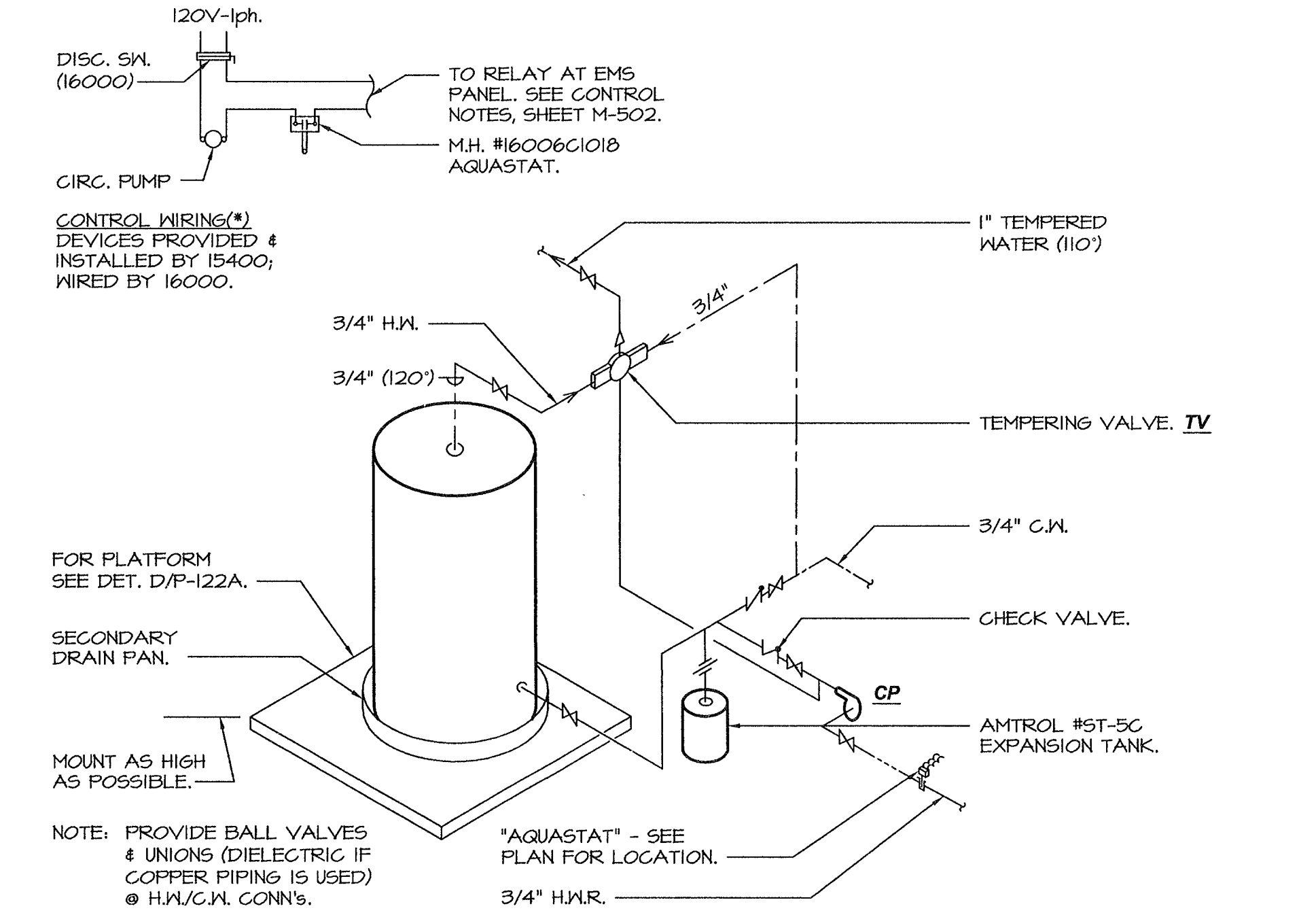
DISHWASHER	4 D.F.U.	= 4
MOP SINK	3 D.F.U.	= 3
3 COMP. SINK	4 D.F.U.	= 3
2 COMP. SINK	3 D.F.U.	= 3
4 F.D.'s	2 D.F.U.	= 2
TOTAL		= 22 =

1,000 GALLON TANK.

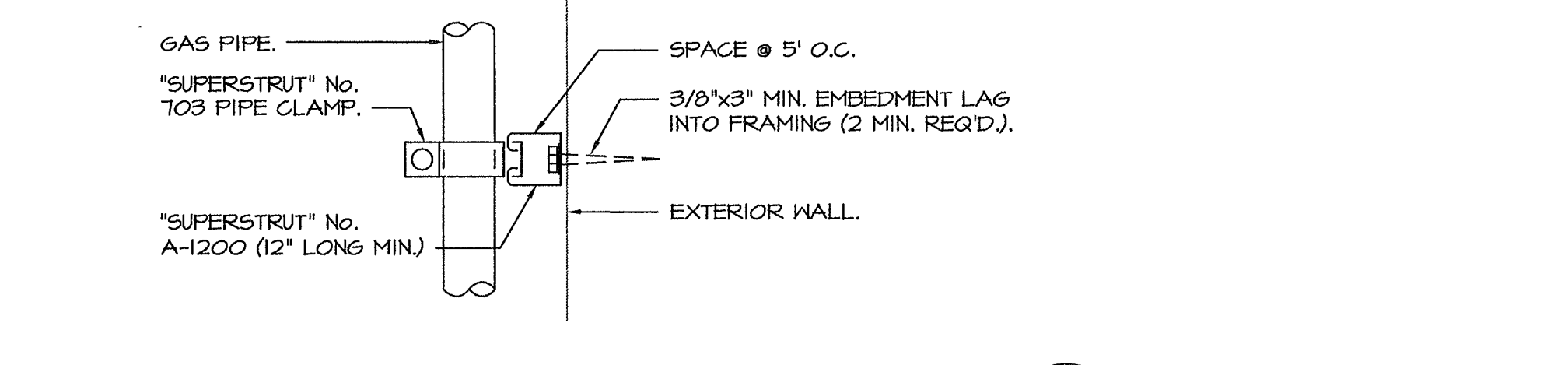
FIRE CAULK NOTE:
 FIRE CAULK PER D/P-121A.
 FIRE CAULK PER E/P-121A.
 DETAILS APPLY TO ALL PIPING PENETRATIONS OF ALL FIRE BARRIER SEPARATION. REFER TO SHEET A-101A.



E.W.H. MOUNTING DETAIL (WOOD STUDS)
 SCALE: N.T.S.
 * PAINT TO MATCH ADJACENT WALLS.



E.W.H. PIPING DIAGRAM (SEE DETAIL D FOR STRAPPING)
 SCALE: N.T.S.



PIPE ON WALL
 SCALE: N.T.S.