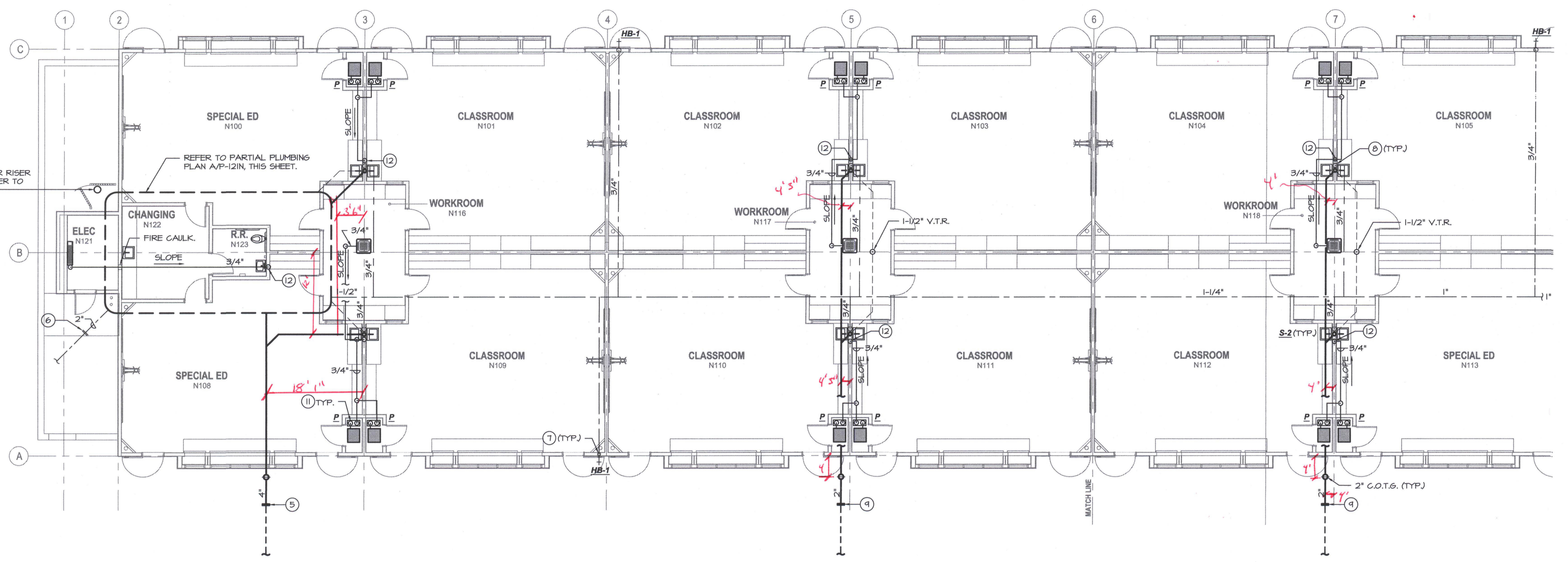


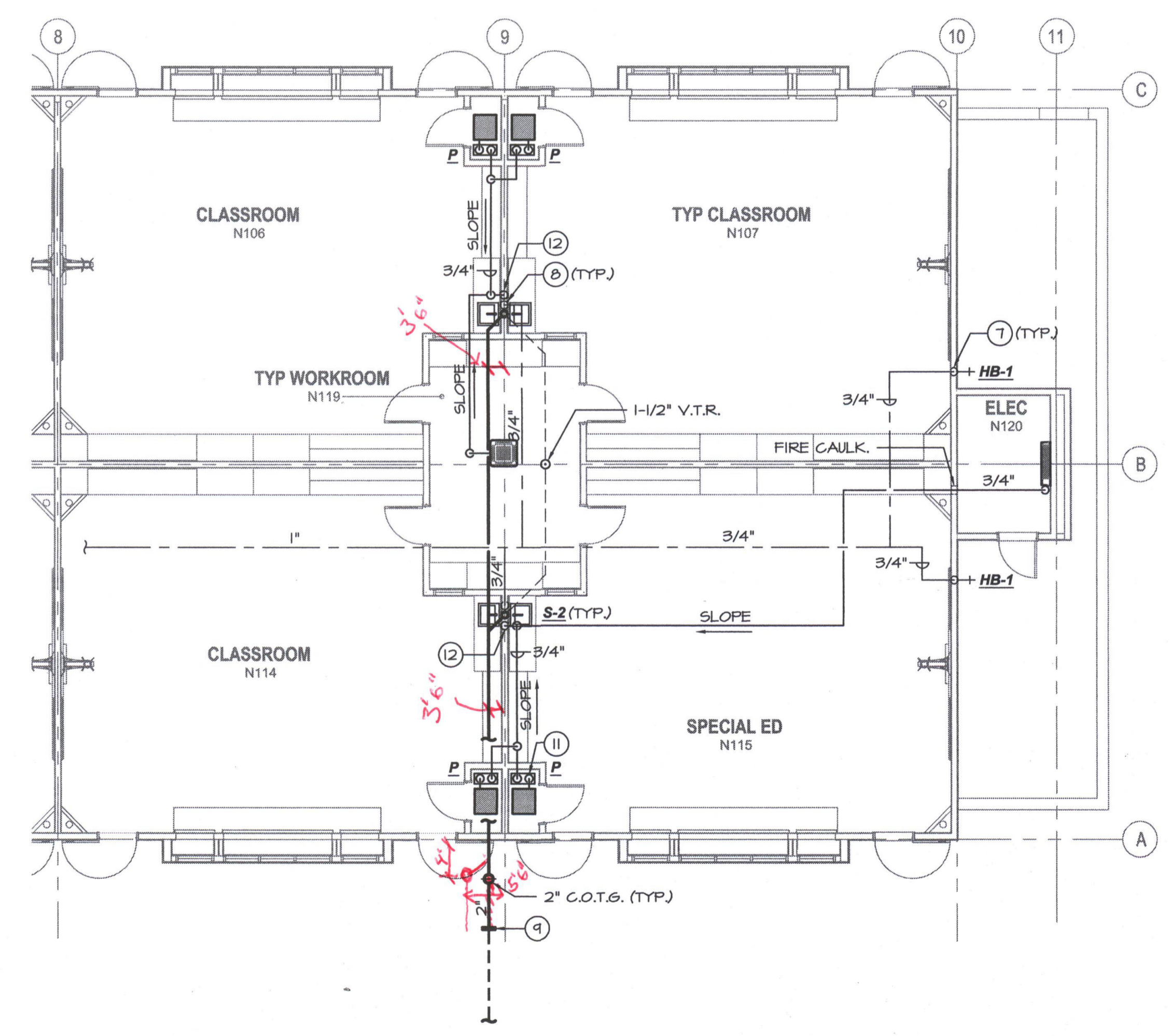
IDENTIFICATION STAMP  
 DIVISION OF STATE ARCHITECT  
 OFFICE OF REGULATION SERVICES  
 APPL. #02-112027  
 FILE # 15-6  
 AC [Signature] FL [Signature] SS [Signature] au  
 DATE 11/11/12  
 PTN # 63321-112

NEW ELEMENTARY SCHOOL  
 9801 HIGHLAND KNOLLS DR  
 BAKERSFIELD CALIFORNIA 93306  
 NEW MIDDLE SCHOOL  
 4115 VINELAND ROAD  
 BAKERSFIELD CALIFORNIA 93306

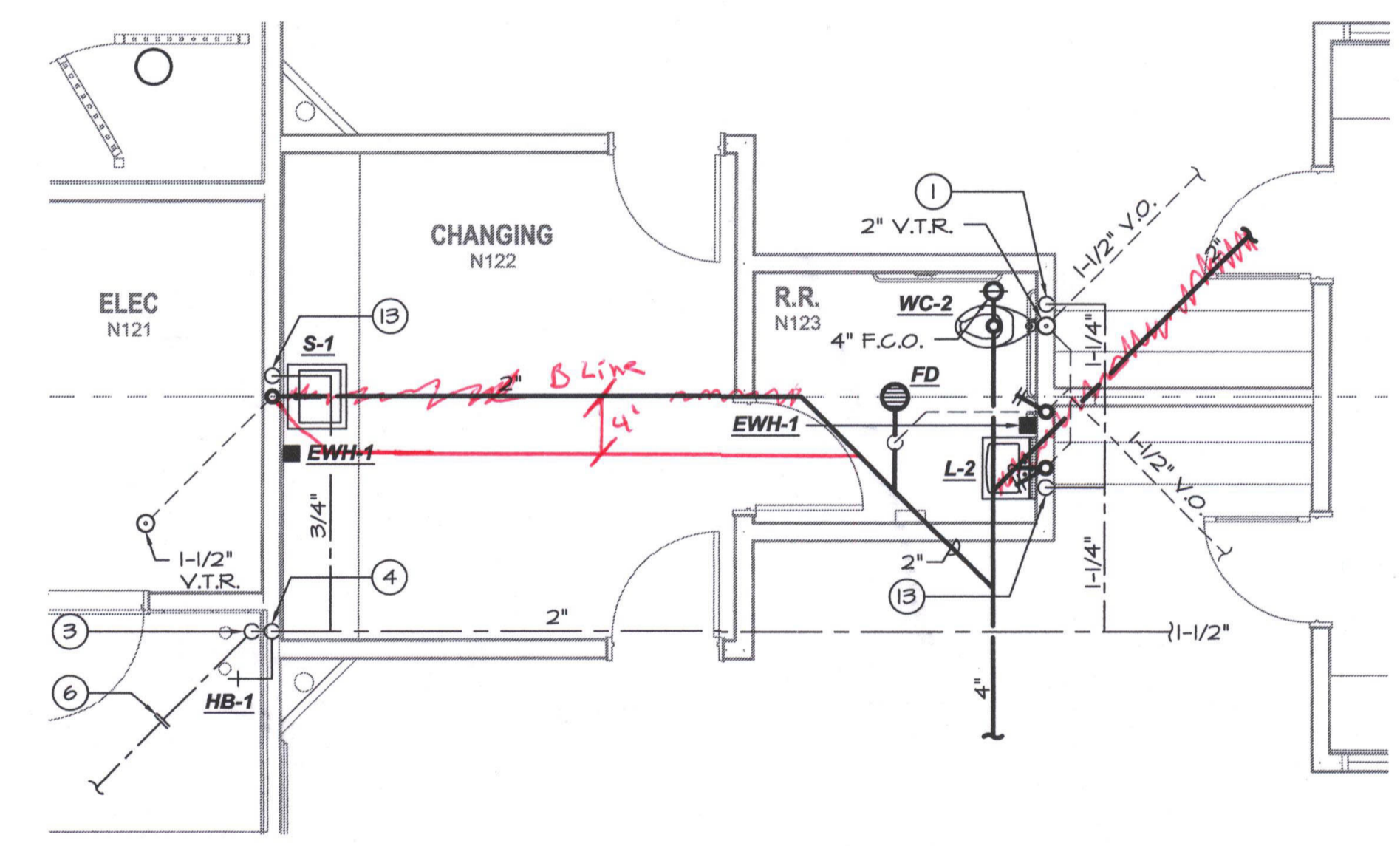
FOR:  
**BAKERSFIELD CITY SCHOOL DISTRICT**  
 1300 BAKER STREET  
 BAKERSFIELD CALIFORNIA 93305



**PARTIAL PLUMBING FLOOR PLAN - BUILDING N**  
 SCALE: 1/8"=1'-0"



**PARTIAL PLUMBING FLOOR PLAN - BUILDING N**  
 SCALE: 1/8"=1'-0"

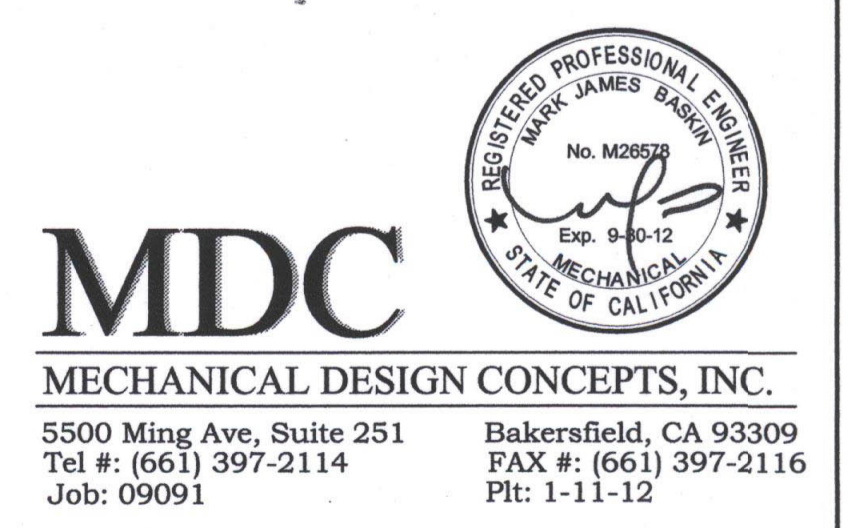


**PARTIAL PLUMBING FLOOR PLAN (N121 & N122)**  
 SCALE: 1/4"=1'-0"

- PLUMBING KEYNOTES:**
1. 1/2" C.W. down w/ Shoktrol®, reduce to 1" @ flush valve.
  2. 1/2" C.W. down, 2" W., 2" W.C.O., 1 1/2" V.O. or V.T.R. (see plan).
  3. 2" C.W. up to 12" above grade with gate valve, enter wall and rise.
  4. 2" C.W. up to attic w/ 3/4" tap @ fixture height for H.B.
  5. P.O.C. 4" S.&W. to 5' out, see Civil plans for continuation.
  6. P.O.C. 2" C.W. to 5' out, see Civil plans for continuation.
  7. 3/4" C.W. down to H.B.
  8. 3/4" C.W. down w/ 1/2" to ea. sink, 2" W., 2" W.C.O., 1 1/2" V.O.
  9. P.O.C. 2" Waste to 5 ft. out, see Civil plans for continuation.
  10. 3/4" C.W. down, 2" W., 2" W.C.O., 1 1/2" V.O. w/ 1/2" to lav. & E.W.H.
  11. 1/2" trapped condensate drain down to condensate pump.
  12. 1/2" condensate drain down to sink or lav. tailpiece fitting.
  13. 3/4" C.W. down w/ 1/2" to sink or lav., 1/2" to E.W.H.
  14. 2" W.C.O., 1-1/2" V.O.

MARK	DATE	DESCRIPTION
△		
△		
△		
△		

JOB NUMBER: 200101244  
 CAD DRAWING FILE:  
 DRAWN BY: KW  
 CHECKED BY: MB  
 CHECK AND VERIFY ALL DIMENSIONS BEFORE PROCEEDING WITH THE WORK. REPORT DISCREPANCIES TO THE ARCHITECT.  
 THE DRAWINGS, IDEAS, AND DESIGNS REPRESENTED ON THIS SHEET ARE THE PROPERTY OF THE ARCHITECT.  
 COPYRIGHT © 2012  
 ORDIZ-MELBY ARCHITECTS, INC. 2010  
 SHEET TITLE  
**PLUMBING FLOOR PLANS - BUILDING N**  
 SHEET IDENTIFICATION NUMBER  
**P-121N**



**MDC**  
 MECHANICAL DESIGN CONCEPTS, INC.  
 5500 Ming Ave, Suite 251 Bakersfield, CA 93309  
 Tel #: (661) 397-2114 FAX #: (661) 397-2116  
 Job: 09091 PR: 1-11-12