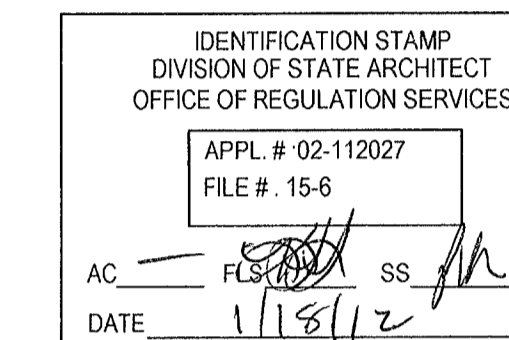


ORDIZ MELBY
ARCHITECTS, INC.

5500 MING AVENUE SUITE 280
BAKERSFIELD, CALIFORNIA 93309
TELEPHONE (861) 832-5258
FACSIMILE (861) 832-4291



William J. Melby
DANNY E. ORDIZ, AIA
ARCHITECT C-14,728
WILLIAM J. MELBY, AIA
ARCHITECT C-16,836
CONSULTANT

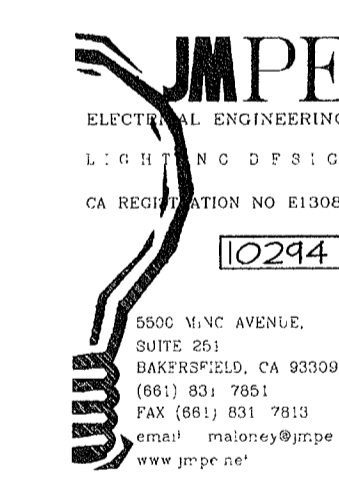


NEW ELEMENTARY SCHOOL
9801 HIGHLAND KNOLLS DR
BAKERSFIELD
CALIFORNIA
93306

NEW MIDDLE SCHOOL
4115 VINELAND ROAD
BAKERSFIELD
CALIFORNIA
93306

FOR:

BAKERSFIELD CITY SCHOOL DISTRICT
1300 BAKER STREET
BAKERSFIELD
CALIFORNIA
93305



MARK DATE DESCRIPTION

△		
△		
△		
△		

JOB NUMBER
20101244
CAD DRAWING FILE:

DRAWN BY
DC
CHECKED BY
PH

CHECK AND VERIFY ALL DIMENSIONS BEFORE
PROCEEDING WITH THE WORK.
REPORT DISCREPANCIES TO THE ARCHITECT

THE DRAWINGS, IDEAS AND DESIGNS
REPRESENTED ON THIS SHEET ARE THE
PROPERTY OF THE ARCHITECT.

COPYRIGHT
ORDIZ MELBY ARCHITECTS, INC. 2010

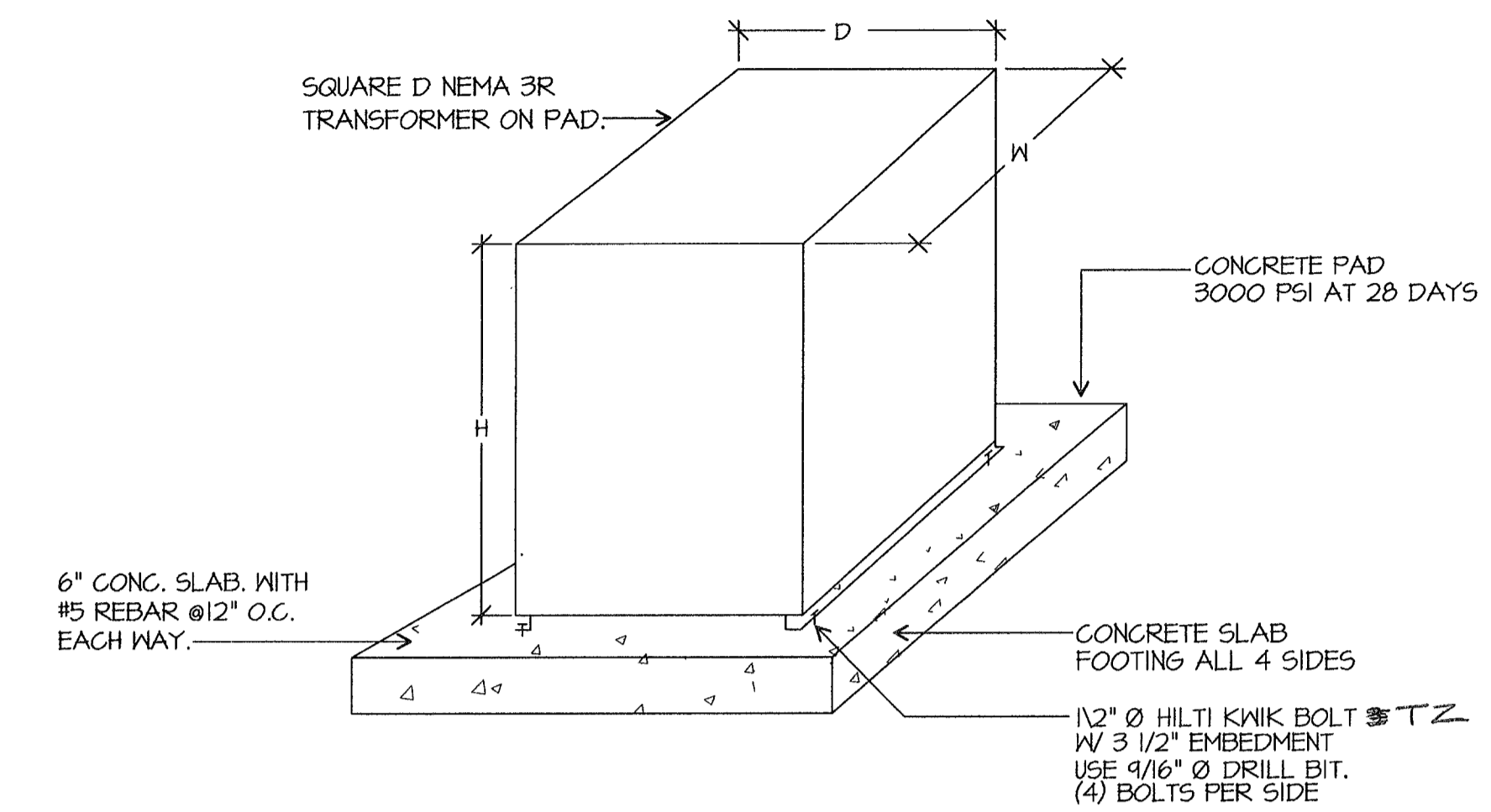
SHEET TITLE

SHEET IDENTIFICATION NUMBER

E-006
SHEET OF

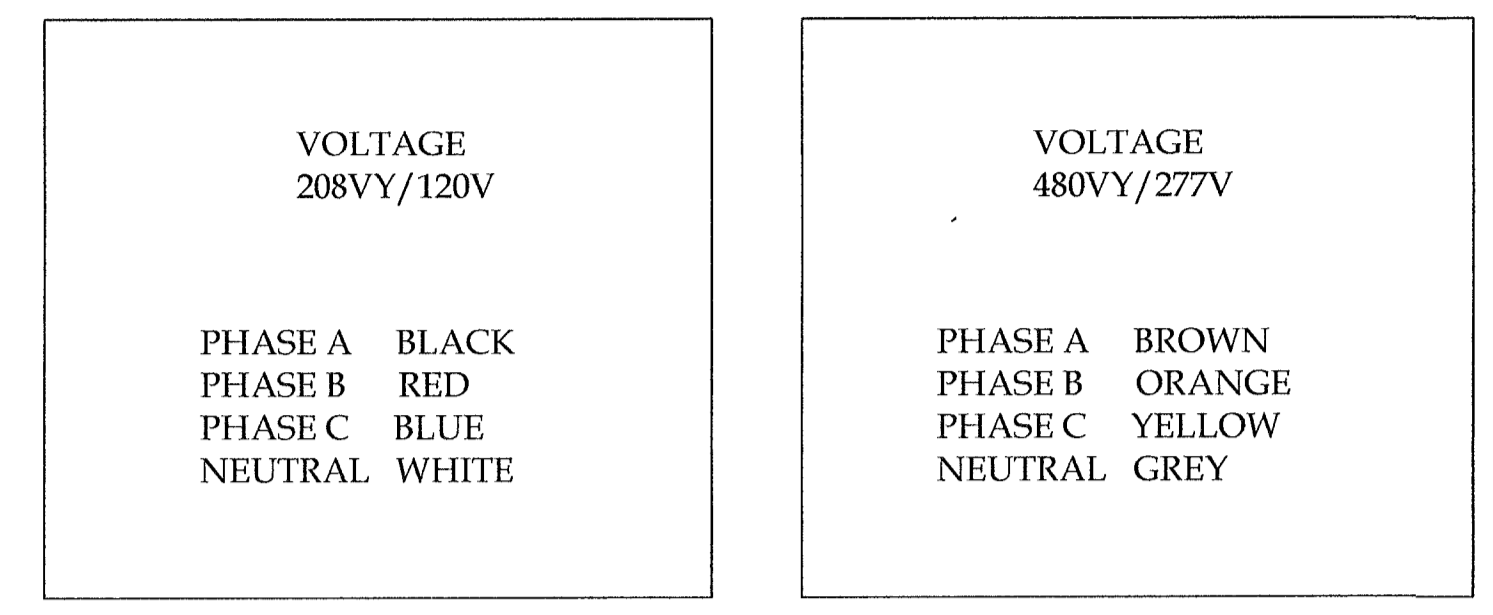
TRANSFORMER KVA RATING	H	W	D	WEIGHT
75 KVA	37"	30"	20"	642 LBS
112.5 KVA	37"	30"	24"	125 LBS

NOTES:
1. FOR OUTDOOR TRANSFORMER MOUNTING, CONCRETE PAD SHALL BE 6" WIDER THAN TRANSFORMER HOUSING. TOP OF PAD SHALL BE 2" ABOVE ADJACENT GRADE.

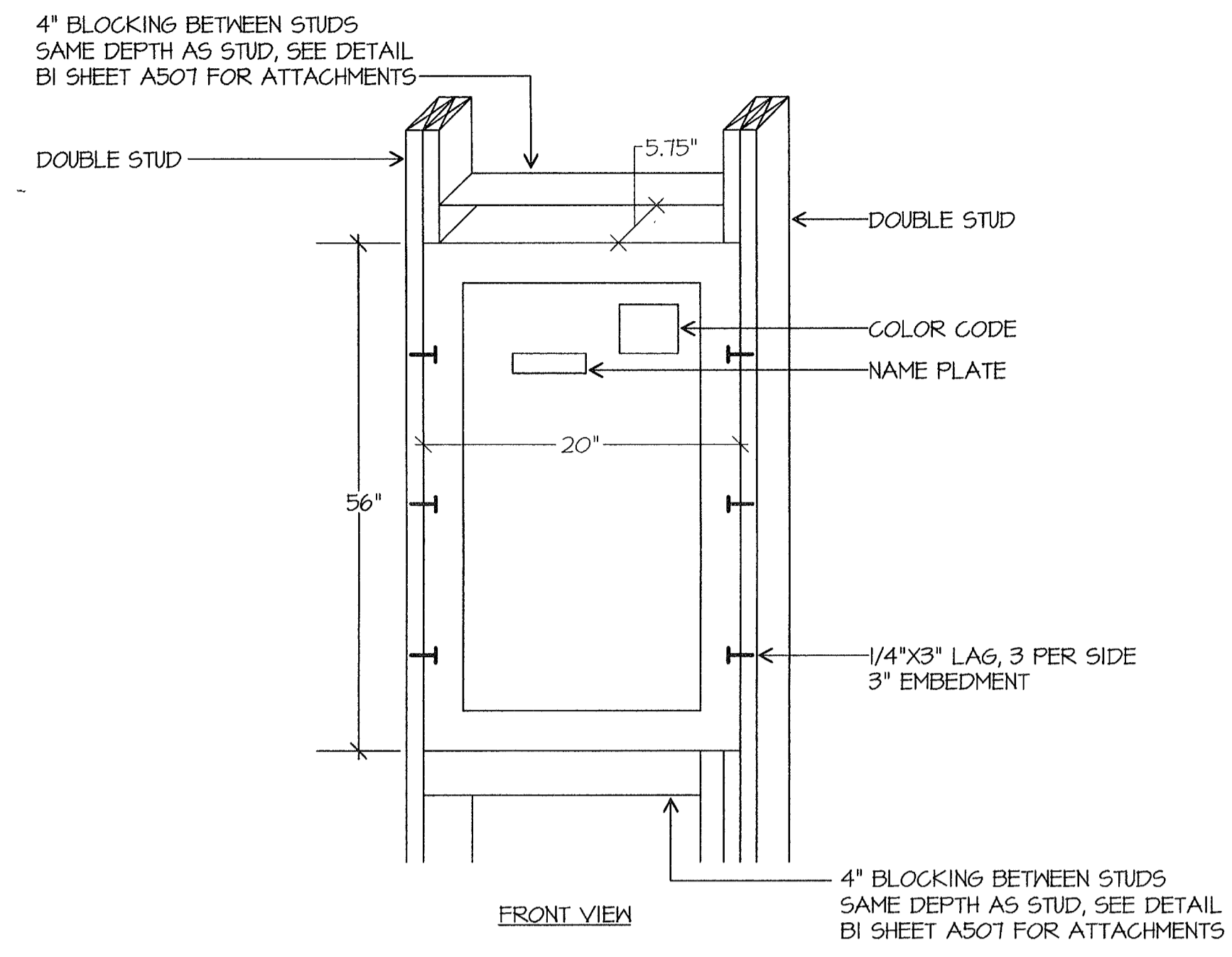


TRANSFORMER MOUNTING DETAIL
SCALE: NONE

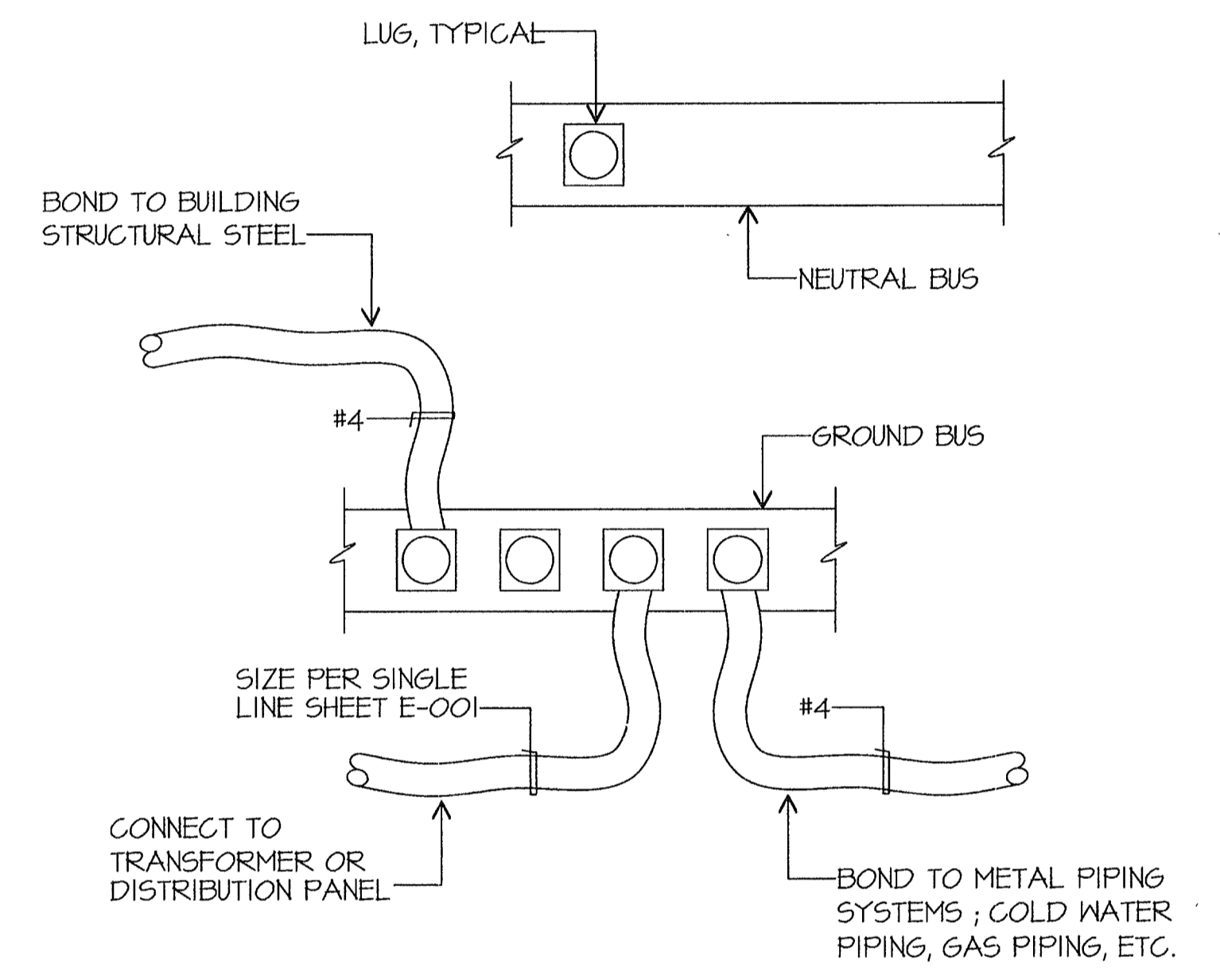
PANELS SHALL HAVE CONDUCTOR IDENTIFICATION INFORMATION PERMANENTLY POSTED



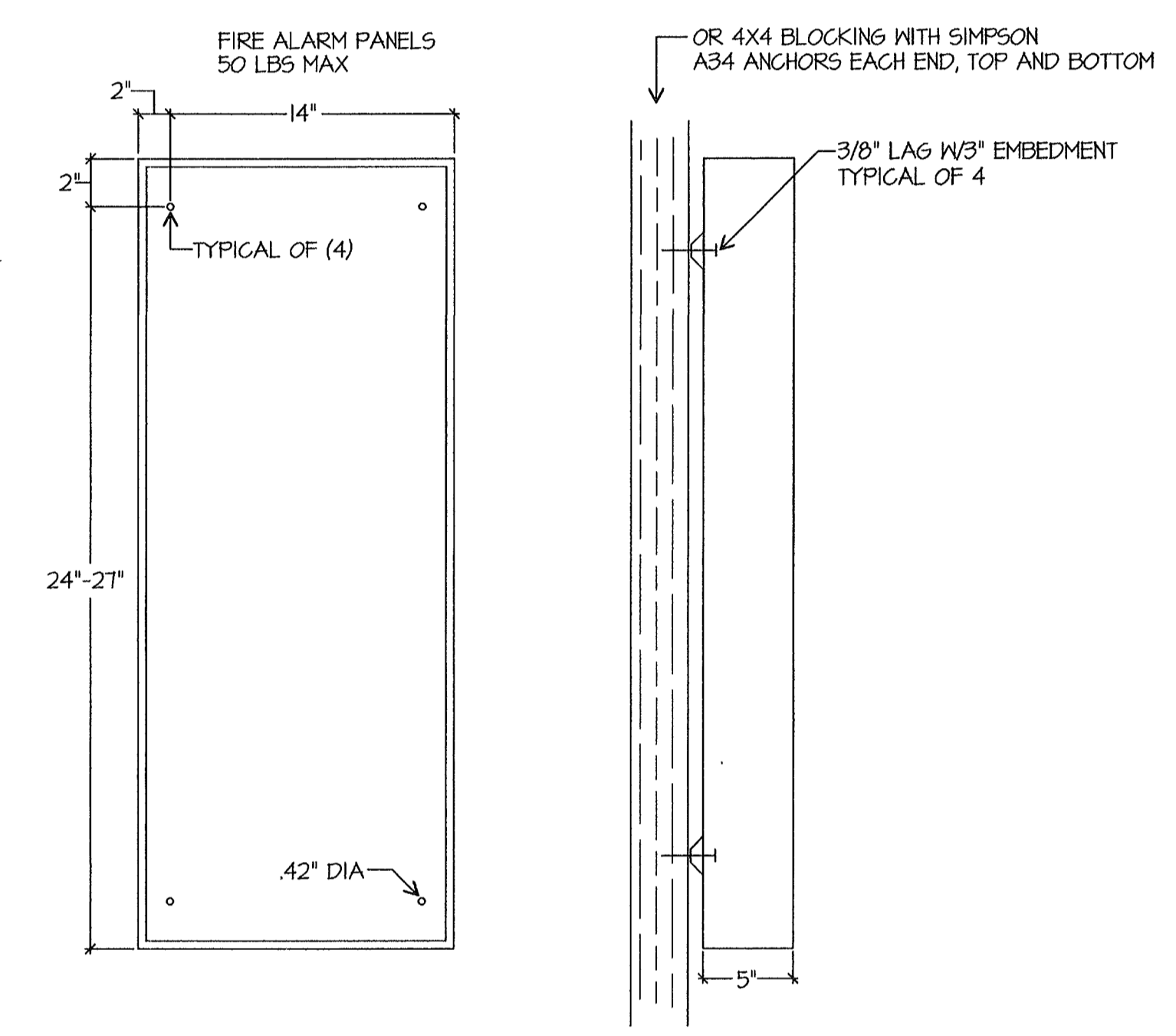
COLOR CODE DETAIL
SCALE: NONE



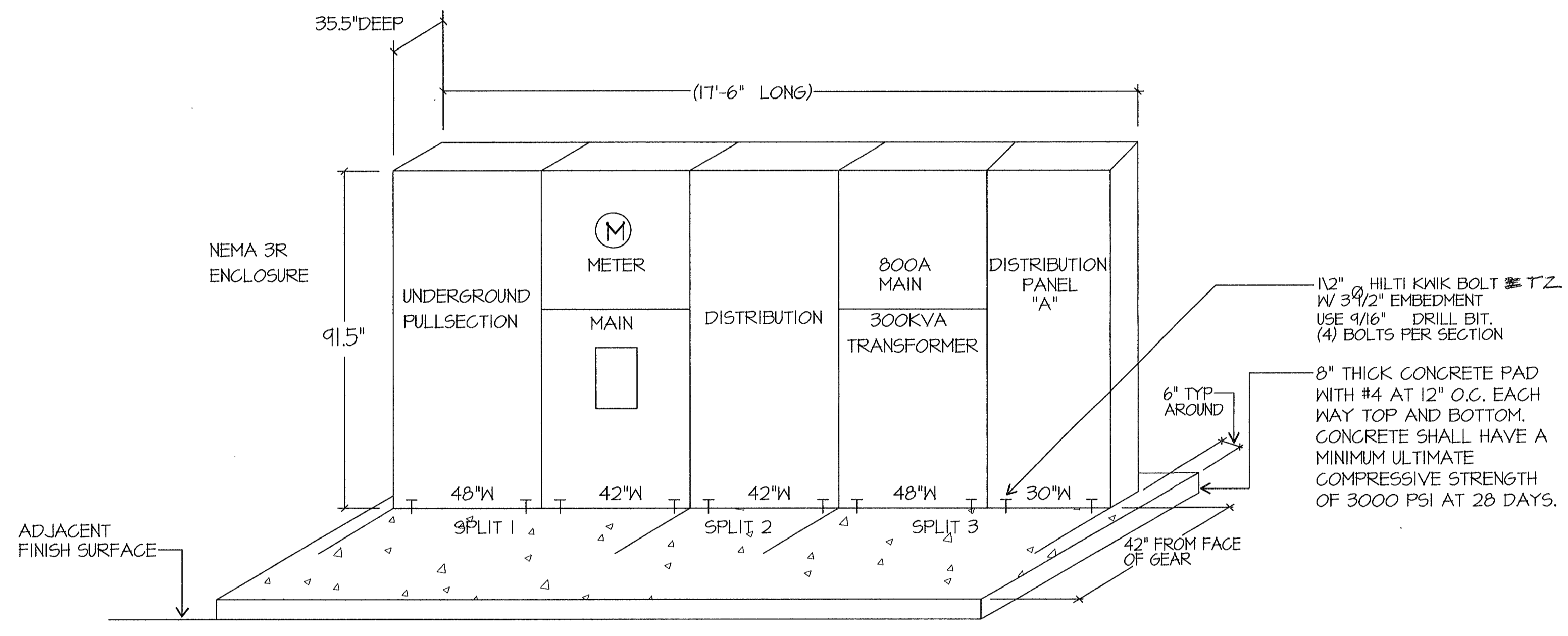
FLUSH MOUNT PANEL, WOOD
SCALE: NONE



BONDING DIAGRAM PANELS
SCALE: NONE



FIRE ALARM SURFACE MOUNT PANEL, WOOD
SCALE: NONE



SWITCH BOARD DETAIL "MSB"
SCALE: NONE

Z:\00P#10244\DATE12-14-11 AC