

IDENTIFICATION STAMP
 DIVISION OF STATE ARCHITECT
 OFFICE OF REGULATION SERVICES
 APPL # 02-112027
 FILE # 15-6
 DATE 11/9/12
 PTN # 63321-112

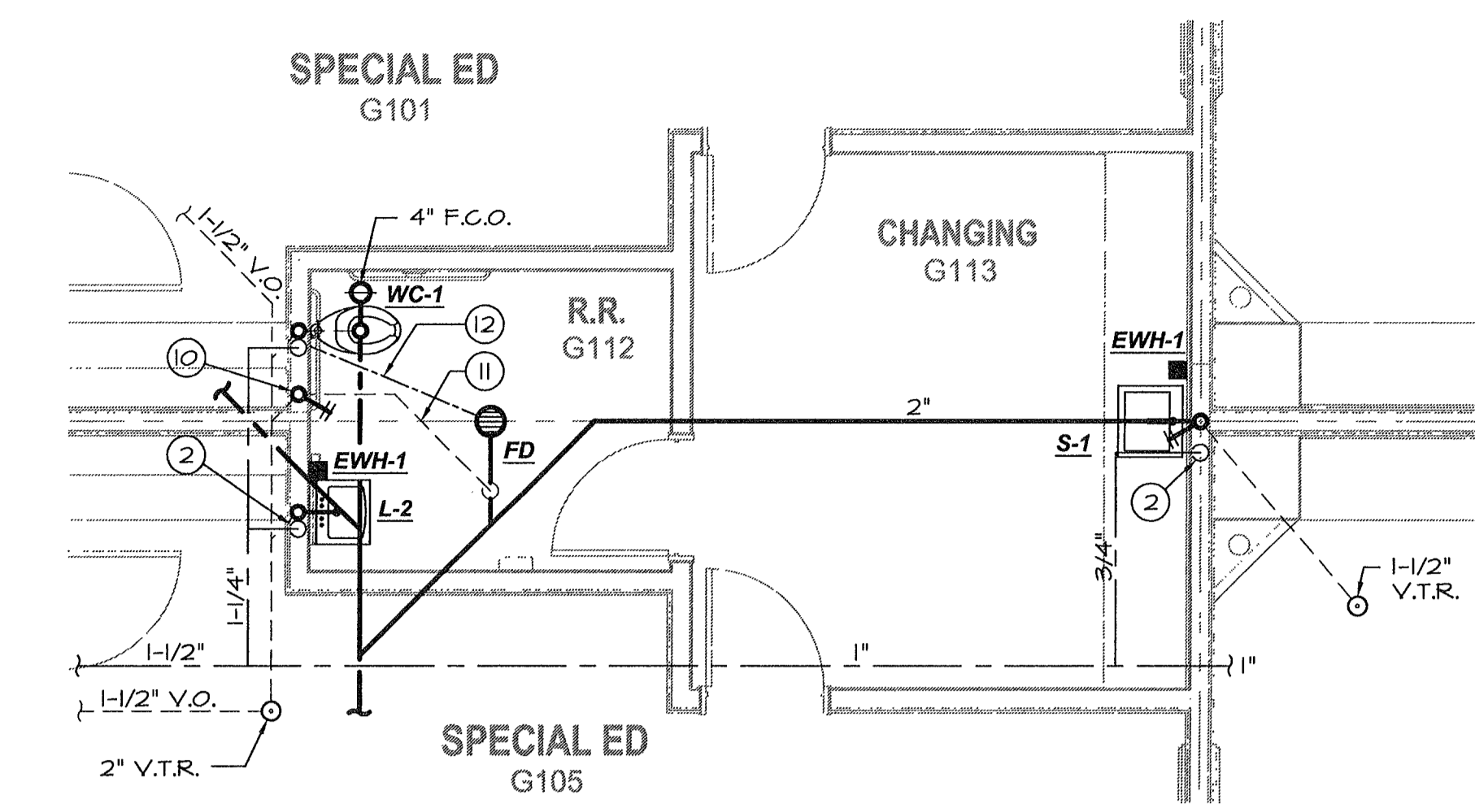
NEW ELEMENTARY SCHOOL
 9801 HIGHLAND KNOLLS DR
 BAKERSFIELD CALIFORNIA 93306
 NEW MIDDLE SCHOOL
 4115 VINELAND ROAD
 BAKERSFIELD CALIFORNIA 93306

FOR:
 BAKERSFIELD CITY SCHOOL DISTRICT
 1300 BAKER STREET
 BAKERSFIELD CALIFORNIA 93305

MARK	DATE	DESCRIPTION
△		
△		
△		
△		

JOB NUMBER: 200101244
 CAD DRAWING FILE:
 DRAWN BY: KW
 CHECKED BY: MB
 CHECK AND VERIFY ALL DIMENSIONS BEFORE PROCEEDING WITH THE WORK. REPORT DISCREPANCIES TO THE ARCHITECT.
 THE DRAWINGS, IDEAS, AND DESIGNS REPRESENTED ON THIS SHEET ARE THE PROPERTY OF THE ARCHITECT.
 COPYRIGHT © 2010
 ORDIZ-MELBY ARCHITECTS, INC. 2010
 SHEET TITLE

PLUMBING FLOOR PLAN
 BUILDING C, E, F & G
 SHEET IDENTIFICATION NUMBER
P-121CEFG

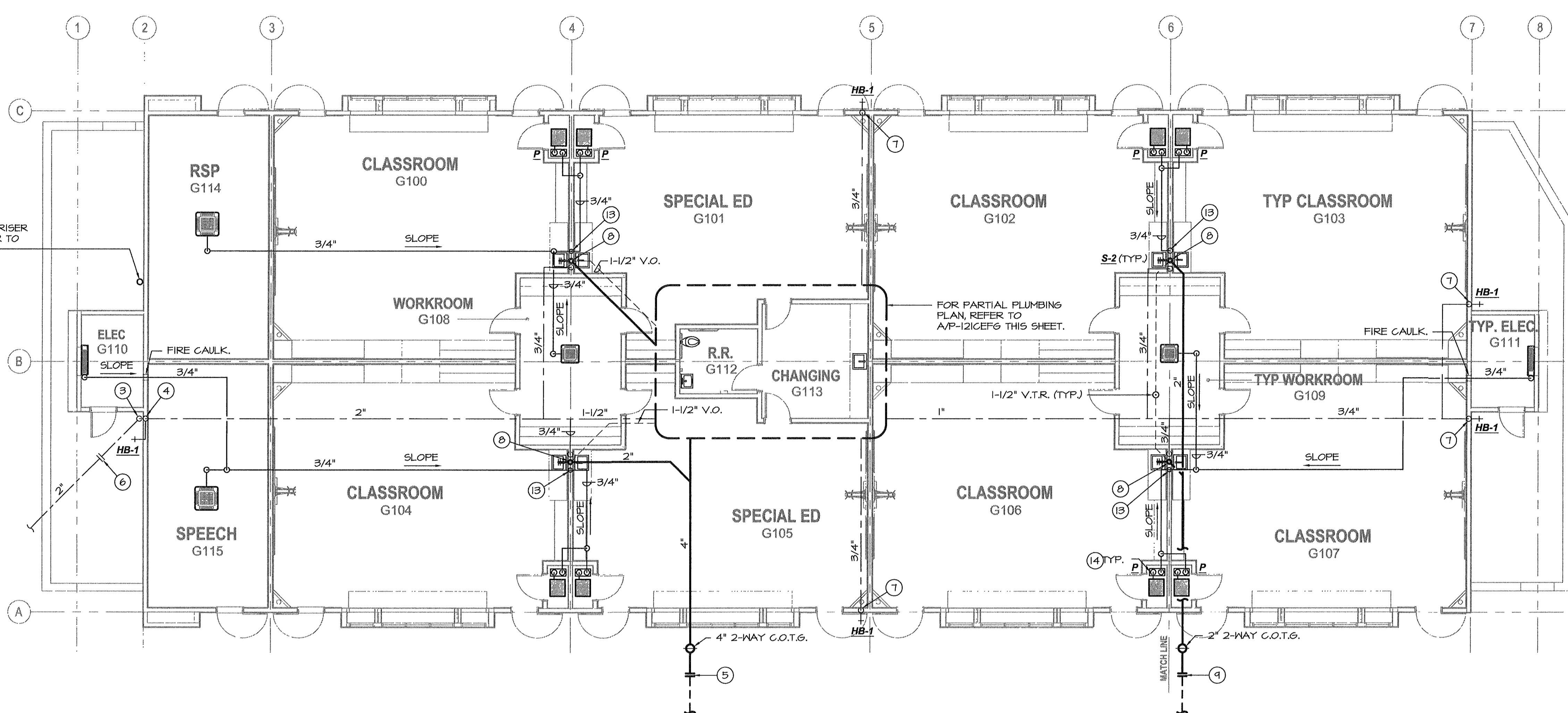


PARTIAL PLUMBING FLOOR PLAN - BUILDING G
 SCALE: 1/4"=1'-0"

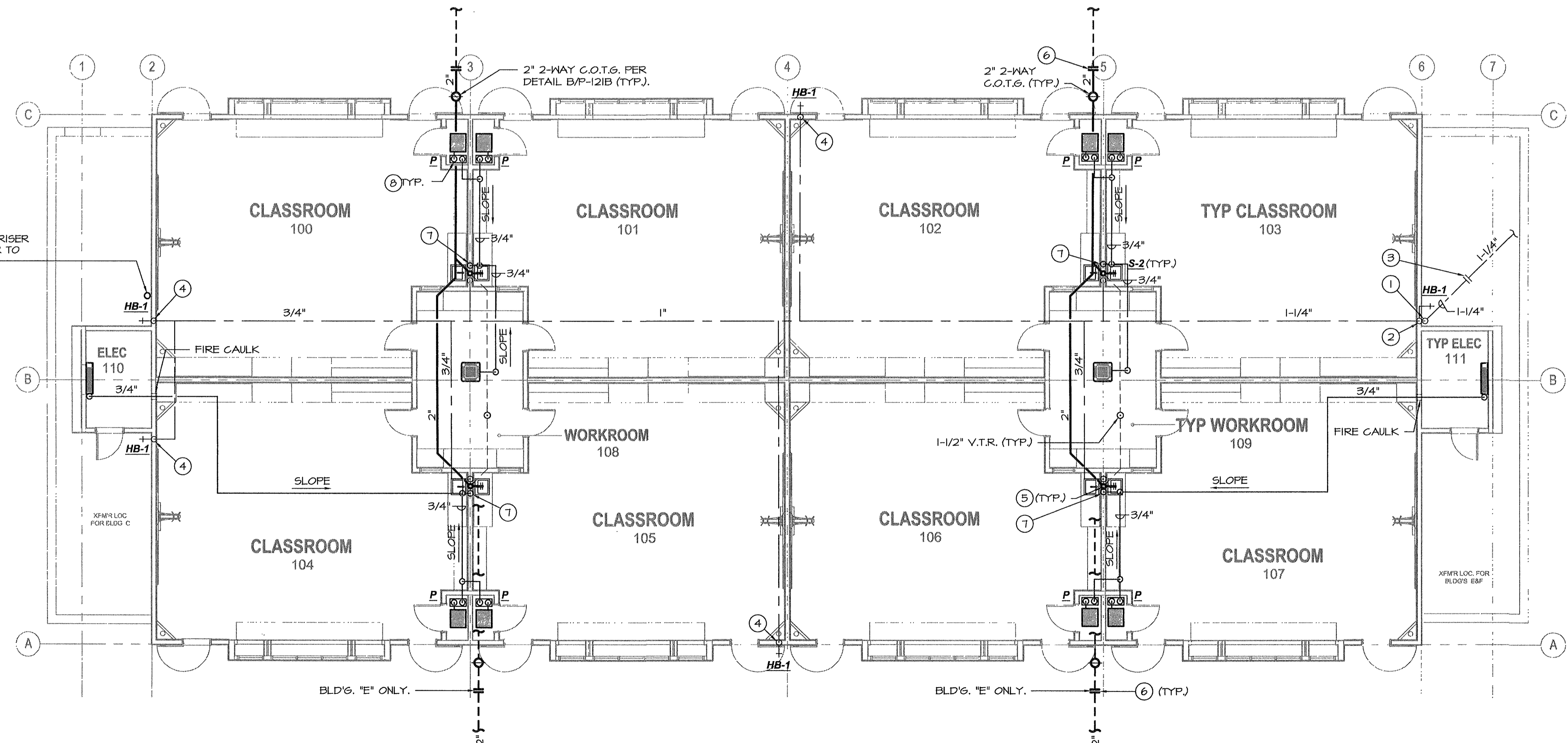
- PLUMBING KEYNOTES (BUILDING G):**
- 1 1/2" C.W. down w/ "Shoktrol", reduce to 1" @ flush valve.
 - 3/4" C.W. down w/ 1/2" to sink and EWH, 2" W., 2" W.C.O., 1 1/2" V.O. or V.T.R. (see plan).
 - 2" C.W. up to 12" above grade with gate valve, enter wall and rise.
 - 2" C.W. up to attic w/ 3/4" tap @ fixture height for H.B.
 - P.O.C. 4" S.&W. to 5' out, see Civil plans for continuation.
 - P.O.C. 2" C.W. to 5' out, see Civil plans for continuation.
 - 3/4" C.W. down to H.B.
 - 3/4" C.W. down w/ 1/2" to ea. sink, 2" W., 2" W.C.O., 1 1/2" V.O.
 - P.O.C. 2" Waste to 5 ft. out, see Civil plans for continuation.
 - 2" W.C.O., 1 1/2" V.O.
 - 2" V.O. below slab
 - 1/2" trap primer line below slab
 - 3/4" condensate drain down to sink tailpiece fitting.
 - 1/2" trapped condensate drain down to pump.

C.W. CALC's. (BUILDING G):

1 W.C.'s	5 FIXTURE UNITS	= 5
1 LAV	1 FIXTURE UNIT	= 1
8 SINKS	1.5 FIXTURE UNITS	= 12
1 H.B.	2.5 FIXTURE UNITS	= 2.5
5 H.B.	1 FIXTURE UNIT	= 5
TOTAL		= 25.5
38 G.P.M. = 2" @ 3.8 F.P.S. / 1.7 P.S.I. LOSS / 100'		



PLUMBING FLOOR PLAN - BUILDING G
 SCALE: 1/8"=1'-0"



PLUMBING FLOOR PLAN - BUILDINGS C, E & F
 SCALE: 1/8"=1'-0"

- PLUMBING KEYNOTES (BLD'G. C, E & F):**
- 1 1/2" C.W. up to 12" above grade with gate valve, enter wall and rise.
 - 1 1/2" C.W. up to attic w/ 3/4" tap @ fixture height for H.B.
 - P.O.C. 1 1/2" C.W. to 5' out, see Civil plans for continuation.
 - 3/4" C.W. down to H.B.
 - 3/4" C.W. down w/ 1/2" to ea. sink, 2" W., 2" W.C.O., 1 1/2" V.O.
 - P.O.C. 2" Waste to 5 ft. out, see Civil plans for continuation.
 - 3/4" condensate drain down to sink tailpiece fitting.
 - 1/2" trapped condensate drain down to pump.

C.W. CALC's. (BLD'G. C, E & F):

8 SINKS	2 FIXTURE UNITS	= 16
1 H.B.	2.5 FIXTURE UNITS	= 2.5
4 H.B.'s	1 FIXTURE UNIT	= 4
TOTAL		= 22.5
17 G.P.M. = 1-1/4" @ 3.6 F.P.S. / 2.0 P.S.I. LOSS / 100'		

MDC
 MECHANICAL DESIGN CONCEPTS, INC.
 5500 Ming Ave, Suite 251 Bakersfield, CA 93309
 Tel #: (661) 397-2114 FAX #: (661) 397-2116
 Job: 09091 Plt: 1-11-12

