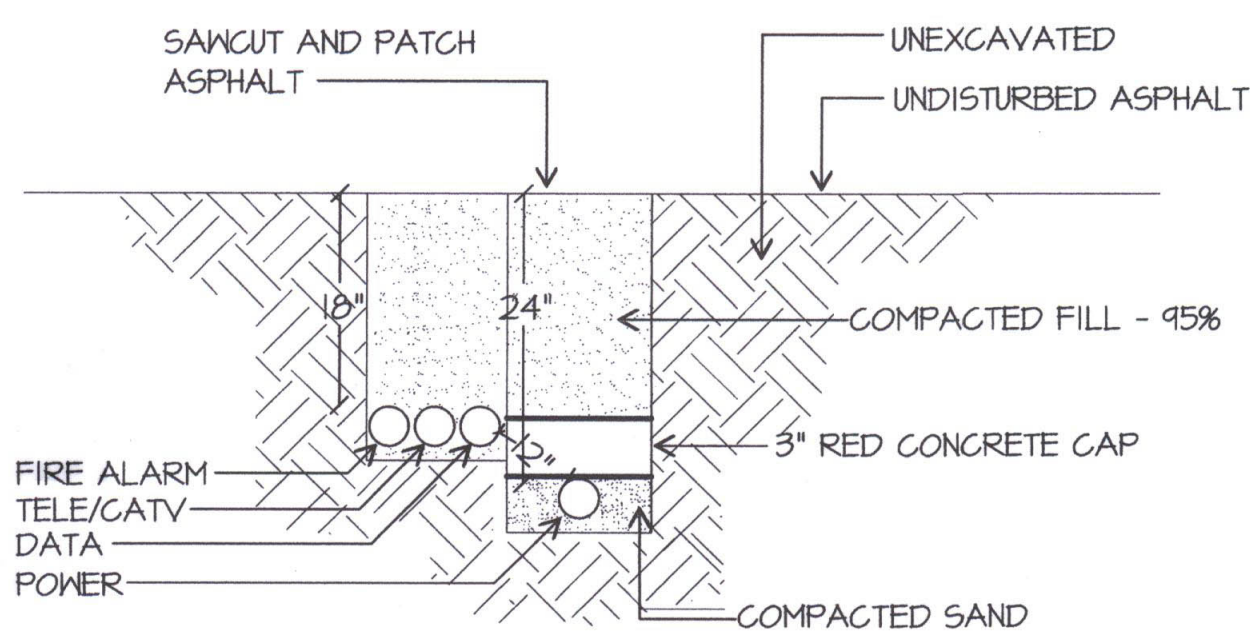
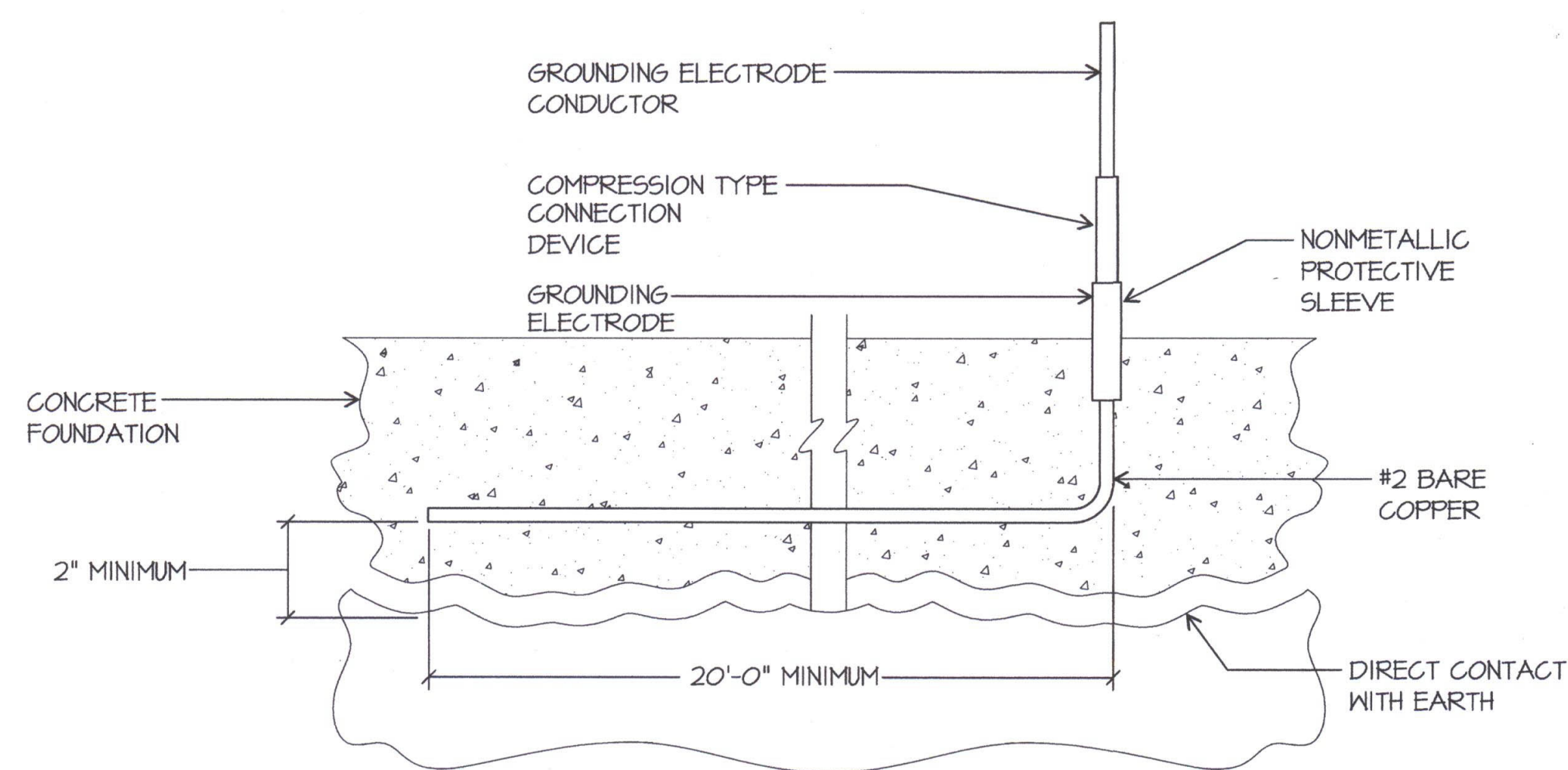


GROUND ACCESS BOX

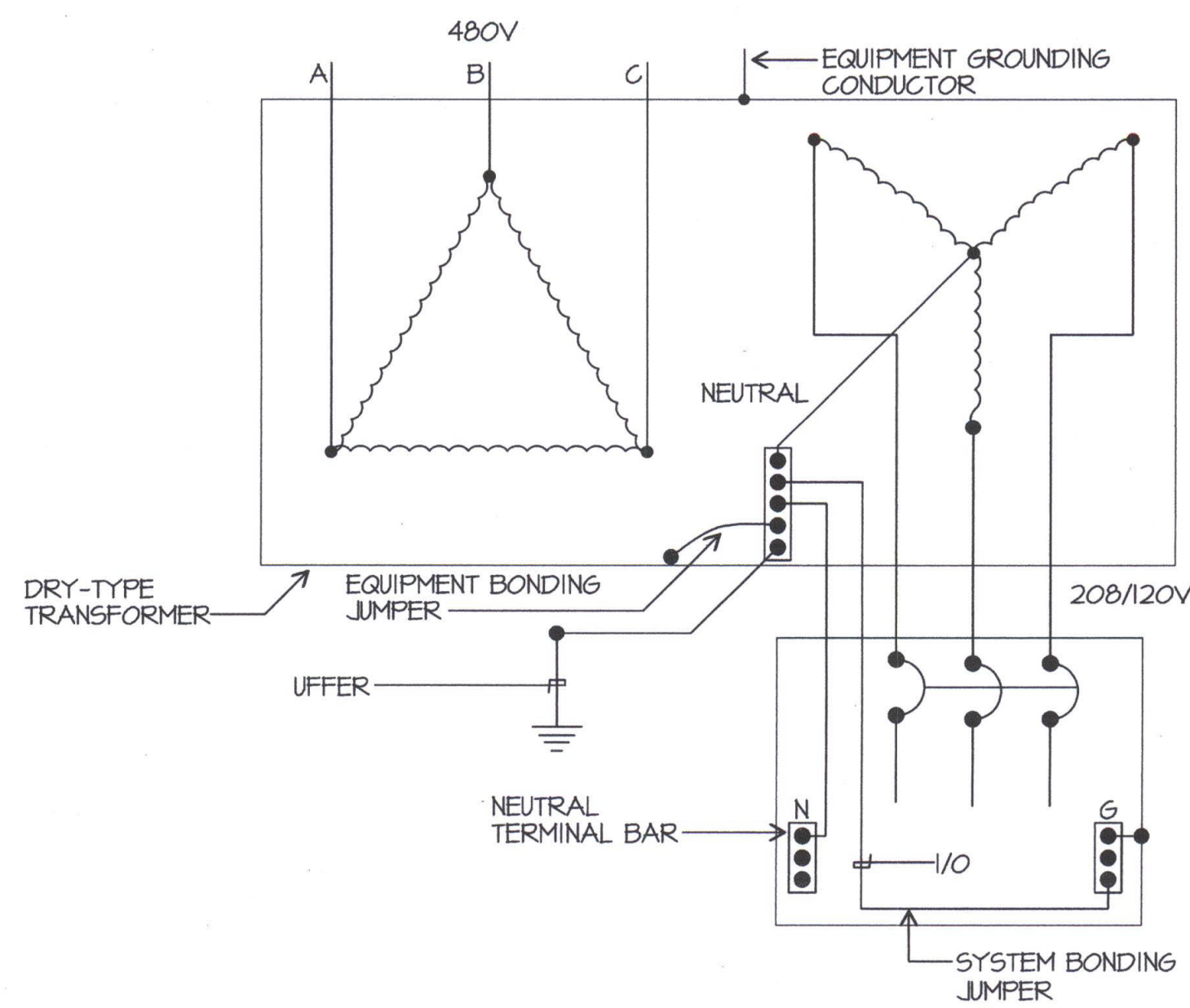


TRENCHING DETAIL



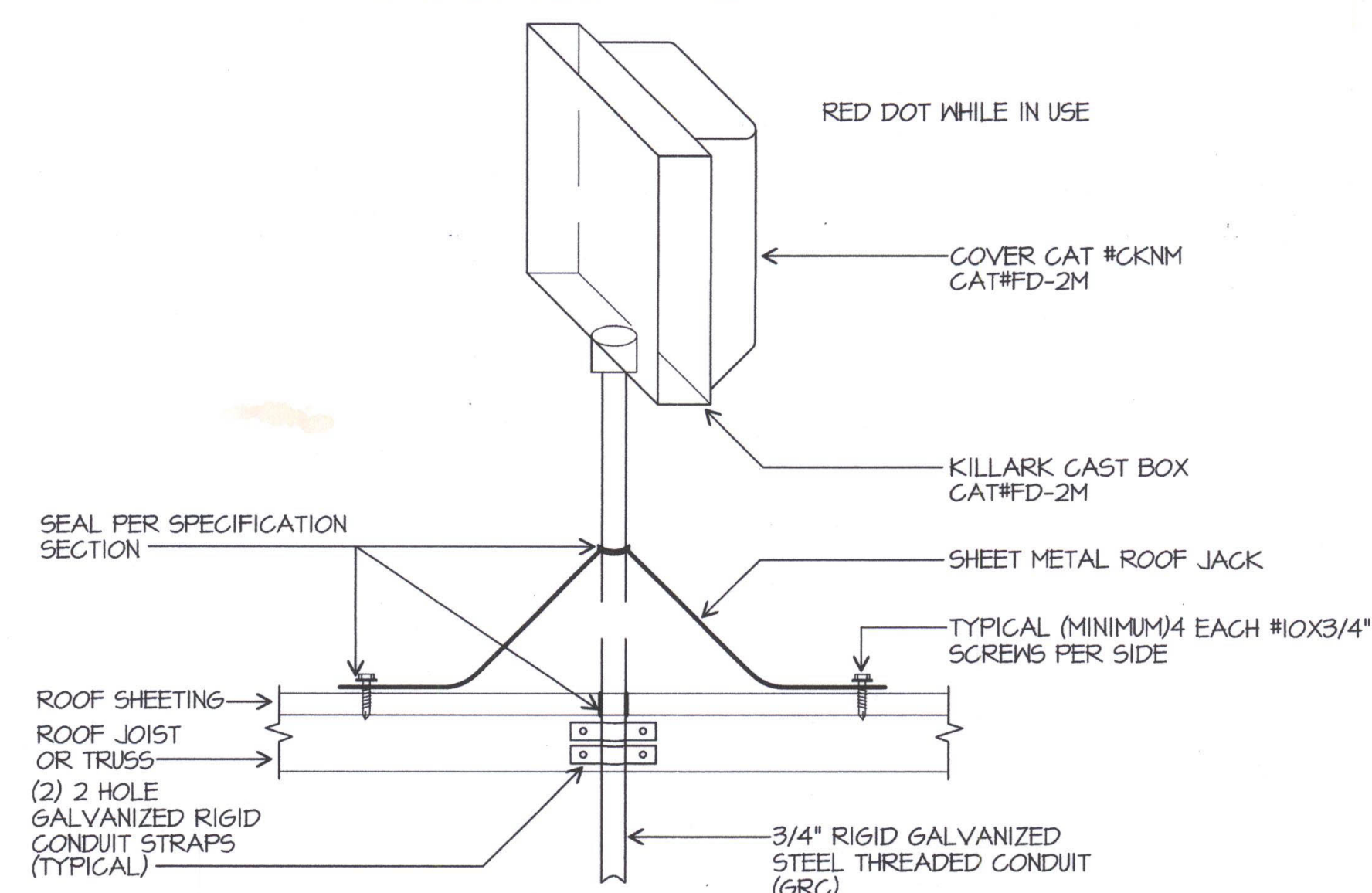
UFER GROUND DETAIL

THE GROUNDING SYSTEM SHALL CONSIST OF A "UFER" TYPE
20' LONG OF #2 BARE COPPER CONDUCTOR EMBEDDED
ALONG THE BOTTOM OF A CONCRETE FOOTING OR GRADE
BEAM THAT IS IN DIRECT CONTACT WITH THE EARTH.

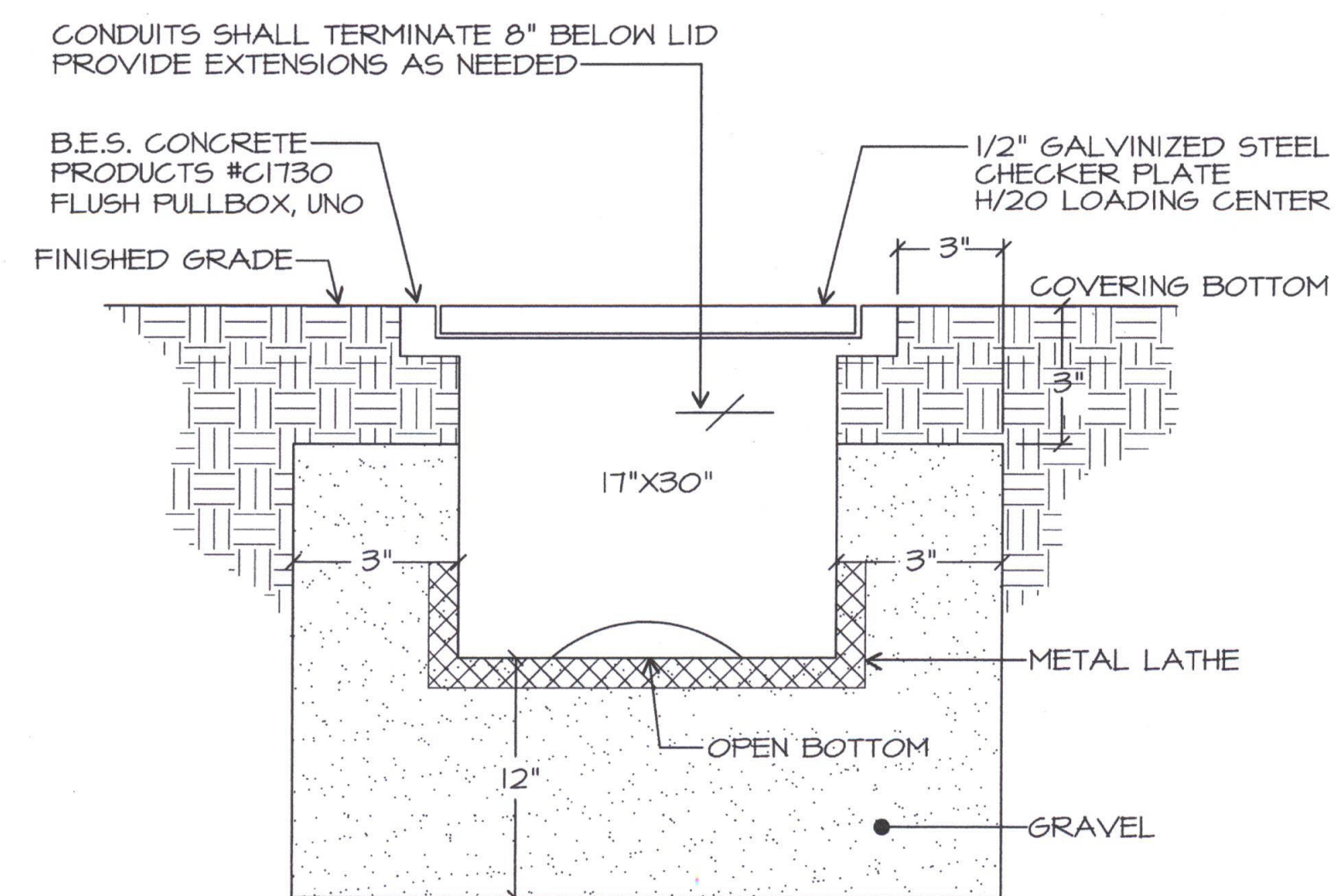


GROUNDING DETAIL

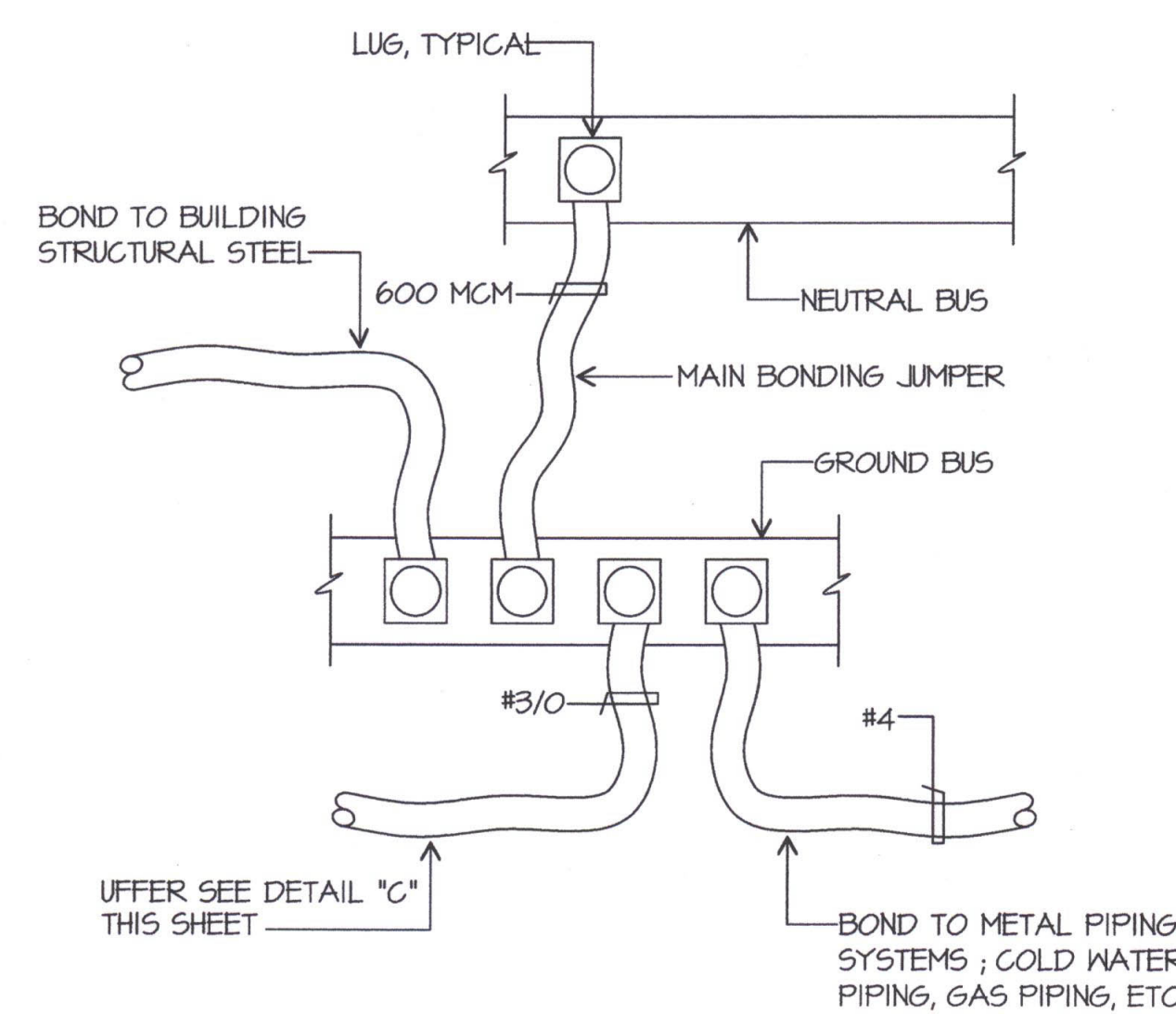
TOTAL WEIGHT LESS THAN 5 LBS



ROOF RECEPTACLE MOUNTING DETAIL



FLUSH PULLBOX DETAIL

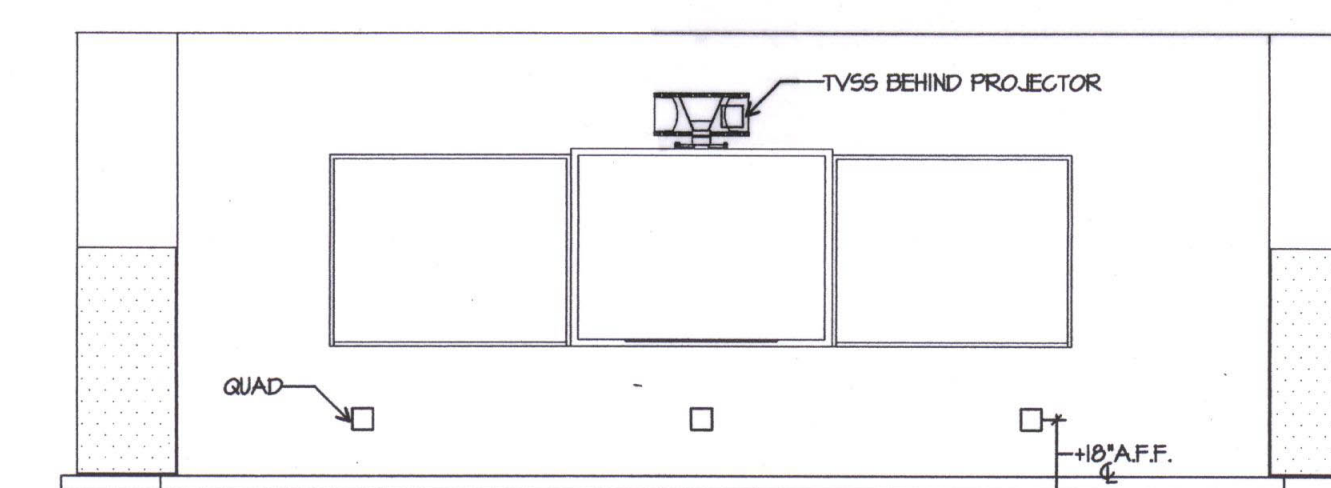
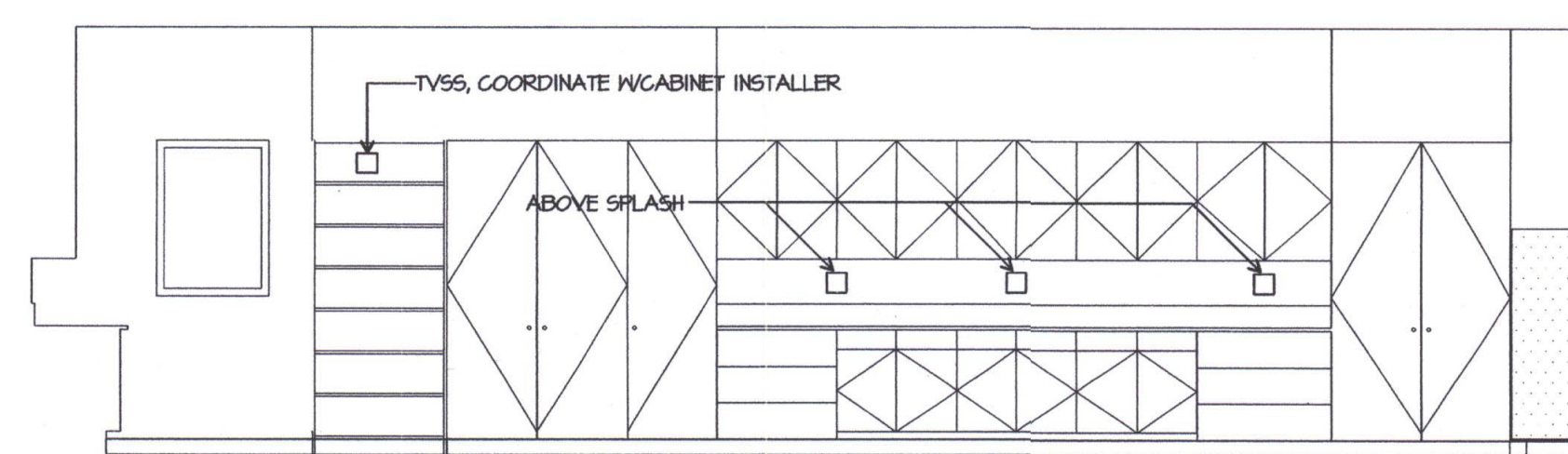
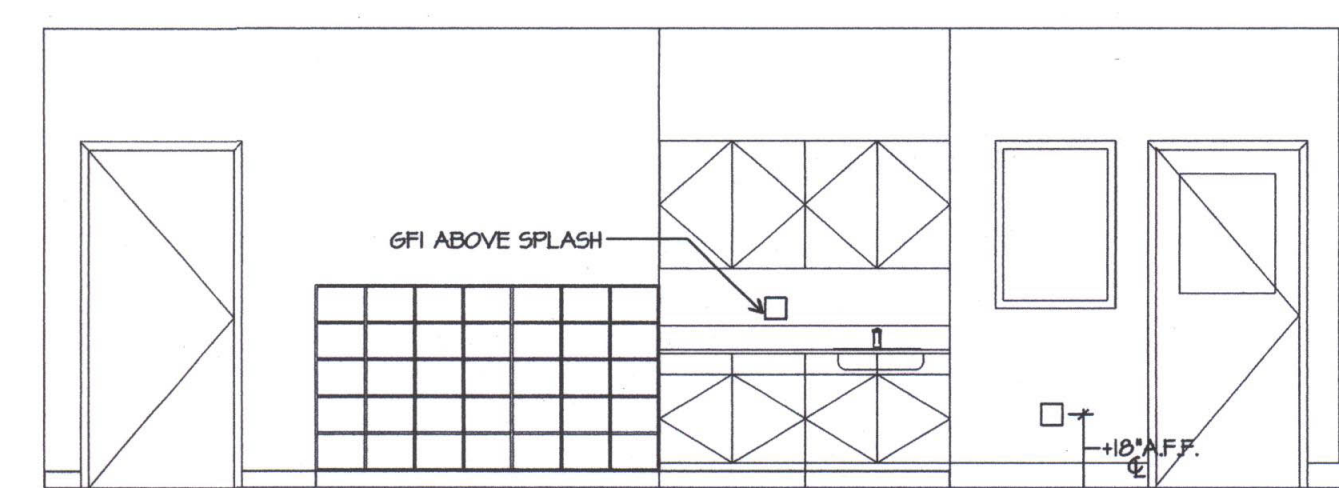
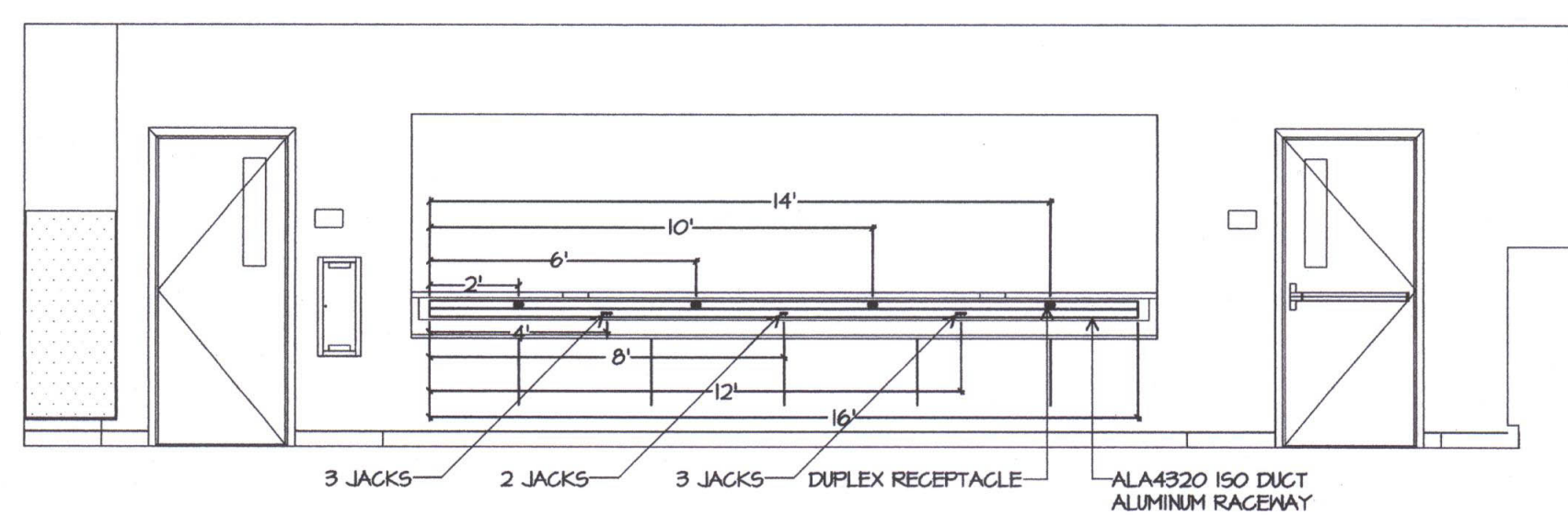


BONDING DIAGRAM MSB

REQUEST:
RDM Electric - 6/8/12
Reference Sheet E-002
On Detail B of the Electrical Drawings, it calls for red colored concrete for the underground
duct bank encasement. Is it acceptable to use red brick dust to color the concrete encasement
in lieu of installing red colored concrete. Please advise.

ANSWER:
1. yes
2. Provide a cost proposal for the credit to delete encasement on all u/g conduits except
RDM conduits.
John Maloney / JMPE 6/7/12

RFI 62



ELEVATION DETAILS

REQUEST:
RDM Electric - 3/19/13
Reference Sheets E-002, E132A, E132B, E132C, E132D, E132E, E132F, E132G, E132H, E132I, E132J, E132K, E132L, E132M & E132P
The Electrical Plans show weatherproof (GP) receptacles to be installed on the exterior of all of
the buildings, however, it does not show what type of weatherproof cover that is to be used. Is
it acceptable to use the same cover for these receptacles as what is shown on Detail E, sheet
E-002 for the roof receptacles? Please advise.

ANSWER:
John Maloney - JMPE - 3/19/13
It is acceptable to use the same cover for these receptacles as what is shown on Detail E,
sheet E-002 for the roof receptacles.

RFI 283

ORDIZ MELBY
ARCHITECTS, INC.

5500 MING AVENUE SUITE 280
BAKERSFIELD, CALIFORNIA 93309
TELEPHONE (661) 832-5258
FACSIMILE (661) 832-4291

REGISTERED ARCHITECT
DANNY E. ORDIZ, AIA
ARCHITECT C-14,728
WILLIAM J. MELBY, AIA
ARCHITECT C-16,885
CONSULTANT

IDENTIFICATION STAMP
DIVISION OF STATE ARCHITECT
OFFICE OF REGULATION SERVICES
APPL # 02-112027
FILE # 15-6
AC [Signature] SS [Signature]
DATE 1/18/12

NEW ELEMENTARY SCHOOL
9801 HIGHLAND KNOLLS DR
BAKERSFIELD
CALIFORNIA
93306

NEW MIDDLE SCHOOL
4115 VINELAND ROAD
BAKERSFIELD
CALIFORNIA
93306

FOR:
BAKERSFIELD CITY SCHOOL
DISTRICT
1300 BAKER STREET
BAKERSFIELD
CALIFORNIA
93305

JMPE
ELECTRICAL ENGINEERING
L I C E N S E D
C A REGISTERED PROFESSIONAL ENGINEER
10294
5500 MING AVENUE, SUITE 280
BAKERSFIELD, CA 93309
TEL: (661) 832-5258
FAX: (661) 832-4291
WWW.JMPE.NET

MARK	DATE	DESCRIPTION
△		
△		
△		
△		

JOB NUMBER:
20101244
CAD DRAWING FILE:
DRAWN BY:
AC
CHECKED BY:
PH
CHECK AND VERIFY ALL DIMENSIONS BEFORE
PROCEEDING WITH THE WORK.
REPORT DISCREPANCIES TO THE ARCHITECT.
THE DRAWINGS, IDEAS, AND DESIGNS
REPRESENTED ON THIS SHEET ARE THE
PROPERTY OF THE ARCHITECT.
COPYRIGHT
ORDIZ MELBY ARCHITECTS, INC. 2010
SHEET TITLE

DETAILS

SHEET IDENTIFICATION NUMBER
E-002
SHEET OF

TEL: 02-112027 DATE: 12-14-11 AC