

IDENTIFICATION STAMP  
 DIVISION OF STATE ARCHITECT  
 OFFICE OF REGULATION SERVICES  
 APPL. #02-112027  
 FILE #: 15-6  
 AC. FILE # 15-6 SS G  
 DATE JAN 20 2012  
 PTN # 63321-112

**PARTIAL PLUMBING FLOOR PLAN - BUILDING A**  
 REF: 150  
 BASKI MECH. ENGINEERING  
 CALIFORNIA 93305

**RFI 148**  
 REQUEST: RFI 00142 response @ Building A and B. The proposed drainage cannot be met. The specified EDF is a dual height fixture with fixed bowl and bubbler height. The EDF can be set @ 24" clear knee space with a bubbler height of 29.75".  
 ANSWER: Joe Covington - CMA - 9/21/12  
 Yes, this installation is acceptable.

MARK	DATE	DESCRIPTION
△		
△		
△		
△		

20010244  
 CAD DRAWING FILE  
 DRAWN BY: KW  
 CHECKED BY: MB  
 SHEET TITLE: PLUMBING FLOOR PLAN BUILDING A  
 SHEET IDENTIFICATION NUMBER: P-121A

**C.W. CALC'S. (BUILDING "A")**

20 K.C.'s	5	FIXTURE UNITS	= 100
11 LAV's	4	FIXTURE UNITS	= 20
9 H.S.'s	1	FIXTURE UNITS	= 11
7 SINKS	1.5	FIXTURE UNITS	= 10.5
1 M.S.	3	FIXTURE UNITS	= 3
2 K.S.'s	3	FIXTURE UNITS	= 6
1 H.B.	2.5	FIXTURE UNITS	= 2.5
8 H.B.'s	2	FIXTURE UNITS	= 8
1 D.A.	3	FIXTURE UNITS	= 3
<b>TOTAL</b>			<b>= 175</b>

85 G.P.M. = 3" @ 3.4 F.P.S. / 1.0 P.S.I. LOSS / 100'

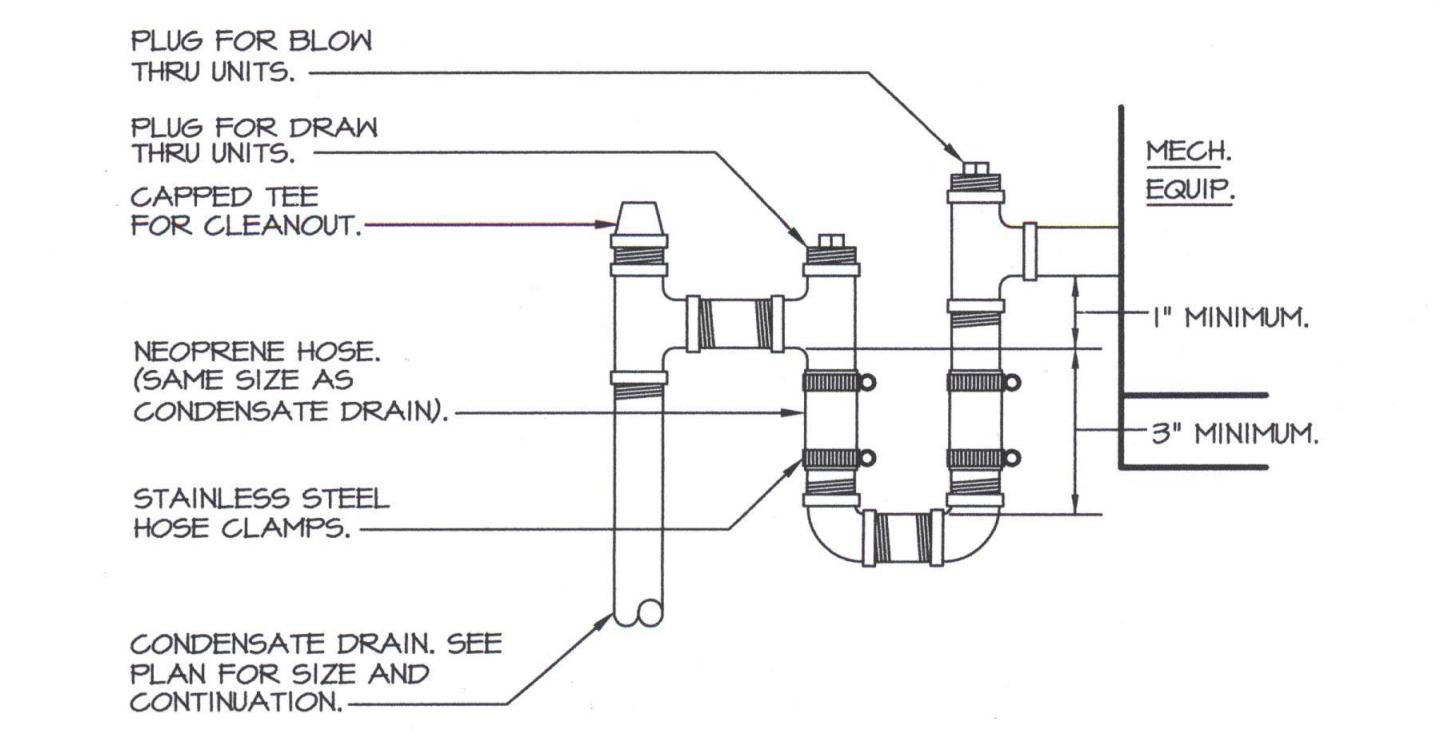
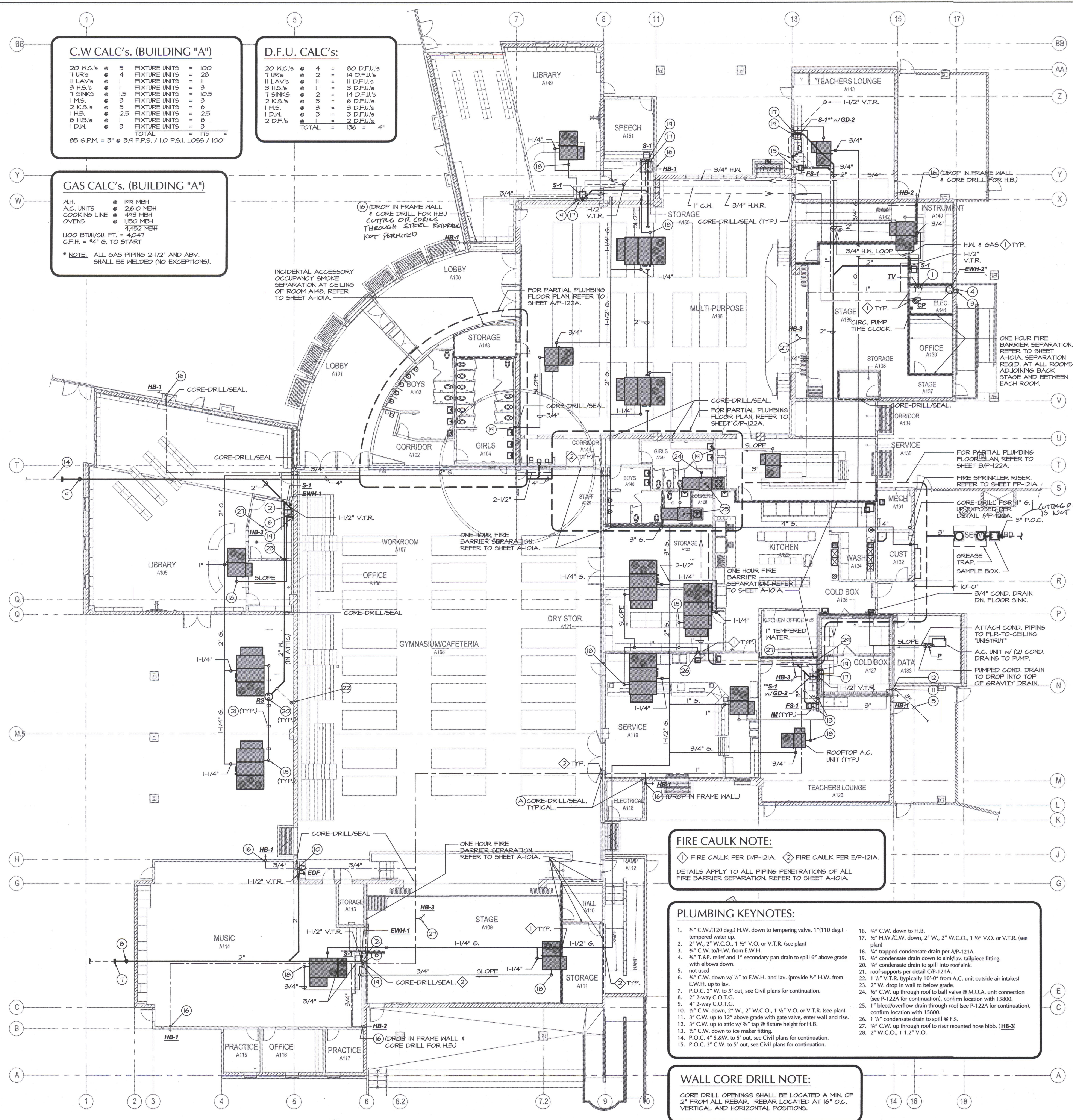
**D.F.U. CALC'S:**

20 K.C.'s	4	= 80 D.F.U.'s	
11 LAV's	2	= 14 D.F.U.'s	
9 H.S.'s	1	= 9 D.F.U.'s	
7 SINKS	2	= 14 D.F.U.'s	
1 M.S.	3	= 3 D.F.U.'s	
2 K.S.'s	3	= 6 D.F.U.'s	
1 H.B.	3	= 3 D.F.U.'s	
2 D.F.U.'s	1	= 2 D.F.U.'s	
<b>TOTAL</b>			<b>= 136 @ 4"</b>

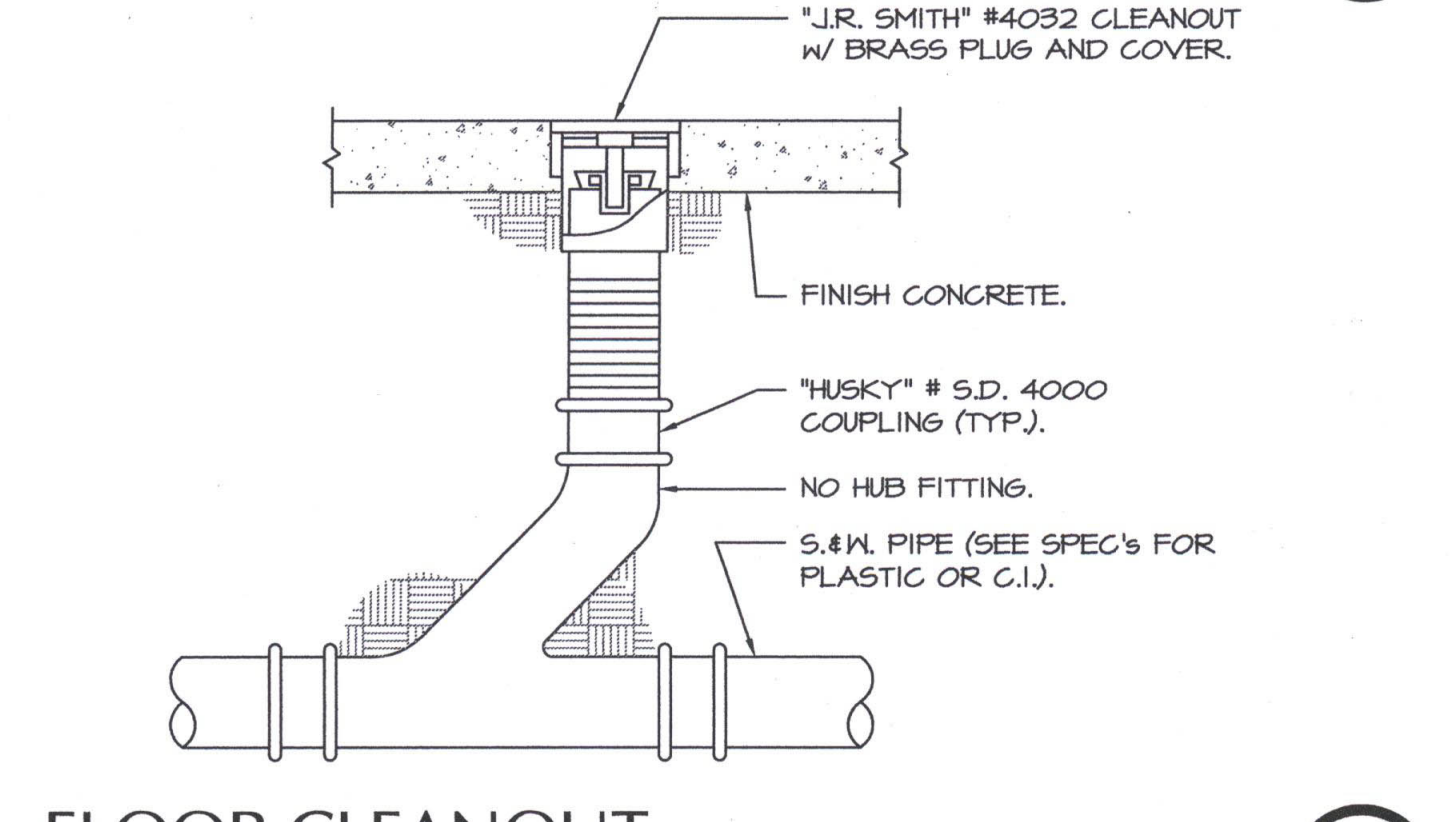
**GAS CALC'S. (BUILDING "A")**

M.H.	199	MEH
A.C. UNITS	2610	MEH
COOKING LINE	459	MEH
OVENS	1150	MEH
<b>4,852</b>		
1100 BTU/CCU. FT. = 4,041		
C.F.H. = 44' G. TO START		

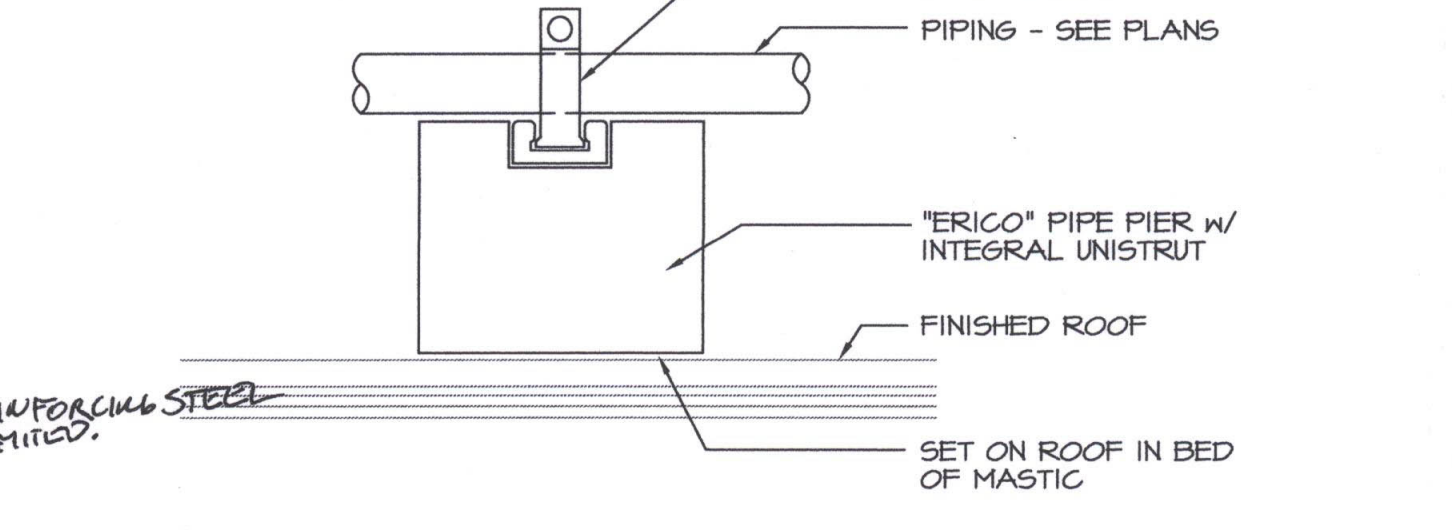
\* NOTE: ALL GAS PIPING 2-1/2" AND A.B.V. SHALL BE WELDED (NO EXCEPTIONS).



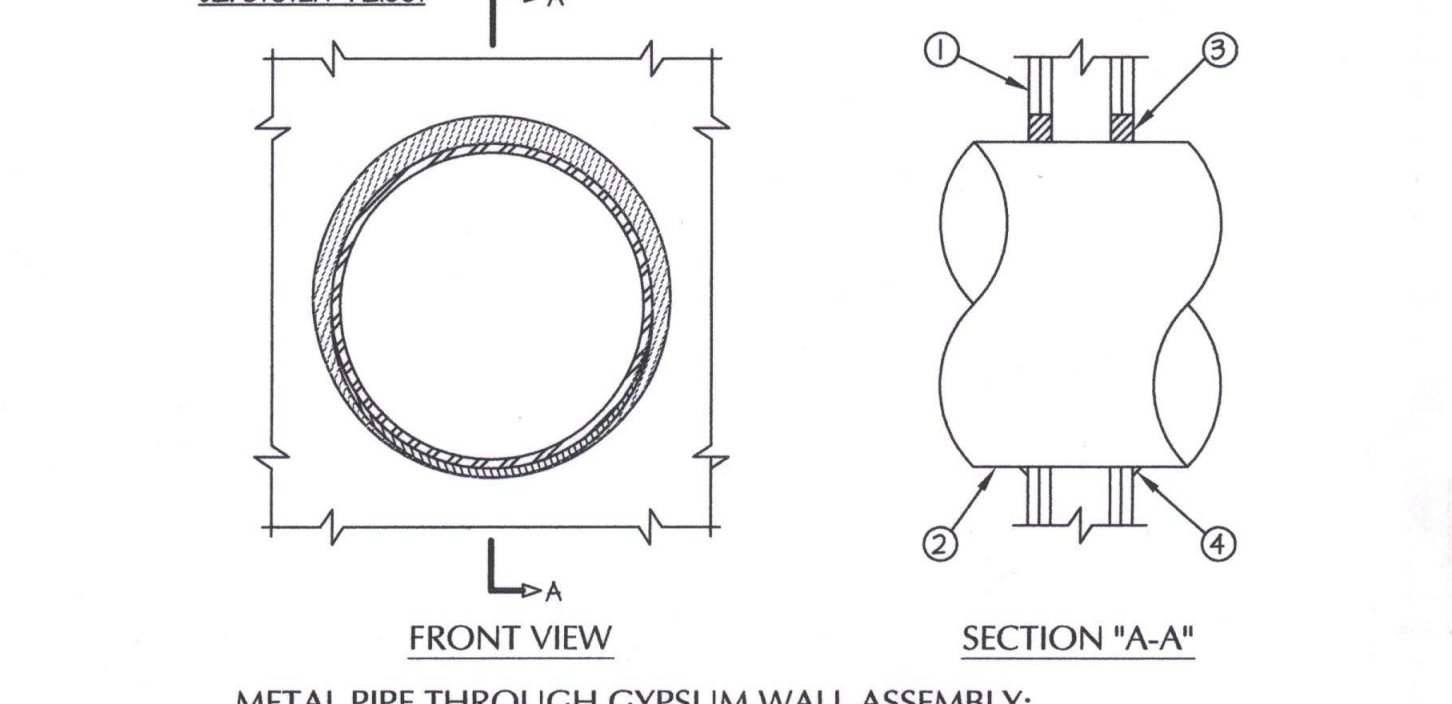
**CONDENSATE DRAIN CONNECTION**  
 SCALE: N.T.S.



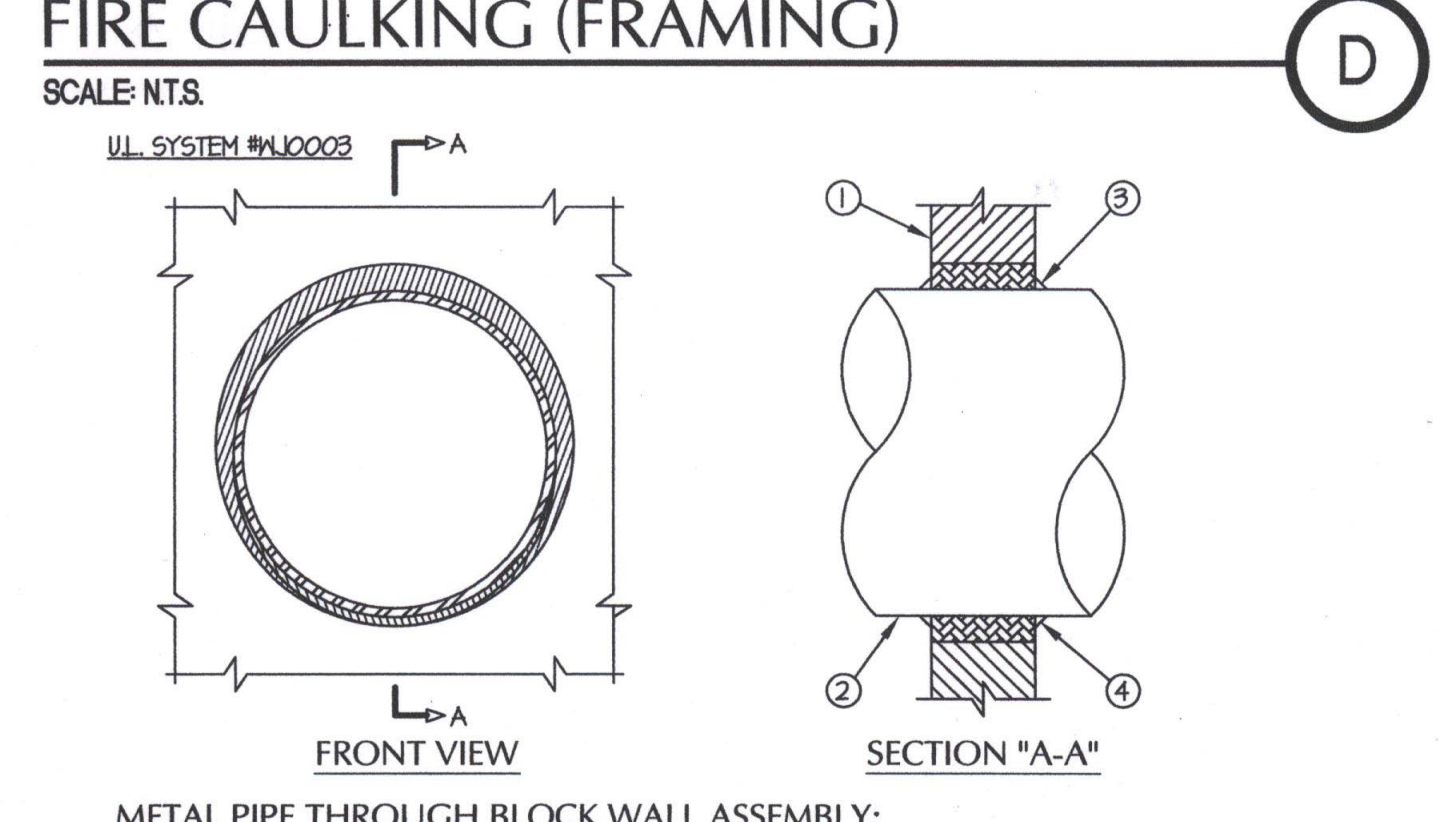
**FLOOR CLEANOUT**  
 SCALE: N.T.S.



**ROOF PIPE SUPPORT**  
 SCALE: N.T.S.



**FIRE CAULKING (FRAMING)**  
 SCALE: N.T.S.



**FIRE CAULKING (MASONRY)**  
 SCALE: N.T.S.

**FIRE CAULK NOTE:**  
 FIRE CAULK PER D/P-121A. FIRE CAULK PER EP-121A.  
 DETAILS APPLY TO ALL PIPING PENETRATIONS OF ALL FIRE BARRIER SEPARATION. REFER TO SHEET A-101A.

**PLUMBING KEYNOTES:**

- 1/2" C.W. (120 deg.) H.W. down to tempering valve, 1" (110 deg.) tempered water up.
- 2" W., 2" W.C.O., 1 1/2" V.O. or V.T.R. (see plan)
- 3/4" C.W. to H.W. from E.W.H.
- 1/2" T.S.P. relief and 1" secondary pan drain to spill 6" above grade with elbows down.
- not used
- 3/4" C.W. down w/ 1/2" to E.W.H. and lav. (provide 1/2" H.W. from E.W.H. up to lav.)
- P.O.C. 2" W. to 5' out, see Civil plans for continuation.
- 2" 2-way C.O.T.C.
- 4" 2-way C.O.T.C.
- 1/2" C.W. down, 2" W., 2" W.C.O., 1 1/2" V.O. or V.T.R. (see plan).
- 3" C.W. up to 12" above grade with gate valve, enter wall and rise.
- 3" C.W. up to attic w/ 3/4" tap @ fixture height for H.B.
- 1/2" C.W. down to ice maker fitting.
- P.O.C. 4" S.W. to 5' out, see Civil plans for continuation.
- P.O.C. 3" C.W. to 5' out, see Civil plans for continuation.
- 1/2" C.W. down to H.B.
- 1/2" H.W./C.W. down, 2" W., 2" W.C.O., 1 1/2" V.O. or V.T.R. (see plan)
- 3/4" trapped condensate drain per A/P-121A.
- 3/4" condensate drain down to sink/lav. tailpiece fitting.
- 3/4" condensate drain to spill into roof sink.
- roof supports per detail CP-121A.
- 1 1/2" V.T.R. (typically 10'-0" from A.C. unit outside air intakes)
- 2" W. drop in wall to below grade.
- 1/2" C.W. up through roof to ball valve @ M.U.A. unit connection (see P-122A for continuation), confirm location with 15800.
- 1" bleed/overflow drain through roof (see P-122A for continuation), confirm location with 15800.
- 1 1/2" condensate drain to spill @ F.S.
- 1/2" C.W. up through roof to riser mounted hose bibb. (HB-3)
- 2" W.C.O., 1 1/2" V.O.

**WALL CORE DRILL NOTE:**  
 CORE DRILL OPENINGS SHALL BE LOCATED A MIN. OF 2" FROM ALL REBAR. REBAR LOCATED AT 16" O.C. VERTICAL AND HORIZONTAL POSITIONS.

**PLUMBING FLOOR PLAN - BUILDING A**  
 SCALE: 3/32"=1'-0"  
 \* MOUNT PER DETAIL D/P-122A, PIPE & CONTROL PER DETAIL EP-122A  
 \*\* PROVIDE D.M. FITTINGS AS REQUIRED.

**MDC**  
 MECHANICAL DESIGN CONCEPTS, INC.  
 5500 Ming Ave, Suite 251 Bakersfield, CA 93309  
 Tel #: (661) 397-2114 Fax #: (661) 397-2114  
 Job: 09091

